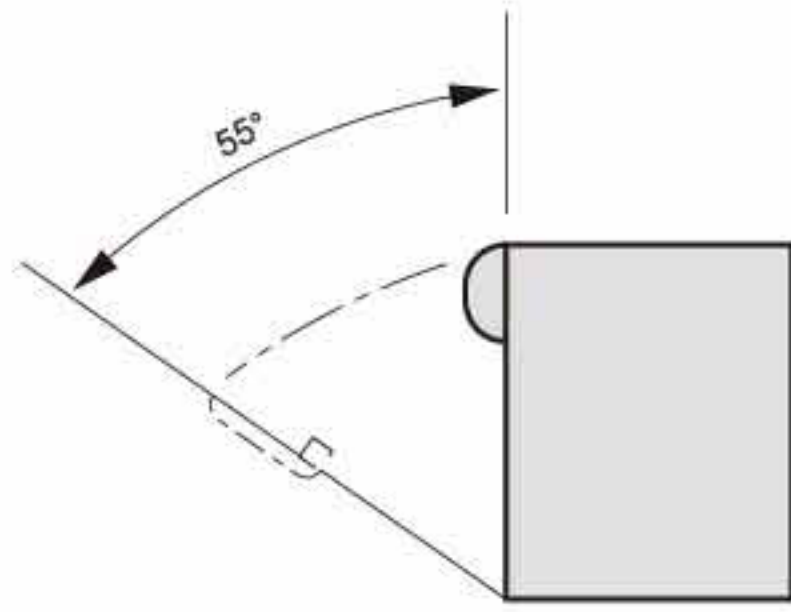


Tilt Box

- Tilt box is a new design product which is made of high-density polyethylene (HDPE).
- The front of the box is inverted (opening angle 55°), smoothly pulled out and closed.
- Clear view, with exhibition storage function, With label groove, effectively classify and manage the storage items.
- Hanging hole design, can be used singly or wall mounted and fixed.
- Special size design, free combination, which can be combined into box group storage cabinet, storage cart.



Tilt Box:



Size	W82xD65xH71mm	W101xD97xH108mm	W128xD128xH133mm	W177xD147xH161mm
------	---------------	-----------------	------------------	------------------

Tilt Box Permutation:



Model	T6
Size	W600xD91xH113mm

Model	T5
Size	W600xD133xH164mm



Model	T4
Size	W600xD168xH207mm

Model	T3
Size	W600xD197xH240mm

Tilt Box

Desktop Style:



Collocation
T5x2

Model	CT5-2
Size	W600xD200xH328mm



Collocation
T4x2

Model	CT4-2
Size	W600xD160xH414mm

Tilt Box Shelf:



Collocation
T6x2
T5x2
T4x2
Single sided storage

Model	CTK-1
Size	W600xD210xH968mm

Tilt Box Storage cabinet:



Collocation
T6x4
T5x8
T4x4
T3x2
Single sided storage

Model	CTH-1
Size	W1260xD320xH1536mm

Tilt Box Cart:



Collocation
T6x4
T5x4
T4x6
Double handle
Double sided storage

Model	CTW-1
Size	W777xD600xH1310mm



Collocation
T6x4
T5x6
T4x2
T3x2
Double handle
Double sided storage

Model	CTW-2
Size	W777xD600xH1310mm