

2023-2024

POOL & SPA

POOL & SPA

POOL SPA EQUIPMENT CO.,LTD

2023-2024



ABOUT US

G COMPANY was founded in 1999, and our factory G Equipment Co., Ltd. was established in 2011. We are specializing in Swimming Pool Equipment, Outdoor Spa , Steam and Sauna Accessories.

Our factory is located in City, Guangdong Province, it is covering 23,000 square meters Area, our company was recognized as a high-tech enterprise from 2018 and hold 32 patents.

Our company owns and we passed ISO9001, CE, GS ,SAA,SON certification; Our products are exported to Europe, America, the Middle East, Africa, Asia and all over the world.

Our factory has automated production equipment, adopts advanced technology and equipment both domestically and internationally, and develops and launches various unique and innovative products to meet the needs of different markets.

Our company adheres to the business philosophy of "excellence, integrity, innovation, and win-win" to provide customers with the most professional equipment such as swimming pools and SPAs in the industry. Continuously building and establishing industry renowned brands and corporate image. Sincerely hope the common development of all partners.

CONTENT

Wall-mounted Filter	01 - 11	Pool Surrounding Accessories	71 - 80
Inground Filter	12 - 24	Ladder Series	81 - 84
Sand Filter Series	25 - 32	Cleaning Equipment	85 - 89
Pump Series	33-40	Sauna Series	90 - 102
Underwater Light Series	41 - 50	Steam Room Series	103 - 107
SPA Series	51 - 59	Leisure Furniture Series	108 - 109
Machine Room Equipment	60 - 70	Spa Hot Tub Series	110 - 120



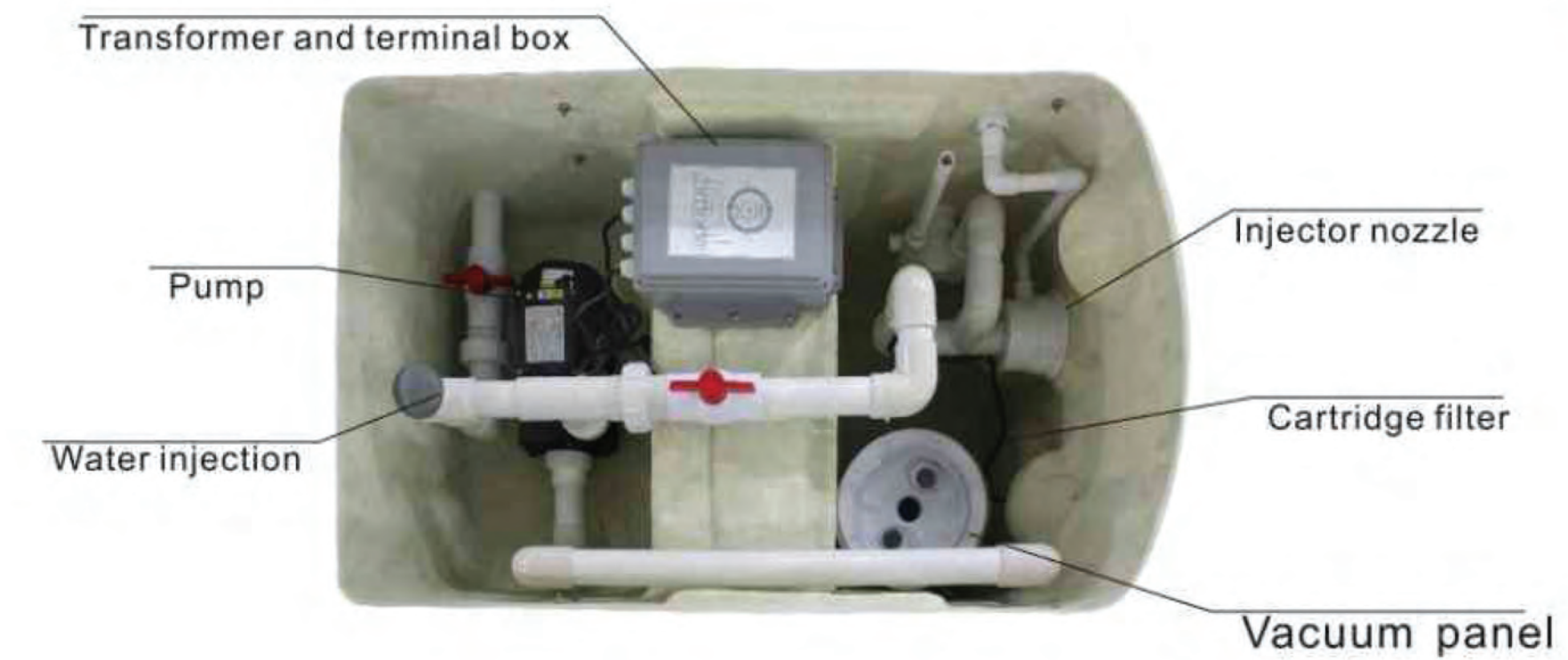
Certificate CN 08/32383

WALL-MOUNTED FILTER

Wall-mounted Filter

Model: PK8020 (Children Swimming Pool)

The enclosure of wall-mounted filter is made of high quality Acrylic, which is anti-acid, anti-fading and easy to clean. The integrated filter can install without machine room, with many advantages such as simple installation, convenient operation, excellent performance and saving construction cost. The filter is made according to Countries codes and standards.



TECHNICAL CHARACTERISTICS

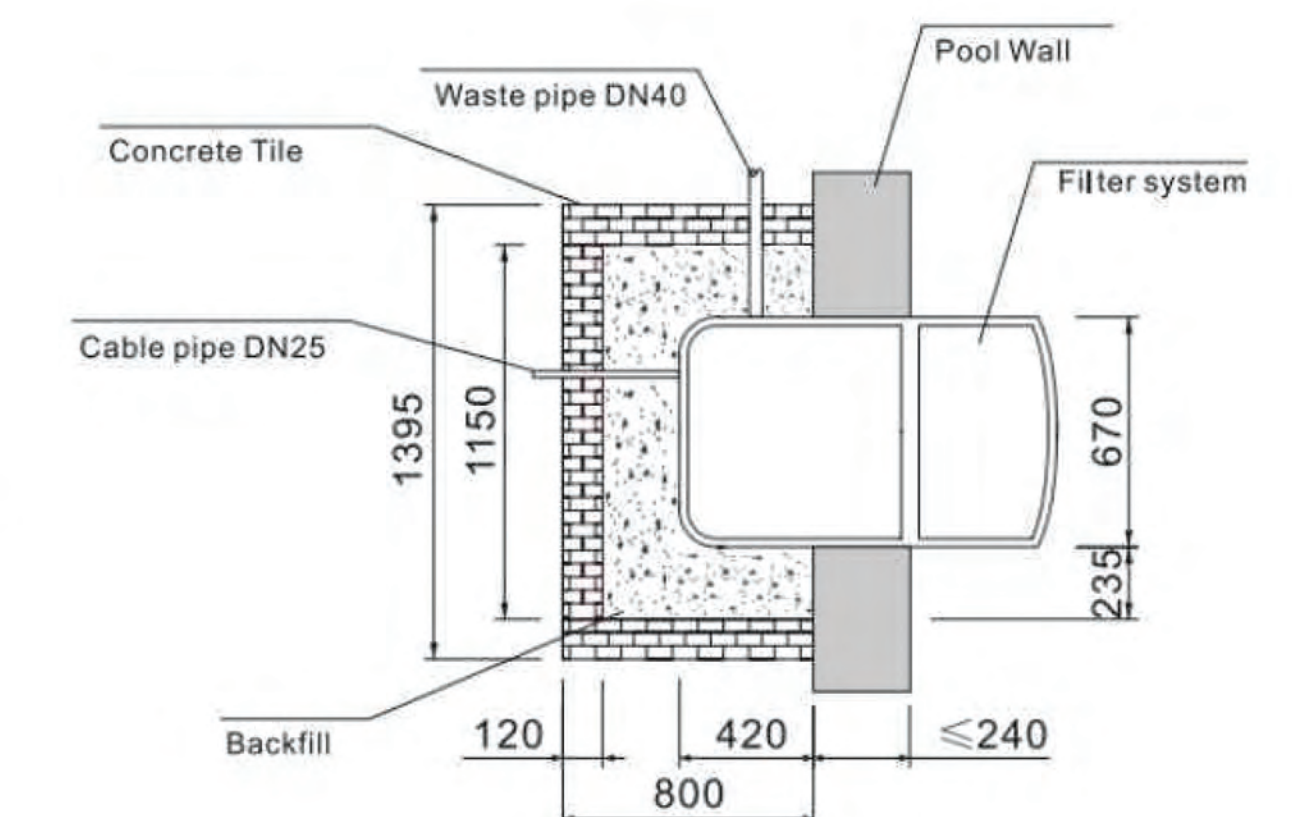
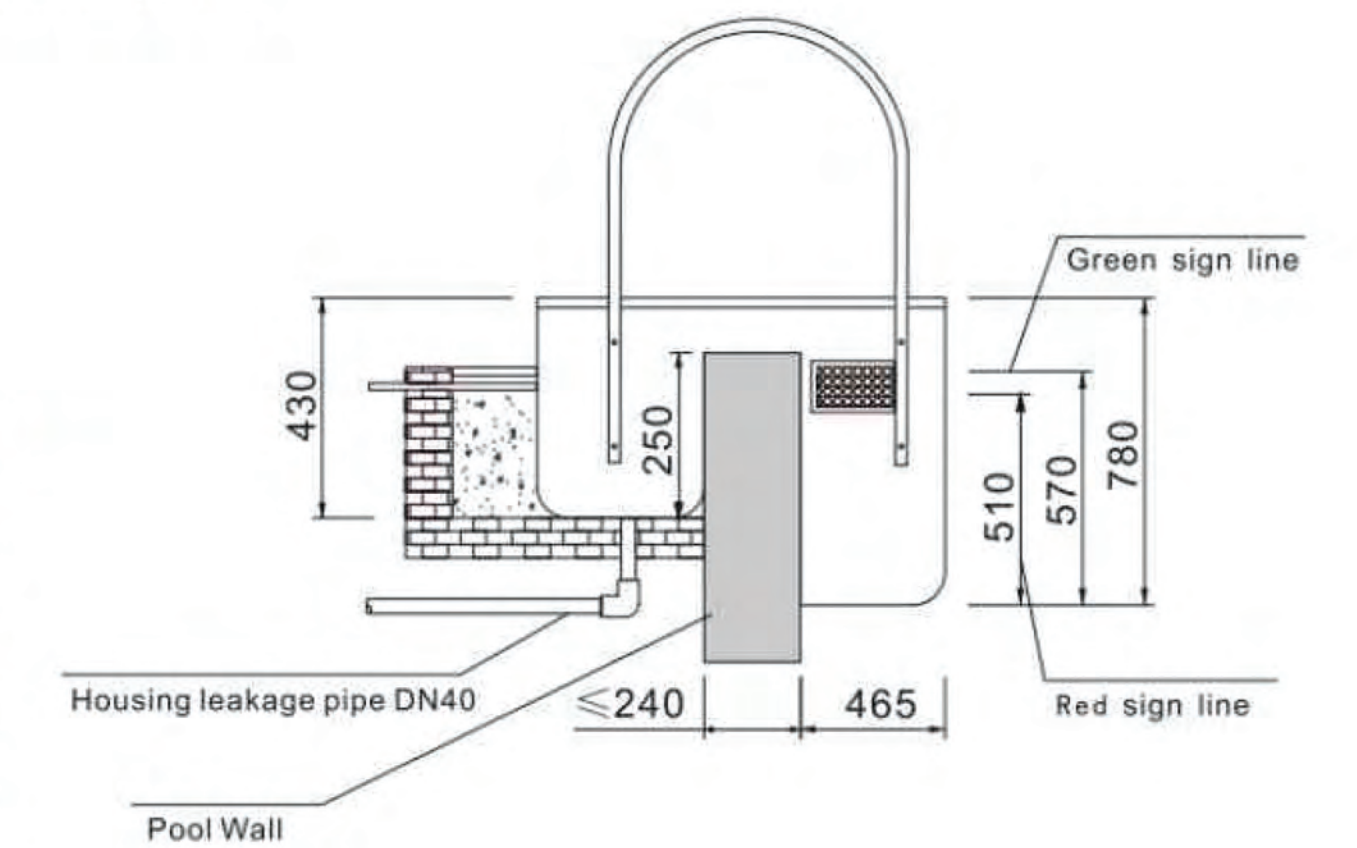
Dimensions	1110x 670x 780mm	
Flow rate	10m ³ /h	15m ³ /h
Voltage	220V / 50Hz or 60Hz	
Precision of filtration bag	≤5u	
Operating noise	≤50Db	
Material	Acrylic	
Installation	Wall mounted	

EQUIPMENT

Filtration Pump	1x1HP	1x1.5HP
Filtration basket with bag	1pc	
Chlorine feeder	1pc	
Light (warm white)	1x LED	12W/12V
Time controller	1pc	
Swim jet	2pcs	
Handle rail (S.S.)	2pcs	
Ozone	1pc	(options)

SYSTEM

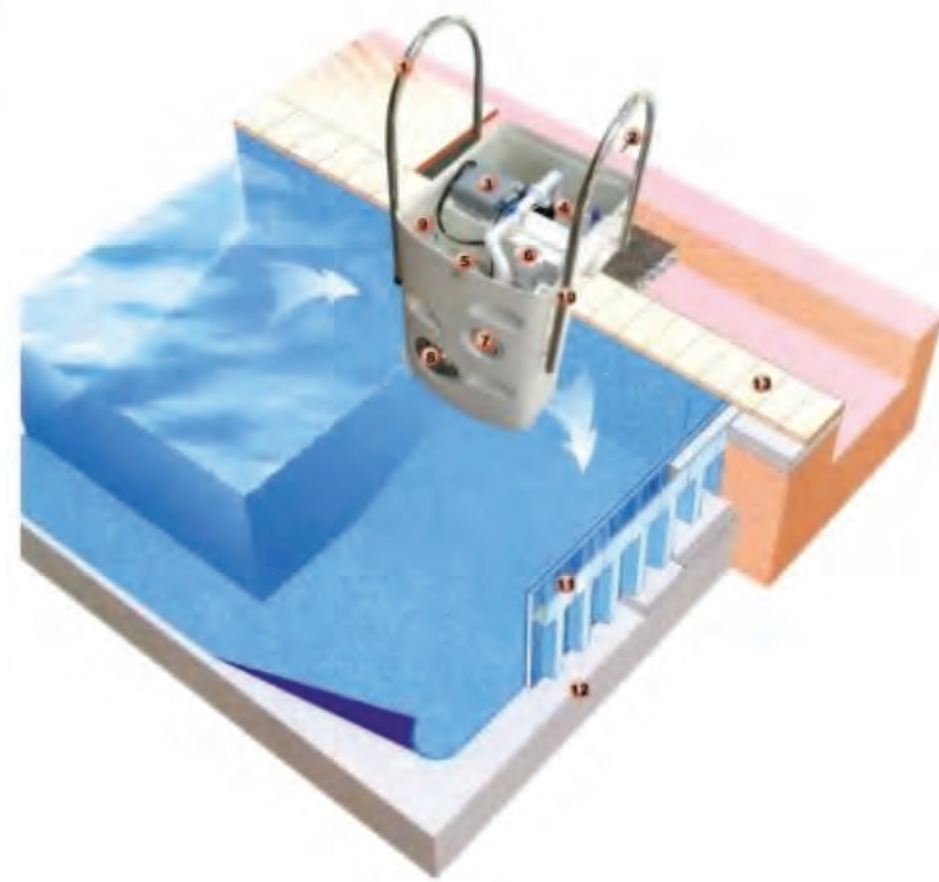
Filtration system	1pc
Disinfection system	1pc
Time control system	1pc
Circulation system	1pc
Lighting system	1pc



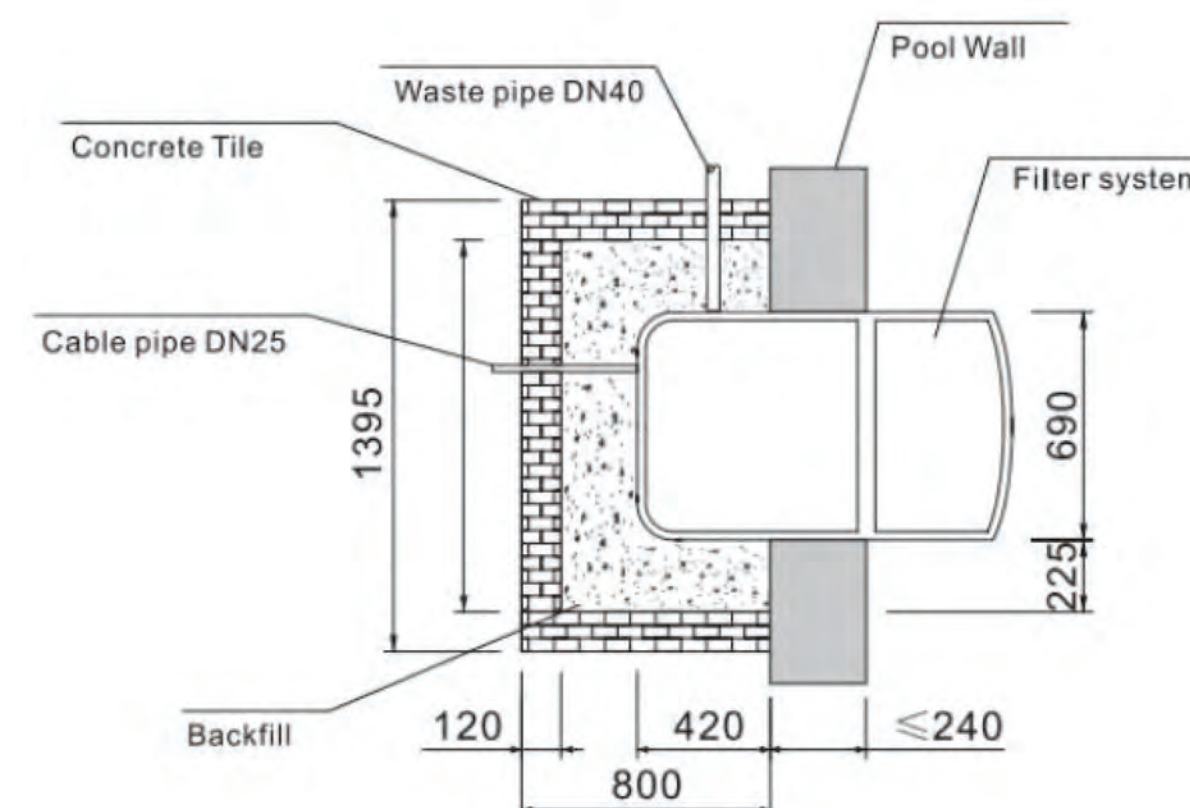
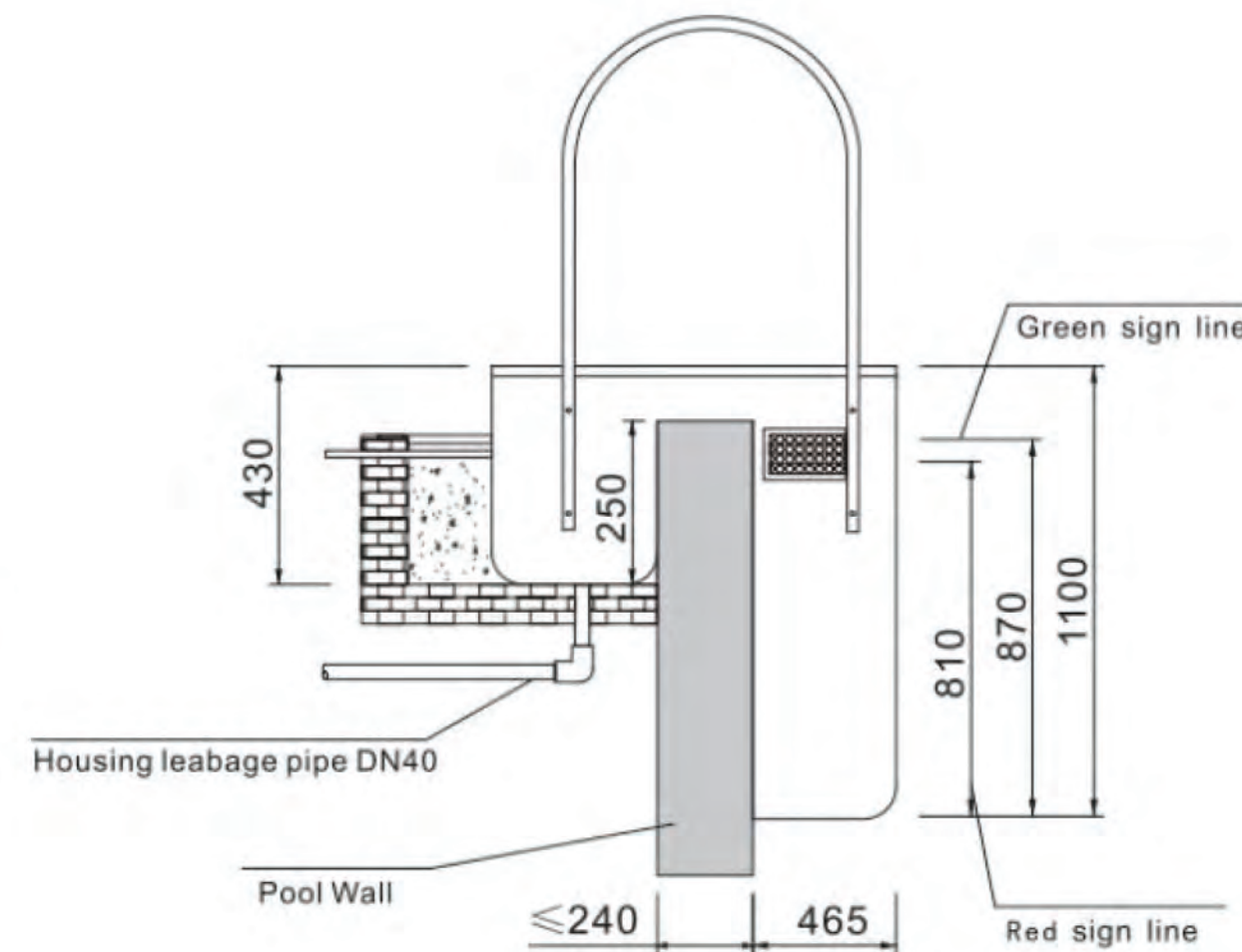
Wall-mounted Filter

Model: PK8025

The enclosure of wall-mounted filter is made of high quality Acrylic, which is anti-acid, anti-fading and easy to clean. The integrated filter can install without machine room, with many advantages such as simple installation, convenient operation, excellent performance and saving construction cost. The filter is made according to Countries codes and standards.



1. Stainless-steel hand rail
2. Cable pipe
3. Transformer and terminal box
4. Sewage pipe
5. Cartridge filter
6. Sterilizer
7. Injector nozzle
8. Swimming pool lamp
9. Water inlet
10. Water outlet
11. Hoarding
12. Concrete
13. Poolside tile



TECHNICAL CHARACTERISTICS

Dimensions	1120x 690x 1100mm
Flow rate	25m ³ /h
Voltage	220V / 50Hz or 60Hz
Precision of filtration bag	≤5u
Operating noise	≤50Db
Material	Acrylic
Installation	Wall mounted

EQUIPMENT

Filtration Pump	1x2HP
Filtration basket with bag	1pc
Chlorine feeder	1pc
Light (warm white)	1x LED 12W/12V
Time controller	1pc
Swim jet	2pcs
Handle rail (S.S.)	2pcs
Ozone	1pc (options)

SYSTEM

Filtration system	1pc
Disinfection system	1pc
Time control system	1pc
Circulation system	1pc
Lighting system	1pc

Wall-mounted Filter

Model: PK8022

The enclosure of wall-mounted filter is made of high quality ABS, which is anti-acid, anti-fading and easy to clean. The integrated filter can install without machine room, with many advantages such as simple installation, convenient operation, excellent performance and saving construction cost. The filter is made according to Countries codes and standards.



TECHNICAL CHARACTERISTICS

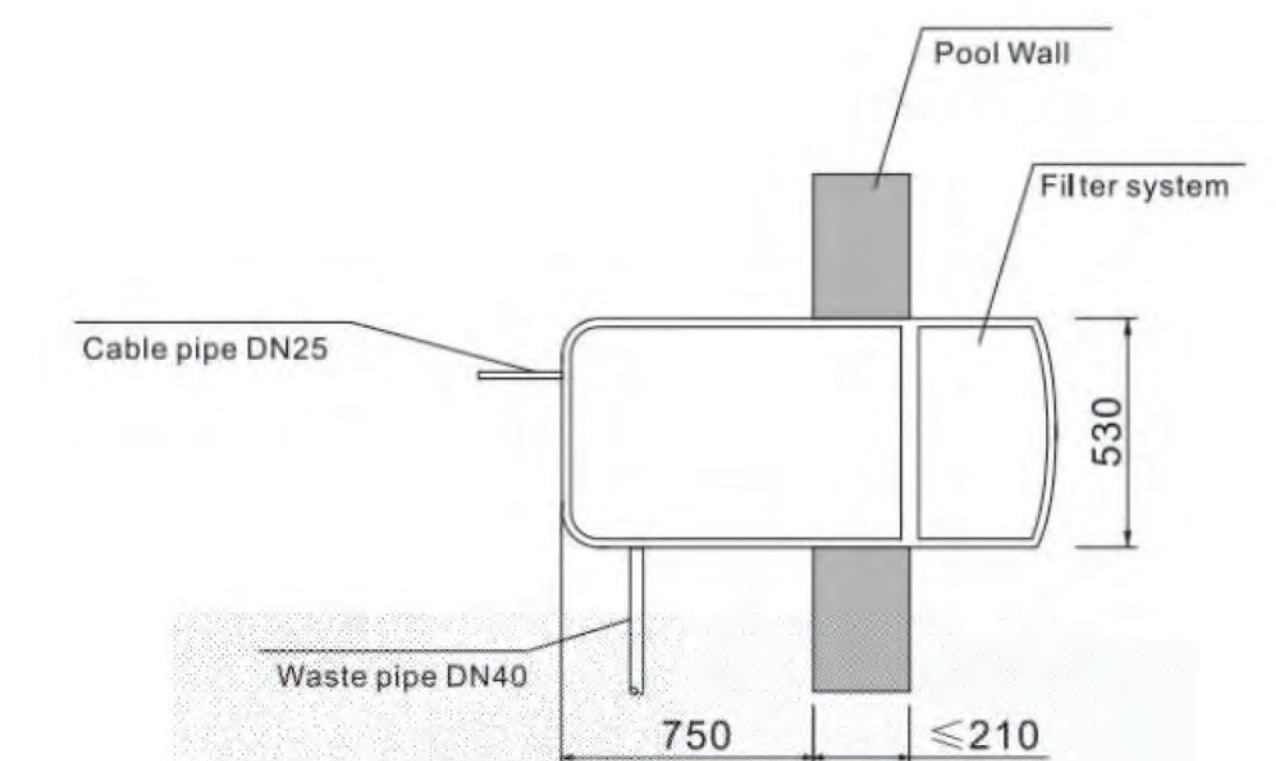
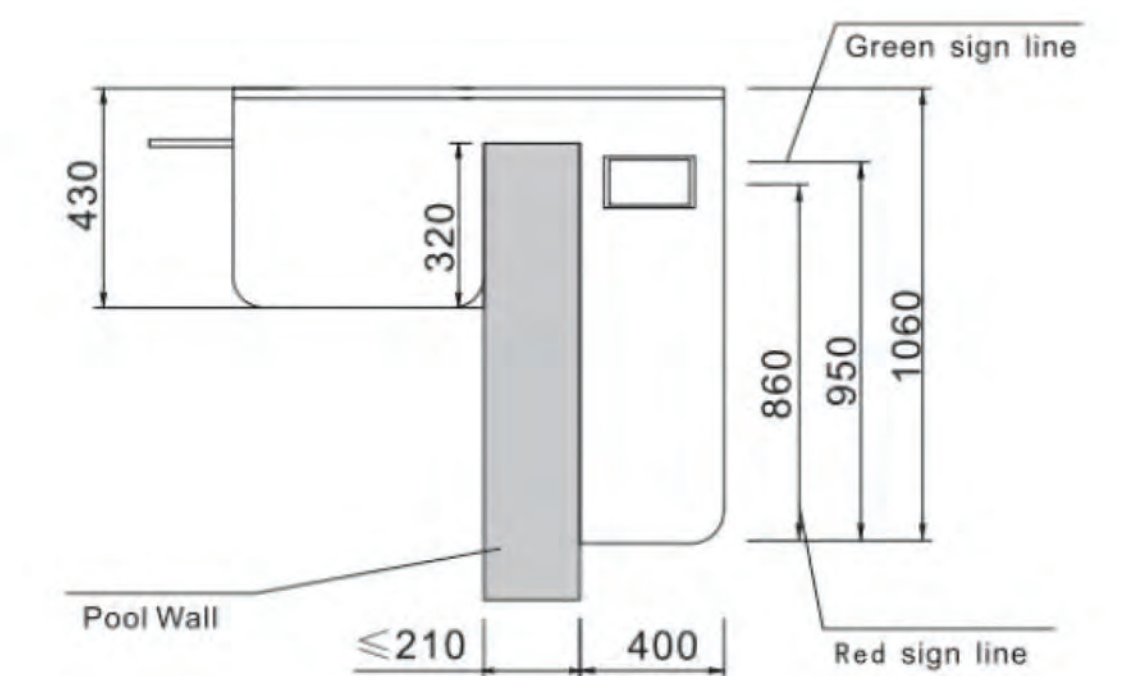
Dimensions	1450x530x1060mm
Flow rate	25m ³ /h
Voltage	220V / 50Hz or 60Hz
Precision of filtration bag	≤5u
Operating noise	≤50Db
Material	ABS
Installation	Wall mounted

EQUIPMENT

Filtration Pump	1x2HP
Filtration basket with bag	1pc
Light (warm white)	1x LED 12W/12V
Time controller	1pc
Swim jet	2pcs
Ozone	1pc

SYSTEM

Filtration system	1pc
Disinfection system	1pc
Time control system	1pc
Circulation system	1pc
Lighting system	1pc



Wall-mounted Filter

Model: PK8026

The enclosure of wall-mounted filter is made of high quality Acrylic, which is anti-acid, anti-fading and easy to clean. The integrated filter can install without machine room, with many advantages such as simple installation, convenient operation, excellent performance and saving construction cost. The filter is made according to Countries codes and standards.



TECHNICAL CHARACTERISTICS

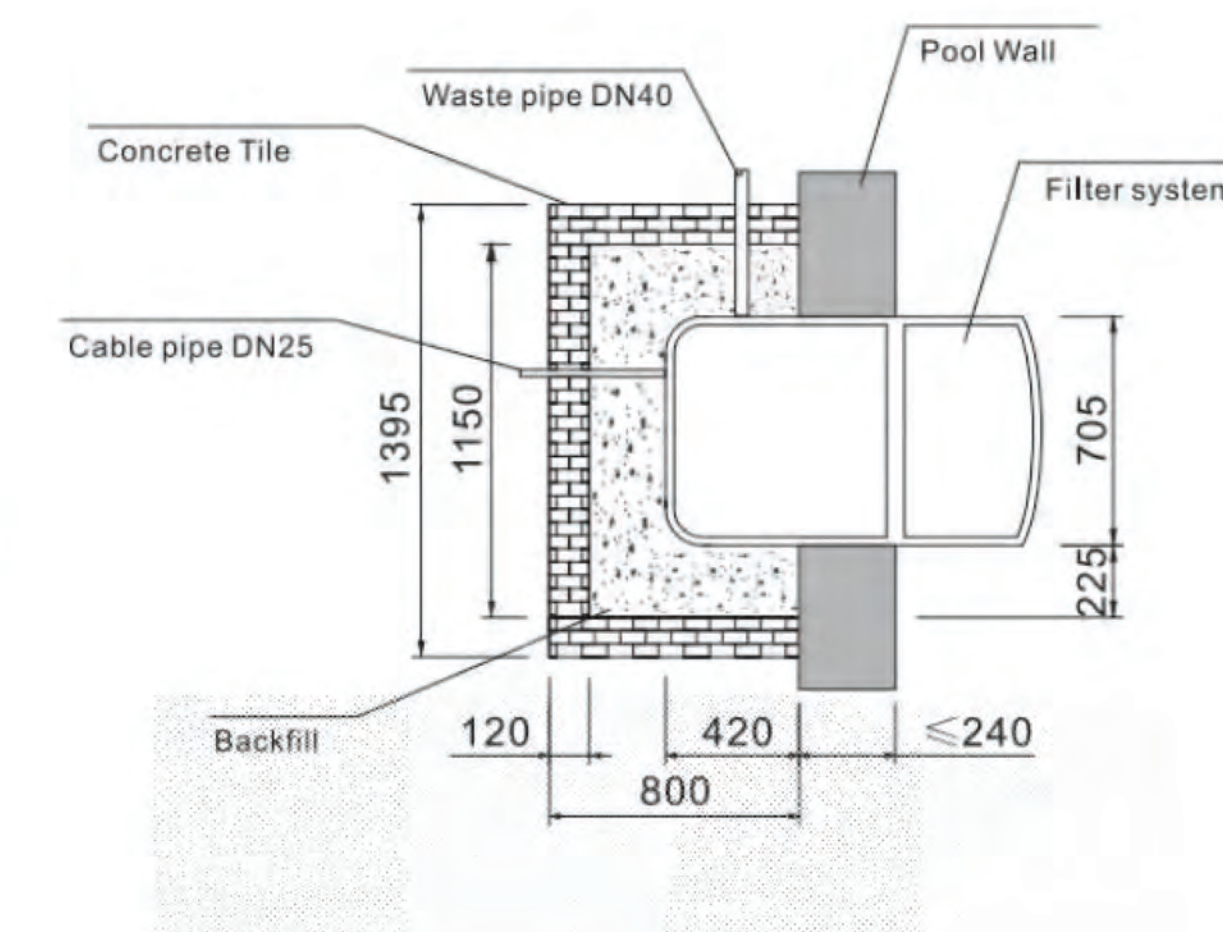
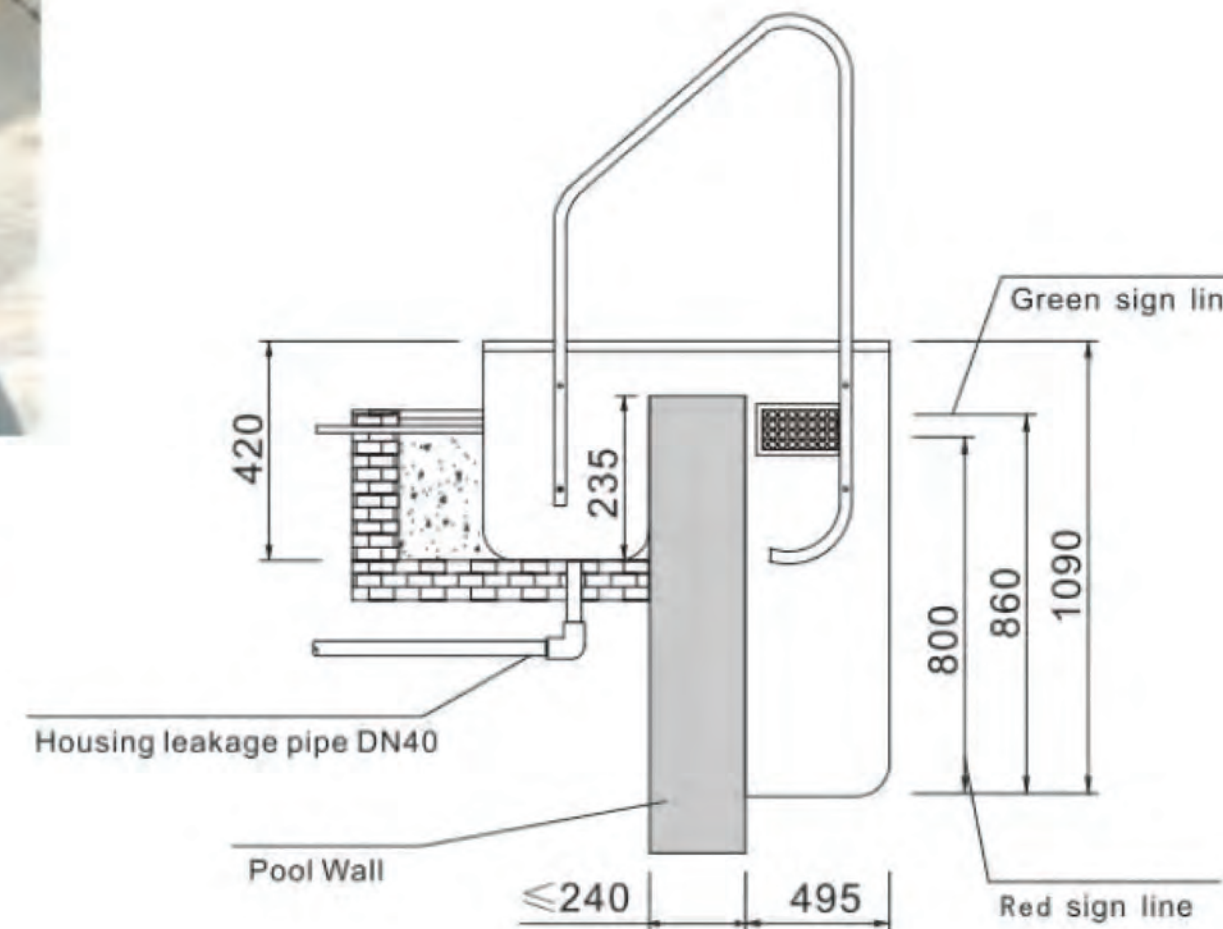
Dimensions	1150x 710x 1090mm	
Flow rate	25m ³ /h	35m ³ /h
Voltage	220V / 50Hz or 60Hz	
Precision of filtration bag	≤5u	
Operating noise	≤50Db	
Material	Acrylic	
Installation	Wall mounted	

EQUIPMENT

Filtration Pump	1x2HP	1x3HP
Filtration basket with bag	1pc	2pcs
Chlorine feeder	1pc	
Light (warm white)	1x LED	12W/12V
Time controller	1pc	
Swim jet	2pcs	
Handle rail (S.S.)	2pcs	
Ozone	1pc	(options)

SYSTEM

Filtration system	1pc
Disinfection system	1pc
Time control system	1pc
Circulation system	1pc
Lighting system	1pc



Wall-mounted Filter

Model: PK8028

The enclosure of wall-mounted filter is made of high quality Acrylic, which is anti-acid, anti-fading and easy to clean. The integrated filter can install without machine room, with many advantages such as simple installation, convenient operation, excellent performance and saving construction cost. The filter is made according to Countries codes and standards.



TECHNICAL CHARACTERISTICS

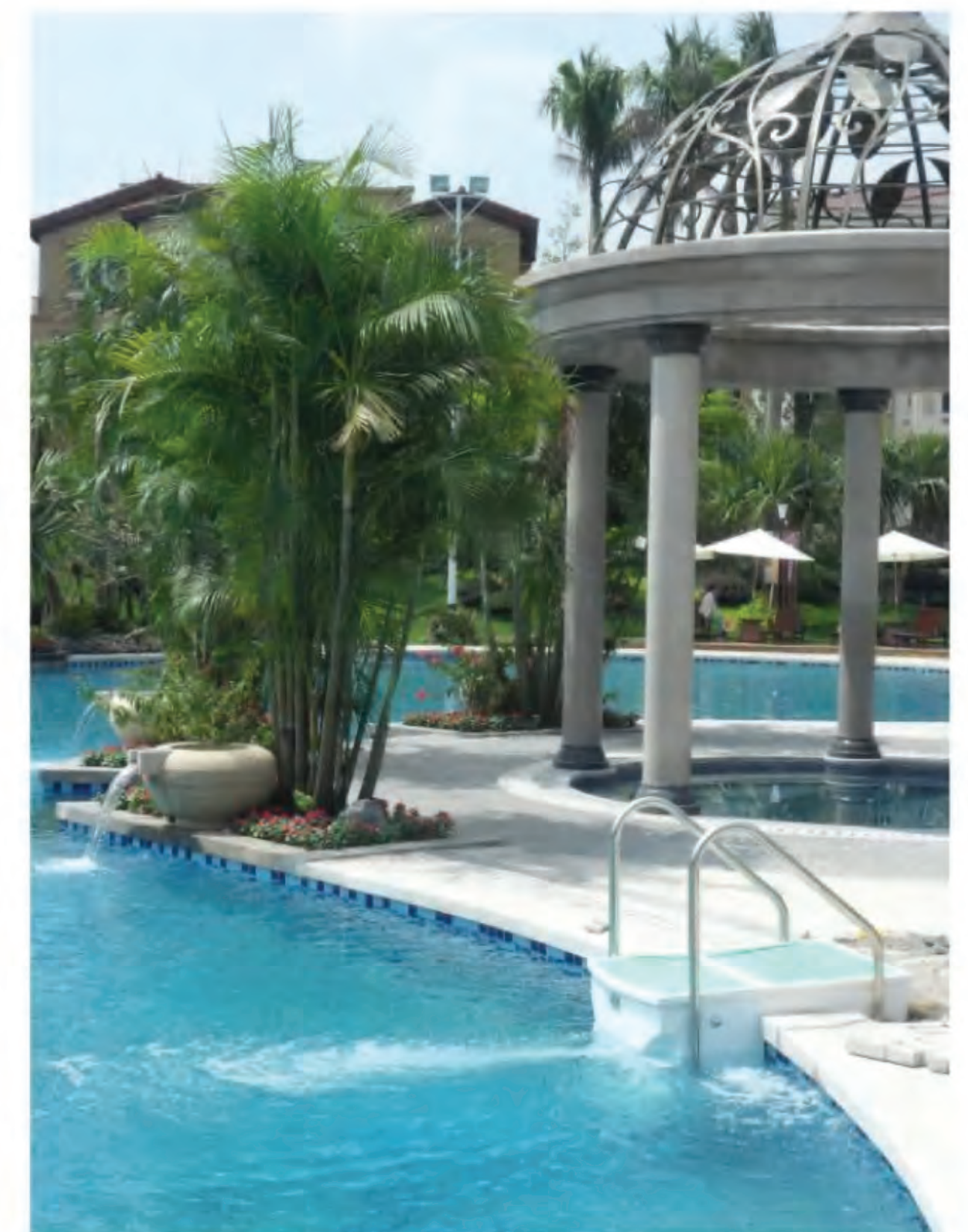
Dimensions	1150x 710x 1090mm	
Flow rate	25m ³ /h	35m ³ /h
Voltage	220V / 50Hz or 60Hz	
Precision of filtration bag	≤5u	
Operating noise	≤50Db	
Material	Acrylic	
Installation	Wall mounted	

EQUIPMENT

Filtration Pump	1x2HP	1x3HP
Filtration basket with bag	1pc	2pcs
Chlorine feeder	1pc	
Light (warm white)	1x LED	12W/12V
Time controller	1pc	
Swim jet	2pcs	
Handle rail (S.S.)	2pcs	
Ozone	1pc	(options)

SYSTEM

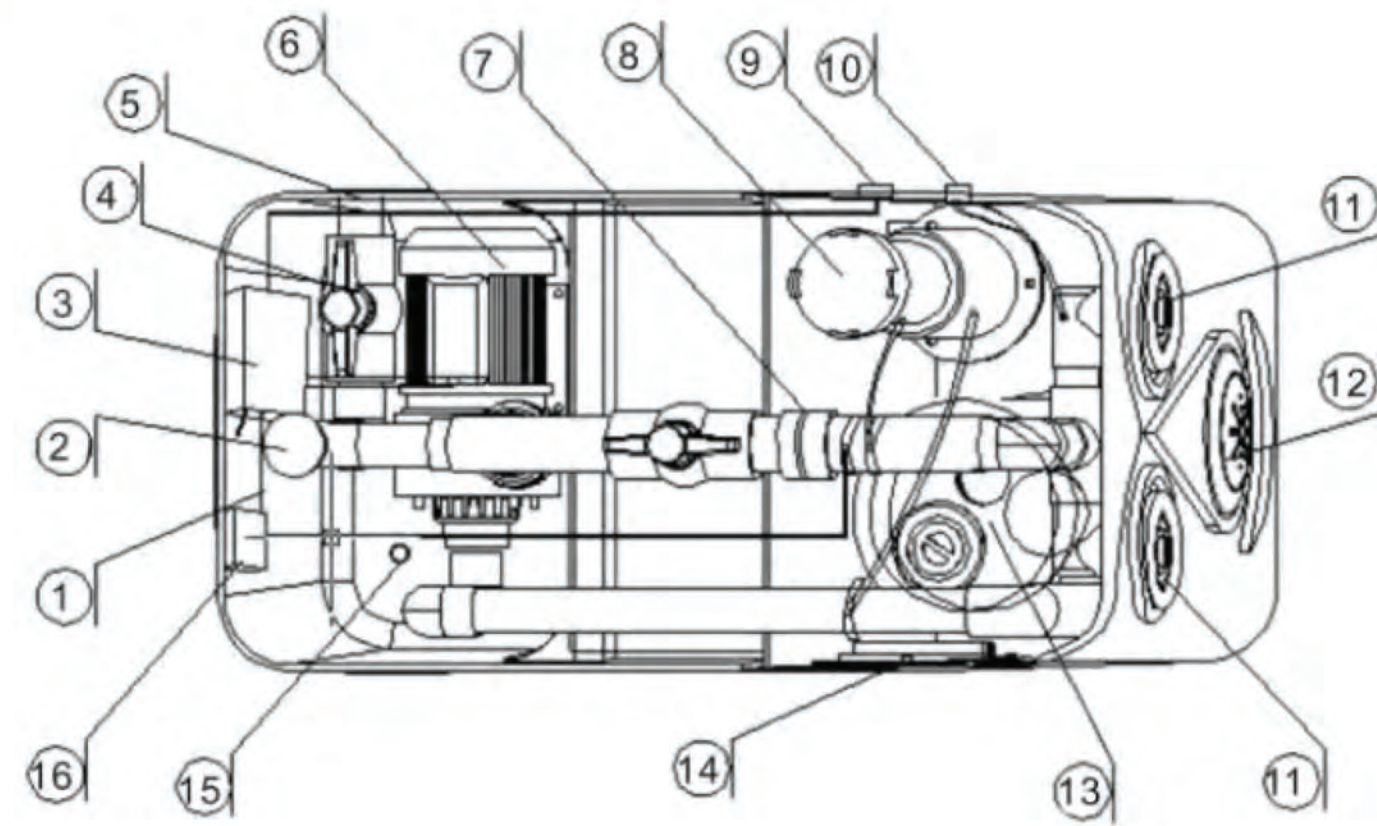
Filtration system	1pc
Disinfection system	1pc
Time control system	1pc
Circulation system	1pc
Lighting system	1pc



Wall-mounted Filter

Model: PK8023

The enclosure of wall-mounted filter is made of high quality Acrylic, which is anti-acid, anti-fading and easy to clean. The integrated filter can install without machine room, with many advantages such as simple installation, convenient operation, excellent performance and saving construction cost. The filter is made according to Countries codes and standards.



- | | |
|-------------------------------|-----------------------------|
| 1. filter shell | 10. air controller on/off |
| 2. water injector | 11. spa jet |
| 3. control box | 12. pool light |
| 4. drain valve | 13. water filter |
| 5. drain water pipe | 14. water inlet |
| 6. water pump | 15. pressure water purifier |
| 7. active connector | 16. Ozone disinfection |
| 8. chlorinator feeder | |
| 9. make air controller on/off | |

TECHNICAL CHARACTERISTICS

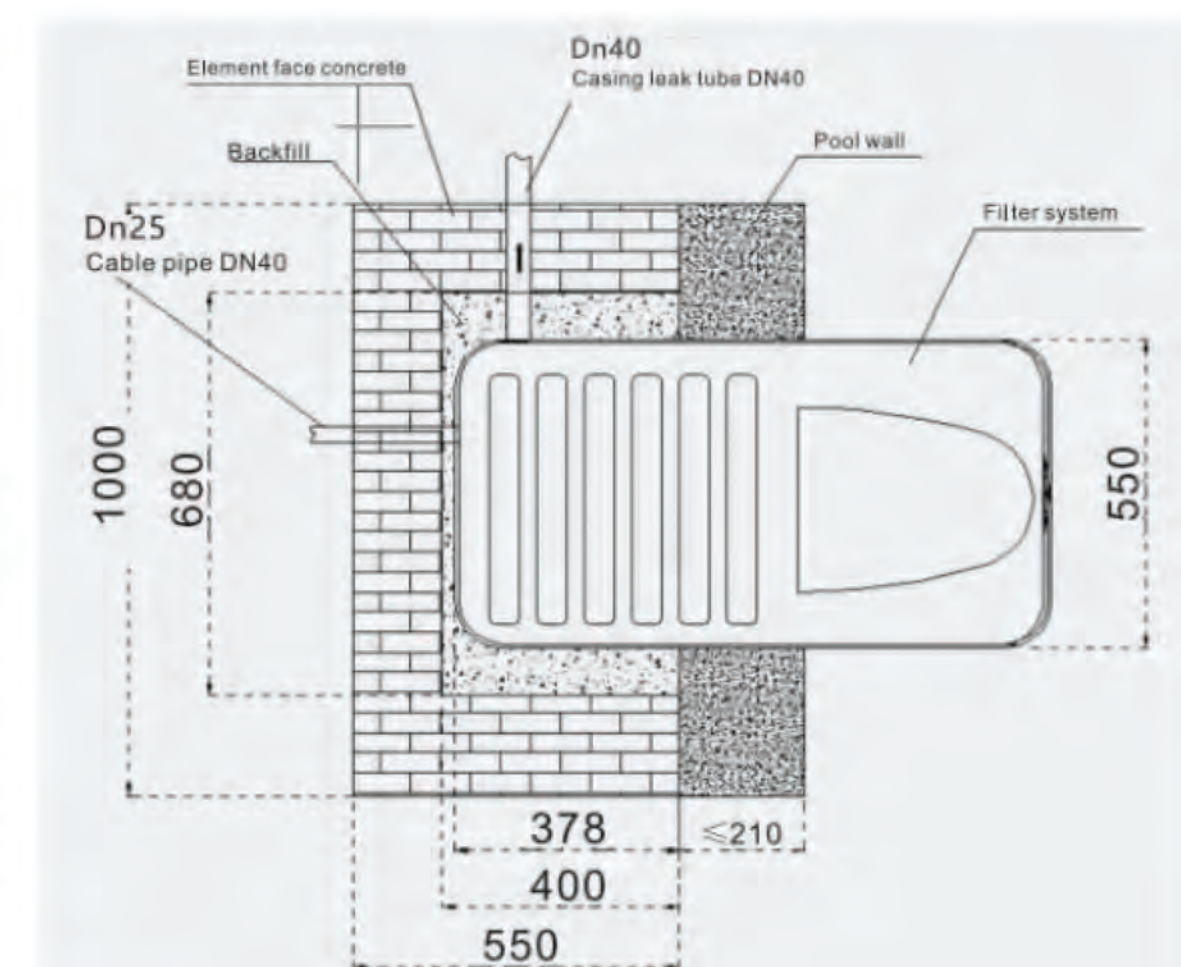
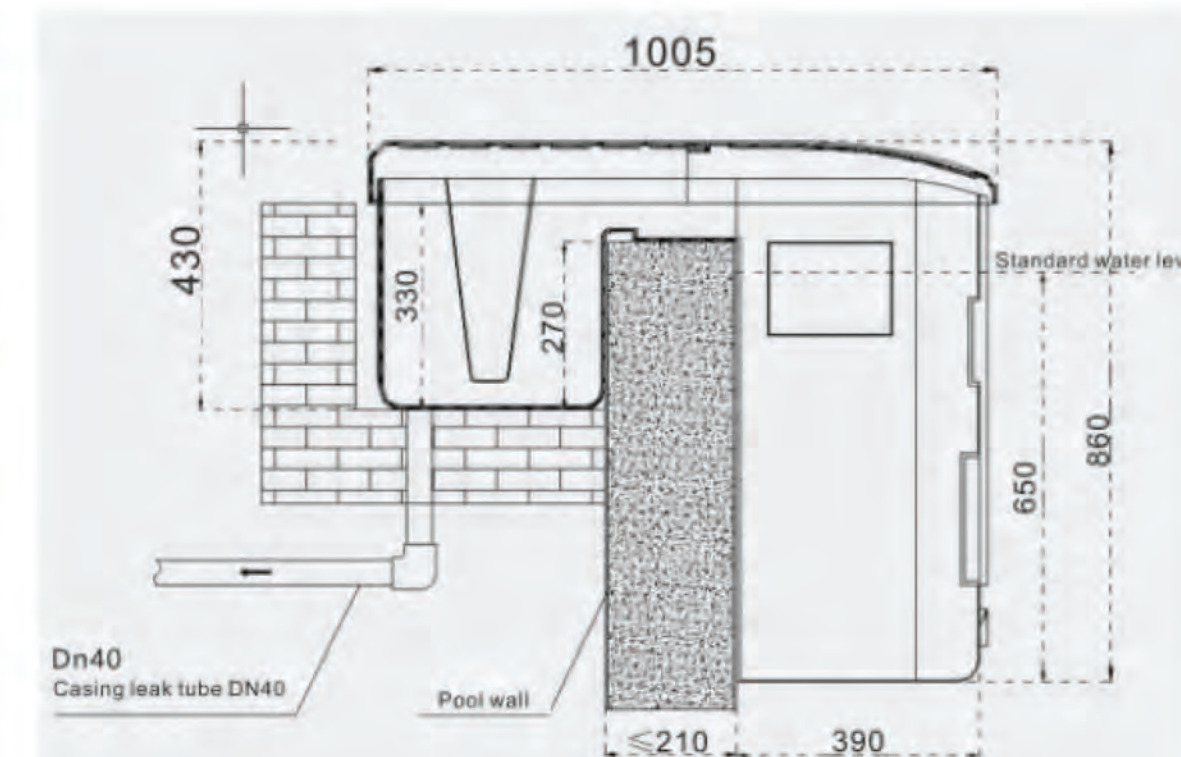
Dimensions	1050x550x860mm
Flow rate	10m ³ /h
Voltage	220V / 50Hz / 60Hz
Precision of filtration bag	≤ 5u
Operating noise	≤ 50Db
Material	Acrylic
Installation	Wall mounted

EQUIPMENT

Filtration Pump	1x1HP
Filtration basket with bag	1pc
Chlorine feeder	1pc
Light (warm white)	1x LED 12W/12V
Time controller	1pc
Swim jet	2pcs
Ozone	1pc (options)

SYSTEM

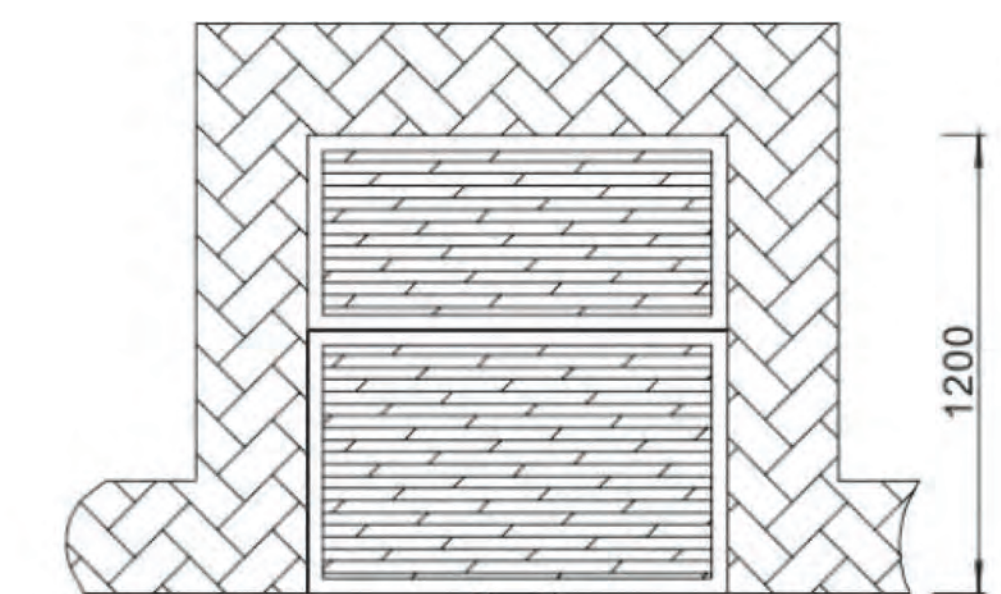
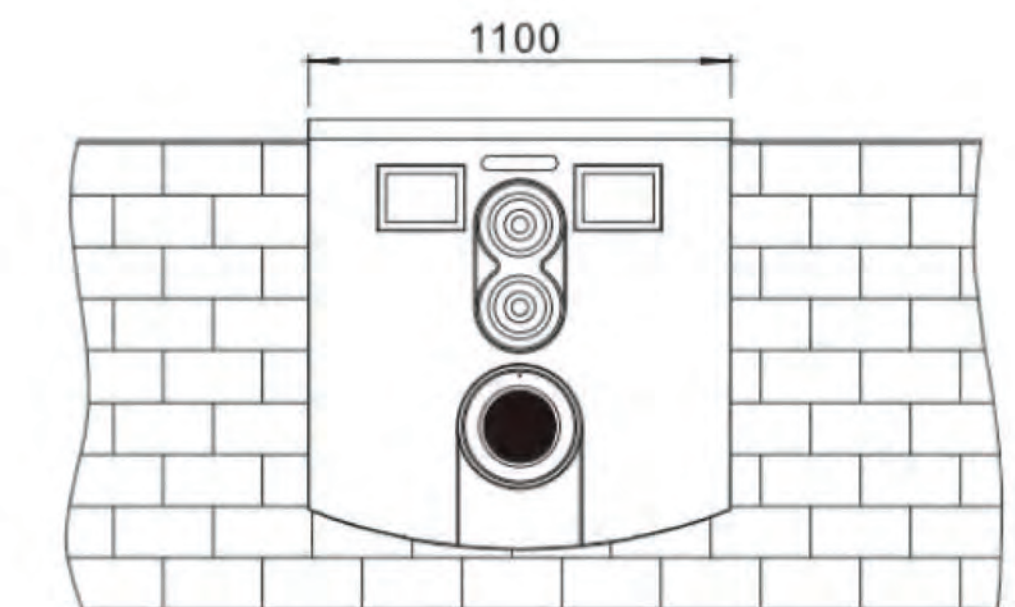
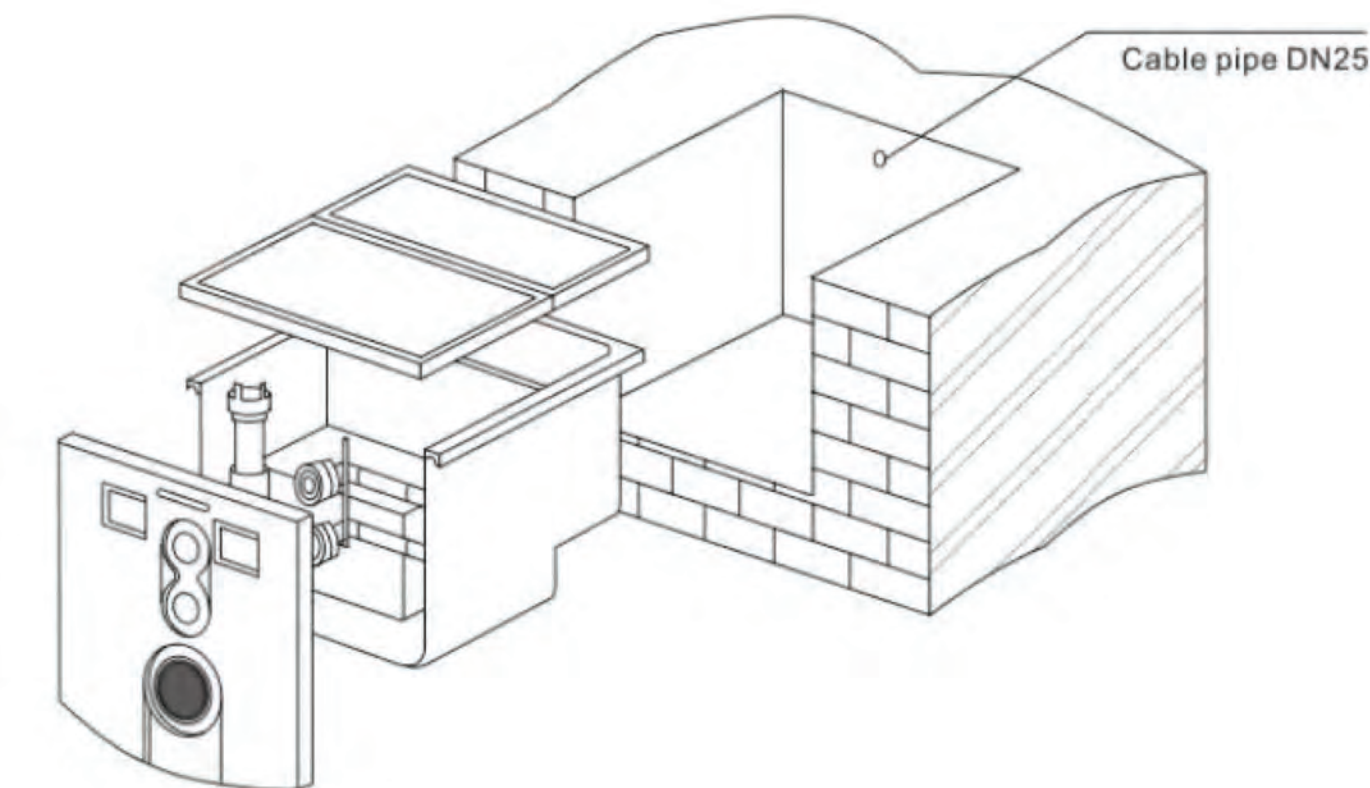
Filtration system	1pc
Disinfection system	1pc
Time control system	1pc
Circulation system	1pc
Lighting system	1pc



Wall-mounted Filter

Model: PK8030

The enclosure of wall-mounted filter is made of high quality Acrylic, which is anti-acid, anti-fading and easy to clean. The integrated filter can install without machine room, with many advantages such as simple installation, convenient operation, excellent performance and saving construction cost. This model is higher flow rate with 8pcs filter bags for big swimming pool. The filter is made according to Countries codes and standards.



TECHNICAL CHARACTERISTICS

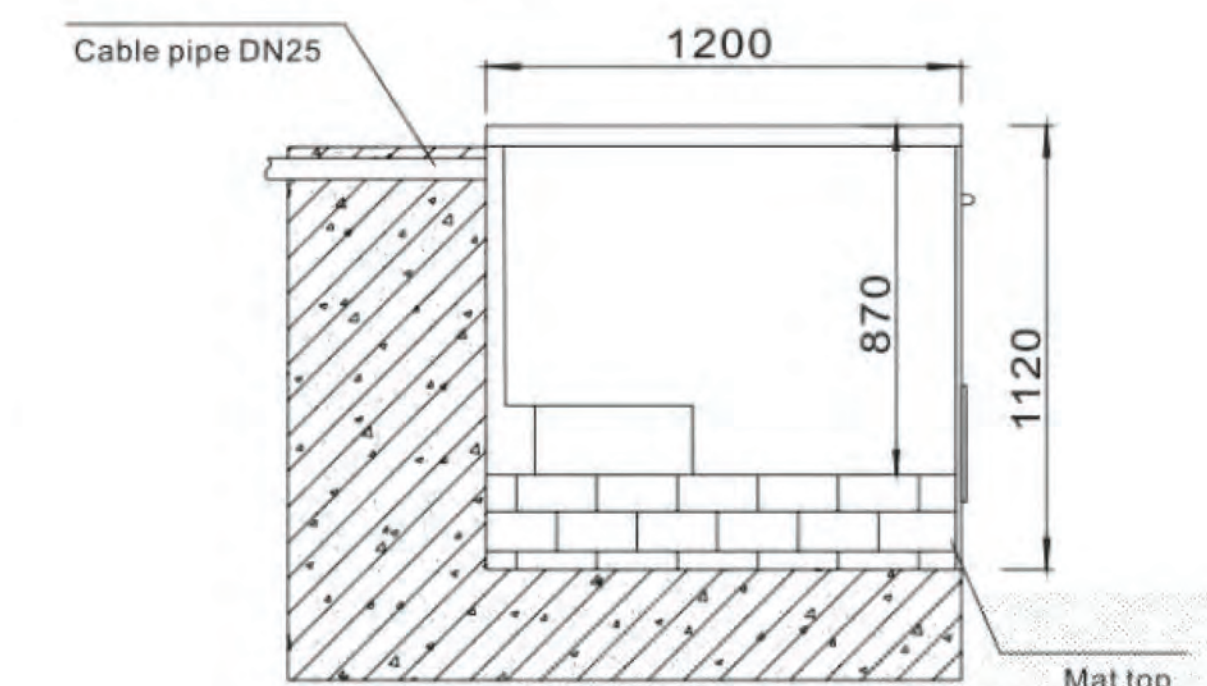
Dimensions	1100x1200x1120mm
Flow rate	47m ³ /h
Voltage	220V / 50Hz or 60Hz
Precision of filtration bag	≤ 5u
Operating noise	≤ 50Db
Material	Acrylic
Installation	Inground

EQUIPMENT

Filtration Pump	1x4HP
Filtration basket with bag	8pc
Chlorine feeder	1pc
Light (warm white)	1x LED 12W/12V
Time controller	1pc
Swim jet	2pcs x 5"

SYSTEM

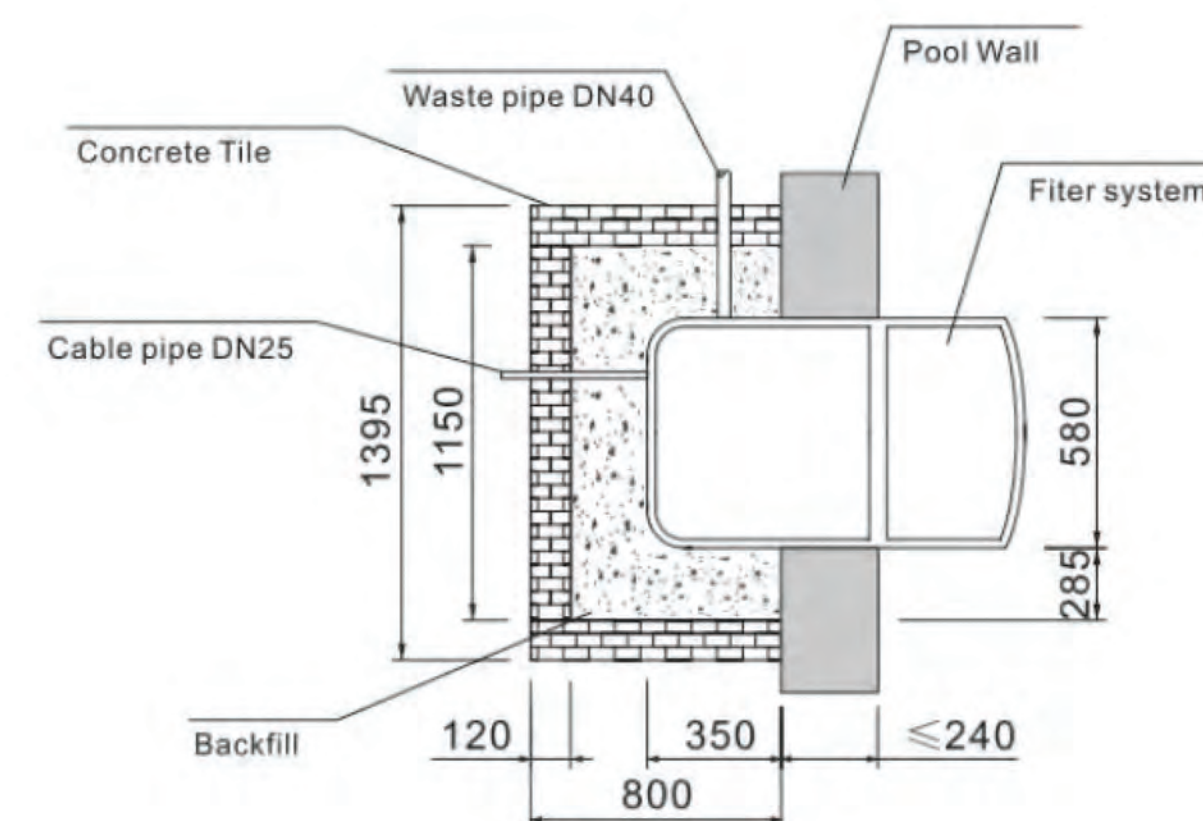
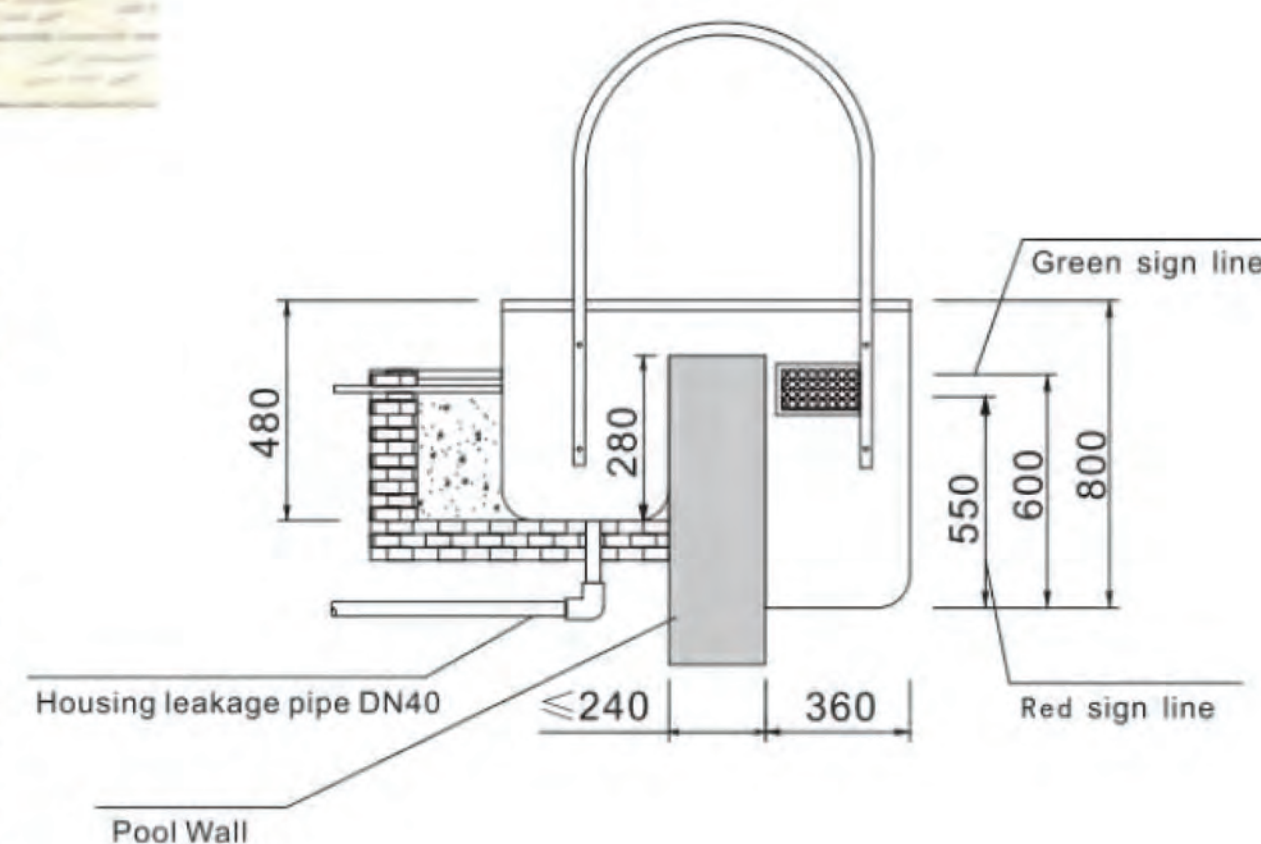
Filtration system	1pc
Disinfection system	1pc
Time control system	1pc
Circulation system	1pc
Lighting system	1pc



Wall-mounted Filter

Model: PK8021 (Children Swimming Pool)

The enclosure of wall-mounted filter is made of Polyethylene. The integrated filter replaces the traditional sand filter and can be installed without machine room, with many advantages such as simple installation, convenient operation, excellent performance and saving construction cost. The filter is made according to Countries codes and standards.



TECHNICAL CHARACTERISTICS

Dimensions	950x580x800mm
Flow rate	15m ³ /h
Voltage	220V / 50Hz or 60Hz
Precision of filtration bag	≤5u
Operating noise	≤50Db
Material	Polyethylene
Installation	Wall mounted

EQUIPMENT

Filtration Pump	1x1.5HP
Filtration basket with bag	1pc
Light (warm white)	1x LED 12W/12V
Time controller	1pc
Swim jet	2pcs
Handle rail (S.S.)	2pcs
Ozone	1pc

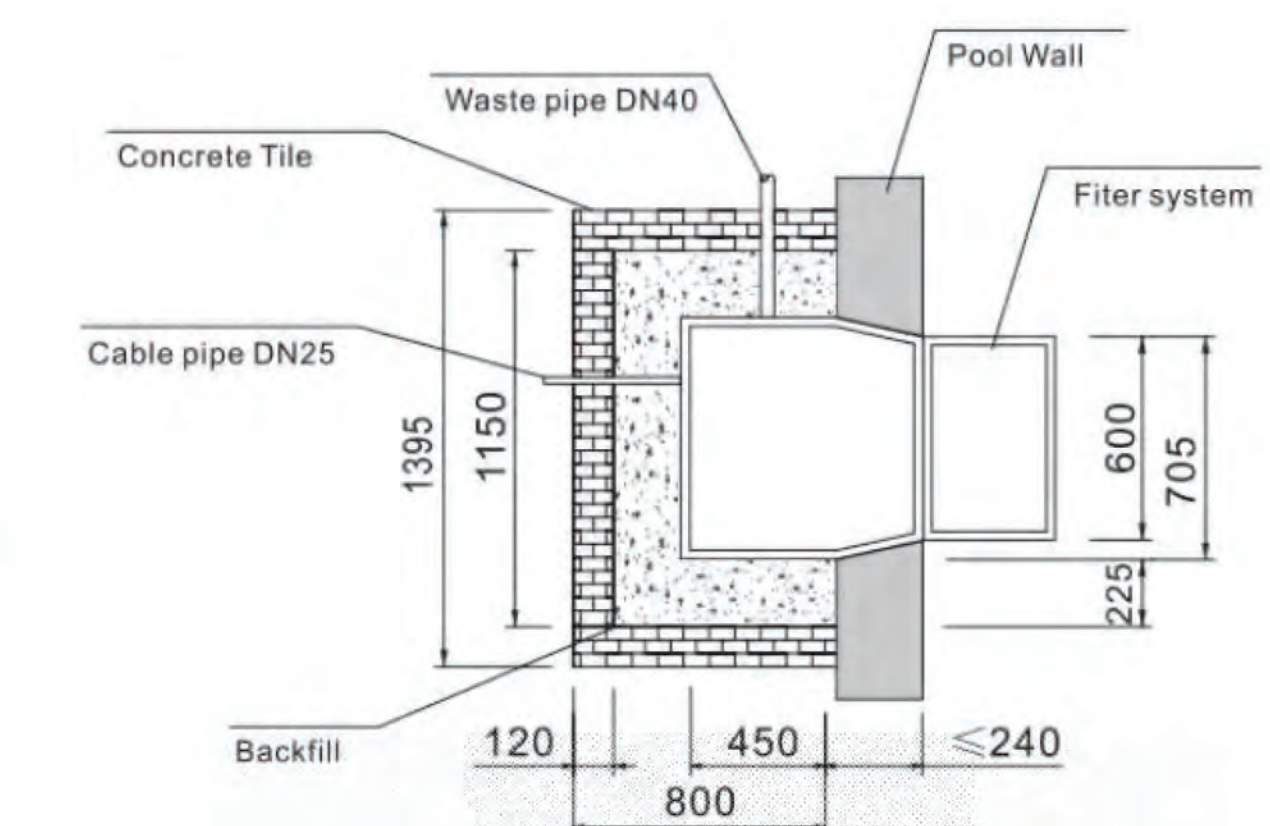
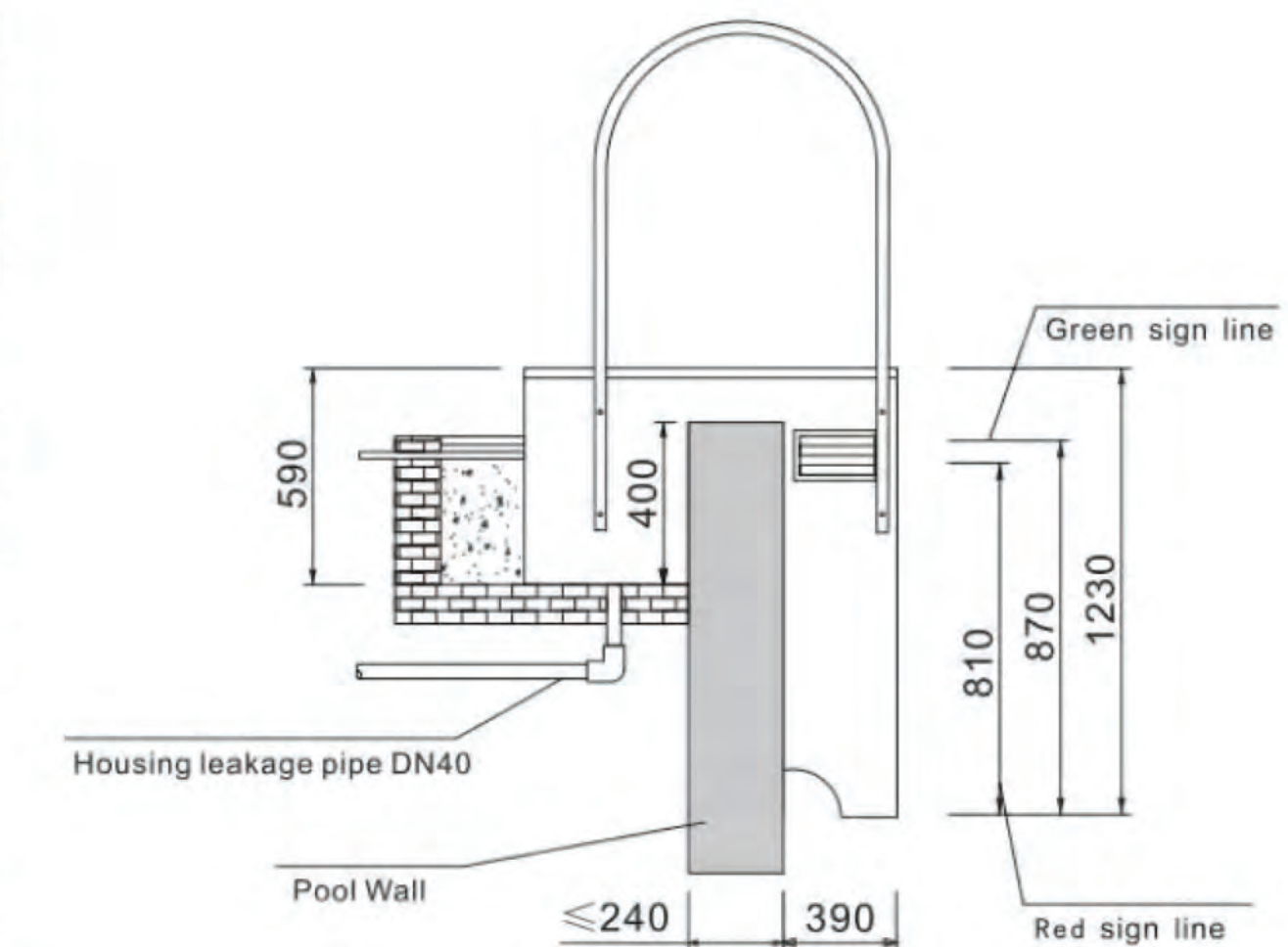
SYSTEM

Filtration system	1pc
Disinfection system	1pc
Time control system	1pc
Circulation system	1pc
Lighting system	1pc

Wall-mounted Filter

Model: PK8029

The enclosure of wall-mounted filter is made of Polyethylene. The integrated filter replaces the traditional sand filter and can be installed without machine room, with many advantages such as simple installation, convenient operation, excellent performance and saving construction cost. The filter is made according to Countries codes and standards.



TECHNICAL CHARACTERISTICS

Dimensions	1095x 705x 1230mm
Flow rate	25m ³ /h
Voltage	220V / 50Hz or 60Hz
Precision of filtration bag	≤5u
Operating noise	≤50Db
Material	Polyethylene
Installation	Wall mounted

EQUIPMENT

Filtration Pump	1x2HP
Filtration basket with bag	1pc
Chlorine feeder	1pc
Light (warm white)	1x LED 12W/12V
Time controller	1pc
Swim jet	2pcs
Handle rail (S.S.)	2pcs
Ozone	1pc (options)

SYSTEM

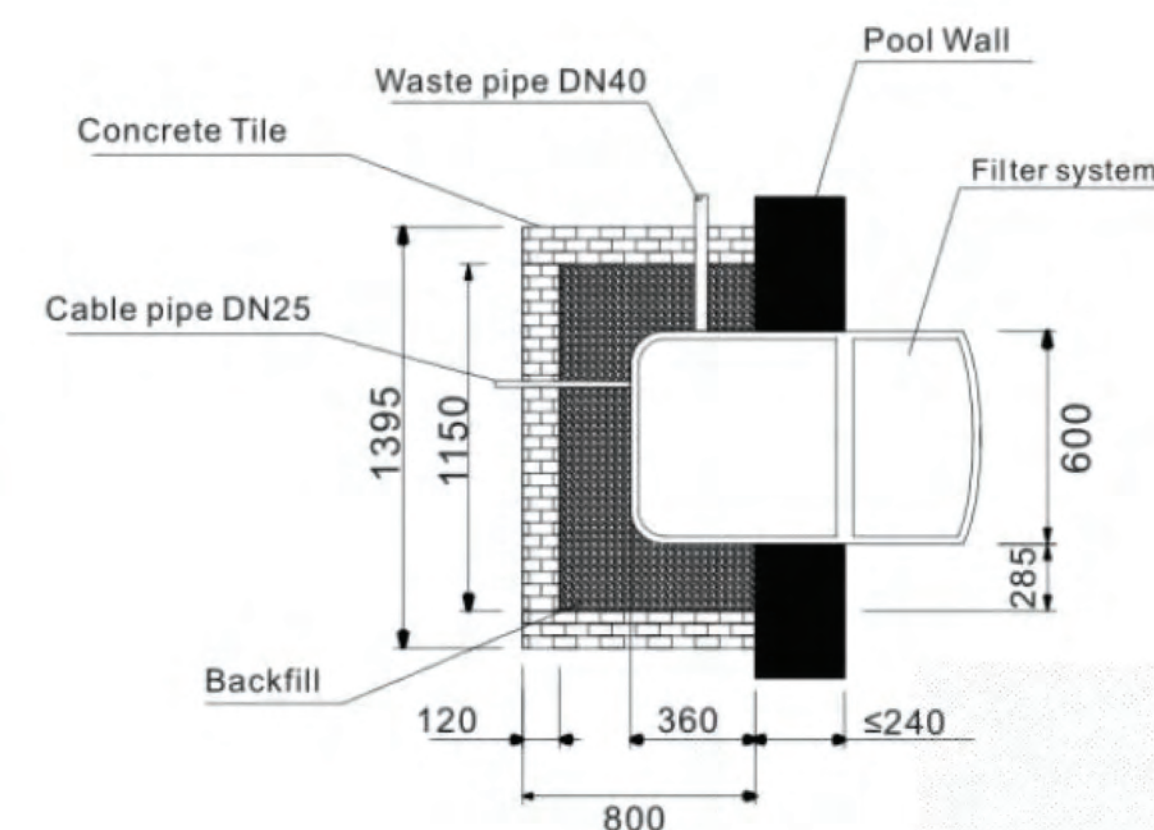
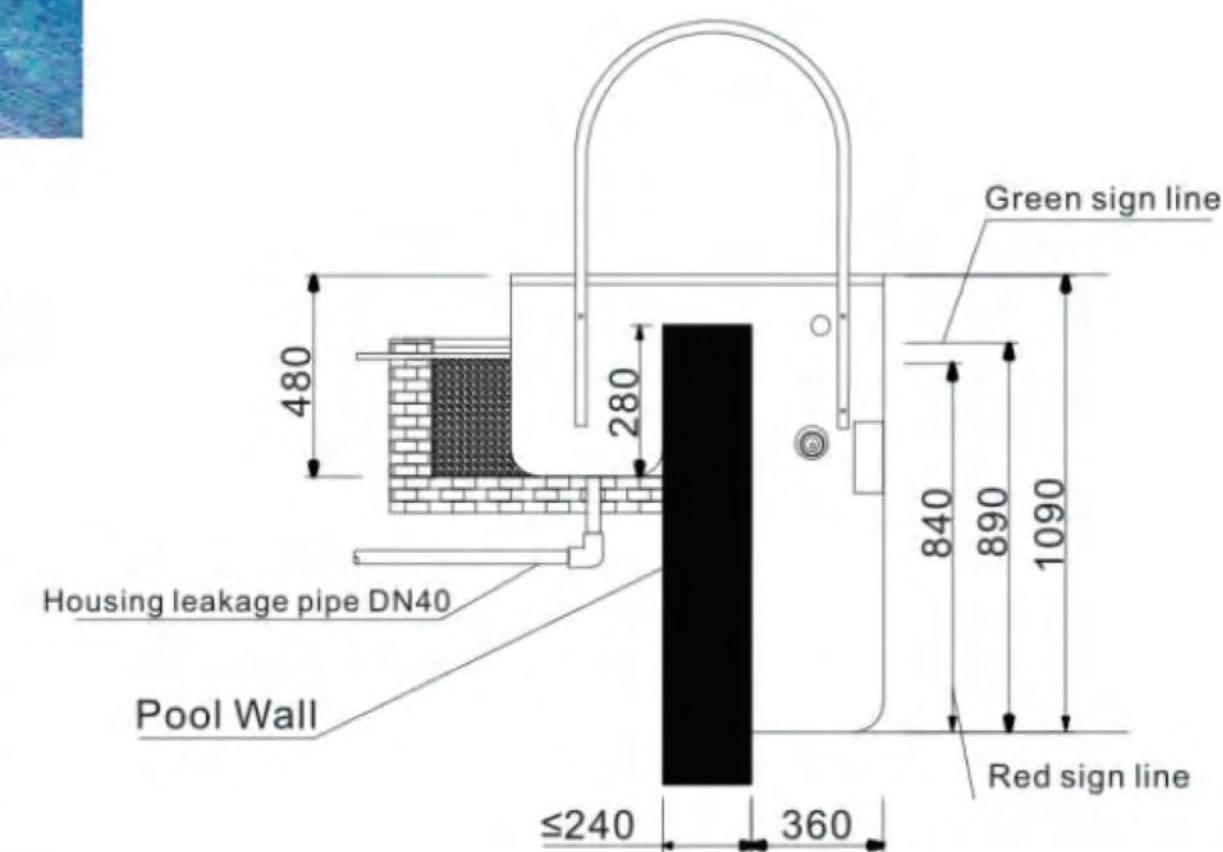
Filtration system	1pc
Disinfection system	1pc
Time control system	1pc
Circulation system	1pc
Lighting system	1pc

Wall-mounted Filter

Model: PK8032

The enclosure of wall-mounted filter is made of Polyethylene. The integrated filter replaces the traditional sand filter and can be installed without machine room, with many advantages such as simple installation, convenient operation, excellent performance and saving construction cost.

The filter is made according to Countries codes and standards.



TECHNICAL CHARACTERISTICS

Dimensions	1090X600X960
Flow rate	25m ³ /h
Voltage	220V / 50Hz or 60Hz
Precision of filtration bag	≤5u
Operating noise	≤50Db
Material	Polyethylene
Installation	Wall mounted

EQUIPMENT

Filtration Pump	1x2HP
Filtration basket with bag	1pc
Light (warm white)	1x LED 12W/12V
Time controller	1pc
Swim jet	2pcs
Handle rail (S.S.)	2pcs
Ozone	1pc

SYSTEM

Filtration system	1pc
Disinfection system	1pc
Time control system	1pc
Circulation system	1pc
Lighting system	1pc

INGROUND FILTER

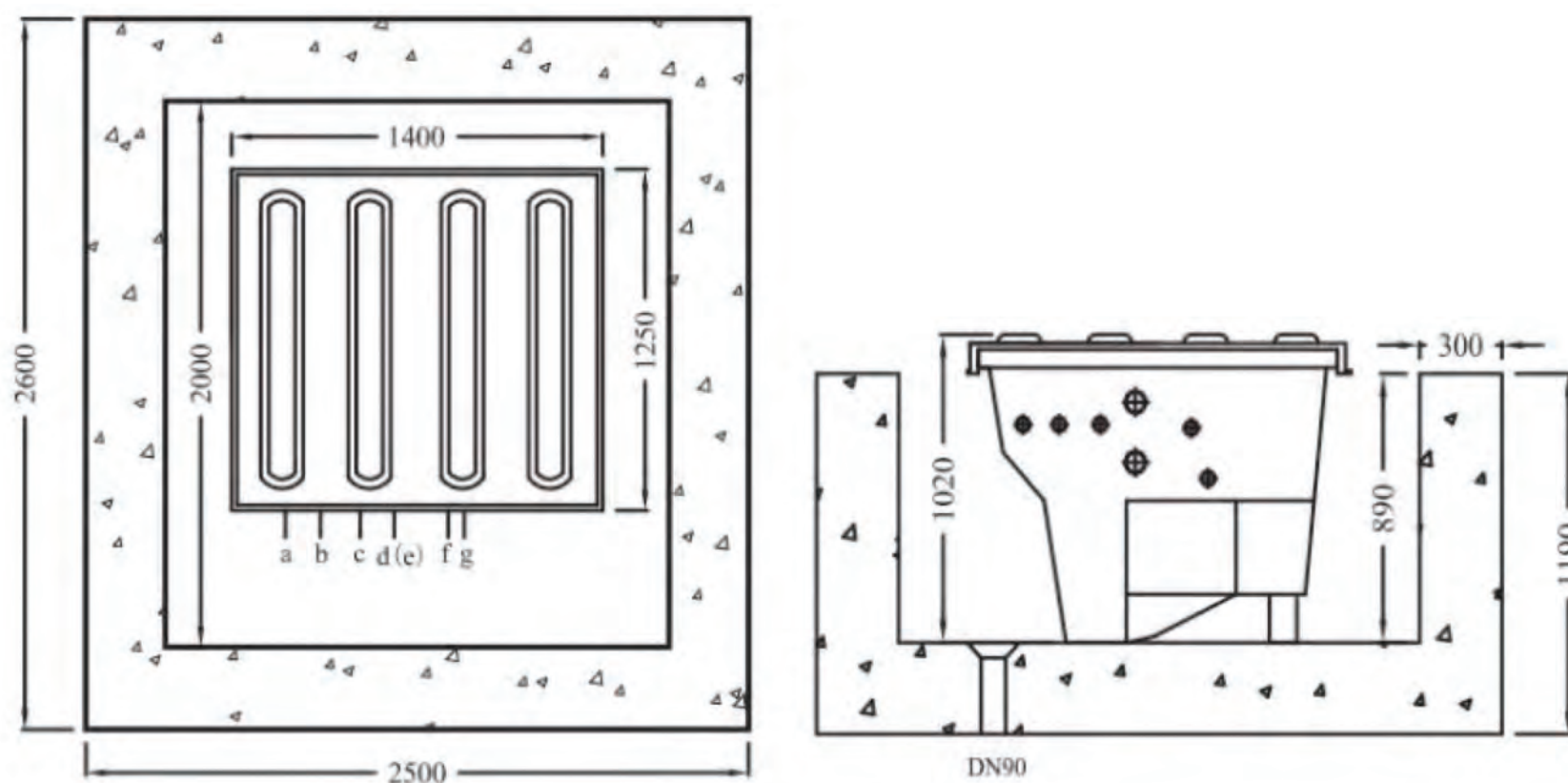


Quartz Sand Filter

Model: PK8017

The enclosure of inground filter is made of high quality fiberglass and polyvinyl chloride, which is strong and durable, rust-proof, low temperature resistance and anti-uv light, etc. Equipped with filtering timing automatic control system and the automatic drainage system; Easy to install, no need a special machine room.

Notes: Massage pump, salt chlorinator and automatic chlorine off-line feeder(Optional)



- a: Connect backwater inlet $\Phi 50$
- b: Connect vacuum suction $\Phi 50$
- c: Connect skimmer $\Phi 50$
- d: Connect the outlet of the massage pump $\Phi 63$
- e: Connect the inlet of the massage pump $\Phi 63$
- f: Connect the water outlet $\Phi 50$
- g: Connect the sewage outlet $\Phi 50$



- Complete filtration
- Complete circulation
- Dose sterilization
- Circulating water pump
- Massage pump
- Pressure relief valve
- Pressure display
- 6-multi-port valve
- Automatic doser
- Time controller
- Contactar

TECHNICAL CHARACTERISTICS

Power	1HP/220V	1.5HP/220V
Filter type	Sand filter	$\Phi 525\text{mm} / \Phi 625\text{mm}$
Flow rate	12m ³ /h	16m ³ /h
External Dimension	1400×1250×1020mm	
Disinfection	Sterilizer	
Water pump	120w/ 220v	
Salt chlorinator	16~42 g/h	(options)
massage pump	3HP/220V	(options)
UV	65w/220v	(options)
CCOREL.250		(options)

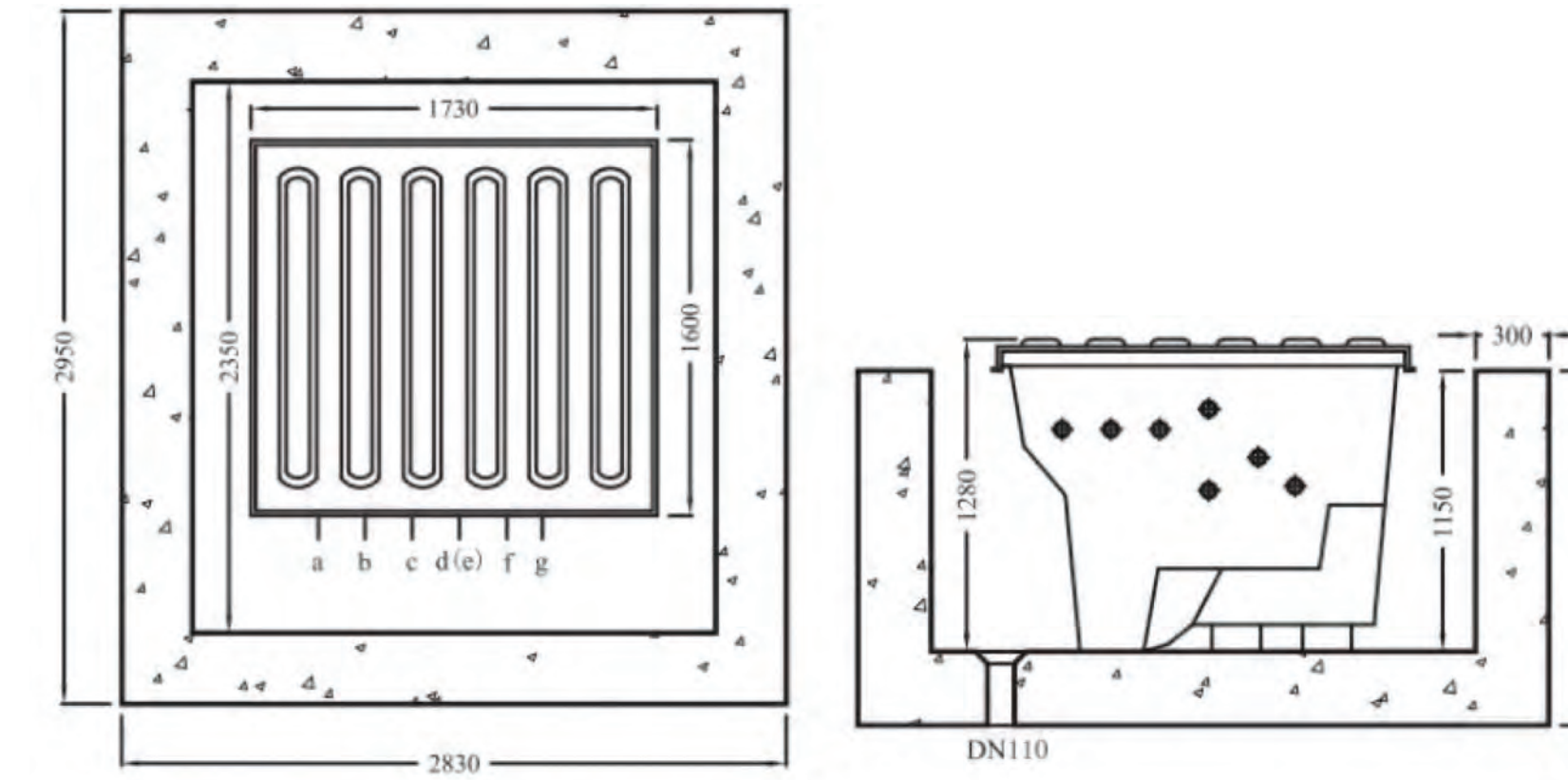


Quartz Sand Filter

Model: PK8018

The enclosure of inground filter is made of high quality fiberglass and polyvinyl chloride, which is strong and durable, rust-proof, low temperature resistance and anti-uv light, etc. Equipped with filtering timing automatic control system and the automatic drainage system; Easy to install, no need a special machine room.

Notes: Massage pump, salt chlorinator and automatic chlorine off-line feeder(Optional)



- a: Connect backwater inlet $\Phi 50$
- b: Connect vacuum suction $\Phi 50$
- c: Connect skimmer $\Phi 50$
- d: Connect the outlet of the massage pump $\Phi 63$
- e: Connect the inlet of the massage pump $\Phi 63$
- f: Connect the water outlet $\Phi 50$
- g: Connect the sewage outlet $\Phi 50$

- Complete filtration
- Complete circulation
- Dose sterilization
- Circulating water pump
- Massage pump
- Pressure relief valve
- Pressure display
- 6-multi-port valve
- Automatic doser
- Time controller
- Contactar



TECHNICAL CHARACTERISTICS

Power	2HP/220V	3HP/220V
Filter type	Sand filter	$\Phi 800\text{mm} / \Phi 900\text{mm}$
Flow rate	25m ³ /h	33m ³ /h
External Dimension	1730 x 1600 x 1280mm	
Disinfection	Sterilizer	
Water pump	120W/220V	
Salt chlorinator	16-42g/h	(options)
Massage pump	3HP/220V	(options)
CCOREL.250		(options)



Quartz Sand Filter

Model: PK8010

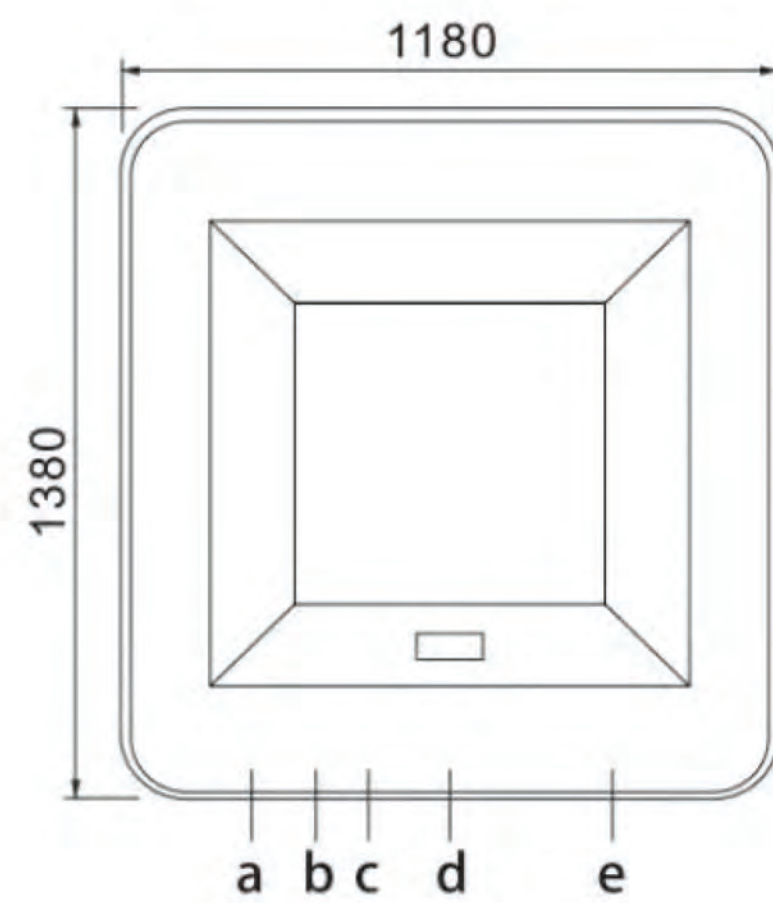
In-ground filter are made of fiberglass and polyvinyl chloride, which is design and good-looking and durable. The in-ground does not need a machine house, which save construction cost, convenient operation and save maintenance cost. Multic use in-ground sand filter assemble complete set filtration configuration to high filtering capacity and to reach to back wash. According with swimming pool specifications and standards.

NOTES: Ozone and heater(optional)

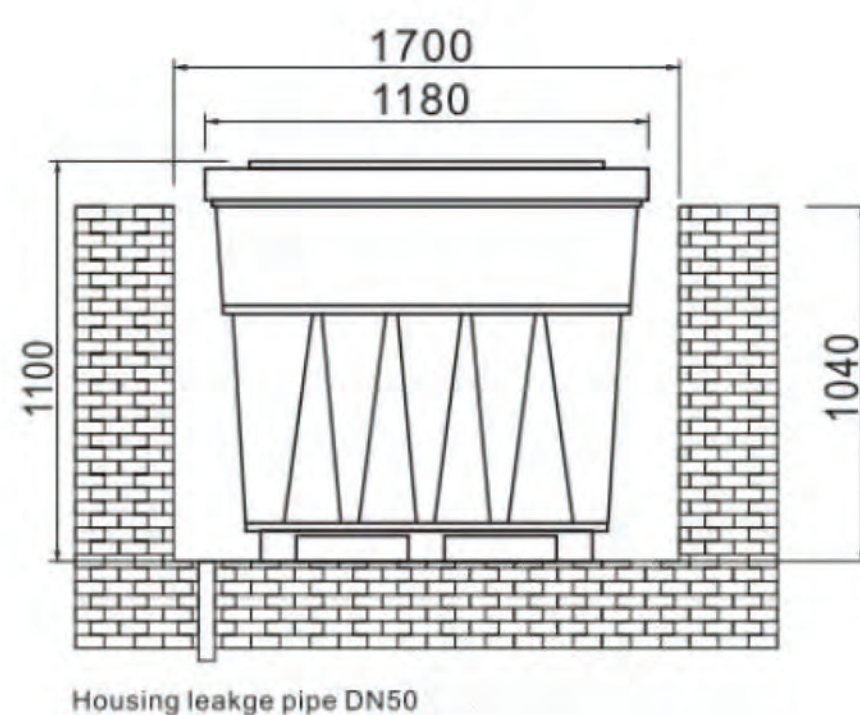


TECHNICAL CHARACTERISTICS

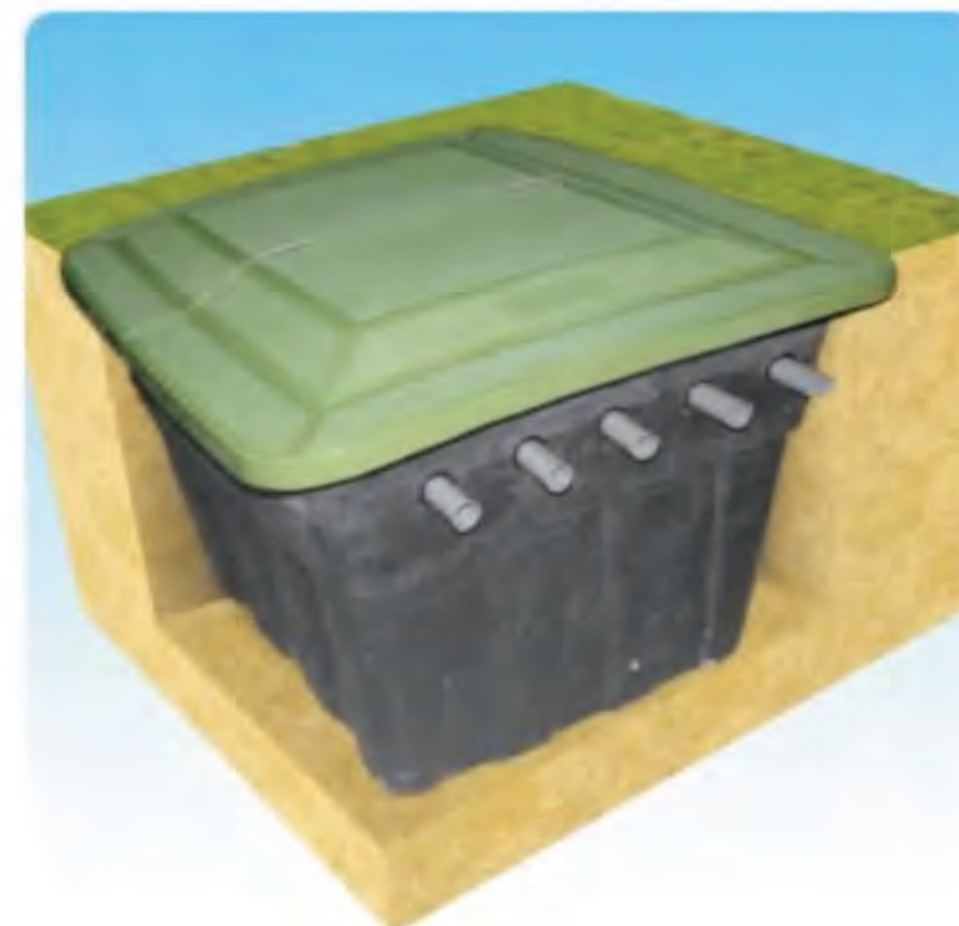
Power	1.5HP/220V	2.0HP/220V
Filter type	Sand filter	Φ625mm / Φ700mm
Flow rate	16m ³ /h	21m ³ /h
External Dimension	1380×1180×1100mm	
Disinfection	Sterilizer	



- a: Connected wall return
- b: Connected skimmer
- c: Connected suction fitting
- d: Connected wall return
- e: Connected backwash



- Complete filtration
- Complete circulation
- Dose sterilization
- Circulating water pump
- Pressure relief valve
- Pressure display
- 6-multi-port valve
- Automatic doser
- Time controller
- Contactor

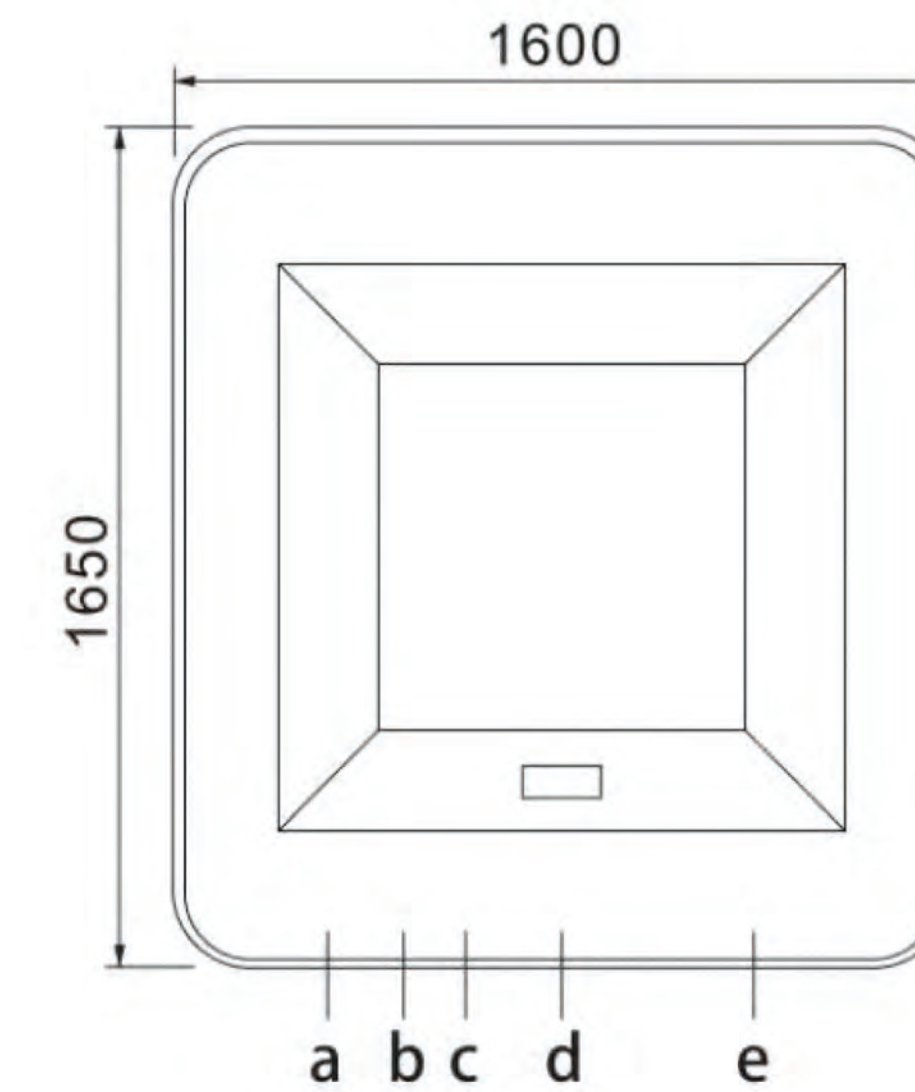


Quartz Sand Filter

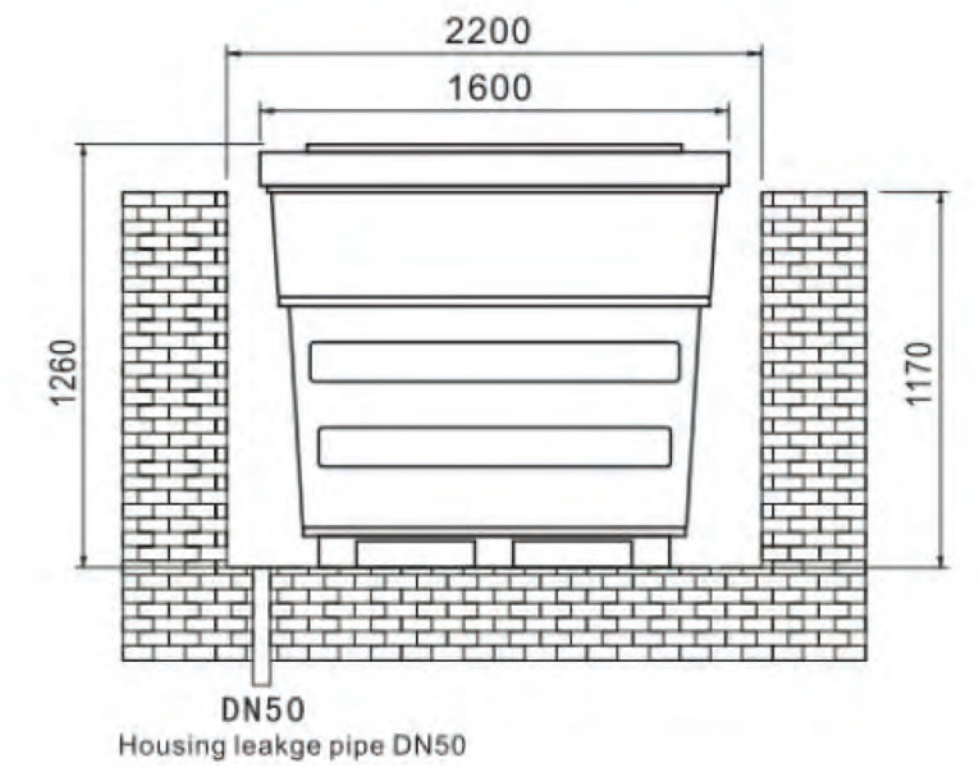
Model: PK8011

In-ground filter are made of fiberglass and polyvinyl chloride, which reasonable design and good-looking and durable. The in-ground does not need a machine house, which save construction cost, convenient operation and save maintenance cost. Multic use in-ground sand filter assemble complete set filtration configuration to high filtering capacity and to reach to back wash. According with swimming pool specifications and standards, it's the best choice for Big and commercail swimming pools.

NOTES: Ozone and heater(optional).



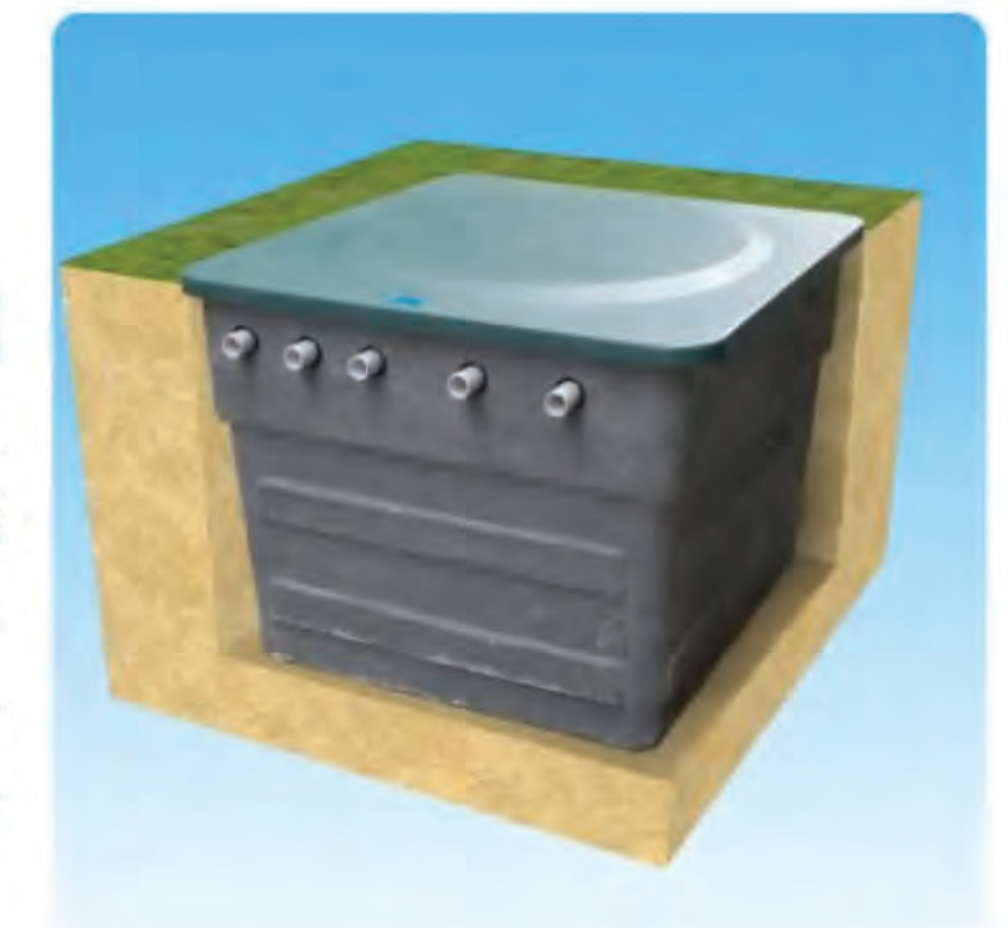
- a: Connected wall return
- b: Connected skimmer
- c: Connected suction fitting
- d: Connected wall return
- e: Connected backwash



- Complete filtration
- Complete circulation
- Dose sterilization
- Circulating water pump
- Pressure relief valve
- Pressure display
- 6-multi-port valve
- Automatic doser
- Time controller
- Contactor

TECHNICAL CHARACTERISTICS

Power	2HP/220V	3HP/220V
Filter type	Sand filter	Φ800mm / Φ900mm / Φ1000mm
Flow rate	26m ³ /h	33m ³ /h 40.5m ³ /h
External Dimension	1650 × 1600 × 1260mm	
Disinfection	Sterilizer	



Polyester Fiber Filter

Model: PK8012

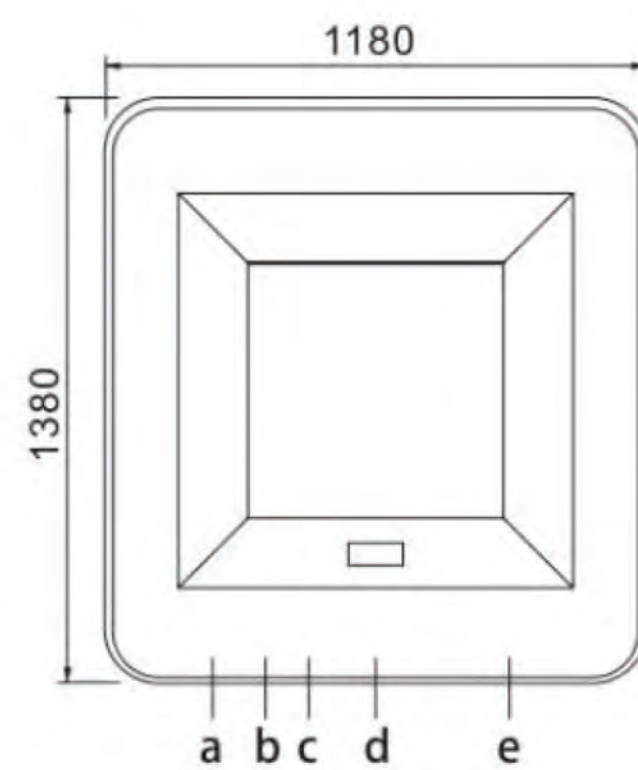
In-ground filter are made of fiberglass and polyvinyl chloride, which reasonable design and good-looking and durable. The in- ground does not need a machine house, which save construction cost, convenient operation and save maintenance cost. Multic use in-ground polyester fiber filter assemble complete set filtration configuration to high filtering capacity. According with swimming pool specifications and standards.

NOTES: Ozone and heater(optional)

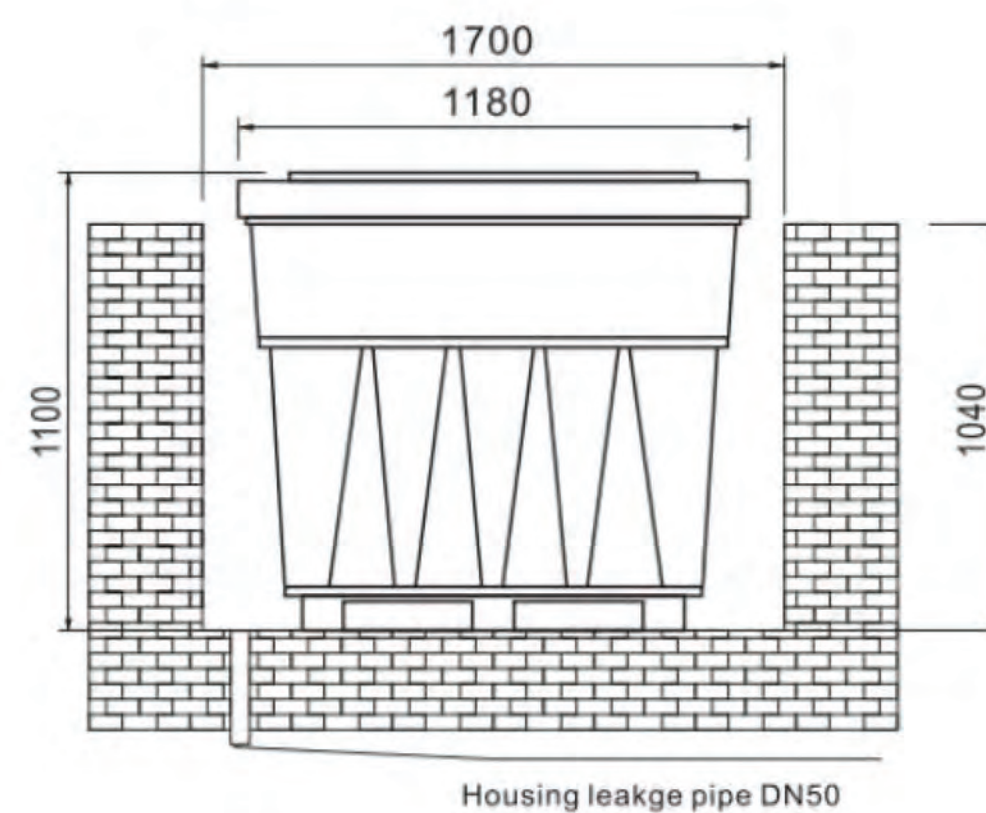


TECHNICAL CHARACTERISTICS

Power	3HP/220V
Filter type	Polyester fiber 2 × 75ft ²
Filtering Capacity	36m ³ /h
External Dimension	1380 × 1180 × 1200mm
Disinfection	Sterilizer



- a: Connected wall return
- b: Connected skimmer
- c: Connected suction fitting
- d: Connected wall return



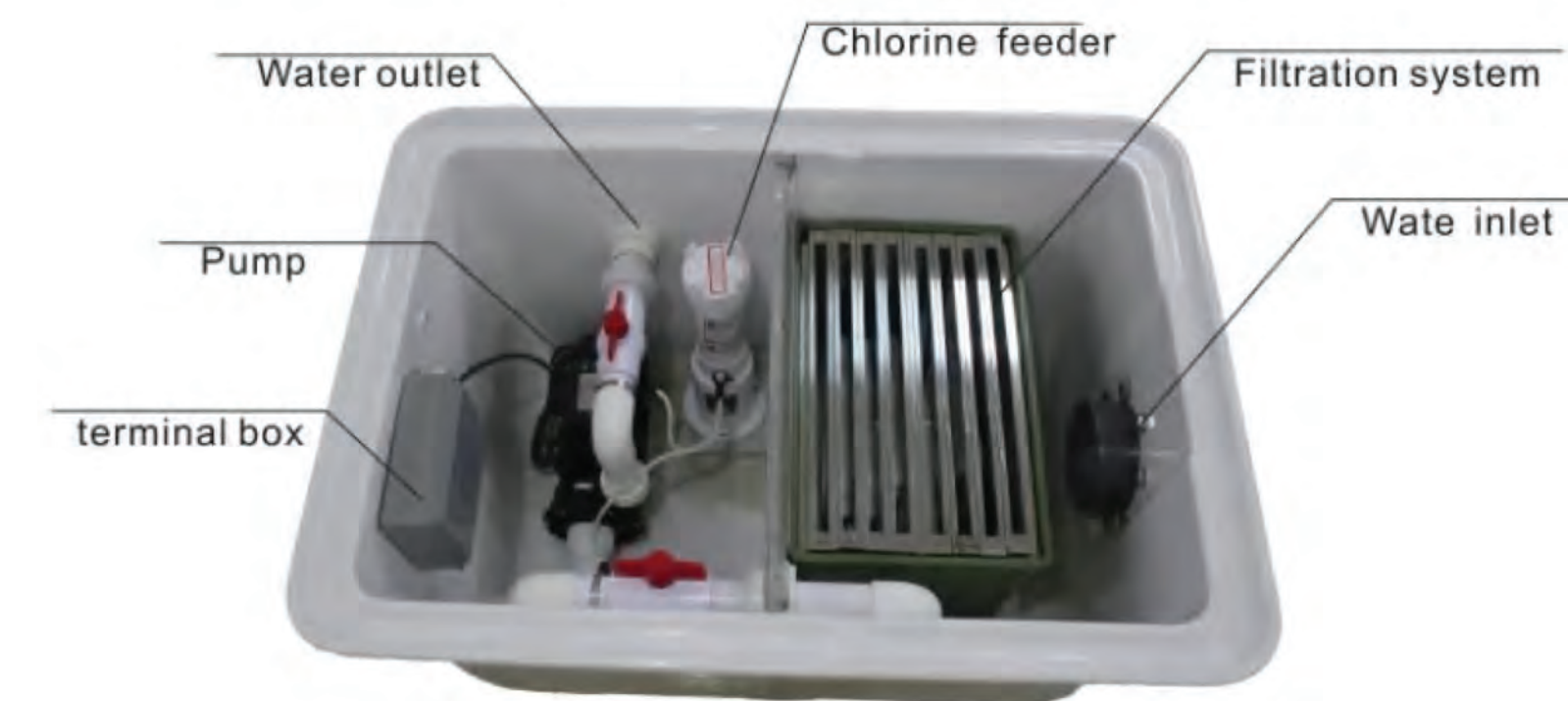
GL-002
Time control box



Inground Filter

Model: PK8019

The enclosure of wall-mounted filter is made of high quality Acrylic and fiberglass, so the filter is anti-acid anti-fading, and easy to clean. Integrated filter installation without room, simple installation, convenient operation, excellent performance, thereby reducing the construction cost. It's big flow rate for 8pcs filter bag.



TECHNICAL CHARACTERISTICS

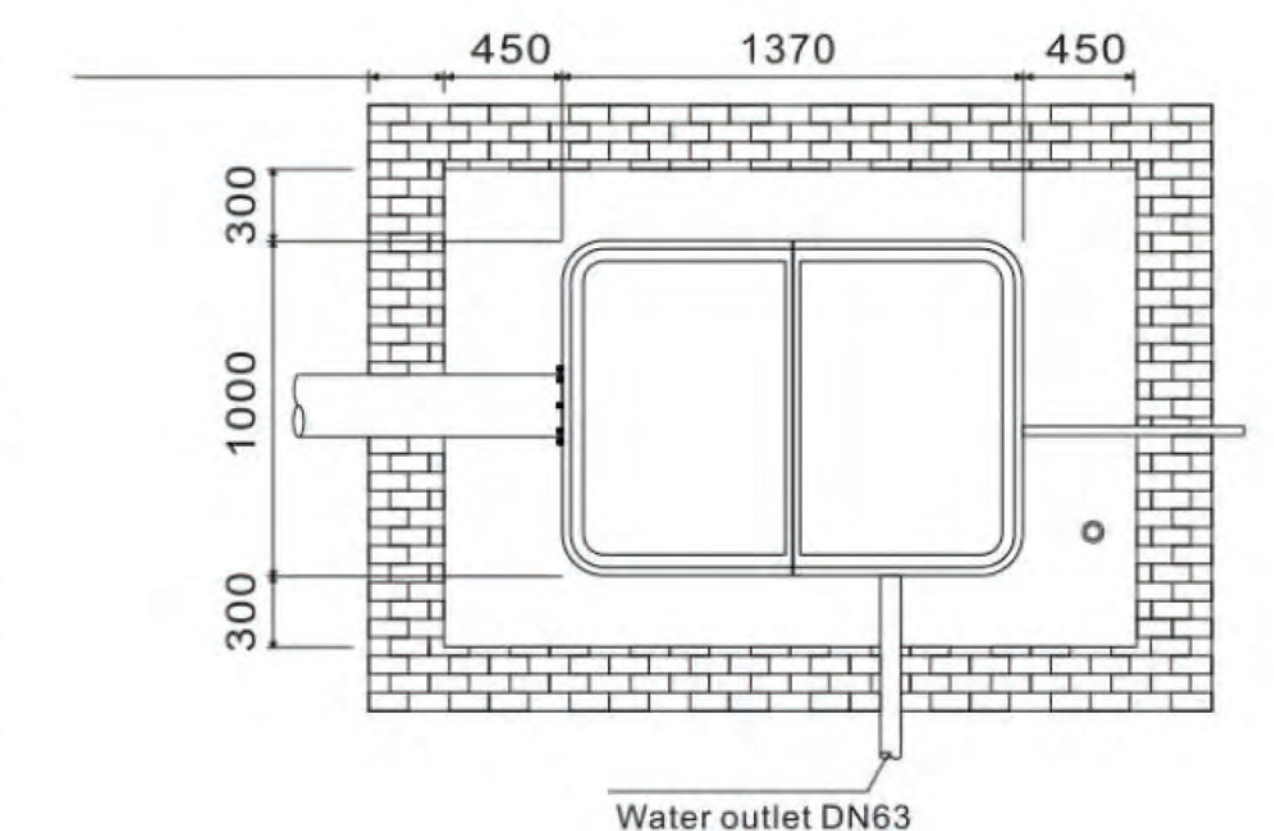
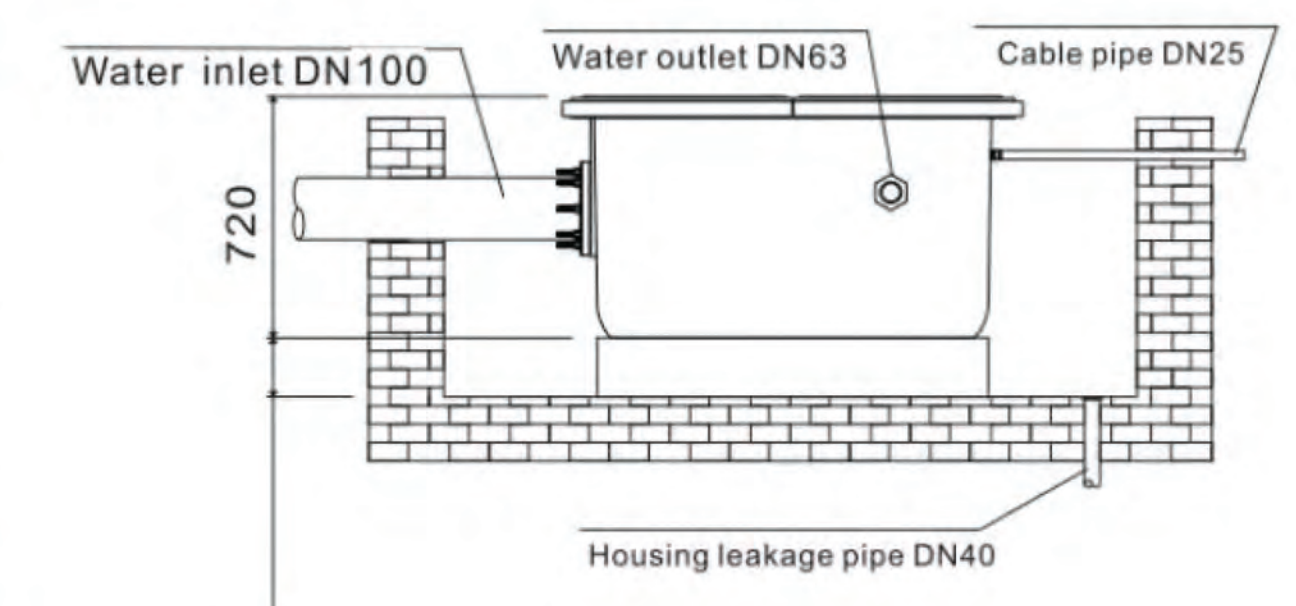
Dimensions	1370x1000x720mm
Flow rate	47m ³ /h
Voltage	220V / 50Hz or 60Hz
Precision of filtration bag	≤5u
Operating noise	≤50Db
Material	Fiberglass / Acrylic
Installation	Inground

EQUIPMENT

Filtration Pump	1x4HP
Filtration basket with bag	8pcs
Chlorine feeder	1pc
Time controller	1pc
4" Connection inlet	1pc

SYSTEM

Filtration system	1pc
Disinfection system	1pc
Time control system	1pc
Circle system	1pc

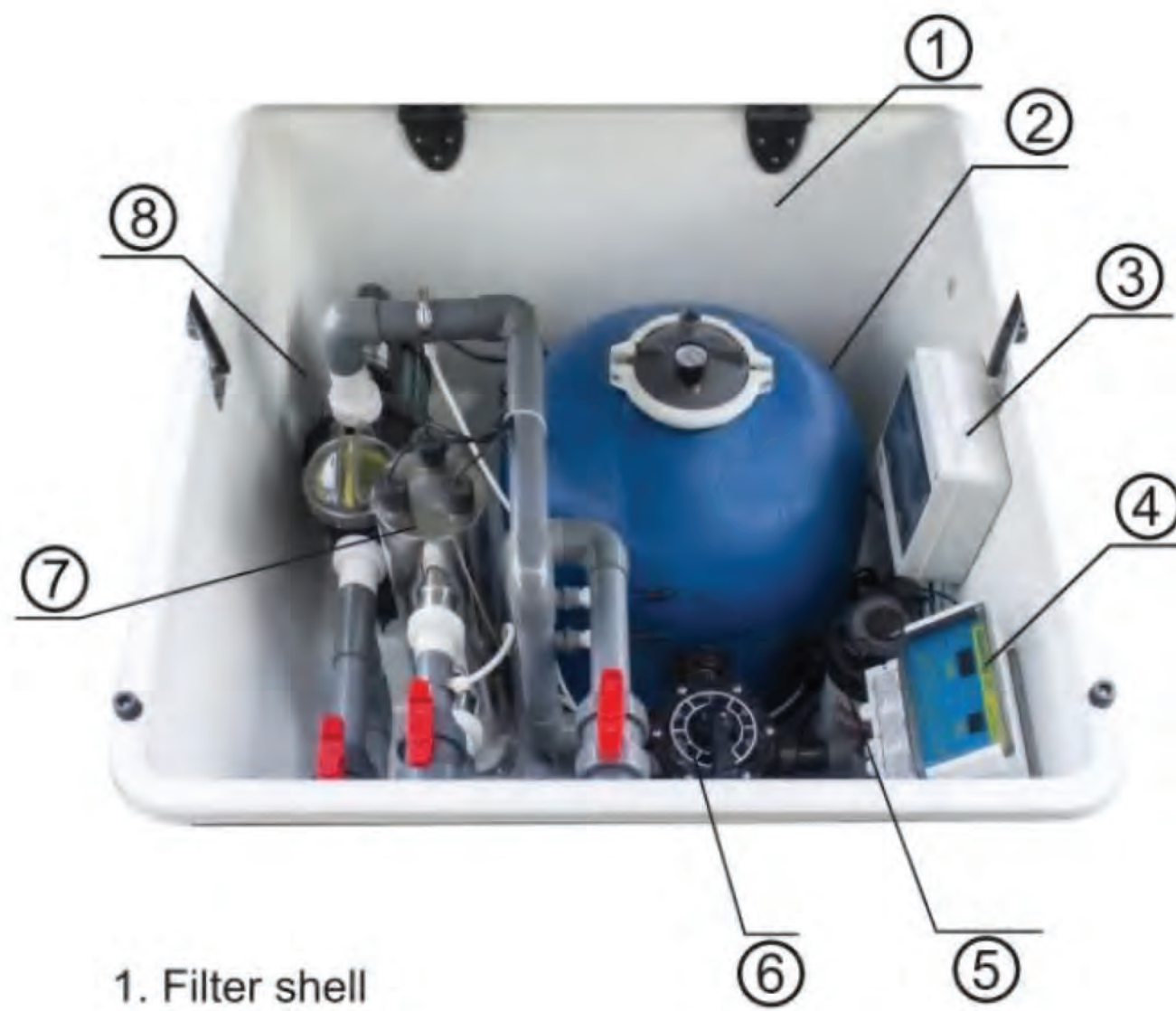


Quartz Sand Filter

Model: PK8015

In-ground filter are made of fiberglass and polyvinyl chloride, which reasonable design and good-looking and durable. The in-ground does not need a machine house, which save construction cost, convenient operation and save maintenance cost. Multic use in-ground sand filter assemble complete set filtration configuration to high filtering capacity and to reach to back wash. According with swimming pool specifications and standards, it's the best choice for Big and commercail swimming pool s.

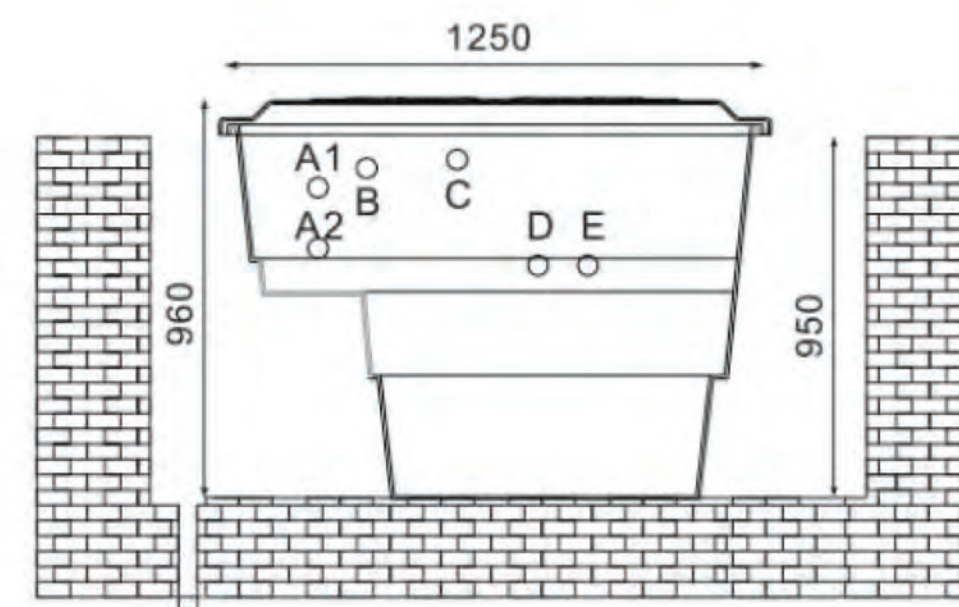
NOTES: Ozone and heater(optional).



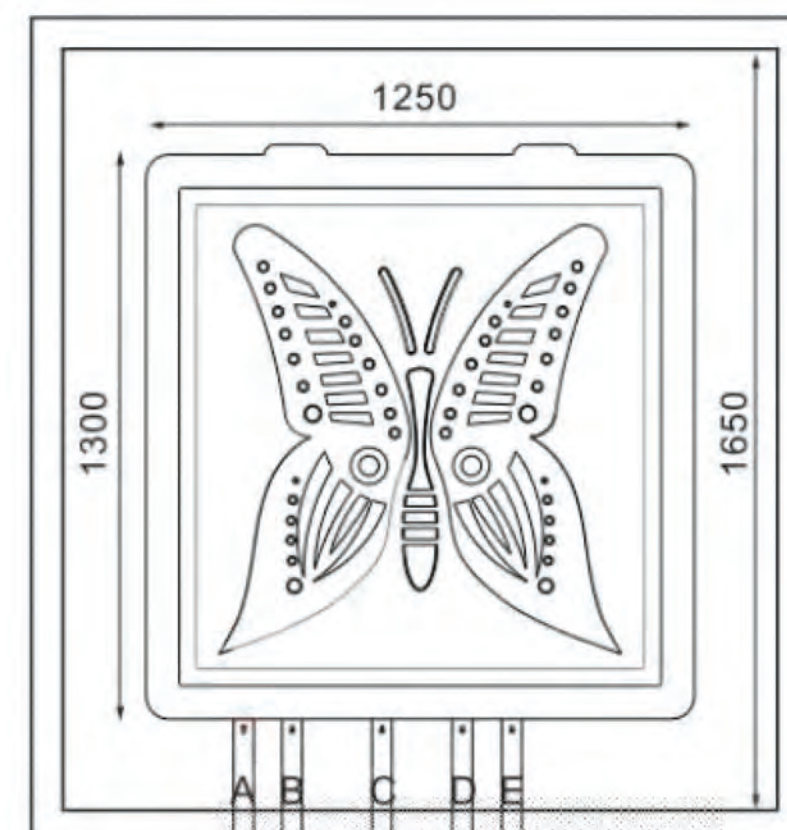
1. Filter shell
2. Sand filter
3. Junction box
4. Water quality controller
5. Chlorinator feeder
6. Submersible pump
7. UV sterilizer
8. Water pump

TECHNICAL CHARACTERISTICS

Power	1HP/220v	1.5HP/220v
Filter type	Sand filter	Φ525mm / Φ625mm
Flow rate	12m ³ /h	16m ³ /h
External Dimension	1300x1250x960mm	
Disinfection	Sterilizer	
Water pump	120w/ 220v	
Salt chlorinator	16~42 g/h	(options)
UV	65w/220v	(options)
CCOREL.250		(options)



- A: Connect the water return, sunction fitting
 B: Connect the water outlet(after the water disinfection)
 C: Connect the water outlet(after the UV)
 D: Connect the water outlet(after the Submersible pump)
 E: Connect the water outlet(sand filter)

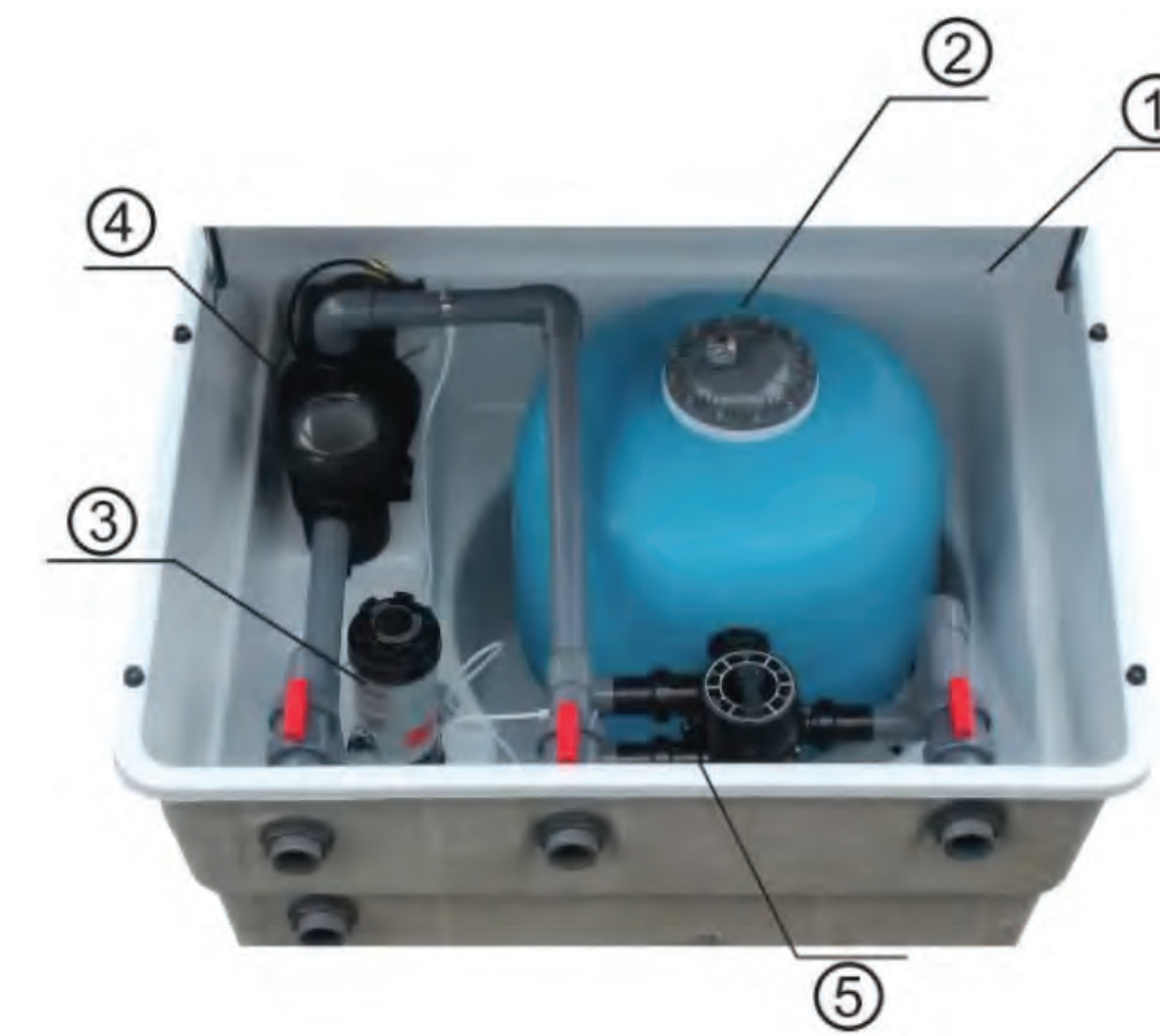


Quartz Sand Filter

Model: PK8016

In-ground filter are made of fiberglass and polyvinyl chloride, which reasonable design and good-looking and durable. The in-ground does not need a machine house, which save construction cost, convenient operation and save maintenance cost. Multic use in-ground polyester fiber filter assemble complete set filtration configuration to high filtering capacity. According with swimming pool specifications and standards.

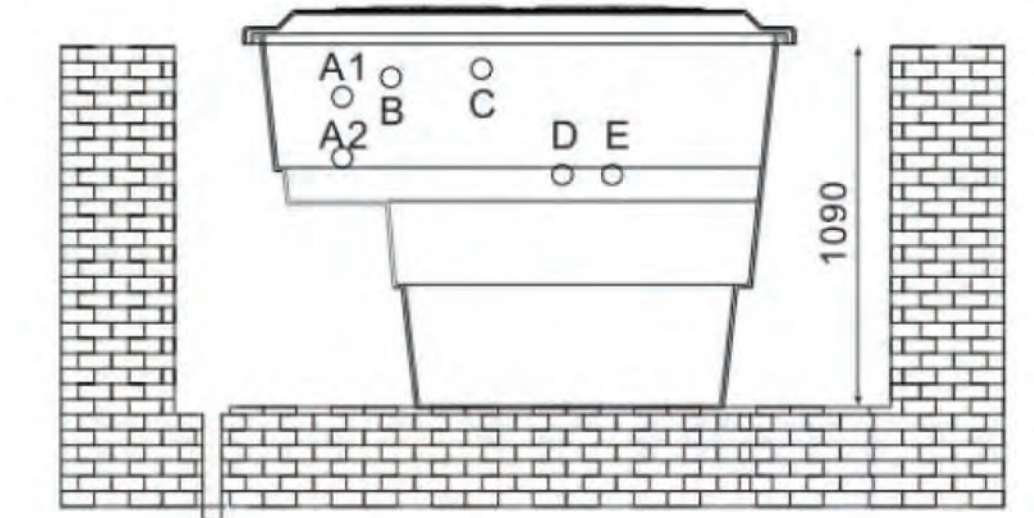
NOTES: Ozone and heater(optional)



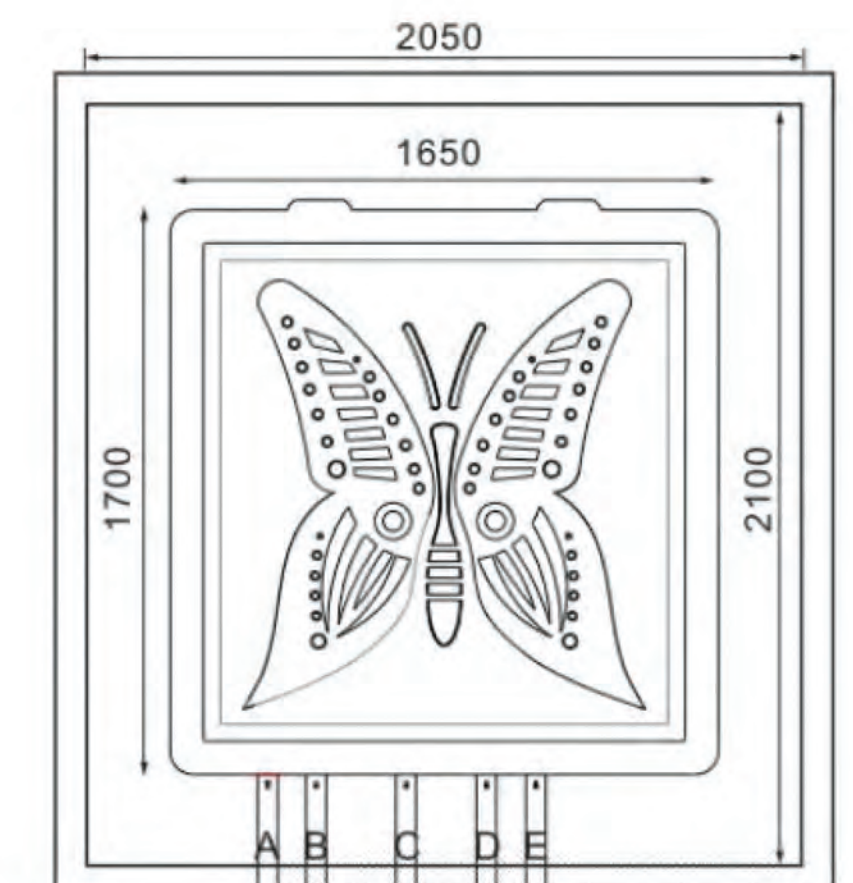
1. Filter shell
2. Sand filter
3. Chlorinator feeder
4. Water pump
5. Submersible pump

TECHNICAL CHARACTERISTICS

Power	2HP/220v	3HP/220v
Filter type	Sand filter	Φ800mm / Φ900mm
Flow rate	25m ³ /h	33 m ³ /h
External Dimension	1650x1700x1250mm	
Disinfection	Sterilizer	
Water pump	120w/ 220v	
Salt chlorinator	16~42 g/h	(optional)
UV	85w/220v	(optional)
CCOREL.250		(optional)



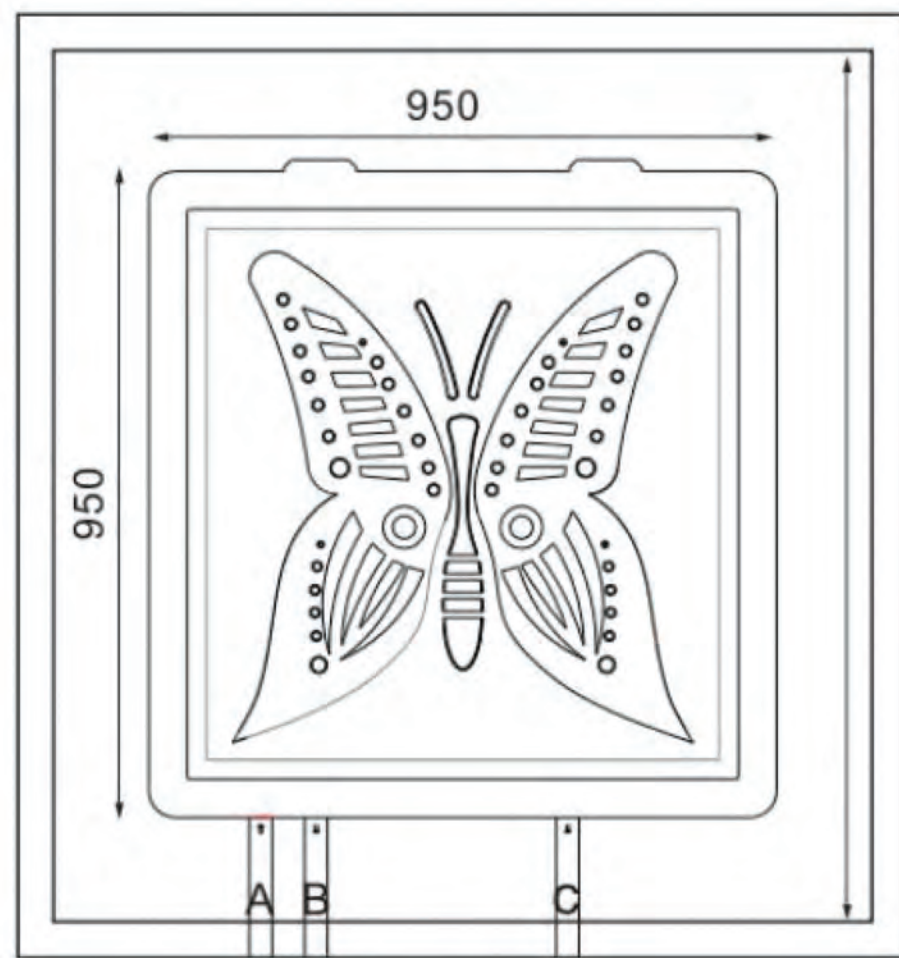
- A: Connect the water return, sunction fitting
 B: Connect the water outlet (after the water disinfection)
 C: Connect the water outlet (after the UV)
 D: Connect the water outlet (after the Submersible pump)
 E: Connect the water outlet (sand filter)



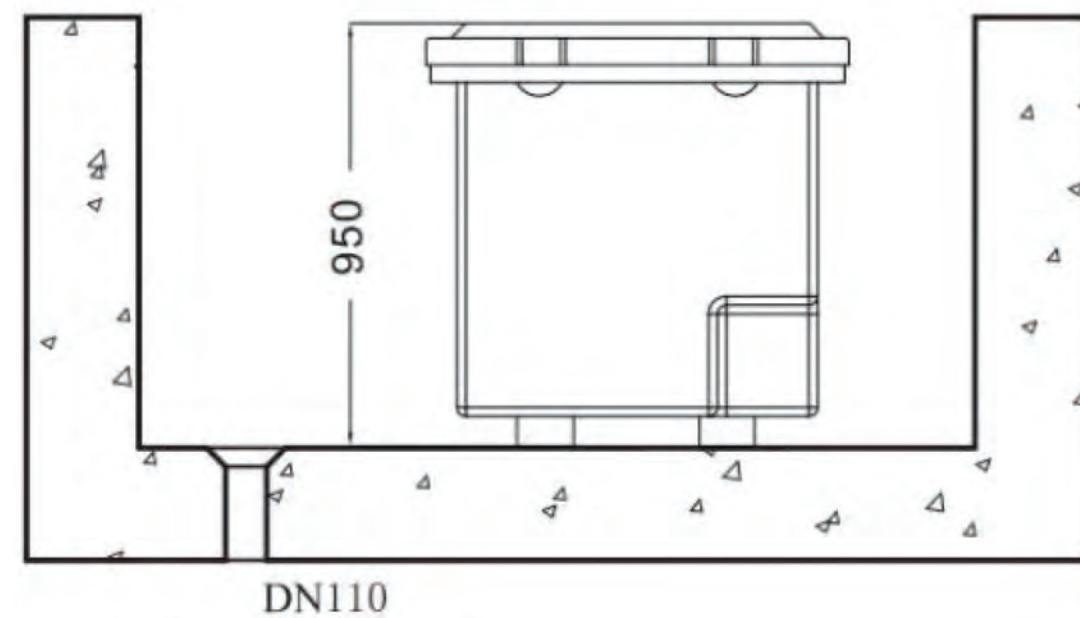
Quartz Sand Filter

Model: PK8013

The enclosure is made of high quality fiberglass and Acrylic, which is strong and durable, rust-proof, low temperature resistance and anti-UV light, etc. Equipped with filtering timing automatic control system and the automatic drainage system; easy to install, no need a special machine room.



- a: connect backwater inlet $\Phi 50$
 b: connect the water outlet $\Phi 50$
 c: connect the sewage outlet $\Phi 50$



Complete filtration
 Complete circulation
 Dose sterilization
 Circulating water pump
 Massage pump
 Pressure relief valve
 Pressure display
 6-multi-port valve
 Automatic doser
 Time controller
 Contactor

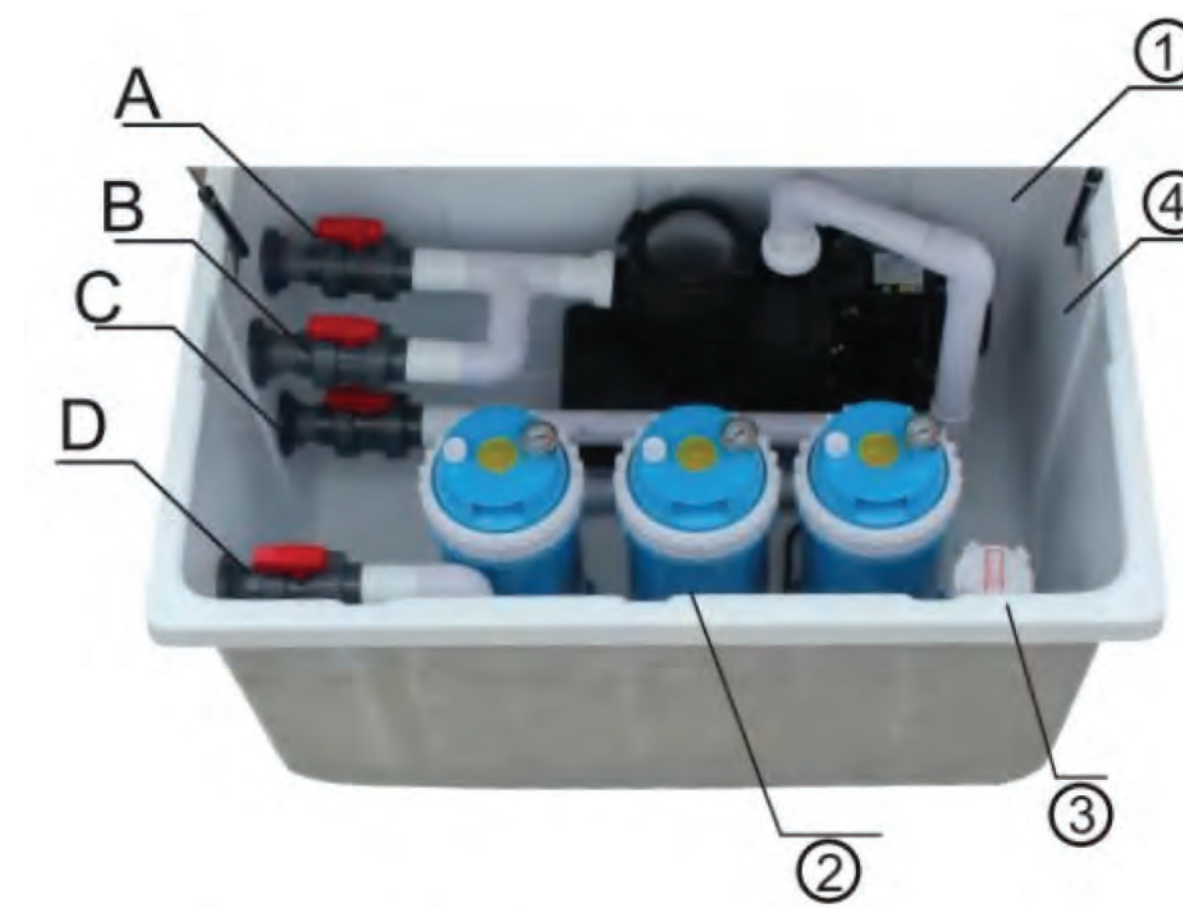
TECHNICAL CHARACTERISTICS

Power	0.5HP 0.75HP 1.0HP/220v
Filter type	Sand filter $\Phi 400\text{mm}$ / $\Phi 450\text{mm}$ / $\Phi 525\text{mm}$
Flow rate	8 m ³ /h 10 m ³ /h 12 m ³ /h
External Dimension	950x950x950mm
Water pump	120w/220v (options)
Disinfection	Sterilizer

Quartz Sand Filter

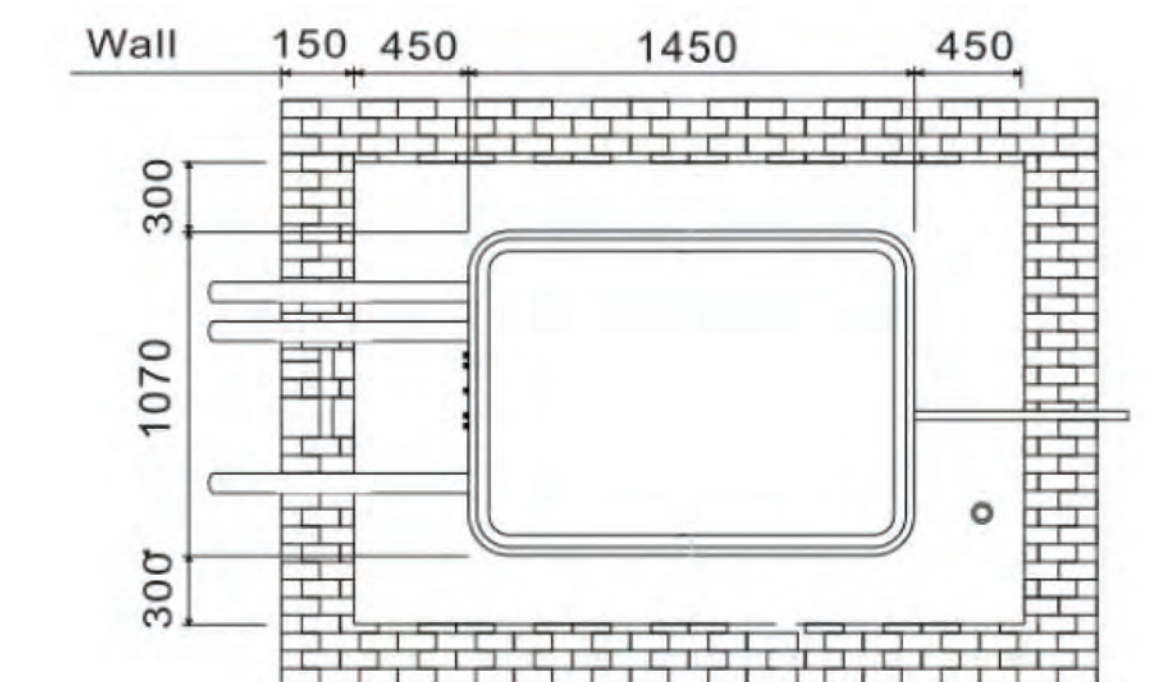
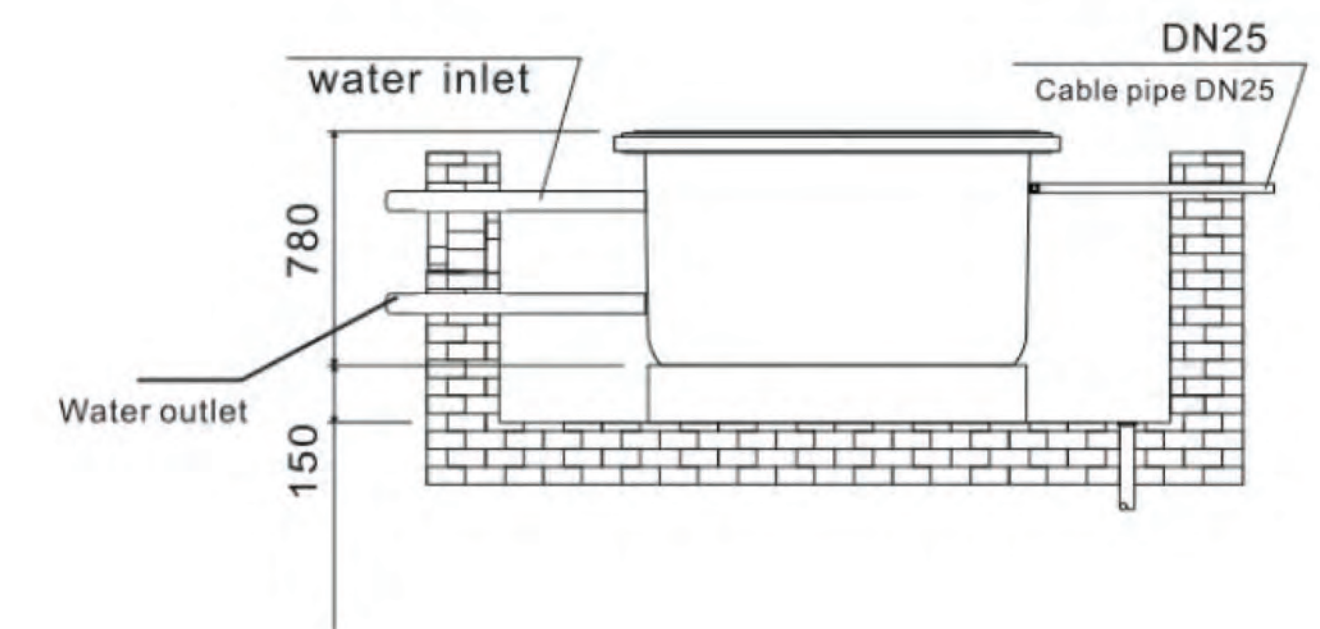
Model: PK8027

The enclosure is made of high quality fiberglass and Acrylic, which is strong and durable, rust-proof, low temperature resistance and anti-UV light, etc. Equipped with filtering timing automatic control system and the automatic drainage system; easy to install, no need a special machine room. Equipped with cartridge filter inside the box, easy to operate.



1. Filter shell
2. Cartridge filtration
3. Chlorinator feeder
4. Water pump

- A: Connect the water return
 B: Connect the water return
 C: Connect the water outlet
 D: Connect the water outlet (cartridge filtration)

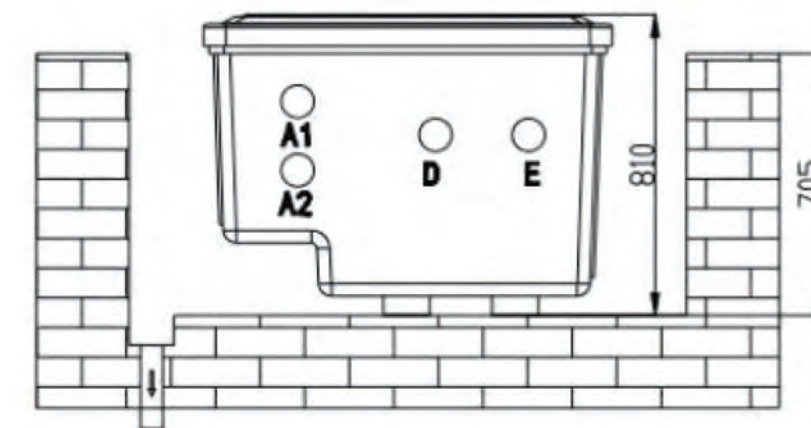


TECHNICAL CHARACTERISTICS

Power	3.0HP/220v
Filter type	Cartridge filtration AF50x3pc
Flow rate	42m ³ /h
External Dimension	1450x1070x780mm
Disinfection	Sterilizer
Water pump	120w/220v (options)

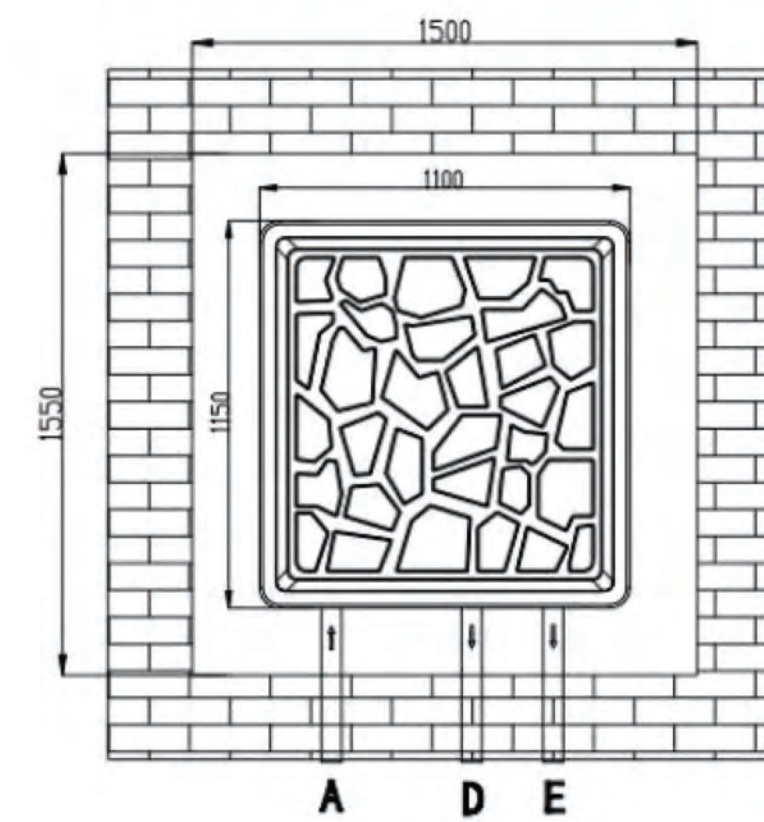
Quartz Sand Filter

Model: PK8035A

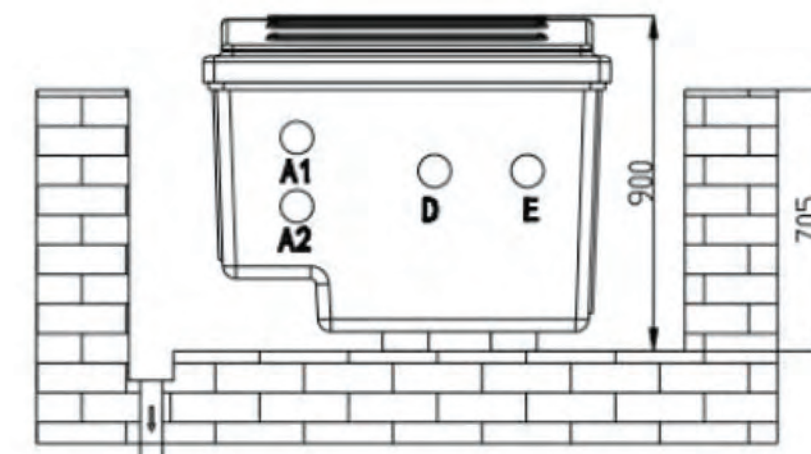


A:connect the water return,suction fitting
D:connect the circulation outlet
E:connected backwash

Power	0.75HP/220V	1.0HP/220V
Filter type	Sand filter Φ525mm	
Flow rate	10m ³ /h	12m ³ /h
External Dimension	1150X1100X810mm	
Chlorine feeder	CL-100	1pc
Time Controller	1pc	



Model: PK8035B



A:connect the water return,suction fitting
D:connect the circulation outlet
E:connected backwash

Power	1.0HP/220V	1.5HP/220V
Filter type	Sand filter Φ525mm / Φ650mm	
Flow rate	12m ³ /h	16m ³ /h
External Dimension	1150X1100X900mm	
Chlorine feeder	CL-100	1pc
Time Controller	1pc	



Pool Massage

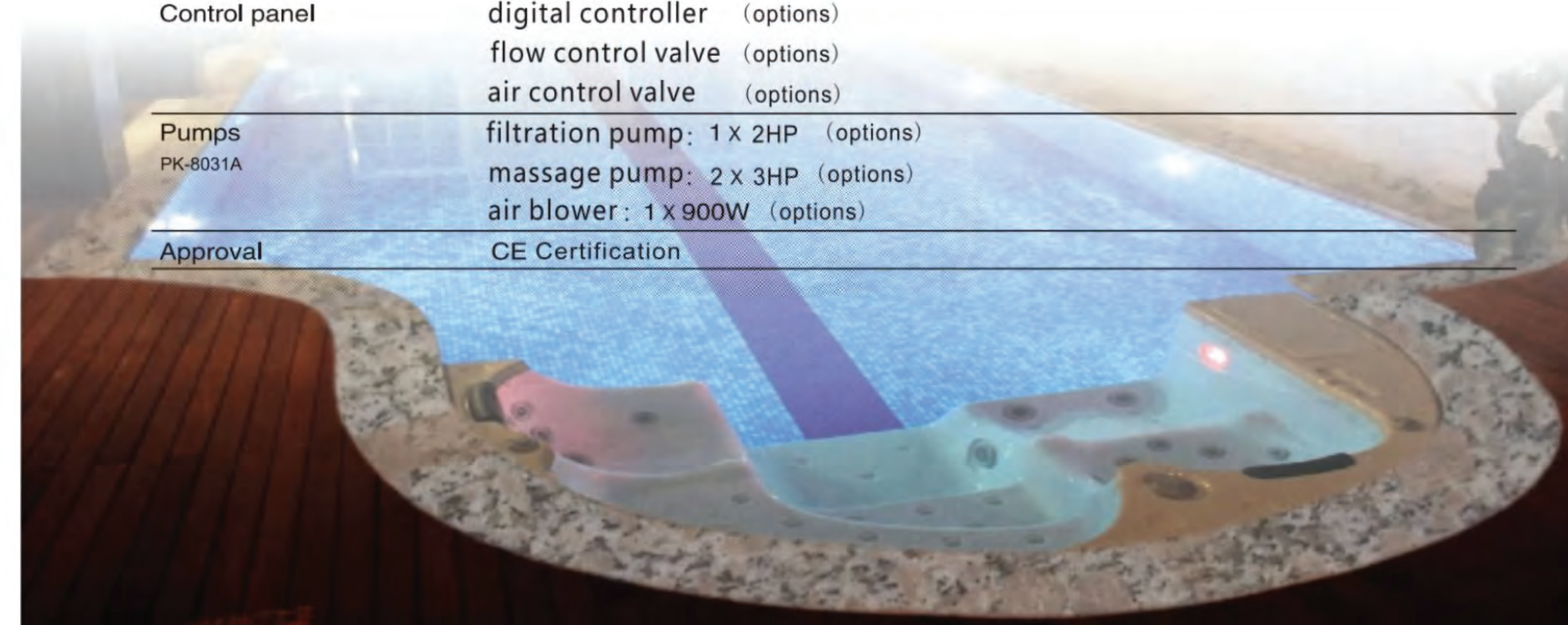
Model: PK8031



PK-8031A

TECHNICAL CHARACTERISTICS

Model No.	PK8031 Pool massage		
Material	Acrylic		
Dimension	2600(L)x1600(W)x1200(H)mm		
Weight			
Color	Bone color		
Power	220V/50Hz		
Flow rate	25 m ³ /h		
Hydrotherapy system	jet : 26pc	air jet : 30pc	s.s jet
	Circulating jet : 2pc	swim jet:1pc	
Filtering system	filter bag : 2pc water return:2pc water proof box: 1200x1000x500mm		
Treatment	ozone: 1pc (500mg/h, 132W)		
Lighting	light: 2 x 18W		
Control panel	digital controller (options) flow control valve (options) air control valve (options)		
Pumps PK-8031A	filtration pump: 1 x 2HP (options) massage pump: 2 x 3HP (options) air blower: 1 x 900W (options)		
Approval	CE Certification		



SAND FILTER SERIES

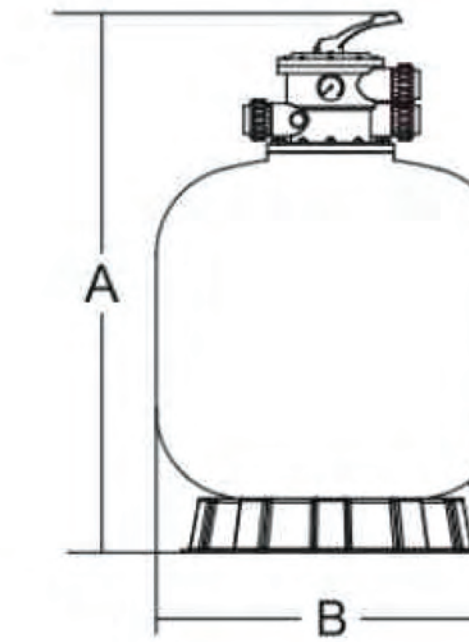


"P"Series Fiberglass Top Mount Filter

Bobbin-wound fiberglass reinforced tank is still the most popular standard in the industry after all. With UV-resistant surface finished, it is able to operate under prolong sunlight for years of reliability. P series (P400-P1400) filters are equipped with a seven-position, clamp and screw styles multi-port vane and ABS laterals.



P400-700 PQ400-700



Highlight Features:

- Max operating pressure 36psi/2.5bar
- Max temperature of 43°C (109°F)
- Universal standard of union connection provided
- Suggested size of media: 1-2mm



P750-1400



PV01-1/PV02-2



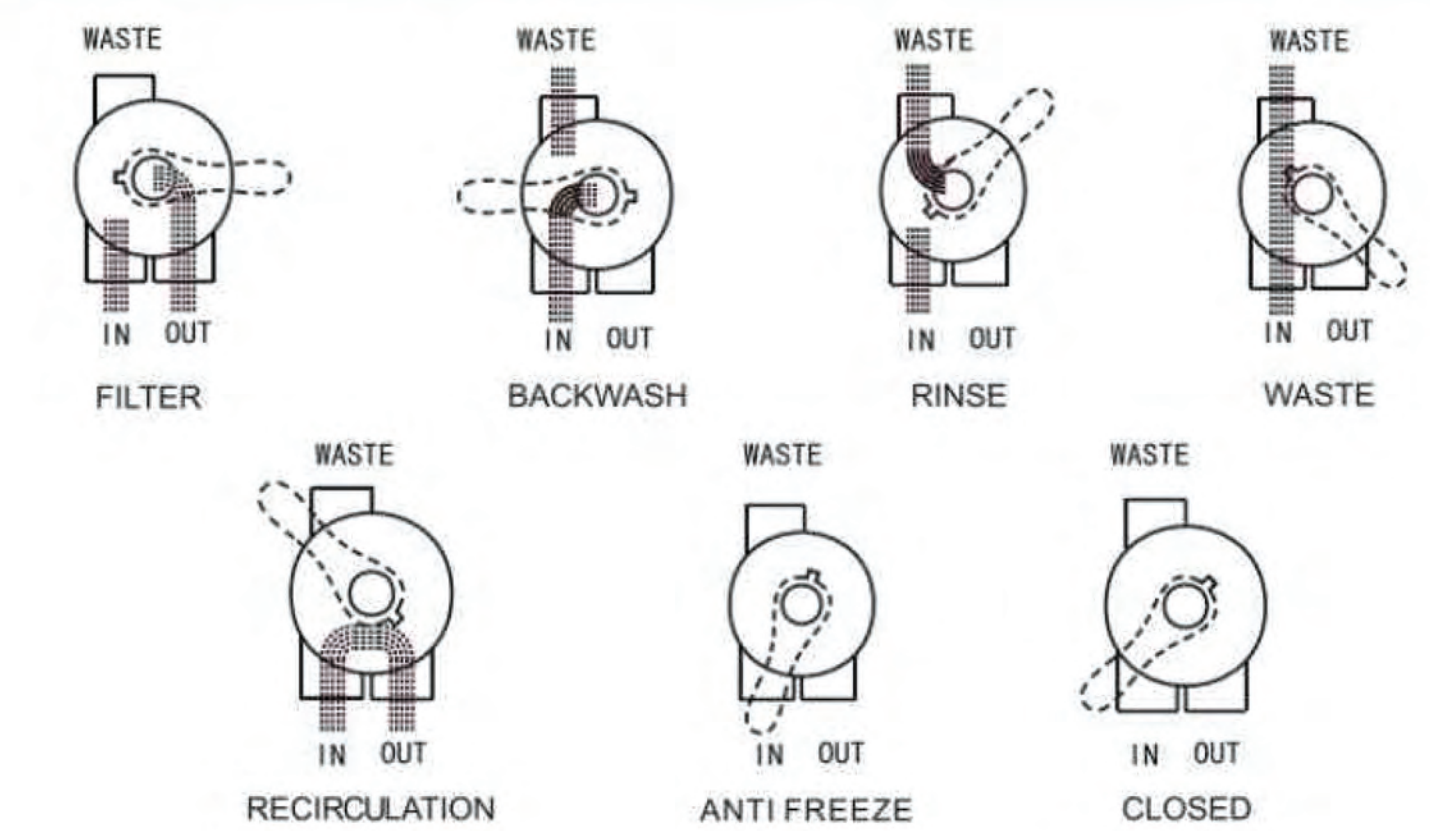
PS03-3/PS04-4

Technical Characteristics

Model	Filter Area(m ²)	Valve Connection	Max Flow Rate	Gravel(kg)	A mm	B mm
P400	0.13	1.5 inch 50mm	8 m ³ /h	35	760	400
P450	0.16	1.5 inch 50mm	10 m ³ /h	45	815	450
P525	0.22	1.5 inch 50mm	12 m ³ /h	85	880	525
P625	0.30	1.5 inch 50mm	16 m ³ /h	150	1005	625
P700	0.40	1.5 inch 50mm	20 m ³ /h	210	1100	700
P700B	0.40	2.0 inch 63mm	21 m ³ /h	215	1150	700
P750	0.45	2.0 inch 63mm	23 m ³ /h	300	1180	750
P800	0.50	2.0 inch 63mm	25 m ³ /h	355	1310	800
P900	0.64	2.0 inch 63mm	31 m ³ /h	470	1380	900
P1000	0.79	2.0 inch 63mm	36 m ³ /h	620	1495	1000
P1100	0.96	2.0 inch 63mm	42 m ³ /h	800	1580	1100
P1200	1.13	2.0 inch 63mm	45 m ³ /h	900	1600	1200
P1400	1.54	2.0 inch 63mm	56 m ³ /h	1350	1810	1400

Note: For reference only

Functions: 7-Way Multiport Valve



Model	PV01-1	PV02-2	PS03-3	PS04-4
Size	1.5 " Top mount	2.0 " Top mount	1.5 " Side mount	2.0 " Side mount

"SL"Series Fiberglass Side Mount Deep Ded Filter



SL Series Side Mount Deep Bed Filter offers a more thorough filtration with the standard of either 1.0m or 1.2m deep sand bed which is suitable for high filtration performance of domestic swimming pool.



Lateral system



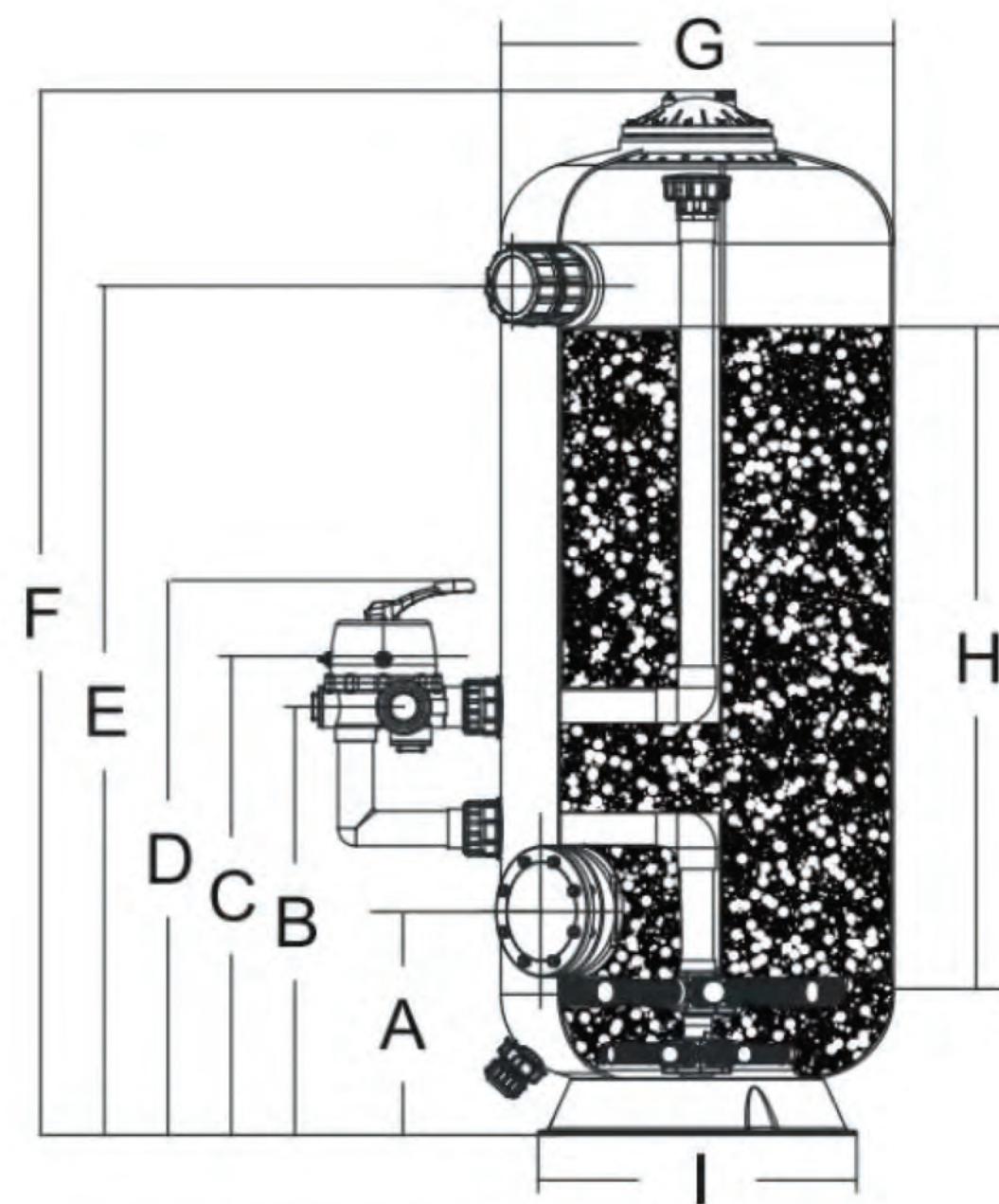
Manhole

Highlight Features:

- Max operating pressure 36psi/2.5bar
- Max temperature of 43°C (109°F)
- Maximum filtration velocity: 50m³/h/m²
- Universal standard of union connection provided
- Suggested size of media: 1-2mm
- Dual layers of laterals
- 4" Sight glass
- 158mm manhole for servicing
- 2" bottom drain

Technical Characteristics

Model	Filter Area(m ²)	Valve Connection	Max Flow Rate	Gravel(kg)
SL700-1.0	0.38	1.5 inch 50mm	253lpm 15.20m ³ /h	580
SL700-1.2	0.38	1.5 inch 50mm	253lpm 15.20m ³ /h	696
SL800-1.0	0.50	2.0 inch 63mm	333lpm 20.00m ³ /h	769
SL800-1.2	0.50	2.0 inch 63mm	333lpm 20.00m ³ /h	914
SL900-1.0	0.63	2.0 inch 63mm	420lpm 25.2m ³ /h	957
SL900-1.2	0.63	2.0 inch 63mm	420lpm 25.2m ³ /h	1146
SL1000-1.0	0.78	2.0 inch 63mm	520lpm 31.20m ³ /h	1204
SL1000-1.2	0.78	2.0 inch 63mm	520lpm 31.20m ³ /h	1436



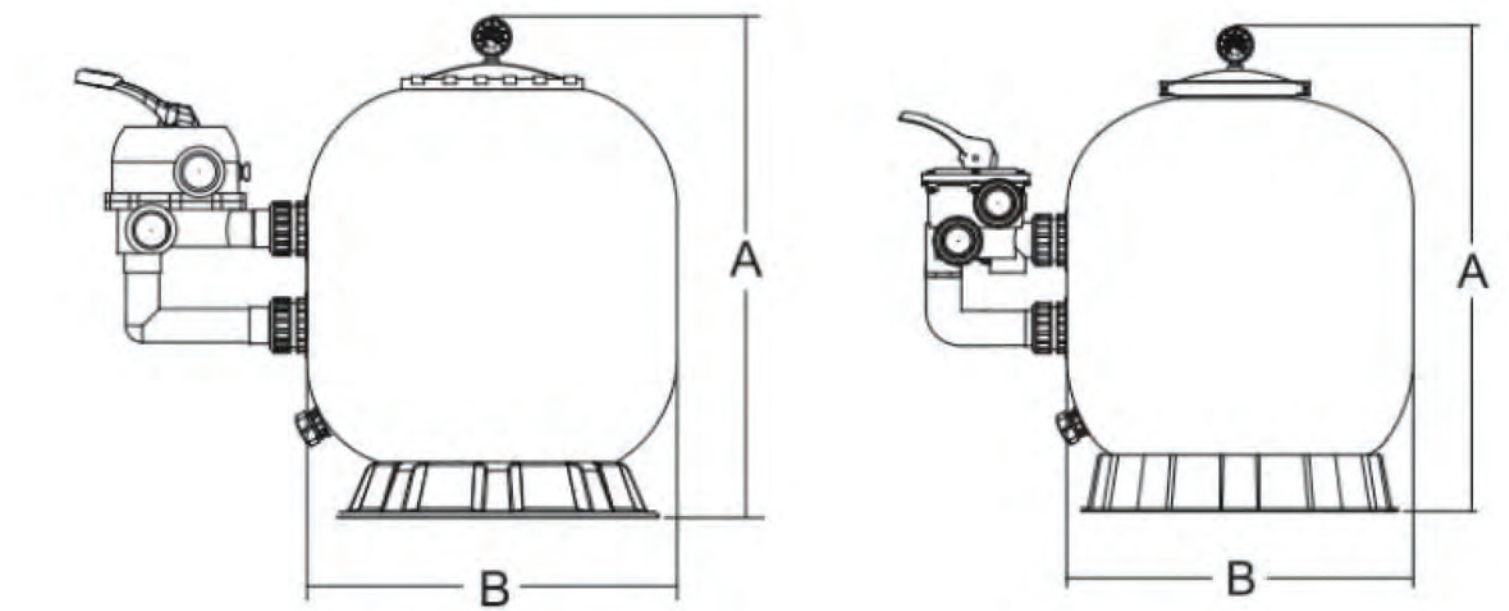
Mode	A mm	B mm	C mm	D mm	E mm	F mm	G mm	H mm	I mm
SL700-1.0	388	758	844	987	1320	1672	700	1000	576
SL700-1.2	388	758	844	987	1520	1872	700	1200	576
SL800-1.0	422	752	838	981	1313	1702	800	1000	800
SL800-1.2	422	752	838	981	1513	1902	800	1200	800
SL900-1.0	441	771	857	1000	1331	1735	900	1000	800
SL900-1.2	441	771	857	1000	1531	1935	900	1200	800
SL1000-1.0	515	885	971	1114	1406	1813	1000	1000	995
SL1000-1.2	600	970	971	1199	1560	2013	1000	1200	995

Note: Suggested sand weight varies with differences in filter media size. For reference only

"PS"Series Fiberglass Side Mount Filter



PS525-700



Bobbin-wound fiberglass reinforced tank is still the most popular standard in the industry after all. With UV-resistant surface finished, it is able to operate under prolong sunlight for years of reliability. "PS"series filters are equipped with a seven position, clamp and screw styles multi-port valve and ABS laterals.

Highlight Features:

- Max operating pressure 36psi/2.5bar
- Max temperature of 43°C (109°F)
- Universal standard of union connection provided
- Suggested size of media: 1-2mm

Technical Characteristics

Model	Filter Area(m ²)	Valve Connection	Max Flow Rate	Gravel(kg)	A mm	B mm
PS525	0.22	1.5 inch 50mm	12 m ³ /h	85	780	525
PS625	0.30	1.5 inch 50mm	16 m ³ /h	150	880	625
PS700	0.40	1.5 inch 50mm	20 m ³ /h	210	945	700
PS700B	0.40	2.0 inch 63mm	21 m ³ /h	215	945	700
PS750	0.45	2.0 inch 63mm	23 m ³ /h	300	960	750
PS800	0.50	2.0 inch 63mm	25 m ³ /h	355	1080	800
PS900	0.64	2.0 inch 63mm	31 m ³ /h	470	1100	900
PS1000	0.79	2.0 inch 63mm	36 m ³ /h	620	1285	1000
PS1100	0.96	2.0 inch 63mm	42 m ³ /h	800	1380	1100
PS1200	1.13	2.0 inch 63mm	45 m ³ /h	900	1500	1200
PS1400	1.54	2.0 inch 63mm	56 m ³ /h	1350	1580	1400

Note: For reference only



PS750-1400

PS525-700



PS750-1400



“PL”Series Fiberglass Side Mount Filter

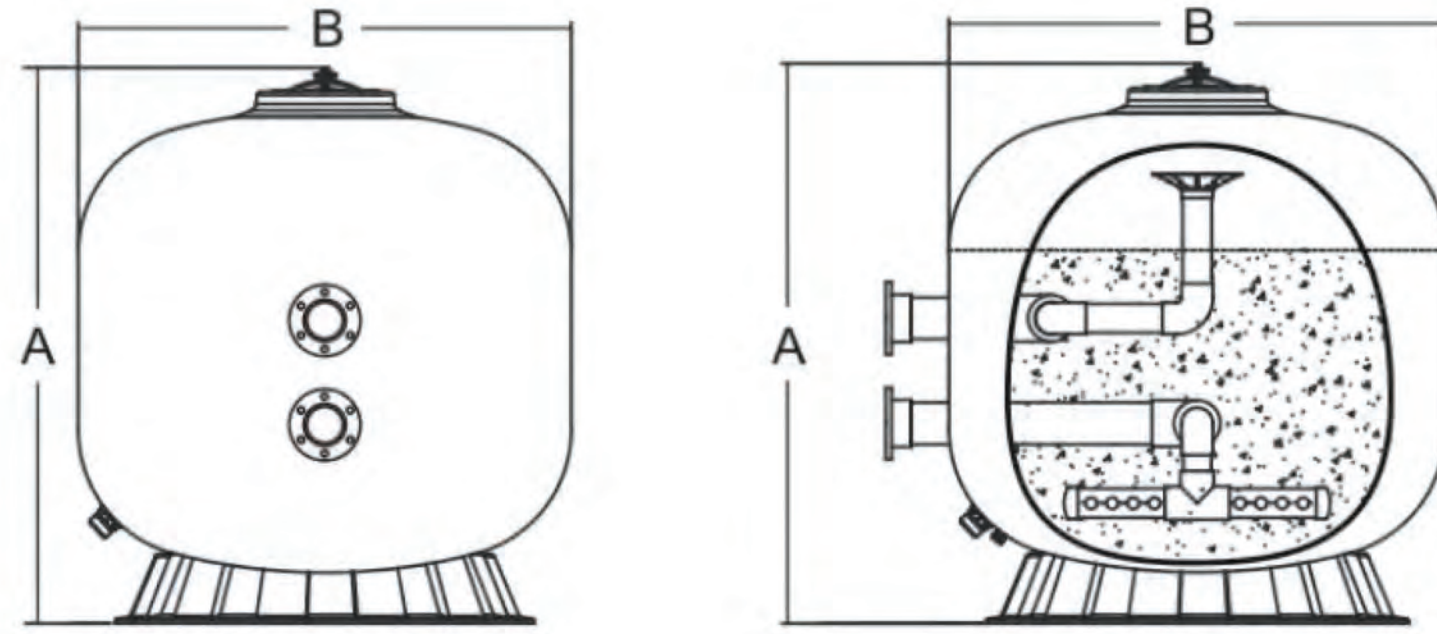


PL1200-2350

PL Series Commercial Sand Filter satisfies the demand of differen water treatment including pools installed within-floor cleaning systems spa, fountains and public swimming pool.

Highlight Features:

- Max operating pressure 36psi/2.5bar
- Max temperature of 43°C (109°F)
- Universal standard of union connection provided
- Suggested size of media: 1-2mm



water inlet



water outlet

Technical Characteristics

Model	Filter Area(m²)	Valve Connection	Max Flow Rate	Gravel(kg)	A mm	B mm
PL1200	1.13	3.0inch 90mm	55 m³/h	900	1410	1200
PL1400	1.54	3.0inch 90mm	76 m³/h	1350	1570	1400
PL1600	2.06	4.0inch 110mm	100m³/h	2300	1740	1600
PL1800	2.52	6.0inch 160mm	120m³/h	2900	2040	1800
PL2000	2.97	6.0inch 160mm	145m³/h	4000	2210	2000
PL2300	4.43	8.0inch 200mm	200m³/h	6000	2510	2300
PL2350	4.43	8.0inch 200mm	210m³/h	6600	2510	2350

Note: For reference only

4/5 Way Butterfly Valve



PA-01
4 Way butterfly valve

Maximun Working Pressure: 250kPa/36psi/2.5bar
Factory Testing Pressure: 400kPa/58psi/4.0bar
Maximum Water Temperature: 43° C(109° F)



PA-02
5 Way butterfly valve

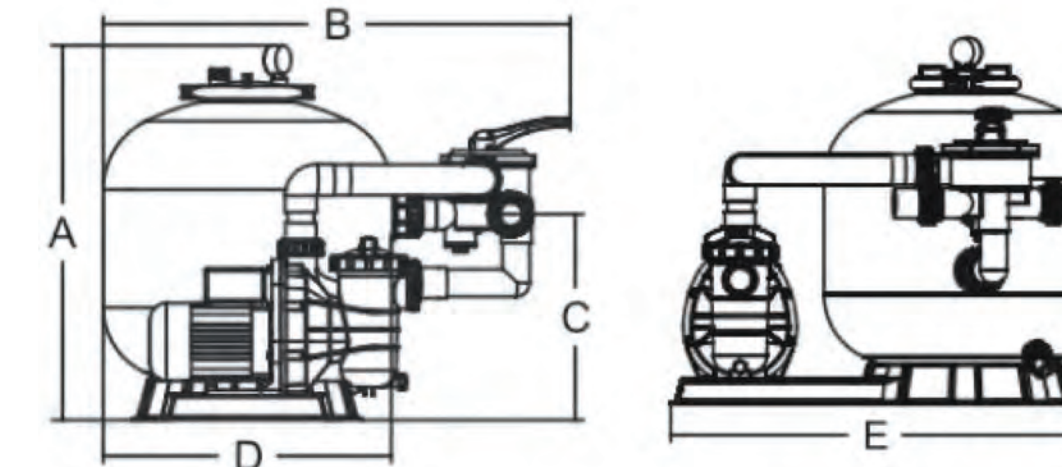
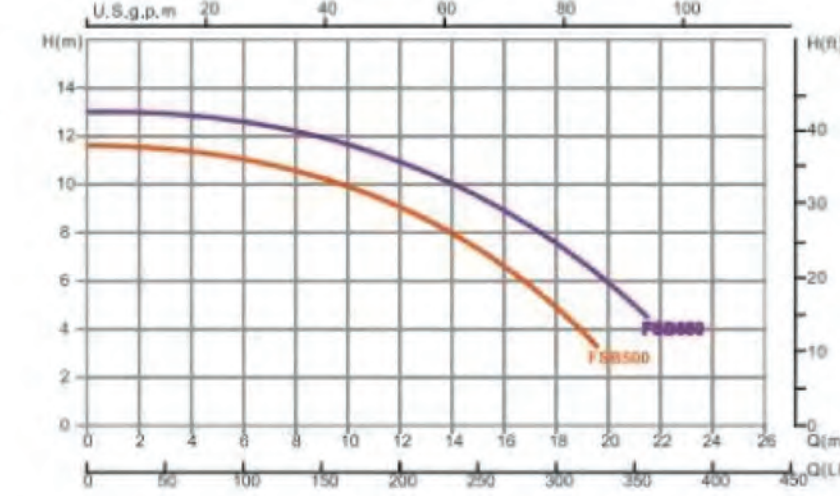
“FSB”Series Fiberglass Combo



Designed for easy set-up domestic pool, “FSB” Series filtration combo offers the right solution for home user who is looking for user-friendly and excellent filtration performance.FSB Series Filtration Combo includes top mount fiberglass filter tank, 7-way multi-port value, swimming pool pumps attached with base.

Highlight Features:

- Max operating pressure 36psi/2.5bar
- Max temperature of 43°C (109°F)
- Universal standard of union connection provided
- Suggested size of media: 1-2mm



Technical Characteristics

Model No	Filter	Pump	Valve Connections	Sand (kg)
FSB500-6W	PS525	STP100	1.5 inch 50mm	85
FSB650-6W	PS625	STP120	1.5 inch 50mm	145

Model No	A mm	B mm	C mm	D mm	Max Flow Rate
FSB500-6W	770	867	390	527	185lpm 11.10m³/h
FSB650-6W	850	967	430	627	260lpm 15.60m³/h

Note:Suggested sand weight varies with differences in filter media size.For reference only

“PSF”Series Fiberglass Combo



Designed for easy set-up domestic pool,“PSF” Series filtration combo offers the right solution for home user who is looking for user-friendly and excellent filtration performance. PSF Series Filtration Combo includes top mount fiberglass filter tank, 7-way multi-port value, swimming pool pumps attached with base.

Highlight Features:

- Max operating pressure 36psi/2.5bar
- Max temperature of 43°C (109°F)
- Universal standard of union connection provided
- Suggested size of media: 1-2mm

Technical Characteristics

Model No	Max Flow Rate	Filter	Pump	Valve Connections	Sand (kg)
PSF400-6W	6.48	P400	STP50	1.5inch 50mm	35
PSF450-6W	8.10	P450	STP75	1.5inch 50mm	45
PSF525-6W	11.1	P525	STP100	1.5inch 50mm	85
PSF625-6W	15.6	P625	STP120	1.5inch 50mm	150

Note:Suggested sand weight varies with differences in filter media size.For reference only

Stainless Steel Filter Series



Top-mount sand filter



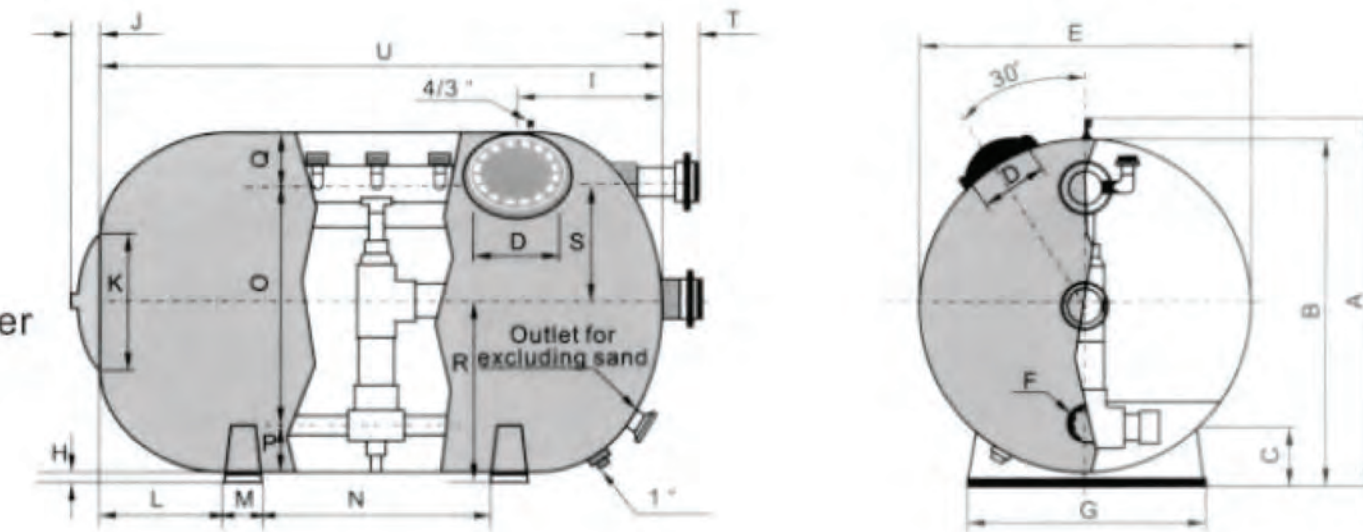
Side-mount sand filter



Horizontal commercial sand filter

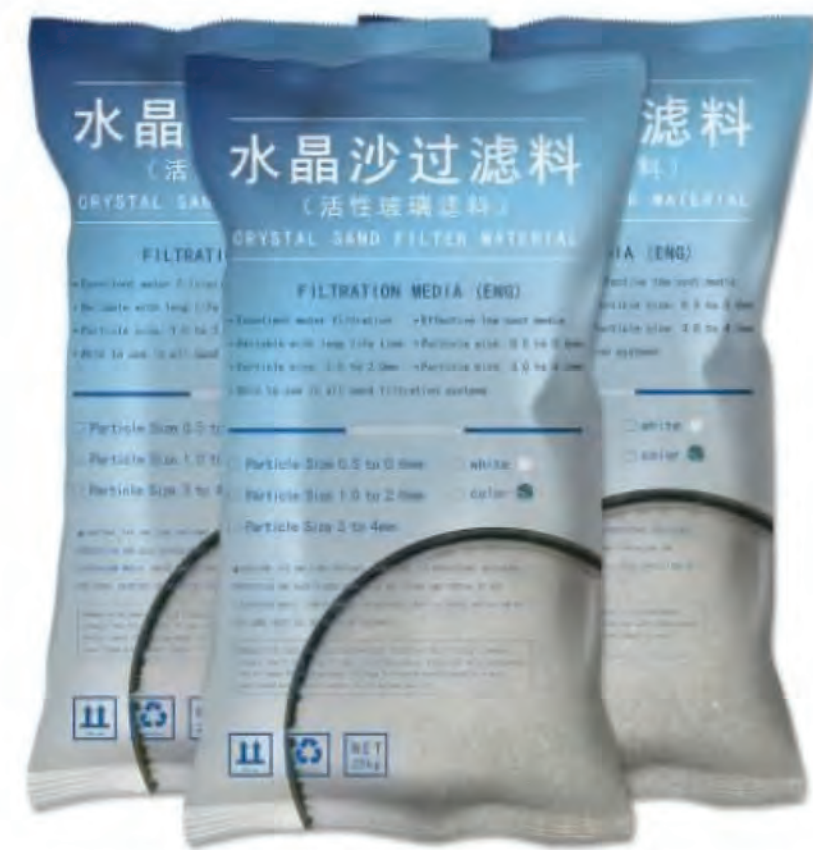
Top-mount sand filter							
Model No.	(mm) Tank dia	(mm) Height	(inch) Pipe size	(m ²) FILTER AREA	(kg) Silica sand	(m ³ /h) Flow	(kg/cm ²) Pressure
D400	400	800	1.5	0.13	70	6.7	2.5
D500	500	870	1.5	0.22	100	10.8	2.5
D600	600	970	1.5	0.36	170	16.4	2.5
D700	700	1000	2.0	0.41	190	21.3	2.5
D800	800	1160	2.0	0.51	300	26.8	2.5
D900	900	1260	2.0	0.65	400	32.6	2.5
D1000	1000	1270	2.0	0.81	500	40.3	2.5

Side-mount sand filter							
Model No.	(mm) Tank dia	(mm) Height	(inch) Pipe size	(m ²) FILTER AREA	(kg) Silica sand	(m ³ /h) Flow	(kg/cm ²) Pressure
D1200	1200	1450	3	1.14	1100	55	2.5
D1400	1400	1570	4	1.56	1900	76	2.5
D1600	1600	1760	4	2.01	2300	100	2.5
D1800	1800	2040	4	2.54	2900	129	2.5
D2000	2000	2240	6	2.97	4600	147	2.5
D2200	2200	2520	6	4.10	5800	218	2.5
D2300	2300	2550	6	4.43	6000	220	2.5
D2500	2500	2680	8	4.89	6700	240	2.5



Horizontal Commercial Sand Filter																					
Code	A	B	C	D	E	F	G	H	I	J	K	L	M	N	O	P	Q	R	S	T	U
040416	1800	1700	400	φ400	1600	φ160	1320	100	1050	120	φ500	480	260	870	990	250	360	900	440	100	2350
040418	2020	1920	400	φ400	1800	φ160	1480	100	1050	120	φ500	500	260	1080	1090	250	460	1000	440	100	2800
040420	2260	2160	600	φ400	2000	φ160	1640	120	1050	120	φ500	700	300	1100	1270	350	380	1120	550	160	3000
040424	2660	2560	600	φ400	2400	φ160	2300	120	1050	120	φ500	900	300	1480	1470	350	580	1320	550	160	3000
040425	2760	2660	600	φ400	2500	φ160	2300	120	1050	120	φ500	1050	300	1600	1520	350	630	1370	550	160	3000

Crystal Sand Filter Material



PD01

The paper core crystal sand filter material can effectively reduce the frequency of electric backwashing and save the number of water use; it has more advantages than quartz sand. Higher wear resistance, longer service life, not easy to break. No biofilm will be formed, and the surface area is 300 times larger than that of sand; suitable for use for filtration of gymnasium swimming pools, dedicated to marine aquariums, private villa swimming pools, and children's water parks.

Technical Characteristics	
Size (mm)	Weight (kg/bag)
0.5-0.8	25
1.0-2.0	25
3.0-4.0	25

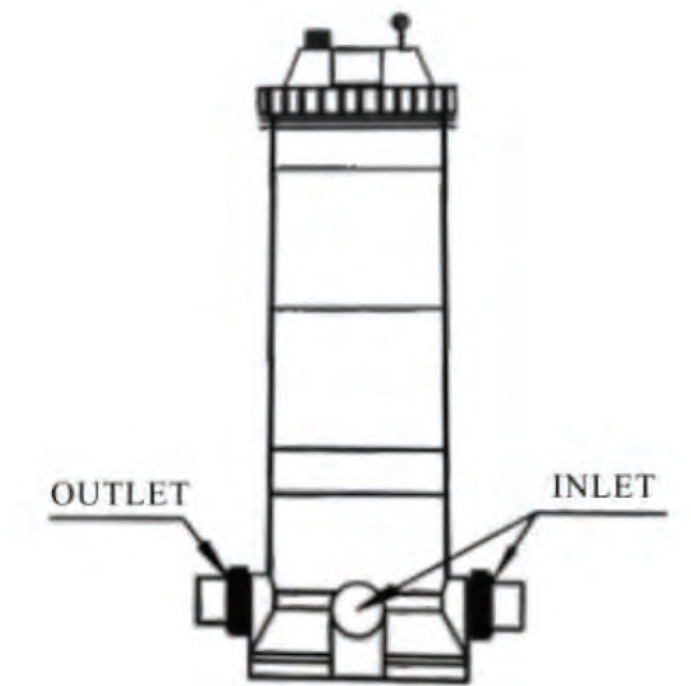
Cartridge Filter



Cartridge filtration is an effective trouble-free proven method of filtration. Pool water enters the filter and passes through a polyester single element cartridge. Suspended particles are trapped and the water is returned to the pool. As the build-up of dirt in the element increases, so the water pressure rises and the flow decreases. When the pressure reaches an unacceptable level the element must be removed and cleaned.

AF Paper

Model	Core diameter (mm)	Caliber (mm)	High (cm)	Filter material	Filtration accuracy (μm)
AF25	Φ183	Φ78	18.45	white precision polyEster fiber fabric	≤15
AF50	Φ183	Φ78	36.45		
AF75	Φ183	Φ78	54.45		
AF100	Φ183	Φ78	72.45		
AF150	Φ183	Φ78	90.45		



AF Cartridge Filter

Technical Characteristics					Package Dimensions					
Model	Diameter (mm)	High (mm)	Pump selection range (w)	Filter area (m ²)	Flow (m ³ /h)	Greatest pressure (kpa)	Long cm	Width cm	High cm	Weight kg
AF25	225	387	250-370	2.3	7.0	350	32	32	51	5.85
AF50	225	567	550-750	4.7	14.0	350	32	32	69	7.35
AF75	225	747	750-1100	7.0	17.0	350	32	32	86	9.05
AF100	225	927	1100-1500	9.4	22.9	350	32	32	104.5	10.8
AF150	225	1107	1100-2200	14.0	33.4	350	32	32	122	12.6

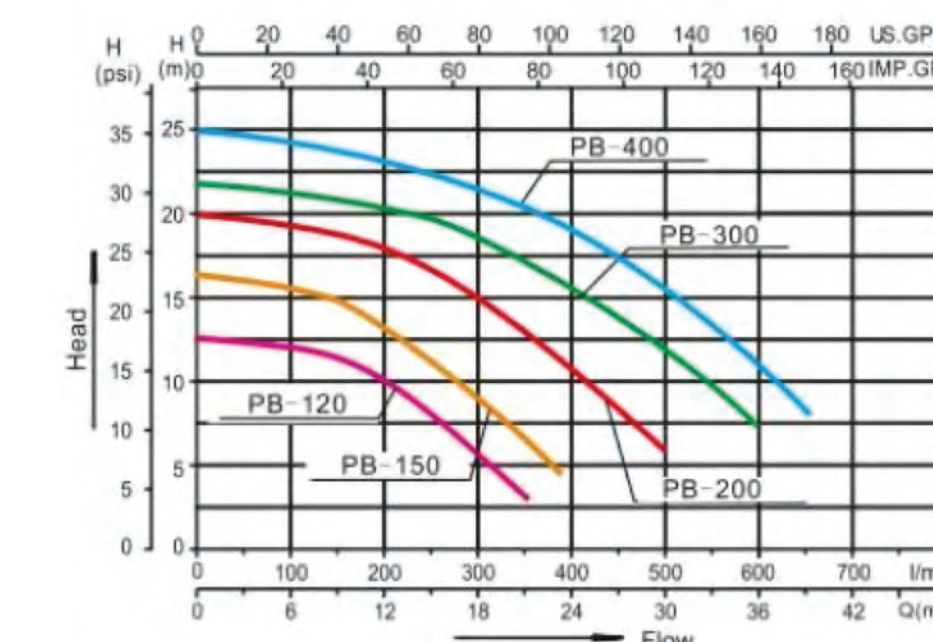
PUMP SERIES



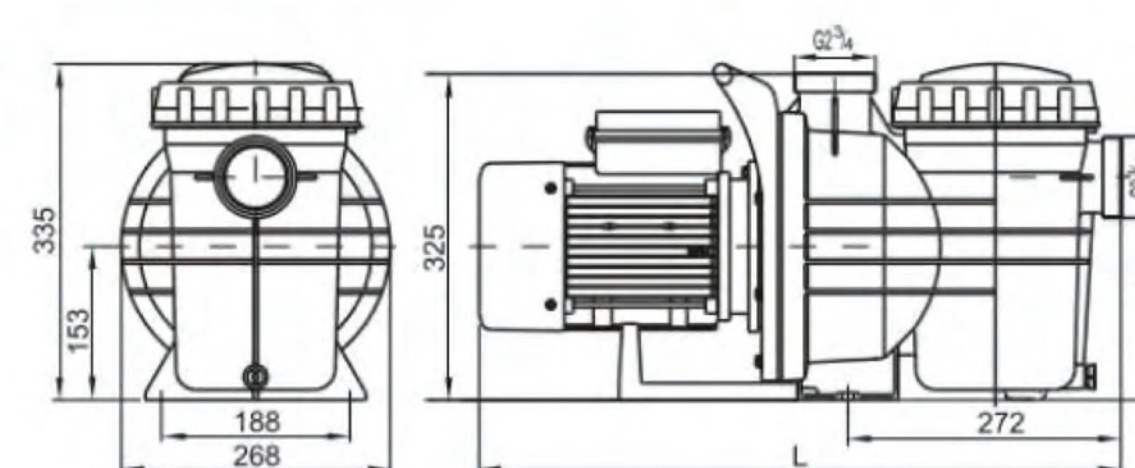
NEW "PB" Series Pump



NEW "PB" series heavy duty pump delivers high flow and energy efficiency ultra performance. It is suitable for commercial swimming pool. 2 inch suction. Ring lock seal design to eliminate suction leaks and to maximize suction efficiency.



overall dimension



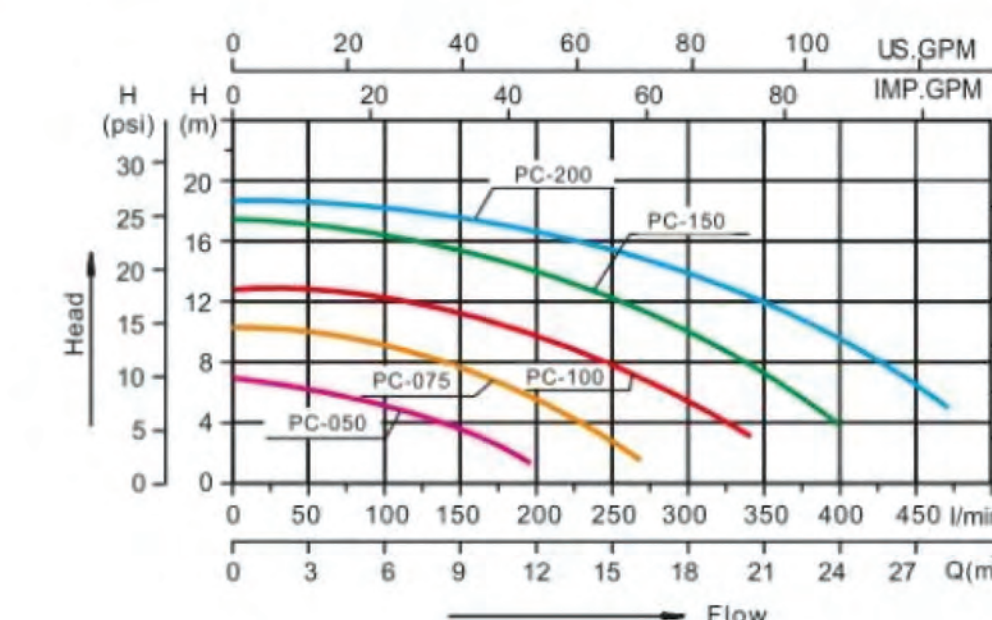
Technical Characteristics

New Model	Power(P ₁)		Q _{max} (l/min)	H _{max} (m)	Voltage (V)	Fitting size (mm)	Packing size (mm)
	KW	HP					
PB-120	0.9	1.2	350	12.5	220	60.3or63	675x315x420
PB-150	1.1	1.5	380	16.5	220	60.3or63	675x315x420
PB-200	1.5	2.0	500	20	220	60.3or63	675x315x420
PB-300	2.2	3.0	600	22	220	60.3or63	675x315x420
PB-300	2.2	3.0	600	22	380	60.3or63	675x315x420
PB-400	3.0	4.0	650	25	380	60.3or63	700x315x420

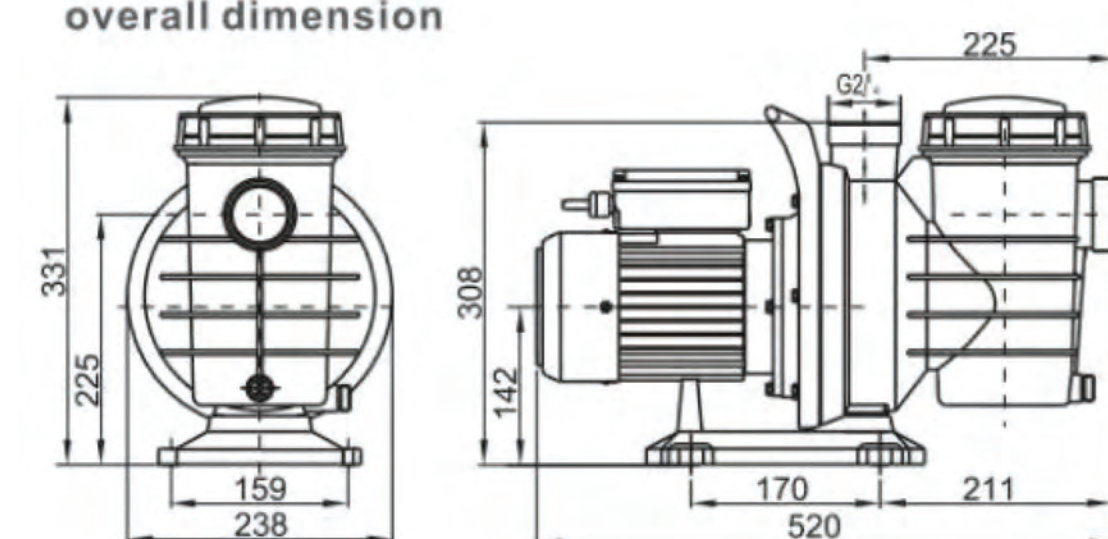
NEW "PC" Series Pump



NEW "PC" series swimming pool pump is designed for medium head installation in medium or domestic pool. 1.5 inch suction and discharge port with transparent lid. It operates at a low decibel and easy maintenance.



overall dimension



Technical Characteristics

New Model	Q _{max} (l/min)	H _{max} (m)	Voltage (V/Hz)	Power(P ₁)		Current (Amps)	Fitting size (mm)	Weight (Kg)
				KW	HP			
PC-050	195	7	220-240/50	0.37	0.50	1.9	48.5or50	9.6
PC-075	255	10	220-240/50	0.55	0.75	2.7	48.5or50	10.7
PC-100	340	12.5	220-240/50	0.75	1.0	3.8	48.5or50	11.3
PC-150	390	17.5	220-240/50	1.1	1.5	5.8	48.5or50	13
PC-200	470	18.5	220-240/50	1.5	2.0	7.0	48.5or50	13.8

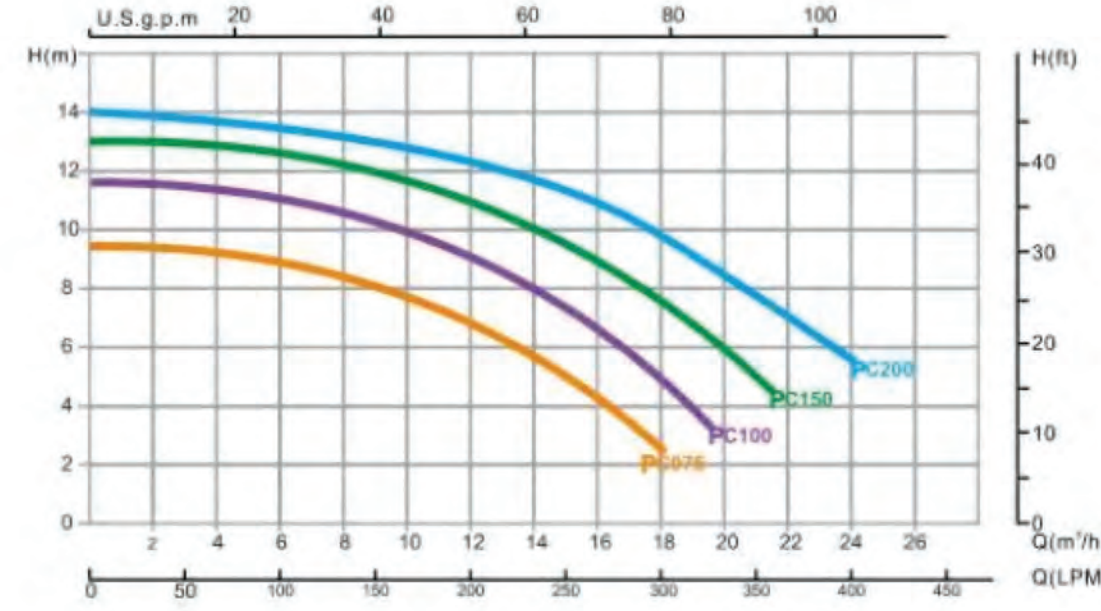
"PC" Series Pump



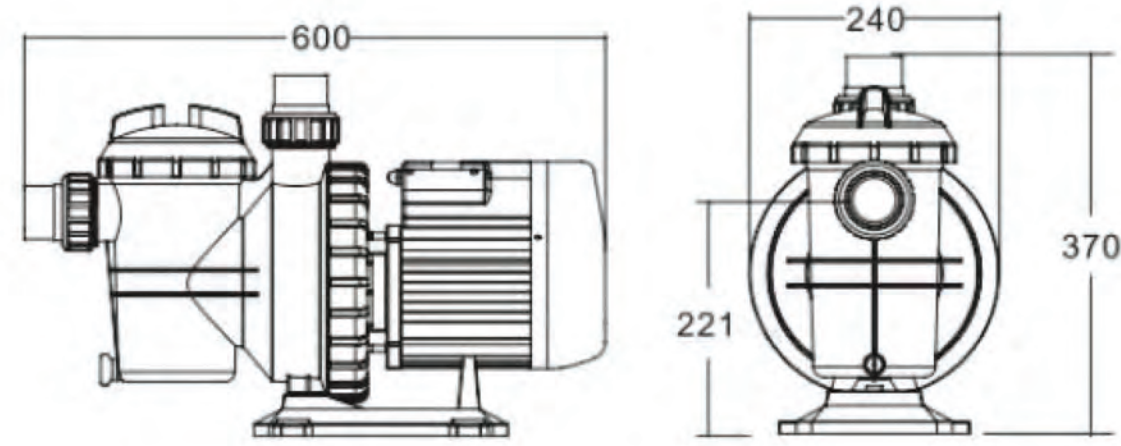
Highlight Features:

- *Asynchronous, two poles
- *Class insulation: 130
- *IPX5 waterproof standard
- *Built-in thermal protection
- *Overload protection
- *Available for 50Hz or 60Hz with 220v/380v/110v
- *Special design union compatible for both Imperial and Metric measurement standard

"PC" series swimming pool pump is designed for medium head installation in medium or domestic pool. 1.5 inch suction and discharge port with transparent lid. It operates at a low decibel and easy maintenance.



Model	Input power	Horse power	Port size	Weight (kg)
PC075	0.55KW	0.75HP	1.5 inch / 50mm	12.10
PC100	0.75KW	1.0 HP	1.5 inch / 50mm	13.40
PC150	1.10KW	1.5 HP	1.5 inch / 50mm	14.90
PC200	1.50KW	2.0 HP	1.5 inch / 50mm	15.40



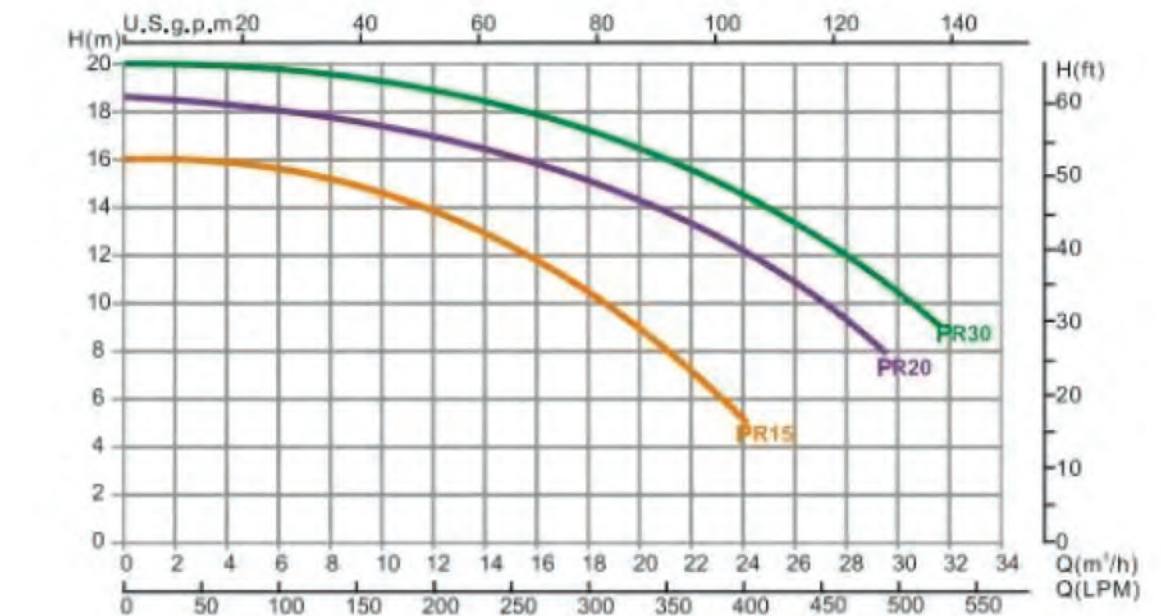
"PR" Series Pump



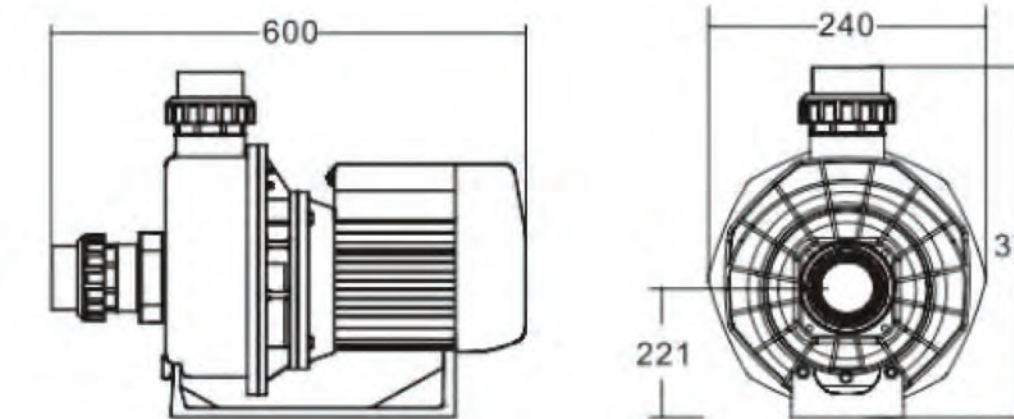
Highlight Features:

- *Asynchronous, two poles
- *Class insulation: 130
- *IPX5 waterproof standard
- *Built-in thermal protection
- *Overload protection
- *Available for 50Hz or 60Hz with 220v/380v/110v
- *Special design union compatible for both Imperial and Metric measurement standard

"PR" series heavy duty pump delivers high flow and energy efficiency ultra performance. It is suitable for commercial spa pool. 2 inch suction and discharge port with transparent lid. Ring lock seal design to eliminate suction leaks and to maximize suction efficiency.



Model	Input power	Horse power	Port size	Weight (kg)
PR15	1.10KW	1.5 HP	2.0 inch / 63mm	16.30
PR20	1.50KW	2.0 HP	2.0 inch / 63mm	19.70
PR30	2.20KW	3.0 HP	2.0 inch / 63mm	22.10



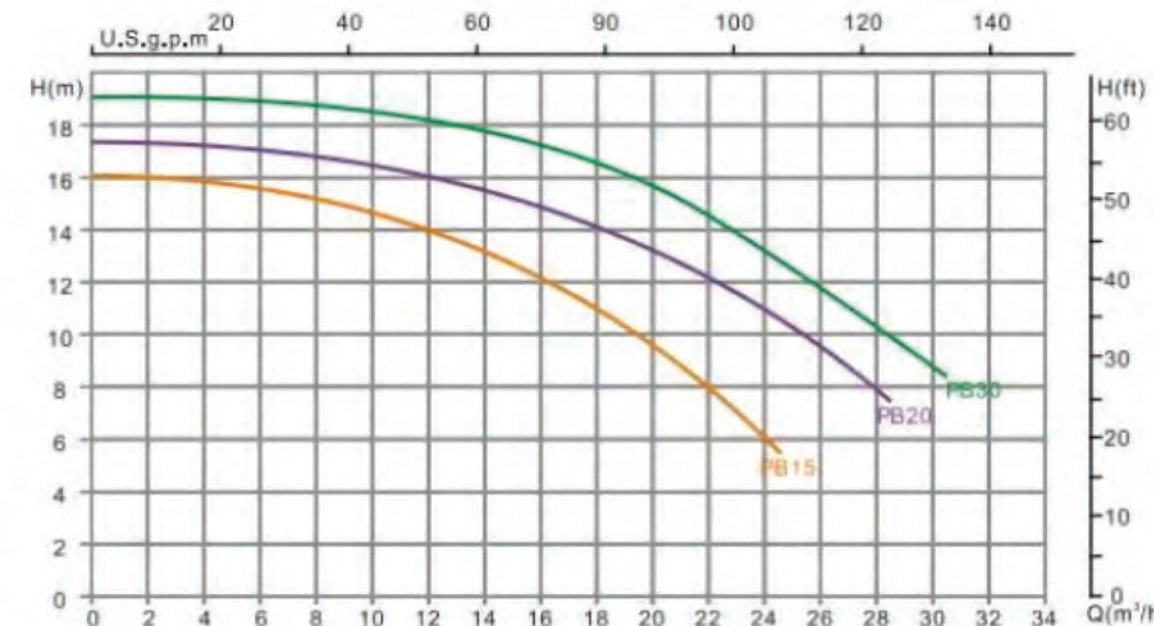
"PB" Series Pump



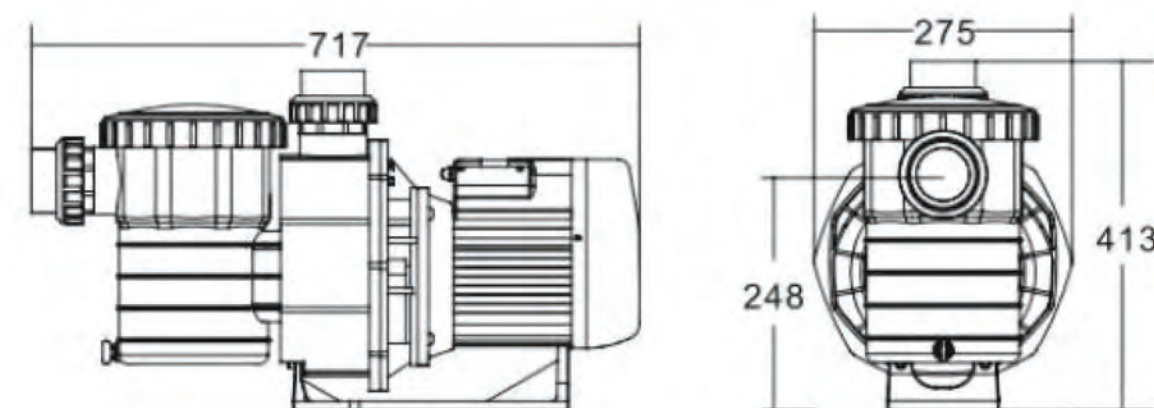
Highlight Features:

- *Asynchronous, two poles
- *Class insulation: 130
- *IPX5 waterproof standard
- *Built-in thermal protection
- *Overload protection
- *Available for 50Hz or 60Hz with 220v/380v/110v
- *Special design union compatible for both Imperial and Metric measurement standard

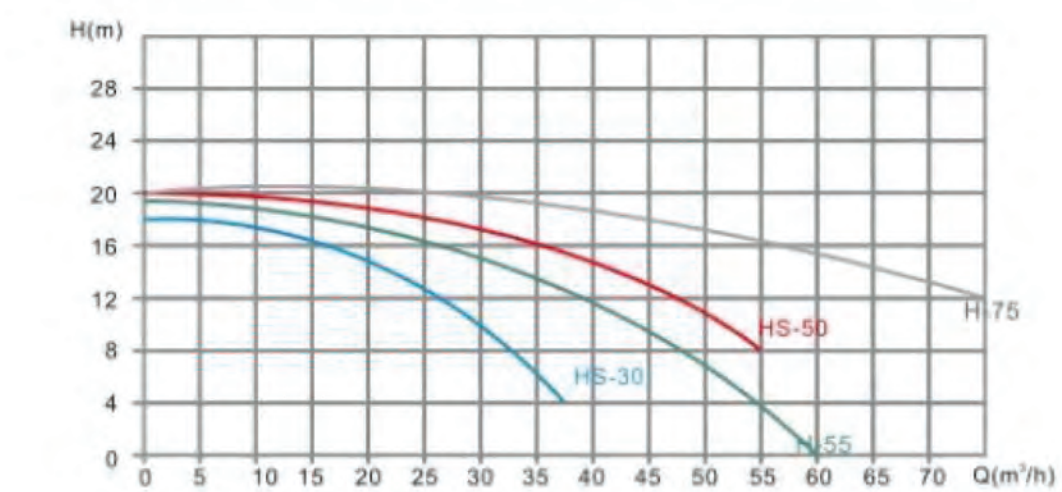
"PB" series heavy duty pump delivers high flow and energy efficiency ultra performance. It is suitable for commercial swimming pool. 2 inch suction and discharge port with transparent lid. Ring lock seal design to eliminate suction leaks and to maximize suction efficiency.



Model	Input power	Horse power	Port size	Weight (kg)
PB15	1.10KW	1.5hp	2.0 inch / 63mm	17.00
PB20	1.50KW	2.0hp	2.0 inch / 63mm	23.00
PB30	2.20KW	3.0hp	2.0 inch / 63mm	24.00

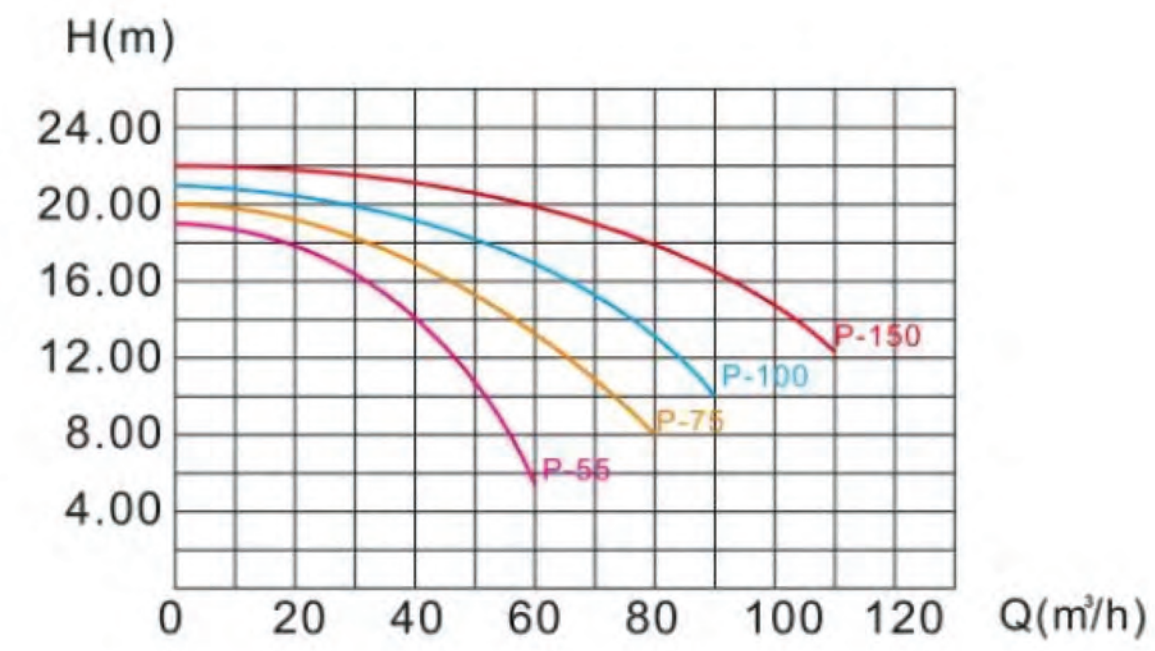


"HS" Series Pump



Model	Qmax (m³/h)	Hmax (m)	Voltage (V/Hz)	Power		Inlet øD (inch)	Outlet øE (inch)
				KW	HP		
HS-30	38	18	380/50	2.2	3	2.5"/75mm	2.5"/75mm
HS-50	55	20	380/50	3.8	5	2.5"/75mm	2.5"/75mm
H-55	60	19	380/50	4.0	5.5	3.0"/90mm	3.0"/90mm
H-75	80	20	380/50	5.5	7.5	3.0"/90mm	3.0"/90mm

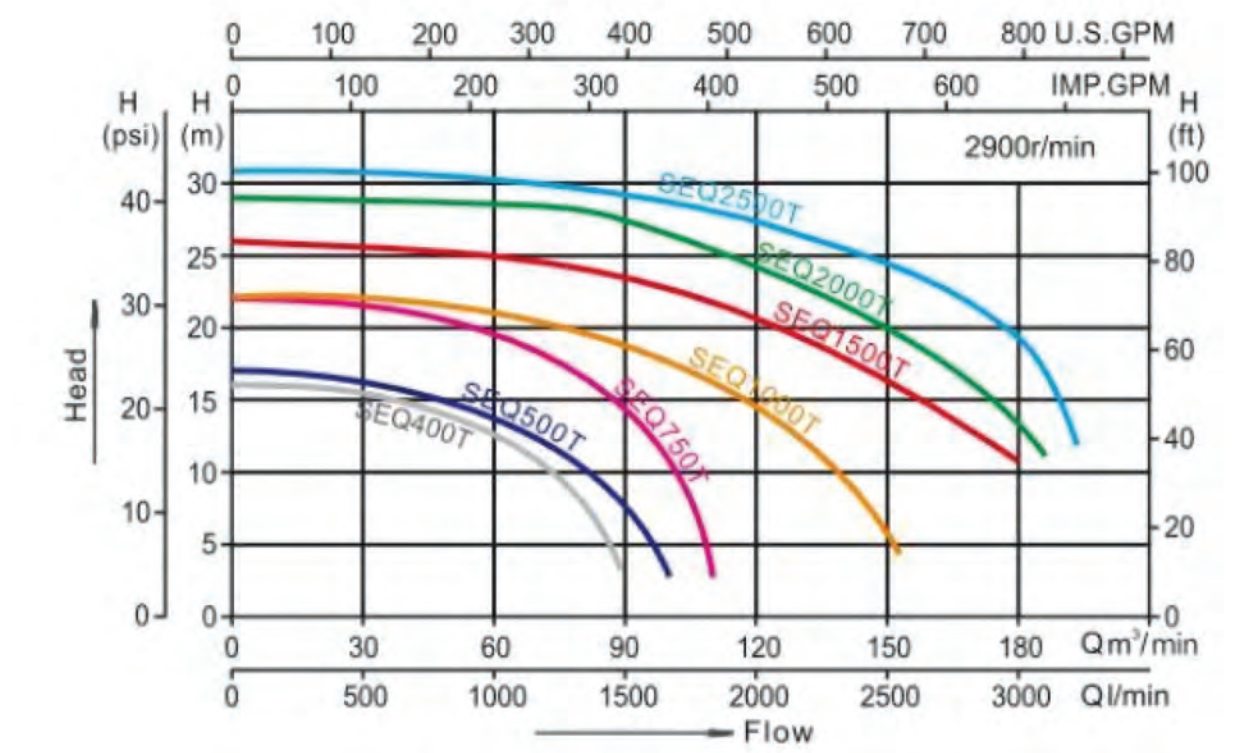
"P" Series Pump



Technical Characteristics

Model	Qmax (m³/h)	Hmax (m)	Voltage (V/Hz)	Power		Inlet øD (inch)	Outlet øE (inch)
				KW	HP		
P-55	60	19	380/50	4	5.5	3.0"/90mm	3.0"/90mm
P-75	80	20	380/50	5.5	7.5	3.0"/90mm	3.0"/90mm
P-100	95	21	380/50	7.5	10	3.0"/90mm	3.0"/90mm
P-150	110	22	380/50	11	15	3.0"/90mm	3.0"/90mm

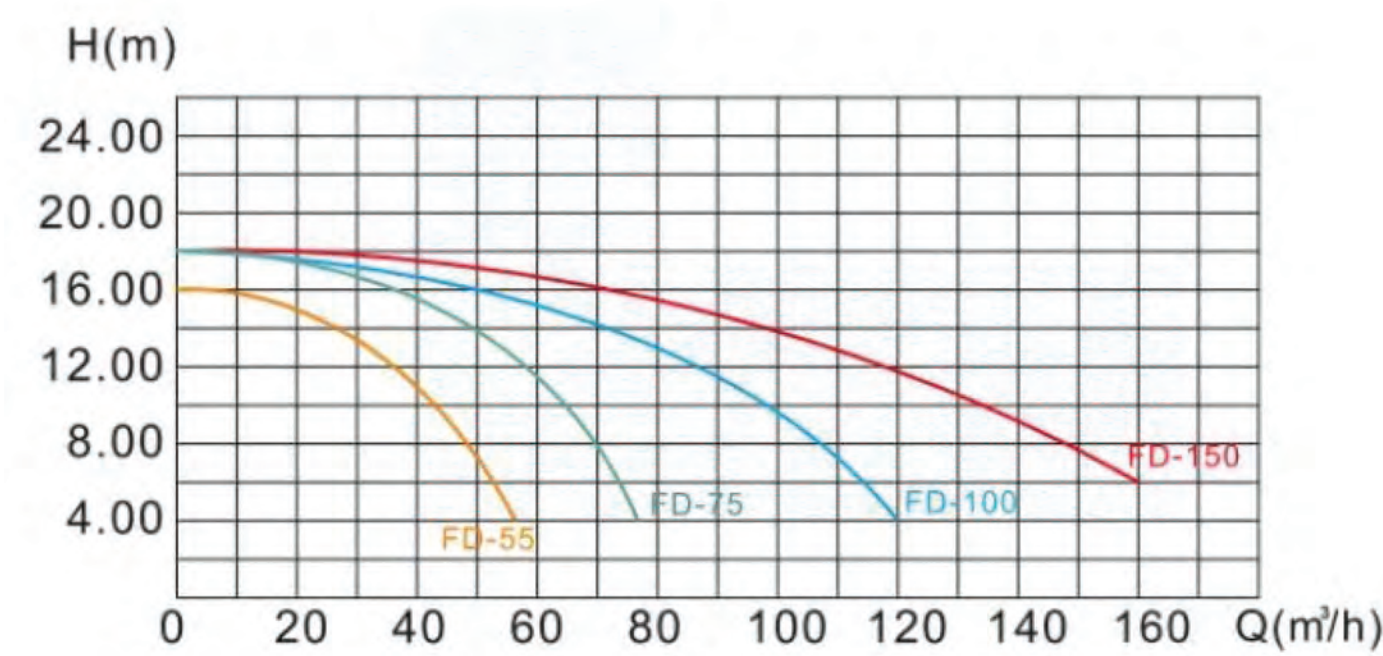
"WE" Series Pump



Technical Characteristics

Model	Qmax (m³/min)	Hmax (m)	Voltage (V/Hz)	Power		Current (Amps)	Inlet/outlet
				KW	HP		
WE-400	1480	16	380/50	3.0	4	5.9	DN150(6")
WE-500	1680	17	380/50	4.0	5	6.8	DN150(6")
WE-750	1830	22	380/50	5.5	7.5	10.3	DN150(6")
WE-1000	2560	22	380/50	7.5	10	12.7	DN150(6")
WE-1500	3000	26	380/50	11	15	20.1	DN150(6")
WE-2000	3100	29	380/50	15	20	26.7	DN150(6")
WE-2500	3300	31	380/50	18.5	25	30.3	DN150(6")

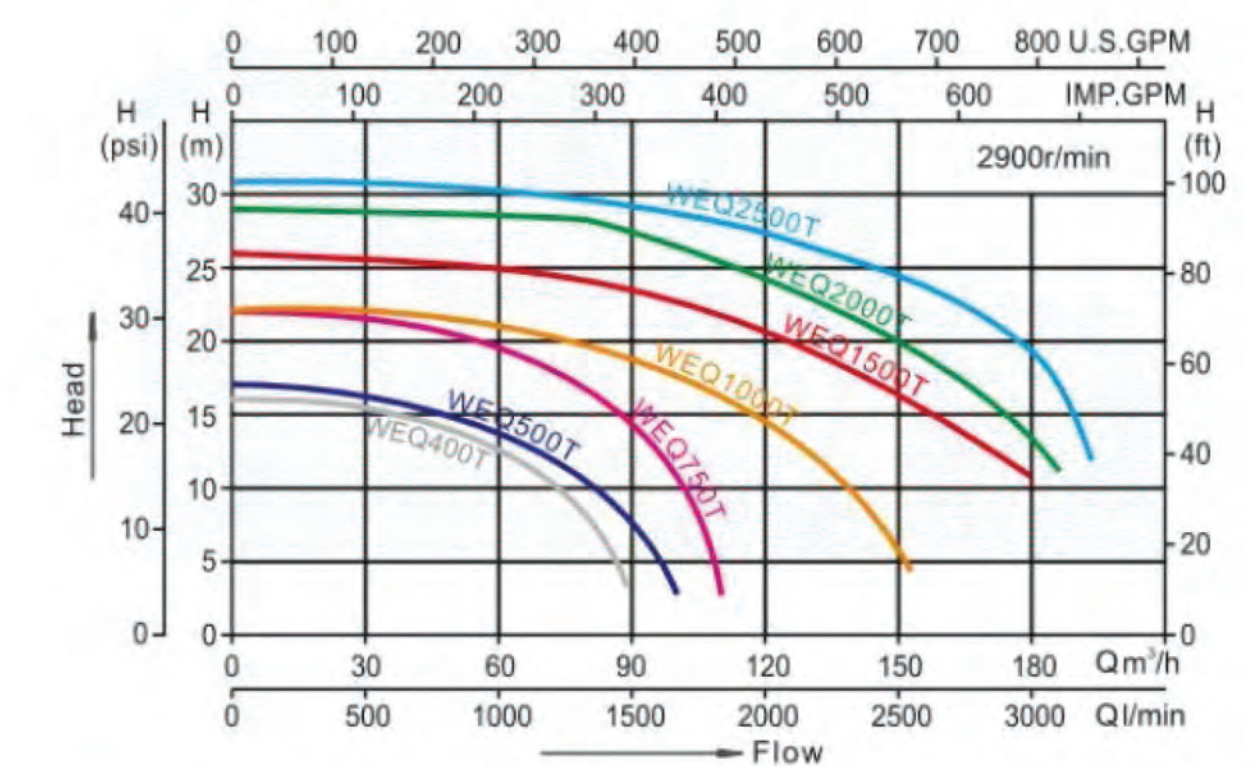
"FD" Series Pump



Technical Characteristics

Model	Qmax (m³/h)	Hmax (m)	Voltage (V/Hz)	inlet flange (mm)	outlet flange (mm)	Inlet øD (inch)	Outlet øE (inch)
FD-75	75	18	380/50	4-M12Ø90	4-Ø18Ø75	ø86	ø63
FD-100	120	18	380/50	8-Ø18Ø110	4-Ø18Ø90	ø100	ø80
FD-150	160	18	380/50	8-Ø18Ø110	4-Ø18Ø90	ø100	ø80

"WQ" Series Pump



Technical Characteristics

Model	Qmax (m³/min)	Hmax (m)	Voltage (V/Hz)	Power		Current (Amps)	Inlet/outlet
				KW	HP		
WQ-400	1480	16	380/50	3.0	4	5.9	DN150(6")
WQ-500	1680	17	380/50	4.0	5	6.8	DN150(6")
WQ-750	1830	22	380/50	5.5	7.5	10.3	DN150(6")
WQ-1000	2560	22	380/50	7.5	10	12.7	DN150(6")
WQ-1500	3000	26	380/50	11	15	20.1	DN150(6")
WQ-2000	3100	29	380/50	15	20	26.7	DN150(6")
WQ-2500	3300	31	380/50	18.5	25	30.3	DN150(6")

Swim Jet 2000 Swimming Counter Current Trainer

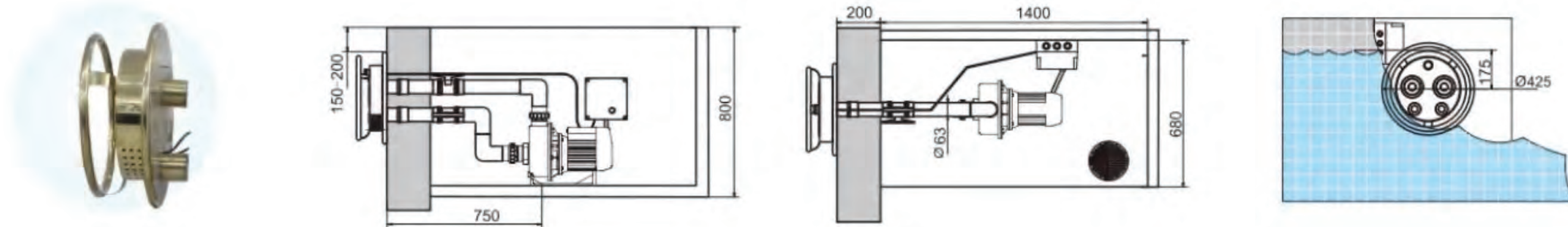


Swim jet PK2000

- Jet Swim 2000 housing made of stainless steel, front and handle made of polished acid-proof stainless steel AISI 304. For mounting on concrete, wood or prefabricated board walls.
- Pump power: 2.18KW/3HP
- Control box including contactor and overload protection
- Air mixture control
- Air mixture hose
- Hose connectors
- Hose clamps
- Hose for suction and pressure
- Valves

Technical Characteristics

Model	Power (KW)	Voltage (V)	Pump Connection (mm)	Water Capacity (L/Min)	Jet Material
PK2000	2.18	220	φ63	35	stainless steel

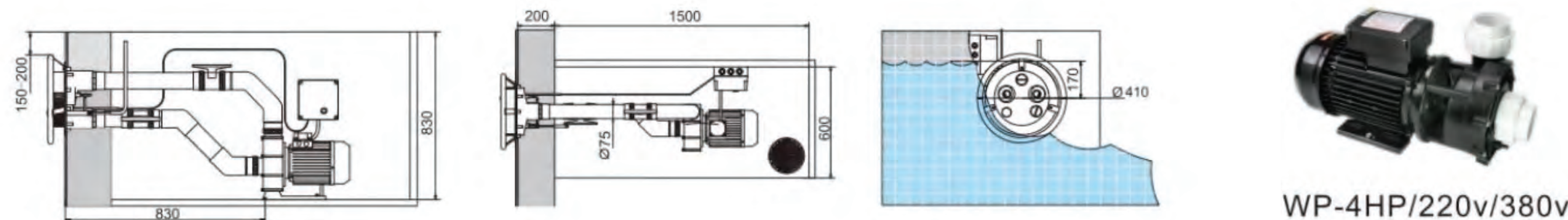


Swim Jet 3000 Swimming Counter Current Trainer



Swim jet PK3000

- Jet Swim 3000 housing made of stainless steel and the rear scaffold made of copper, front and handle made of polished acid-proof stainless steel AISI 304. For mounting on concrete, wood or prefabricated board walls.
- Pump power: 3KW/4HP
- Control box including contactor and overload protection
- Air mixture control
- Air mixture hose
- Hose connectors
- Hose clamps
- Hose for suction and pressure
- Valves



WP-4HP/220v/380v



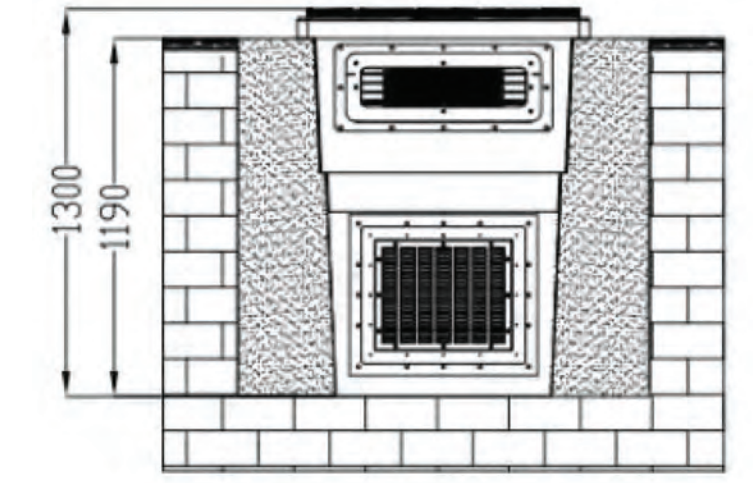
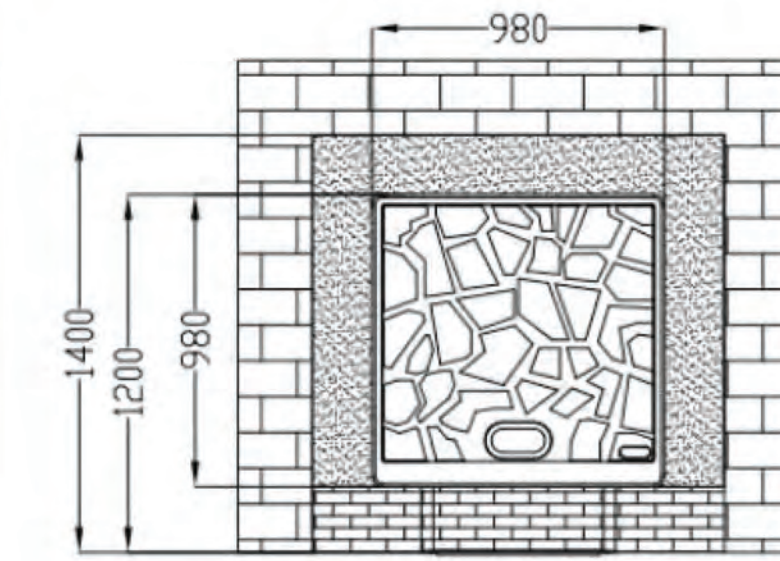
Technical Characteristics

Model	Power (KW)	Voltage (V)	Pump Connection (mm)	Water Capacity (L/Min)	Jet Material
PK3000	3	220/380	φ75	70	bronze, stainless steel

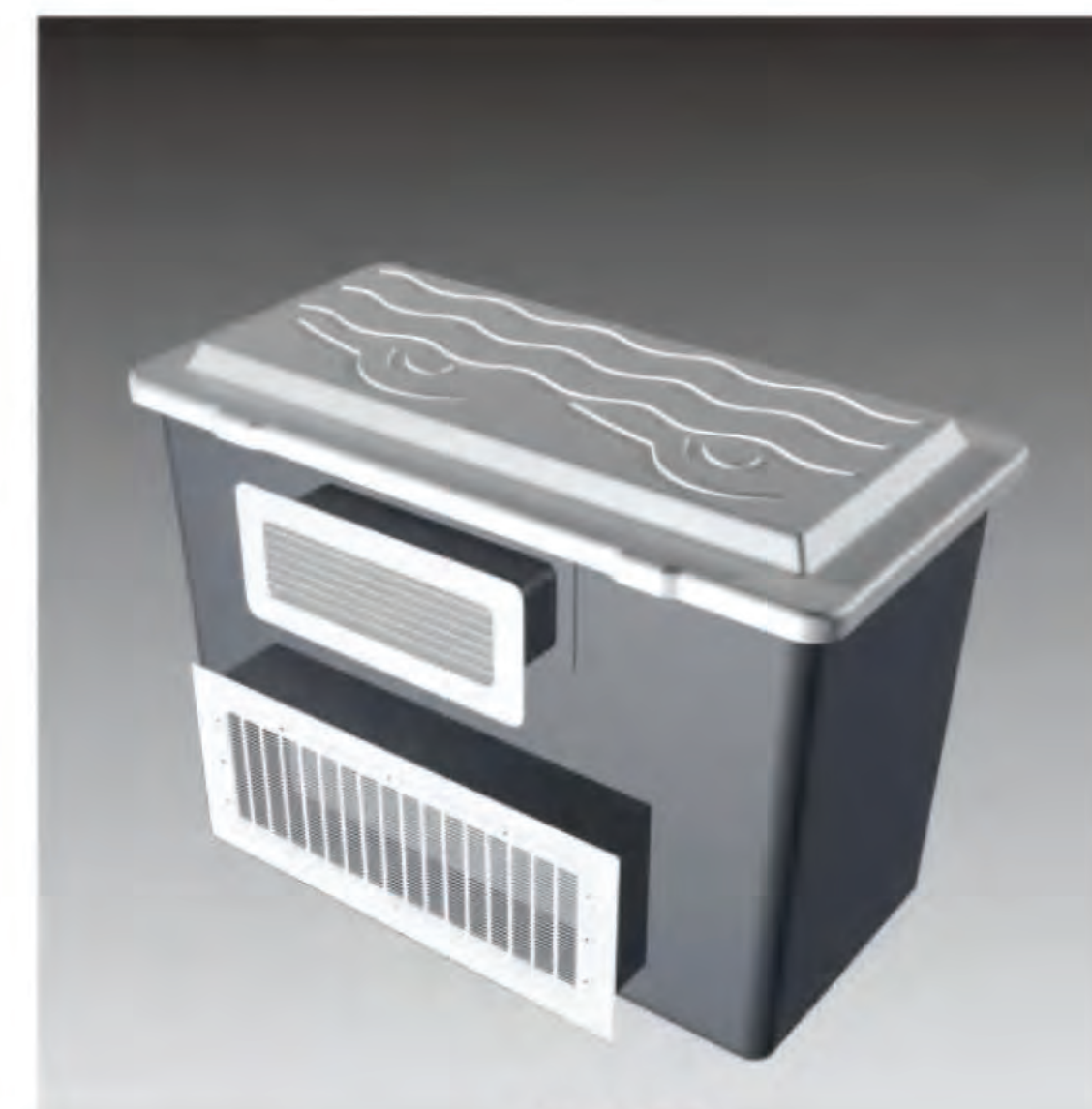
Propulsion System



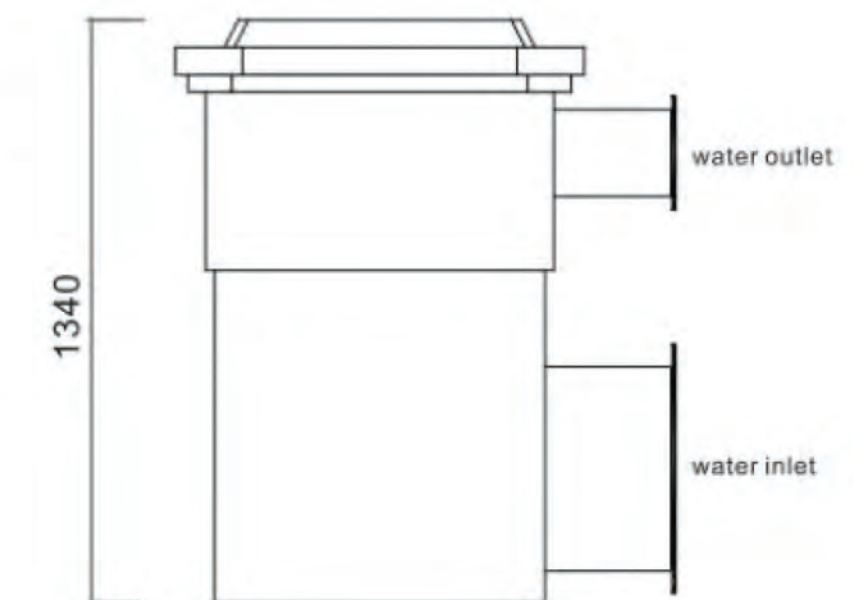
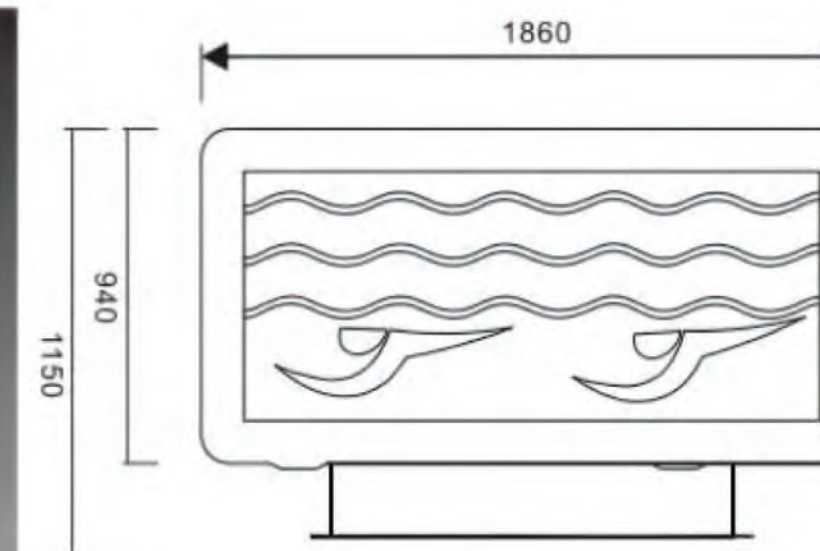
PK8100



- Torrent pump 2.8KW/380V 1pcs (with control system)
- Automatic drainage pump 1pcs



PK8000



- Torrent pump 2.8KW/380V 1pcs (with control system)
- Sand filter P400 2pcs
- Circulating water pump (STP100 1HP/220V) 2pcs
- Automatic drainage pump 1pcs

The propulsion system is made of high-density fiberglass and acrylic materials, high load and high temperature operation, more reliable. As a new-generation swimming machine developed, it's a device for infinity swimming, turning the small pool into an endless pool. Through a special hydraulic pushing device, a directional water flow is formed and pushed to the swimmer to achieve the purpose of exercise.

Technical Characteristics

Model	Power (KW)	Voltage (V)	Packing size (mm)
PK8100	2.8	380	1200x980x1300
PK8000	2.8	380	1860x1150x1340

UNDERWATER LIGHT SERIES

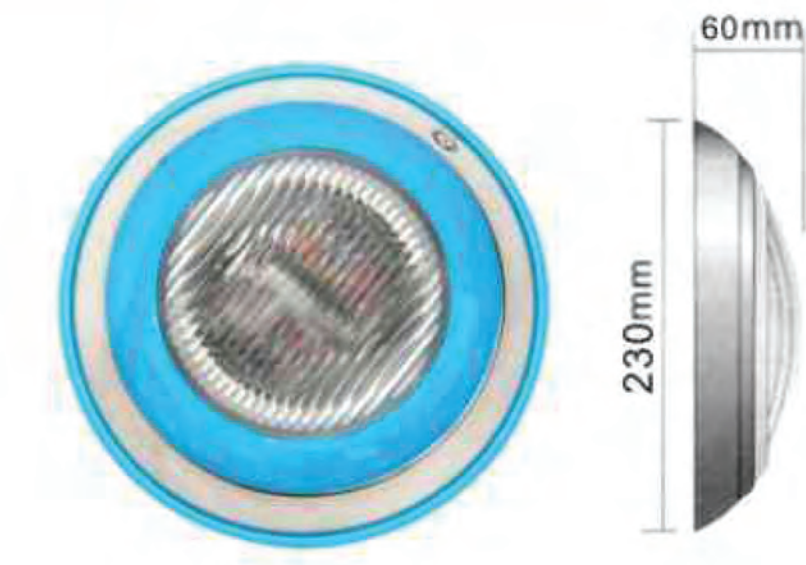
Underwater Light Series



PK6001S Wall mounted type pool light

Material: 304 Stainless steel
Cable: 3x1.5mm²x1.5m
(White color/Auto color change)

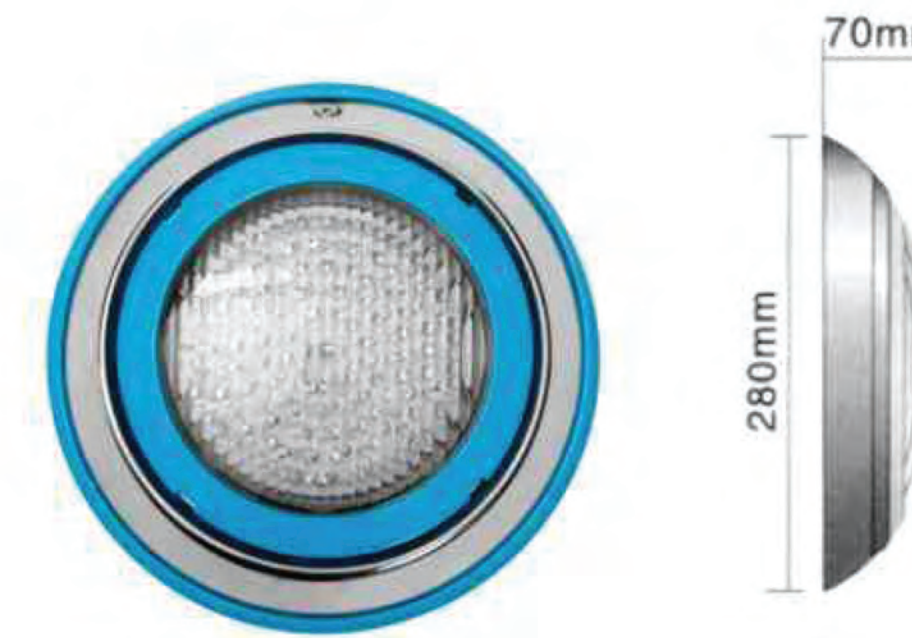
Waterproof standard: IP68
Available: LED 6x1W / 12V



PK6003 Wall mounted type pool light

Material: 304 Stainless steel
Cable: 3x1.5mm²x1.5m
Waterproof standard: IP68
(White color/Auto color change)

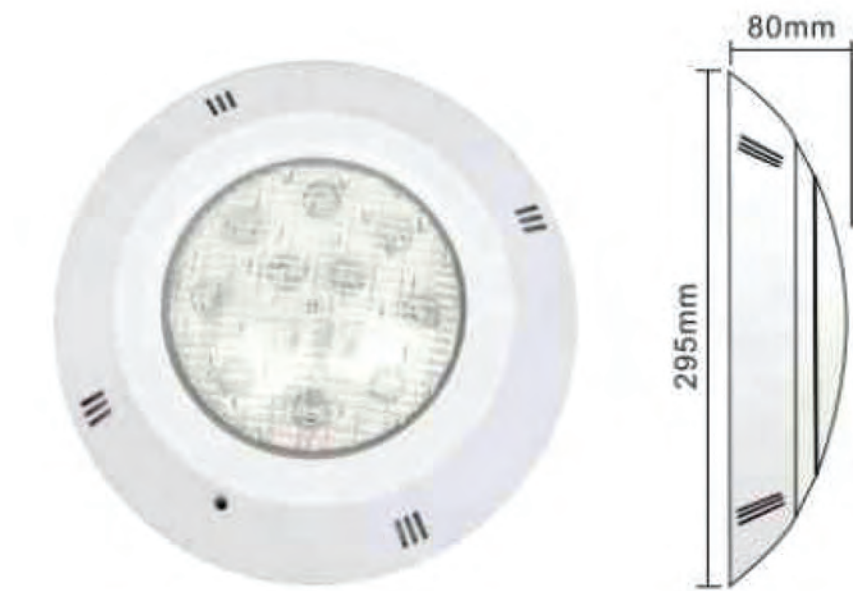
Available:
1. 144W LED Bulbs 12W/12V
2. LED 9x1W/12V
3. LED 12x1W/12V



PK6001 Wall mounted type pool light

Material: 304 Stainless steel
Cable: 2x1.5mm²x1.5m
1. 144 LED Bulbs 12W/12V
2. 252 LED Bulbs 25W/12V
3. LED 12x1W/12V
(White color/Auto color change)

Waterproof standard: IP68
Available:
4. LED 18x1W/12V
5. LED 24x1W/12V



PK6005 Wall mounted type pool light

Material: ABS+UV
Waterproof standard: IP68
Available:
1. 144 LED Bulbs 12W/12V
2. 252 LED Bulbs 25W/12V
3. LED 12x1W/12V
(White color/Auto color change)

Cable: 2x1.5mm²x1.5m
4. LED 18x1W/12V



PK6004S Wall mounted type pool light

Material: ABS+UV
Cable: 3x1.5mm²x1.5m
1. 144 LED Bulbs 12W/12V
(White color/Auto color change)

Waterproof standard: IP68
Available:
2. LED 9x1W/12V
3. LED 12x1W/12V



PK6004 Wall mounted type pool light

Material: ABS+UV
Available:
1. 144 LED Bulbs 12W/12V
2. 252 LED Bulbs 25W/12V
3. LED 9x1W/12V
(White color/Auto color change)

Cable: 2x1.5mm²x1.5m
Waterproof standard: IP68
4. LED 12x1W/12V
5. LED 18x1W/12V
6. LED 24x1W/12V



Underwater Light Series



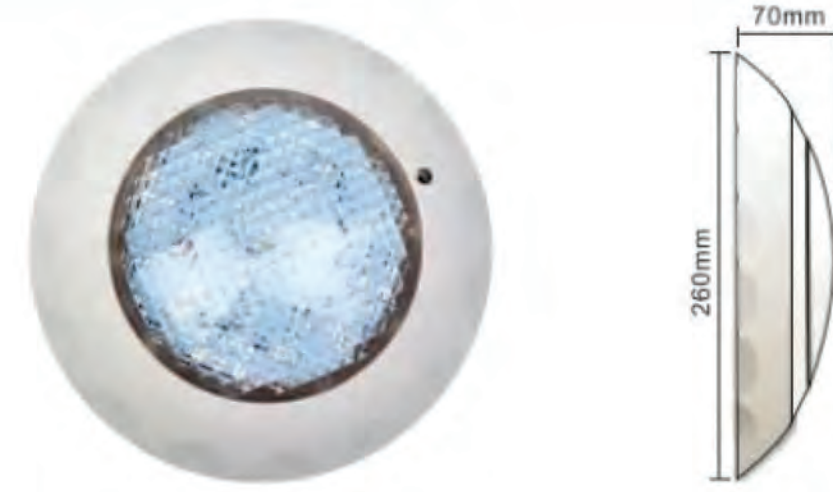
PK6006 Wall mounted type pool light

Material: ABS+UV
Cable: 2x1.5mm²x1.5m

- Available:**
1. 144 LED Bulbs 12W/12V
 2. 252 LED Bulbs 25W/12V (White color/Auto color change)

Waterproof standard: IP68
Available:

3. LED 9x1W/12V
4. LED 12x1W/12V
5. LED 18x1W/12V



PK6007 Wall mounted type pool light

Material: ABS+UV
Cable: 2x1.5mm²x1.5m

- Available:**
1. 144 LED Bulbs 12W/12V
 2. 252 LED Bulbs 25W/12V (White color/Auto color change)

Waterproof standard: IP68
Available:

3. LED 9x1W/12V
4. LED 12x1W/12V
5. LED 18x1W/12V



PK6008 Wall mounted type pool light

Material: ABS+UV
Cable: 2x1.5mm²x1.5m

- Available:**
1. 12W/12V(low-powered)
 2. 18W/12V(low-powered)
 3. 25W/12V(low-powered)

Waterproof standard: IP68
(White color/Auto color change)



PK6009 Wall mounted type pool light

Material: 304 Stainless steel+ABS+UV
Cable: 2x1.5mm²x1.5m

- Available:**
1. 12W/12V(low-powered)
 2. 18W/12V(low-powered)

Waterproof standard: IP68
(White color/Auto color change)



PK6017 Buried type pool light

Material: ABS+UV
Waterproof standard: IP68

- Available:**
1. 300W/12V Halogen light bulb
 2. 252 LED Bulbs 18W/12V
 3. 441 LED Bulbs 35W/12V
 4. 546 LED Bulbs 40W/12V (White color/Auto color change)

Cable: 2x4mm²x1.5m

5. LED 12x1W/12V
6. LED 18x1W/12V
7. LED 24x1W/12V
8. LED 18x3W 35W/12V



PK6017V Buried type pool light (for liner pool)

Material: ABS+UV
Waterproof standard: IP68

- Available:**
1. 300W/12V Halogen light bulb
 2. 252 LED Bulbs 18W/12V
 3. 441 LED Bulbs 35W/12V
 4. LED 12x1W/12V (White color/Auto color change)

Cable: 2x4mm²x1.5m

5. LED 18x1W/12V
6. LED 24x1W/12V
7. LED 18x3W 35W/12V



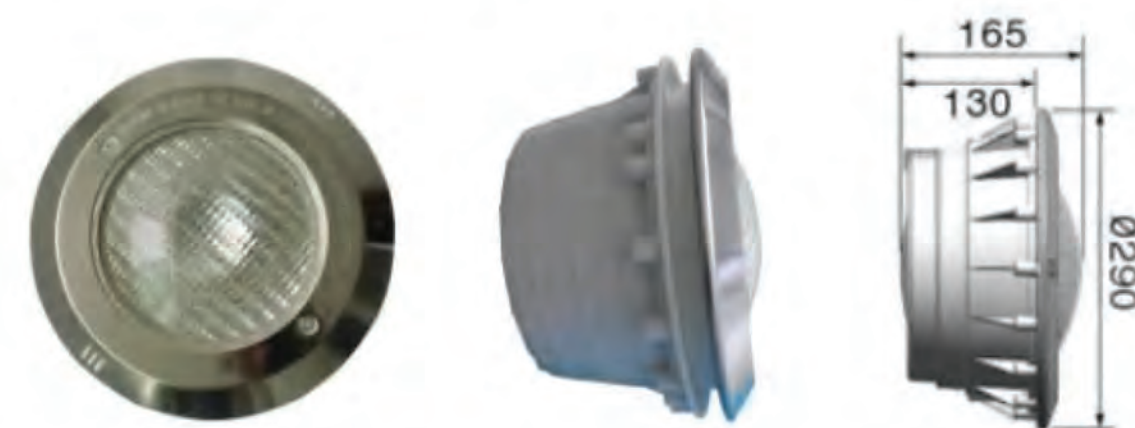
PK6016 Buried type pool light

Material: ABS+UV
Cable: 2x4mm²x1.5m

- Available:**
1. 300W/12V Halogen light bulb
 2. 252 LED Bulbs 18W/12V
 3. 441 LED Bulbs 35W/12V
 4. 546 LED Bulbs 40W/12V (White color/Auto color change)

Waterproof standard: IP68

5. LED 12x1W/12V
6. LED 18x1W/12V
7. LED 24x1W/12V
8. LED 18x3W 35W/12V



PK6016A Buried type pool light

Material: 304 Stainless steel+ABS+UV
Cable: 2x4mm²x1.5m

- Available:**
1. 300W/12V Halogen light bulb
 2. 252 LED Bulbs 18W/12V
 3. 441 LED Bulbs 35W/12V
 4. 546 LED Bulbs 40W/12V (White color/Auto color change)

Waterproof standard: IP68

5. LED 12x1W/12V
6. LED 18x1W/12V
7. LED 24x1W/12V
8. LED 18x3W 35W/12V

Underwater Light Series



PK6010 Buried type pool light

Material: 304 Stainless steel
Waterproof standard: IP68

- Available:**
1. 100W/12V Halogen light bulb
 2. 36 LED Bulbs 3W/12V (White color/Auto color change)

Cable: 3x2.5mm²x1.5m

3. 90 LED Bulbs 6W/12V



PK6011 Buried type pool light

Material: 304 Stainless steel
Waterproof standard: IP68

- Available:**
1. 300W/12V Halogen light bulb (White color/Auto color change)

Cable: 3x4mm²x1.5m

2. 252 LED Bulbs 18W/12V



PK6627

Material: AISI-304 Stainless steel
Watt/Voltage: 24W/18W/12V
Waterproof: IP68

Watt/Voltage: 300W/12V(PAR56)
Cable: 3x2.5mm²x2.0m



PK6628

Material: AISI-304 Stainless steel
Watt/Voltage: 12W/9W/6W/12V
Waterproof: IP68

Watt/Voltage: 100W/12V
Cable: 3x2.5mm²x2.0m



PK6629

Material: AISI-304 Stainless steel
Watt/Voltage: 3x1W/12V

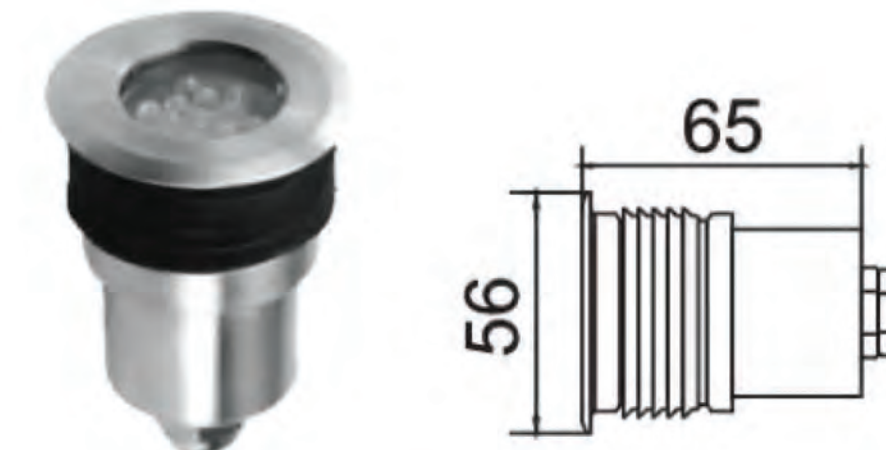
Waterproof: IP68



PK6630

Material: AISI-304 Stainless steel
Watt/Voltage: 9x1W/12V

Waterproof: IP68



PK6631

Material: AISI-304 Stainless steel
Watt/Voltage: 1W/12V

Waterproof: IP68

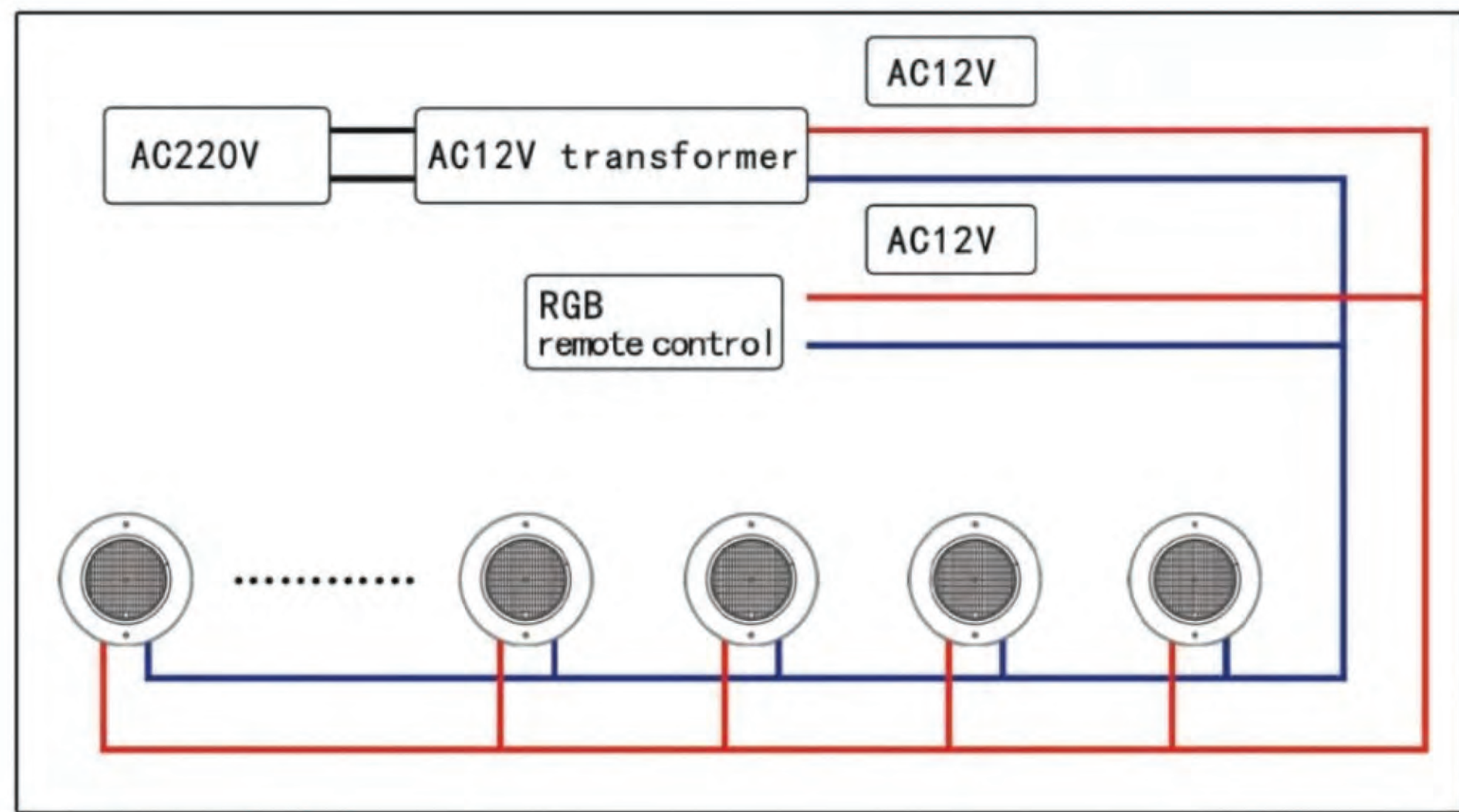
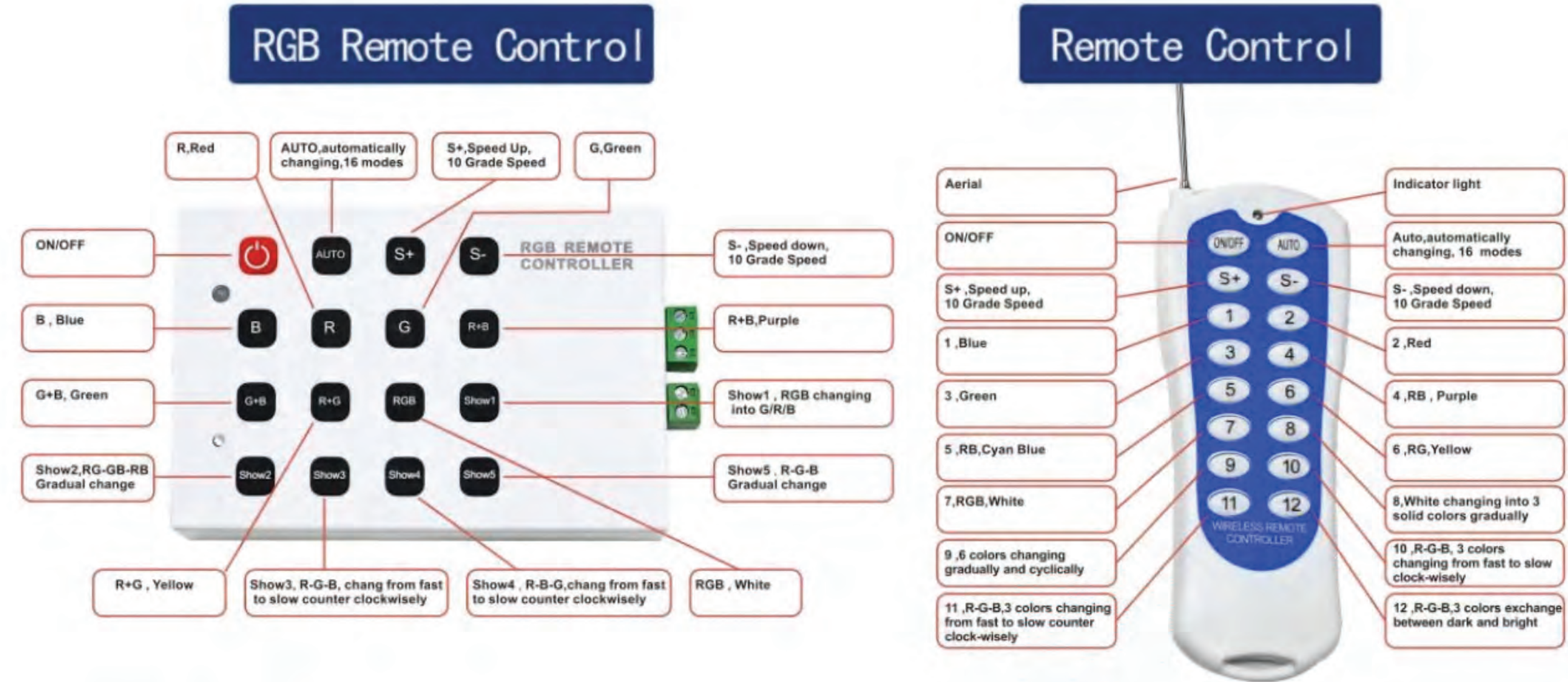


PK6632

Material: AISI-304 Stainless steel
Watt/Voltage: 12W/9W/6W/12V

Waterproof: IP68

RGB Series Underwater Light



RGB INSTRUCTION

MODE1: BLUE MODE2: RED MODE3: GREEN MODE4: RB, PURPLE
 MODE5: GB, GREEN MODE6: RG, YELLOW MODE7: RGB, WHITE

MODE8: (R G B ↓) RG KEEP BRIGHT, B CHANGE TO DARK GRADUALLY 1.9S → (R ↓ G) G KEEP BRIGHT, R CHANGE TO DARK GRADUALLY 1.9S → (G ↓ B) B KEEP BRIGHT, G CHANGE TO DARK GRADUALLY 1.9S → (R G ↓ B) RB KEEP BRIGHT, G CHANGE TO DARK GRADUALLY 1.9S → (R B ↓) R KEEP BRIGHT, B CHANGE TO DARK GRADUALLY 1.9S → (R ↓ R) R CHANGE TO DARK GRADUALLY 1.9S → (R ↓ G B) GB KEEP BRIGHT, R CHANGE TO DARK GRADUALLY 1.9S → (G ↓ B) B KEEP BRIGHT, G CHANGE TO DARK GRADUALLY 1.9S → (B ↓) B CHANGE TO DARK GRADUALLY 1.9S → RECYCLE

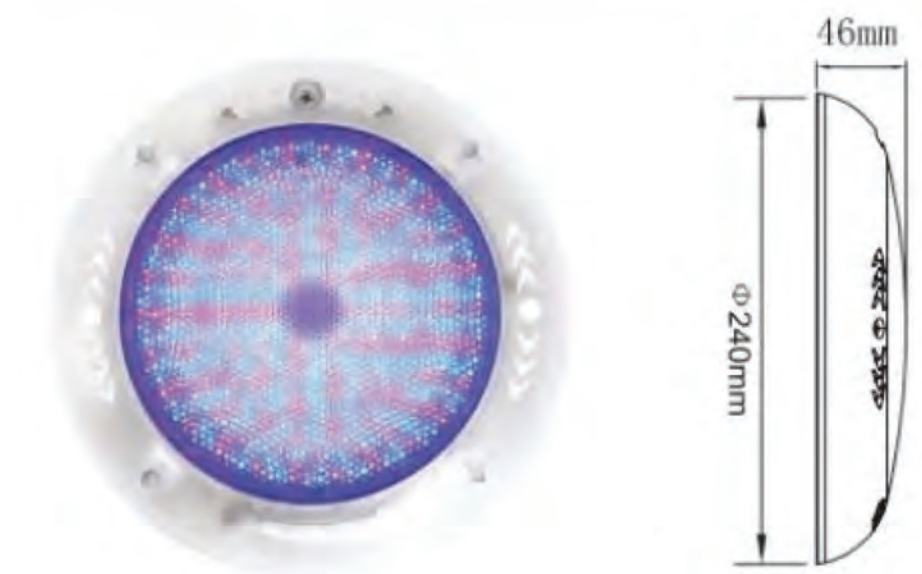
MODE9: (R ↓ G ↑) REN IS DARKENING AND GREEN IS BRIGHTENING 1.9S → (G ↓ B ↑) GREEN IS DARKENING AND BLUE IS BRIGHTENING 1.9S → (R ↑ B ↓) BLUE IS DARKENING AND REN IS BRIGHTENING 1.9S → RECYCLE

MODE10: R (60MS) → G (60MS) → B (60MS) → RECYCLE 10 TIMES → R (120MS) → G (120MS) → B (120MS) → RECYCLE 5 TIMES → R (180MS) → G (180MS) → B (180MS) → RECYCLE 5 TIMES → R (240MS) → G (240MS) → B (240MS) → RECYCLE 5 TIMES → RECYCLE FROM THE BEGINNING TO THE END (COUNTER CLOCK WISELY)

MODE11: R (100MS) → B (100MS) → G (100MS) → RECYCLE 5 TIMES → R (160MS) → B (160MS) → G (160MS) → RECYCLE 5 TIMES → R (220MS) → B (220MS) → G (220MS) → RECYCLE 5 TIMES → R (280MS) → B (280MS) → G (280MS) → RECYCLE 5 TIMES → RECYCLE FROM THE BEGINNING TO THE END (CLOCK WISELY)



RGB Series Underwater Light



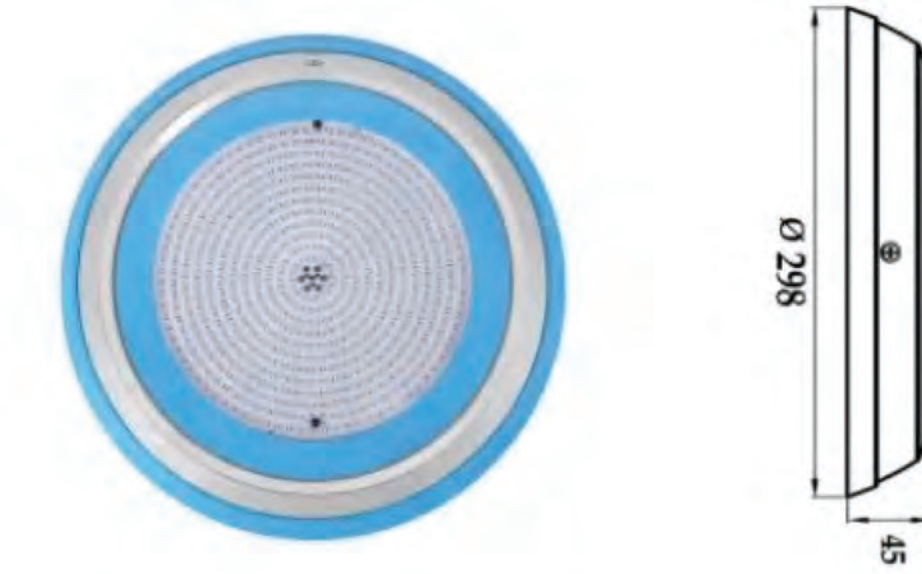
PK8001 Wall mounted type pool light

Material: PC
Cable: 2x1.0mm²X1.5m
Waterproof standard: IP68
Available:
 1.LED Bulbs 18W/12V/24V
 2.LED Bulbs 25W/12V/24V
 (White color/Auto color change)



PK8002 Wall mounted type pool light

Material: PC
Cable: 2x1.0mm²X1.5m
Waterproof standard: IP68
Available:
 1.LED Bulbs 12W/12V/24V
 2.LED Bulbs 18W/12V/24V
 3.LED Bulbs 25W/12V/24V
 (White color/ Auto color change)



PK8003 Wall mounted type pool light

Material: 304 Stainless steel
Cable: 3x1.0mm²X1.5m
Waterproof standard: IP68
Available:
 1.LED Bulbs 18W/12V/24V
 2.LED Bulbs 25W/12V/24V
 3.LED Bulbs 35W/12V/24V
 (White color/Auto color change)



PK8004S Wall mounted type pool light

Material: PC
Cable: 3x1.0mm²X1.5m
Waterproof standard: IP68
Available:
 1.LED Bulbs 12W/12V/24V
 2.LED Bulbs 18W/12V/24V
 3.LED Bulbs 25W/12V/24V
 (White color/ Auto color change)



PK8005S Wall mounted type pool light

Material: PC
Cable: 2x1.0mm²X1.5m
Waterproof standard: IP68
Available:
 1.LED Bulbs 12W/12V/24V
 2.LED Bulbs 18W/12V/24V
 3.LED Bulbs 25W/12V/24V
 (White color/ Auto color change)

TRANSFORMERS



VTP-041 Transformers
 (220V-12V) 50Hz/60Hz
 50W / 100W / 150W / 200W
 300W / 400W / 500W / 600W



VTP-043 Transformers
 (220V-12V) 50Hz/60Hz
 500W / 600W / 800W / 1000W

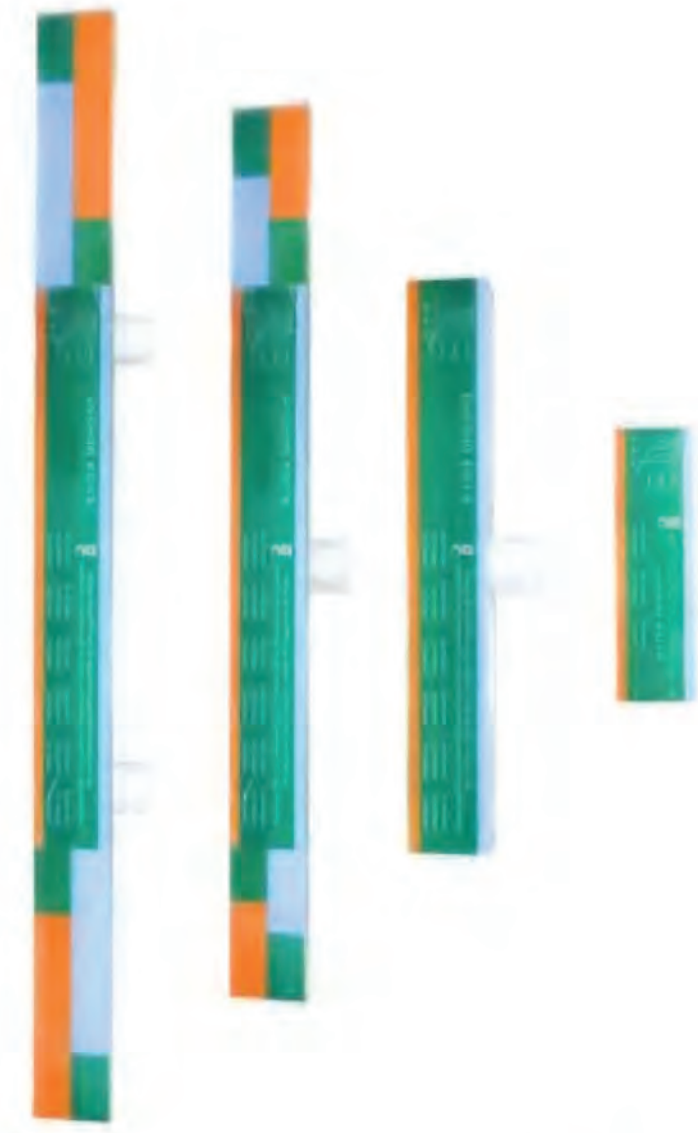


VTP-042 Transformers
 (220V-12V) 50Hz/60Hz
 60W / 105W / 200W / 300W / 400W



SP-034 Junction Box

Water Descent



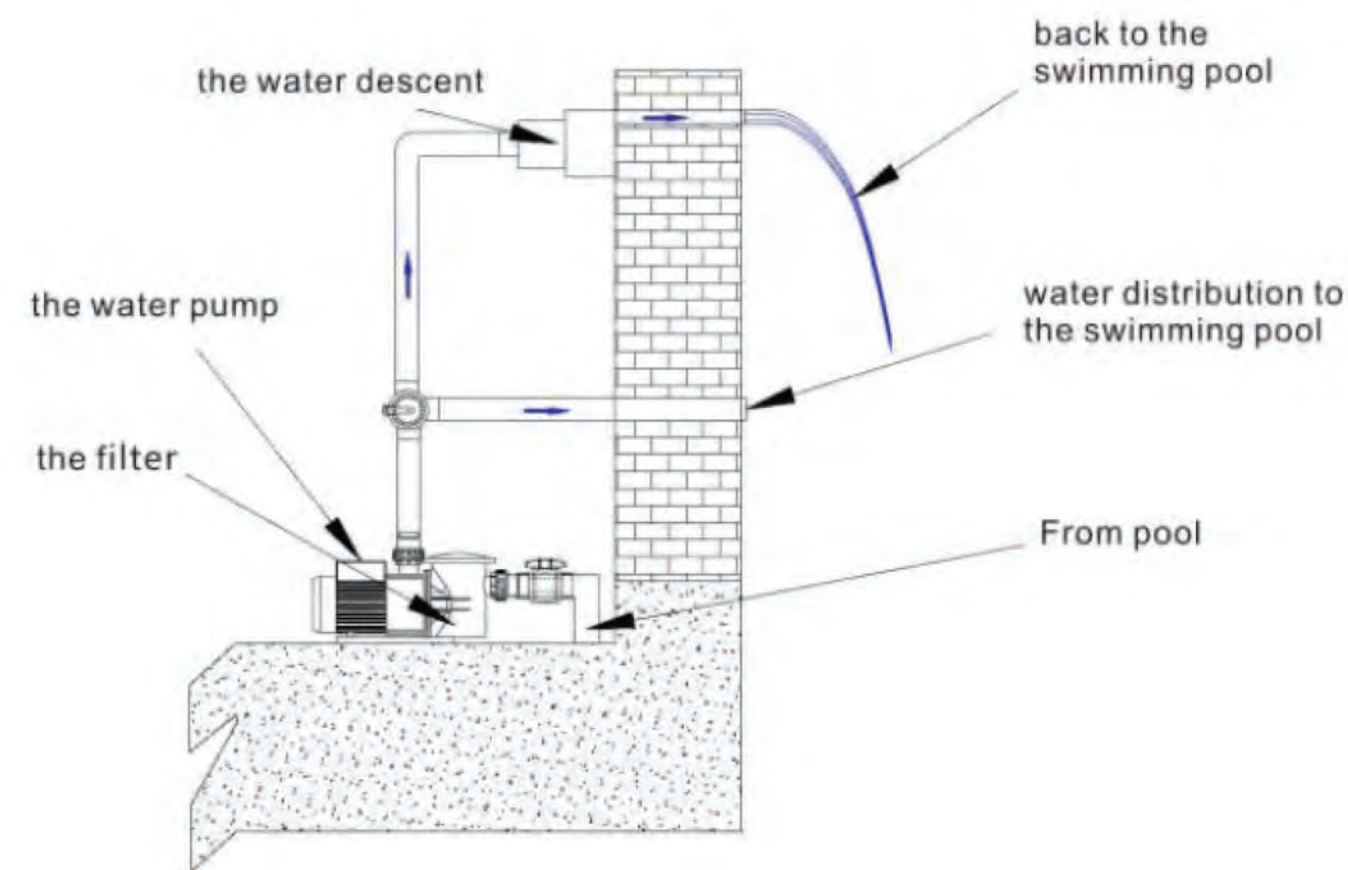
"PIKES" water descent provides several sizes and configurations to be available for different installation requirements. With a suitable water pump and filtration system, you can enjoy vibrant water falling effect, which will bring elegance and visual interest to the private gardens, swimming pools, parks or gardens. The soothing sound of the water flowing will add pleasure to people.

FEATURES

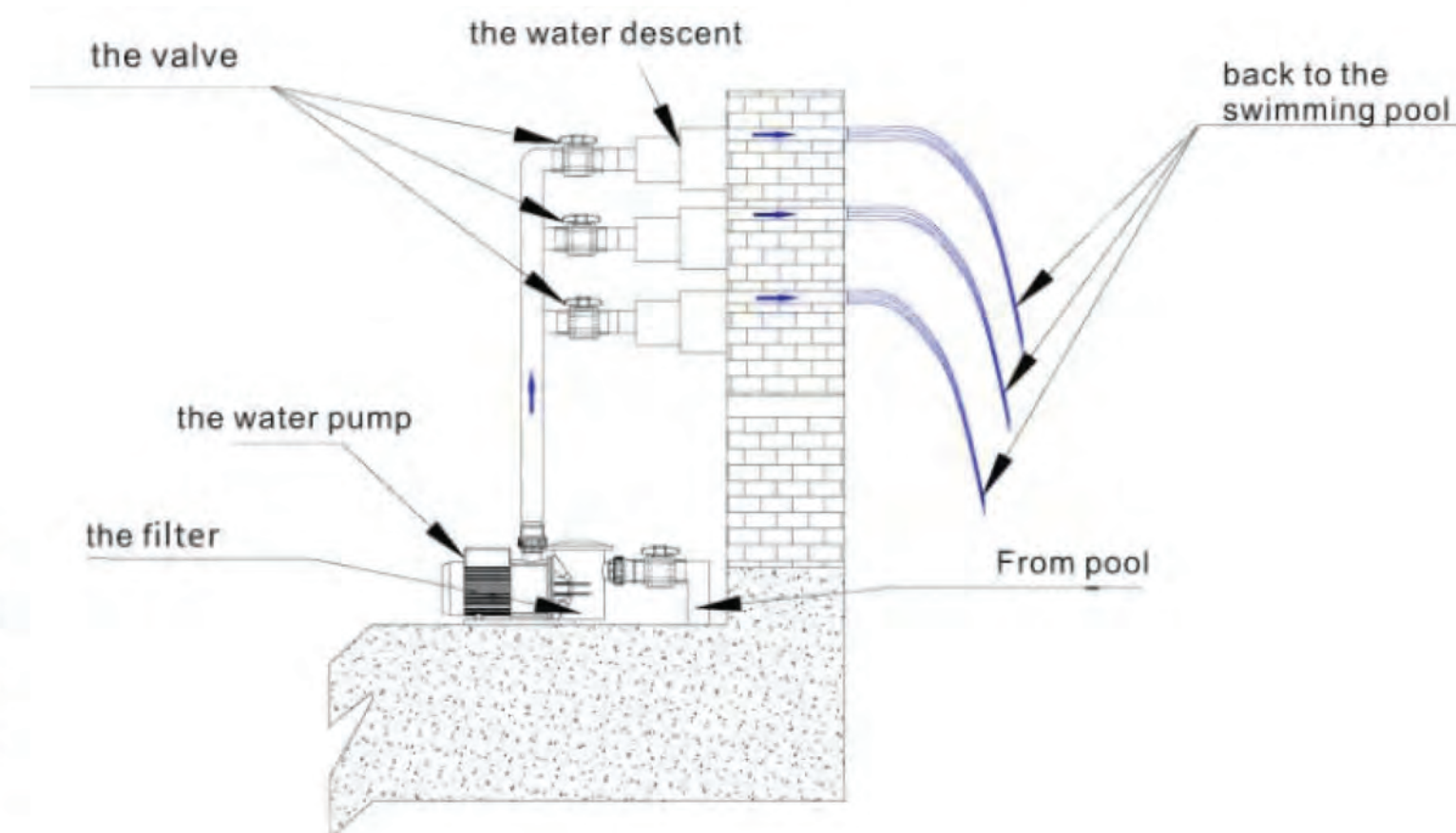
- High stability, advanced artificial waterfall over in China.
- Built-in waterproof LED lights to beautify the water color.
- The LED lights are powered by 12V DC, RGB light source are safe and reliable.
- The LED lights can be operated through remote control, different light mode changes.
- The outlets of the waterfall are available in different sizes to meet different installation requirements.
- Multiple water descent systems can be connected to one controller to meet the effect synchronization of light mode.

Technical Information

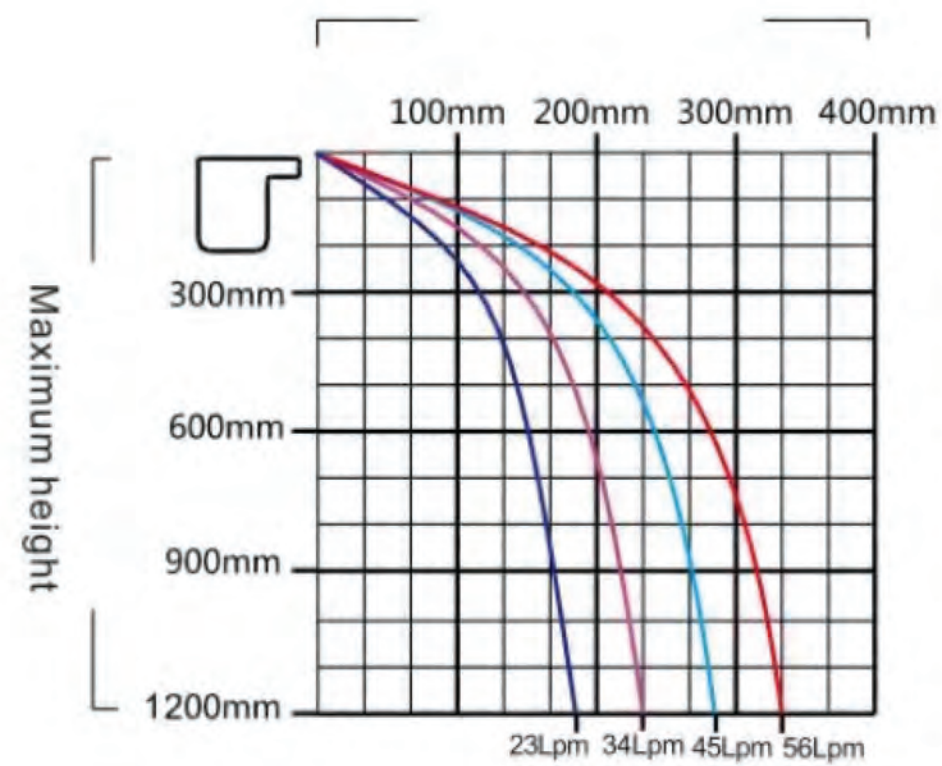
WATER DESCENT WITH VALVE INSTALLATION



MULTIPLE WATER DESCENT WITH VALVE MOUNTING



Utility Model Patent Certificate: ZL 2017 2 0295318.6
 Approximate projection of sheet of water per 300mm of waterfall length

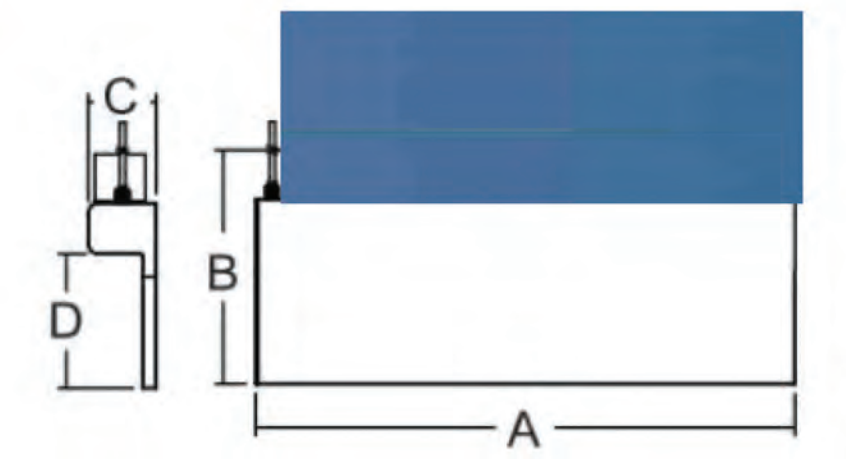


"PIKES" water descent are suitable for installation on finished walls and new construction walls, as well length and thickness of the wall product design unique novel, beautiful. Efficient to hide the outlet, Showing a beautiful linear effect of the water.

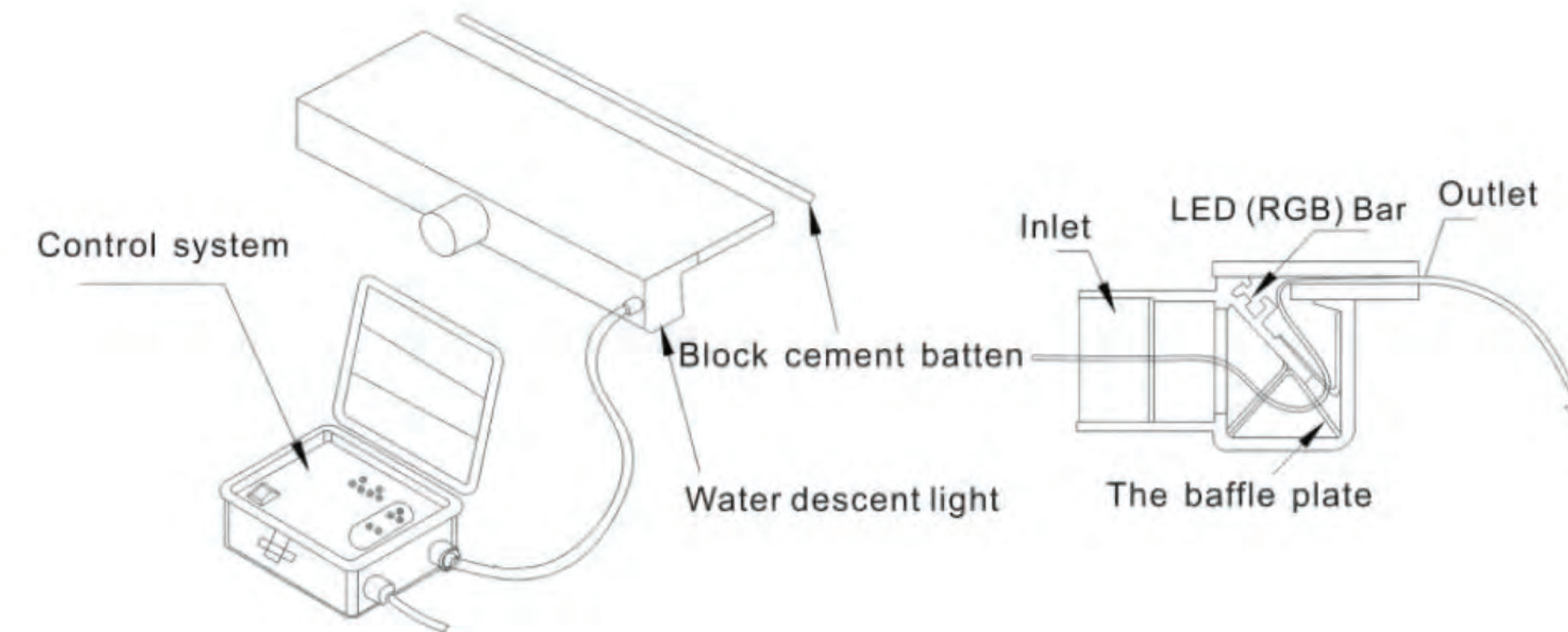
Technical Information

Model	Connection size	A mm	B mm	C mm	D mm	Power	Voltage
With LED light							
WD300-25-LED	1.5 inch	50mm	306	138	76	25	4W DC12V
WD300-150-LED	1.5 inch	50mm	306	263	76	150	4W DC12V
WD300-230-LED	1.5 inch	50mm	306	343	76	230	4W DC12V
WD600-25-LED	1.5 inch	50mm	606	138	76	25	8W DC12V
WD600-150-LED	1.5 inch	50mm	606	263	76	150	8W DC12V
WD600-230-LED	1.5 inch	50mm	606	343	76	230	8W DC12V
WD900-25-LED	1.5 inch	50mm	906	138	76	25	12W DC12V
WD900-150-LED	1.5 inch	50mm	906	263	76	150	12W DC12V
WD900-230-LED	1.5 inch	50mm	906	343	76	230	12W DC12V
WD1200-25-LED	1.5 inch	50mm	1206	138	76	25	17W DC12V
WD1200-150-LED	1.5 inch	50mm	1206	263	76	150	17W DC12V
WD1200-230-LED	1.5 inch	50mm	1206	343	76	230	17W DC12V

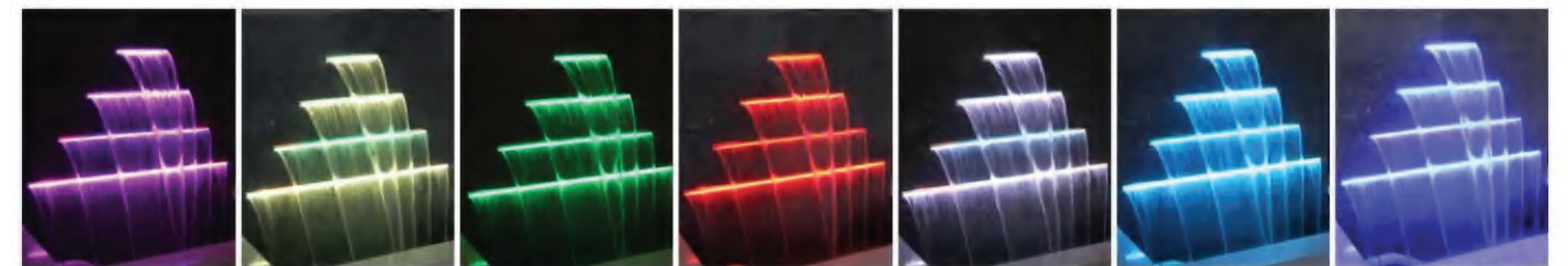
Without LED light							
WD300-25	1.5 inch	50mm	306	138	76	25	- -
WD300-150	1.5 inch	50mm	306	263	76	150	- -
WD300-230	1.5 inch	50mm	306	343	76	230	- -
WD600-25	1.5 inch	50mm	606	138	76	25	- -
WD600-150	1.5 inch	50mm	606	263	76	150	- -
WD600-230	1.5 inch	50mm	606	343	76	230	- -
WD900-25	1.5 inch	50mm	906	138	76	25	- -
WD900-150	1.5 inch	50mm	906	263	76	150	- -
WD900-230	1.5 inch	50mm	906	343	76	230	- -
WD1200-25	1.5 inch	50mm	1206	138	76	25	- -
WD1200-150	1.5 inch	50mm	1206	263	76	150	- -
WD1200-230	1.5 inch	50mm	1206	343	76	230	- -



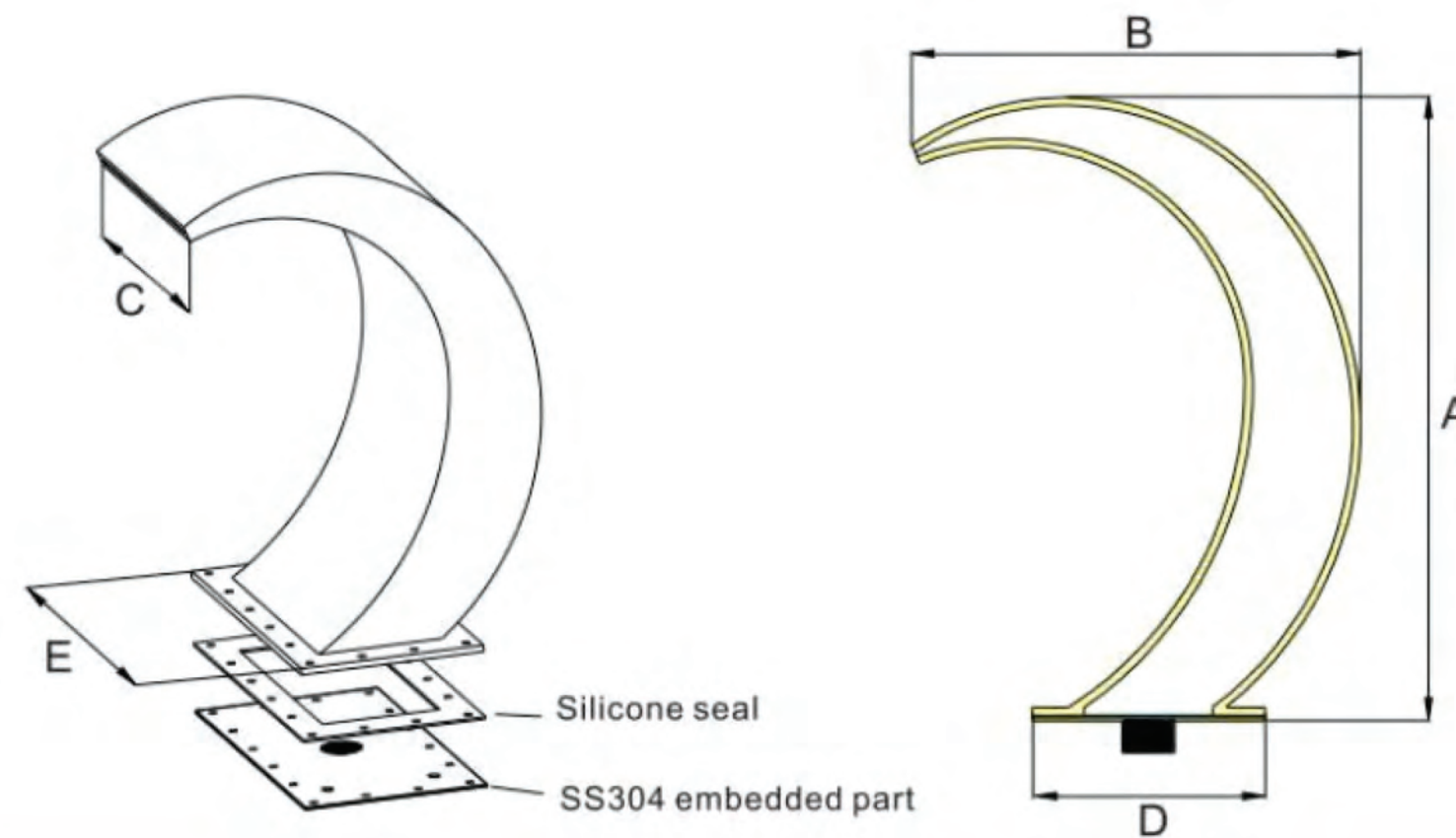
Product number	Model	Product description	Operating temperature	Input	Output	Transmitting distance
08080016	K24 / K-02	LED CONTROL BOX	-20°C+40°C	AC 100V-240V 50/60Hz	DC 12V/24W	3M
08080017	K25 / K-01	LED CONTROL BOX	-20°C+40°C	AC 100V-240V 50/60Hz	DC 12V/60W	20M



Do not move the retaining bar before installation is complete, and avoid prolonged exposure to the sun!

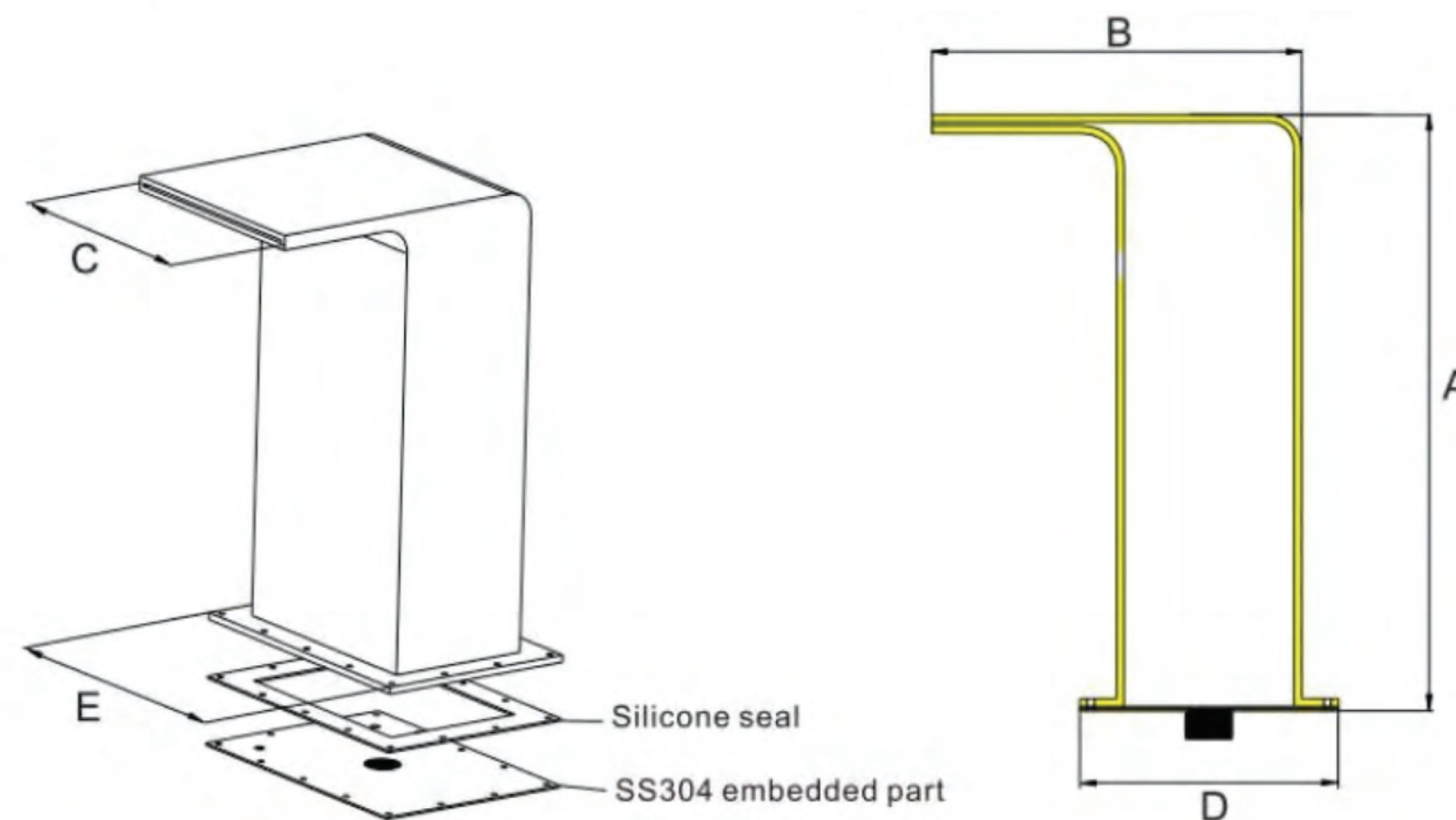


Acrylic Pool Water Fall



Technical Characteristics

MODEL	Take over size	A(mm)	B(mm)	C(mm)	D(mm)	E(mm)	Power	Voltage
WF-300	1.5 inch 50mm	603	423.5	320	236	416	—	—
WF-301	2 inch 63mm	750	540.6	395	280	500	—	—
WF-300LED	1.5 inch 50mm	603	423.5	320	236	416	12.0W	DC12V
WF-301LED	2 inch 63mm	750	540.6	395	280	500	13.0W	DC12V



Technical Characteristics

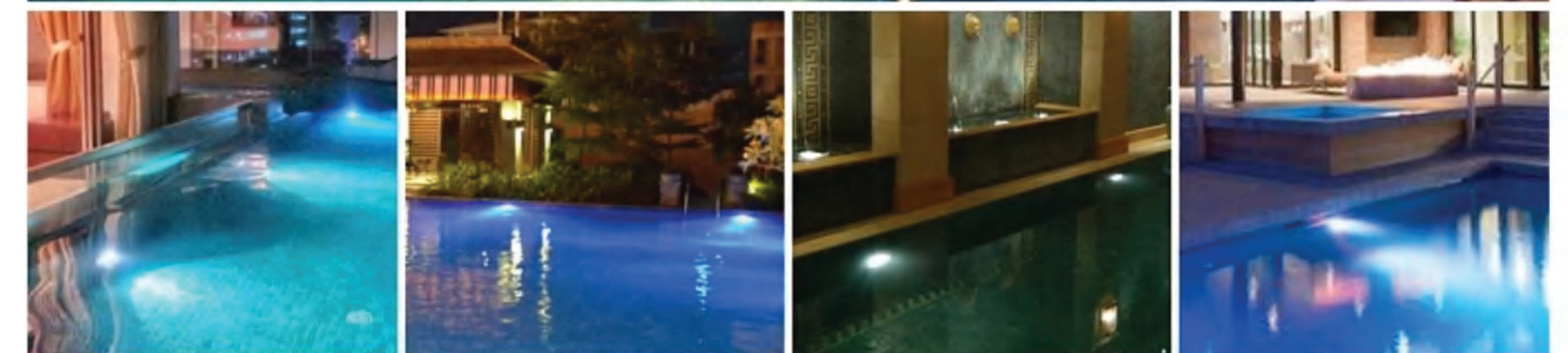
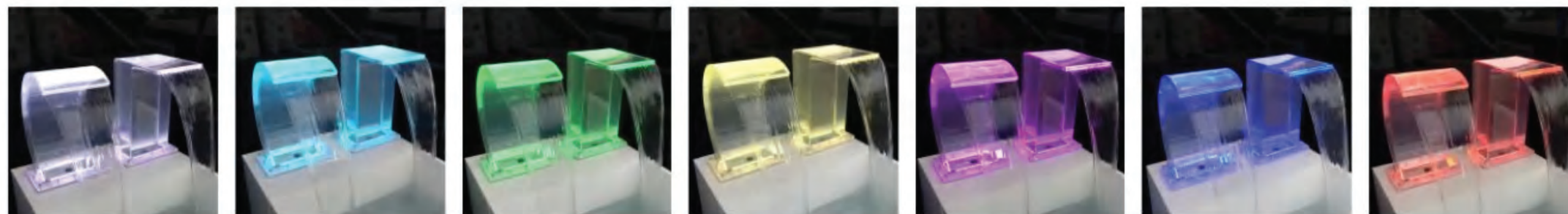
MODEL	Take over size	A(mm)	B(mm)	C(mm)	D(mm)	E(mm)	Power	Voltage
WF-302	1.5 inch 50mm	603	450	300	280	400	—	—
WF-303	2 inch 63mm	800	500	400	350	500	—	—
WF-302LED	1.5 inch 50mm	603	450	300	280	400	13.0W	DC12V
WF-303LED	2 inch 63mm	800	500	400	350	500	14.0W	DC12V

K-01

K25

MODEL : K25

Operating temperature	-20~+40°C
Input	AC 100V-220V 50/60Hz
Output	DC 12V/60w
Transmitting distance	20m



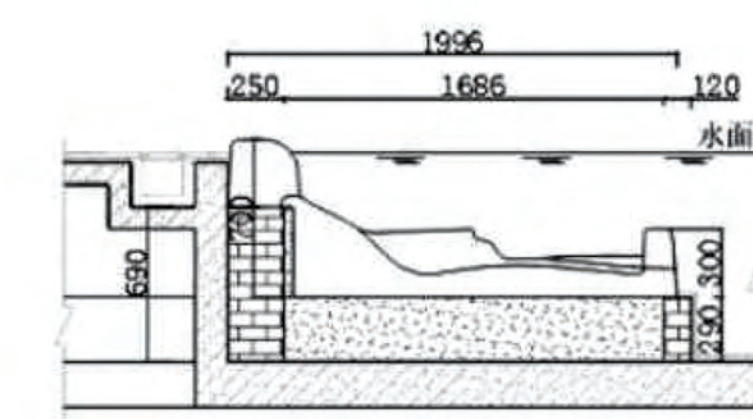
SPA SERIES



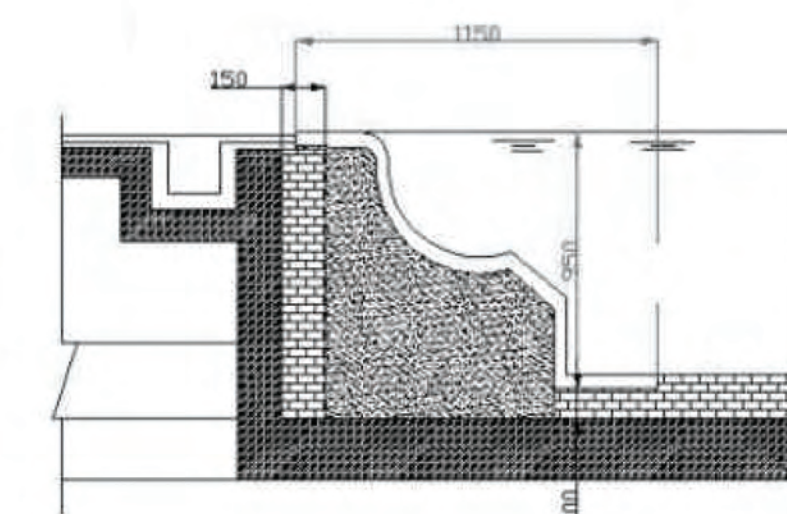
SPA Series



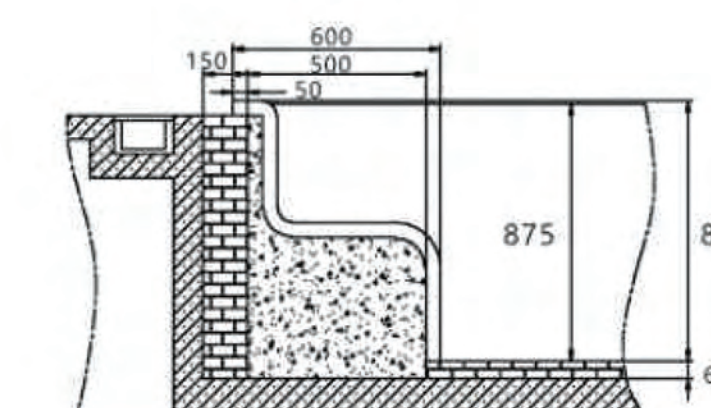
Description	Model No.	Material	Length (mm)	Width (mm)
Spa bed	VTSPA-14	Acrylic	1996	830



Description	Model No.	Material	Length (mm)	Width (mm)
Massage seat	VTSPA-15	Acrylic	950	700



Description	Model No.	Material	Length (mm)	Width (mm)
Massage seat	VTSPA-09	Acrylic	890	600



SPA Series



VTSPA-05
Vichy Shower



VTSPA-06B
Water pressure massage bed
(1860*680mm)



VTSPA-06A
Water pressure massage bed
(1860*680mm)



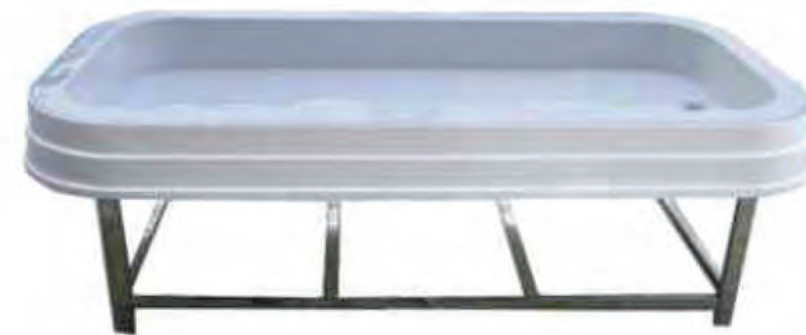
VTSPA-17
Hydrotherapy bed
(1900*720mm)



VTSPA-03
Salt bath hydromassage bed
(2150*1060*610mm)



VTSPA-02
Salt bath hydromassage bed
(2150*1060*570mm)



VTSPA-01
Salt bath bed
(2100*1060*570mm)



VTSPA-05
Water foot massager
(580*360*480mm)



VTSPA-11
Massage bed
(1900*600*600mm)



Inductive Controller



VTP-33301

Exquisite purple crystal sensor Ø 130 x 65
Single channel induction controller (disk assembly) 66 x 72 x 115



VTP-33302

Diamond purple crystal sensor Ø 130 x 70
Single channel induction controller (disk assembly) 66 x 72 x 115



VTP-33304

Frosted white crystal sensor Ø 130 x 65
Single channel induction controller (disk assembly) 66 x 72 x 115



VTP-33305

Diamond purple crystal sensor Ø 130 x 90
Single channel induction controller (disk assembly) 66 x 72 x 115



VTP-338

Stainless steel & crystal sensor
Ø 90 x 40



VTP-33303

Chromium plated ABS & Siwer ABS sensor
Ø 90 x 40



VTP-340

Stainless steel inclined column & ABS sensor
Ø 115 x 90



VTP-33306

Under water massage lamp
113 x 113



VTP-33311

Small display screen
(wall hanging)
270 x 150 x 30



VTP-33309

Small display screen
(Concealed installation)
265 x 130 x 30



VTP-33310

Double sided desktop display screen
(Two sides and two temperature)
270 x 140 x 100



VTP-33312

Big display screen
(wall hanging)
265 x 270 x 30

SPA Series



VT-090
Arc hook water waterfall
600x300mm



V-7090
Dolphin fountain



VT-092
Water curtain



VT-081
Water curtain



VT-011B
Universal strength shower



VT-030B
Duck mouth shower



VT-020B
Barrage shower



VT-031
Back massage shower



Size:
400/500/600mm

VT-080
High waterfall screen
equipment



VT-1111B
Round bubble board



VT-0022
Water mist nozzle

SPA Series



VT-022
Fan shape shower



VT-023
Universal phoenix
tail shower



VT-030
Duck mouth impactor
shape shower



VT-020
Heavy rain shower



VT-011
Universal strength
shower



VT-010
Universal air jet
shower



VT-0004
Aerated nozzle



VT-0007
Phoenix tail nozzle



VT-00023
Universal jade
chopstick shower nozzle



VT-0011
Spraying round nozzle



VT-0006
Heavy rain nozzle



VT-0003
Universal water hammer nozzle



VT-0014
Slimming nozzle



VT-0012/13
Duck mouth shape nozzle
100/150mm



VT-0001
Flat hole nozzle



Size:
100/150/
200/300mm

VT-0008
Duck mouth shape nozzle



VT-0002
Fan shape nozzle



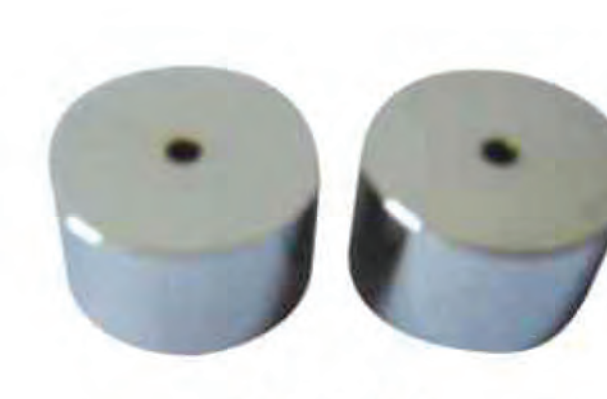
VT-0005
Water hammer nozzle



VT-0009
Five holes round nozzle



VT-0010
Three holes round nozzle



VT-0018
Single hole bubble nozzle



VT-0019
Three hole bubble nozzle

SPA Series



VT-061 Ball shape rain shower
VT-062 Ball spraying shower
VT-063 Ball universal hammer shower
VT-064 Ball universal duck shower
VT-065 New heavy rain shower
VT-066 New duck month shape shower
VT-068 Double head shower



VT-111 Round bubble shower
Size: Ø300mm
VT-110 Round spraying shower
Size: Ø300-450mm
VT-112 Fountain nozzle
Size: Ø300mm
VT-113 Square bubble shower
Size: 300x350mm
VT-116 Floating bath spray board
Size: 350x350mm



VT-115
Size: 250x180mm
VT-117 Hips massage
Size: 400x25mm
VT-120 Water foot hydraulic massager
Size: 350x350mm
VT-114 Rain shower
Size: 1000x300x100mm



VT-118 Stainless steel spa massage chair
Size: 600x500mm
VT-121 Acupuncture shower
VT-128 Body massage shower



VT-123 Nine hole bubble device
VT-122 Bath bracket
VT-067 Acupuncture shower



VT-133 Barrel impact

SPA Series



VT-137 Patting bath
Size: 1500x350x1700mm
VT-136 Stainless steel air bubble bed
Size: 1700x600mm
VT-125 Vichy Shower
Size: 980x220mm



VT-119 Vichy Shower
Size: 2600x1600x200mm
VT-126 Vichy Shower
Size: 2000x200mm
VT-131 Water link



VT-135B Hair collector
DN50/DN80/DN100/DN150
VT-135A Hair collector
DN50/DN80/DN100/DN150
VT-135C Hair collector
DN50/DN80/DN100/DN150
VT-139 Forced shower



Cartoon Impact Bath



Dolphin
P-04 H=1330mm



Penguin
P-80 H=1330mm



Fish
P-03 H=1340mm



Golden dragon
P-02 H=1450mm



Clown
P-10



Conch
P-09



Sea Lion
P-06 H=1400mm



Little Elephant
P-07 H=1320mm



Hippocampi
P-05 H=1400mm



VT-301
Water mushroom

- 1500x2000mm
- 1250x2000mm
- 1000x2000mm



VT-302
Stainless steel water mushroom

Size:
600/800/
1000/1200mm

MACHINE ROOM EQUIPMENT



Air Blower



VTP-003



VTP-002



FEATURES

- Centrifugal vanes make high pressure, great outflow and low noise.
- High quality engine ensures safe and steady effect. Non-oil lubrication and pure compressed air. Phosphorize disposition, regular coloring and adhesive strength.
- Wide range of power, long life of this machine.

APPLICATION

- To be used in paper cutters, filter cigarette shapers, pulverizingdries, net printers, photo plate makers, liquid-canning machines, electric welding equipment, film machinery, plate makers, liquicanning machines, electric welding equipment, film machinery, papertransporting, clothes dry-cleaning, rinsing, air cleaning, pneumatic conveying, material conveying, collection and so on.

NOTE

- The products must be put at dry and ventilated places abovewater level.

Technical Characteristics

Model	Voltage	Power	Pressure	Vacuum	Output	Pressure	Weight	Dimensions
XB-550	220v/380v/50Hz	550w	15kPa	-12kPa	95m³/h	< 10kPa	10kg	294x288x315mm
XB-750	220v/380v/50Hz	750w	18kPa	-14kPa	110m³/h	< 10kPa	14kg	294x288x315mm
XB-1100	220v/380v/50Hz	1100w	22kPa	-18kPa	165m³/h	< 16kPa	20kg	313x333x339mm
XB-1500	220v/380v/50Hz	1500w	25kPa	-18kPa	230m³/h	< 13kPa	25kg	332x328x358mm
XB-2200	220v/380v/50Hz	2200w	36kPa	-24kPa	260m³/h	< 20kPa	35kg	345x360x371mm
XB-3000	220v/380v/50Hz	3000w	38kPa	-26kPa	280m³/h	< 25kPa	38kg	485x392x404mm
XB-4000	380v/50Hz	4000w	40kPa	-26kPa	350m³/h	< 22kPa	50kg	434.5x482x440mm
XB-7500	380v/50Hz	7500w	55kPa	-30kPa	470m³/h	< 30kPa	87kg	560x535x560mm

Plate Heat Exchanger



VTP-011

1-10m² Plate type heat exchanger



Technical Characteristics

Model	Exchange area (m²)	In/Outlet water (mm)	WxHxThickness (mm)	Maximum weight (kg)
BR005	0.5-5	40	230x580x(158-300)	70
BR01	2-10	50	320x860x(472-760)	280
BR02	8-30	65	410x1180x(660-1060)	590
BR03	10-60	100	490x1420x(730-1400)	1450

Tubular Heat Exchanger



VTP-010 I

I type heat exchanger

VTP-010 II

II type heat exchanger

VTP-010 III

III type heat exchanger

Features:

- Heat Exchanges are highly engineered for fast heating, high capacity and easy use.
- High capacity, multi-tubuar heat exchange.
- Primary inlet water circuit(heating agent).
- High efficiency, low energy consumption.

Technical Characteristics

Model	Power (kw)	Heat Water Flow (l/min)	Cold Water Flow (l/min)	Heat Transference SQFT (m²)	Length (mm)	Volume (m³)
MF80	24	20	150	2.0 0.10	310	<30
MF135	40	25	200	3.2 0.30	390	30-60
MF200	60	30	250	4.6 0.45	590	60-75
MF260	75	35	300	6.4 0.60	590	75-115
MF400	120	50	360	12.0 1.10	1090	115-175

Water Heater



VTP-007
"ET" water heater
5.5-60kw/220V/380V



VTP-006
"ET" water heater
5.5-60kw/220V/380V

Technical Characteristics

Item No.	Power (KW)	Inlet/Outlet (inch)	Voltage (V)	Package(mm) L x W x H
H-55	5.5	1.5	220/380	500x385x130
H-75	7.5	1.5	220/380	500x385x130
H-110	11	1.5	220/380	500x385x130
H-150	15	1.5	220/380	500x385x130
H-180	18	1.5	380	500x385x130
H-240	24	2	380	705x390x405
H-320	32	2	380	705x390x405
H-360	36	2	380	705x390x405
H-450	45	2	380	730x400x530
H-600	60	2	380	730x400x530

Technical Characteristics

Item No.	Power (KW)	Inlet/Outlet (inch)	Voltage (V)	Package(mm) L x W x H
HS-55	5.5	1.5	220/380	500x385x130
HS-75	7.5	1.5	220/380	500x385x130
HS-110	11	1.5	220/380	500x385x130
HS-150	15	1.5	220/380	500x385x130
HS-180	18	1.5	380	500x385x130
HS-240	24	2	380	705x390x405
HS-320	32	2	380	705x390x405
HS-360	36	2	380	705x390x405
HS-450	45	2	380	730x400x530
HS-600	60	2	380	730x400x530

New Water Heater



NX water heater
3-9KW/220V/380V



NX water heater
12-18KW/220V/380V

Technical Characteristics

Item No.	Power (KW)	Inlet/Outlet (inch)	Voltage (V)
NX-30	3	1.5	220/380
NX-60	6	1.5	220/380
NX-90	9	1.5	220/380
NX-120	12	1.5	220/380
NX-150	15	1.5	220/380
NX-180	18	1.5	220/380

Heat Pump



MD20



MD50

Swimming Pool Heat Pump Technical Characteristics

Model No	MD20D	MD30D	MD50D	MD100D	MD150D	MD200D
Rated input power(KW)	1.84	2.98	4.6	9.2	11	19
Delivered(KW)	7	14	21	42	50	84
Rated voltage(V)	220	220/380	380	380	380	380
Rated frequency(Hz)	50					
Rated Current(A)	8	13/6	9	18	25	35
Maximum outlet water temperature(°C)	35/45					
Water flow(L/H)	2,000	3,600	5,500	11,000	15,000	22,000
Circulating water pipes(mm)	50	50	50	63	63	75
Dimensions(mm)	1050*350*620	1120*490*710	1120*490*1260	1440*760*1060	1440*760*1060	1990*980*2080
Weight(KG)	75	95	150	300	330	600
Level of security	IPX4					
Electric shock protection grade	1级 One-grade					
Noise(Db)	≤40Db	≤45Db	≤55Db	≤60Db	≤60Db	
Refrigerant	R417A/R407C/R22/R404A					
Compressor	Valley wheel compressor					
Evaporator	Finned heat exchanger					
Condenser	Titanium heat exchanger					
Throttle units	Electric expansion valve					
Defrost	PID defrost, according to the time, fin temperature and environment temperature running state, intelligent defrost					
Control system	Multi-Control					
The test conditions of above parameter	Dry bulb temperature: 20°C Wet bulb temperature: 17°C Inlet water temperature: 15°C					

Cool Machine



2HP / 220V
3HP / 380V
930X650X960mm

10HP / 380V 1450X800X1600mm
8HP / 380V 1450 x 800 x 1600mm
5HP / 380V 1250X650X1080mm

Dehumidify Unit



DH-504B

- Front air inlet, left side air outlet.
- Defrosting function automatically starts when the ambient temp is below 18°C.
- intelligent Micro-computer control with Digital Displaying humidity level.
- Four casters make the machine move freely.
- Filter, easy take-down for cleaning.

Applied area: 2. 6-3m Height 40-60m²

Voltage/Cycle	(W) Power Input	Compressor	(Kg) Bucket Capacity	(mm) Packing Size	(Kg) Gross Weight
220V/50Hz	920	Rotary	8	530X375X730	32



DH-1382B

Applied area: 2. 6-3m Height 140-160m²

Voltage/Cycle	(W) Power Input	Compressor	(mm) Packing Size	(Kg) Gross Weight
220V/50Hz	2000	Rotary	710X575X1175	78

- Left side air outlet, front air inlet.
- Defrosting function automatically starts when the ambient temp is below 18°C.
- Digital display makes humidity control more freely.
- Four casters make the machine move freely.
- External drainage pipe drains off water continuously.



DH-1603B

Applied area: 2. 6-3m Height 170-200m²

Voltage/Cycle	(W) Power Input	Compressor	(mm) Packing Size	(Kg) Gross Weight
220V/50Hz	3220	Rotary	760X565X1910	137

- Upward air outlet, front air inlet.
- Defrosting function automatically starts when the ambient temp is below 18°C.
- Digital display makes humidity control more freely.

NQ Series Chlorinator



“PIKES” Saltwater solutions:

Salt chlorinators, are an alternative means of sanitizing your pool with chlorine using the process of electrolysis.

The electrolysis process is achieved by passing the salt water solution through an electrolytic cell which converts sodium chloride(salt) in the water into chlorine gas which, when dissolved in water become sodium hypochlorite(liquid chlorine).

Safe and respecting the environment, this technology brings you:

- Relaxation: Your pool is automatically disinfected.
- Safety: Reduction in chlorine storage and handling.
- Comfort: Clean, safe and crystal-clear water.
- Health and well-being: Therapeutic, saltwater does not irritate eyes and dry out skin.

Product characteristics:

- The chlorine production of NQ series salt chlorine generator has been improved obviously, and the disinfection of swimming pool is more efficient.
- It can adjust the chlorine production in 6 grades, meet the requirements of swimming pool in different operation periods, save energy and be very environmentally friendly.
- Simple operation, Chinese and English menu function settings, with manual and automatic time control.
- The reactor has the function of forced heat dissipation and automatic reverse pole cleaning. The reactor has the structure of resin protective layer, and the service life of the product is longer.
- SQ series salt ammonia generator can realize automatic control of swimming pool by uncontrollable circulating water pump (1 set) and underwater lamp (1 set).
- It has the functions of water flow detection, water temperature display, internal overheating protection, salt level prompt, and high-definition OLED display screen.
- There are two optional outlets, which greatly facilitates different management requirements in actual installation.
- Designed removable movable titanium plate structure for easy installation and maintenance.

Technical Characteristics

Model	LxWxH Dimensions(mm)	Chlorine production (g/h)	Working power supply	(Max)	(m ³)
NQ 20	365 x 260 x 140	16	AC220~240V/50Hz	250W	≤68
NQ 30	365 x 260 x 140	25	AC220~240V/50Hz	250W	≤105
NQ 40	365 x 260 x 140	33	AC220~240V/50Hz	250W	≤140
NQ 50	365 x 260 x 140	42	AC100~240V/50Hz	250W	≤175

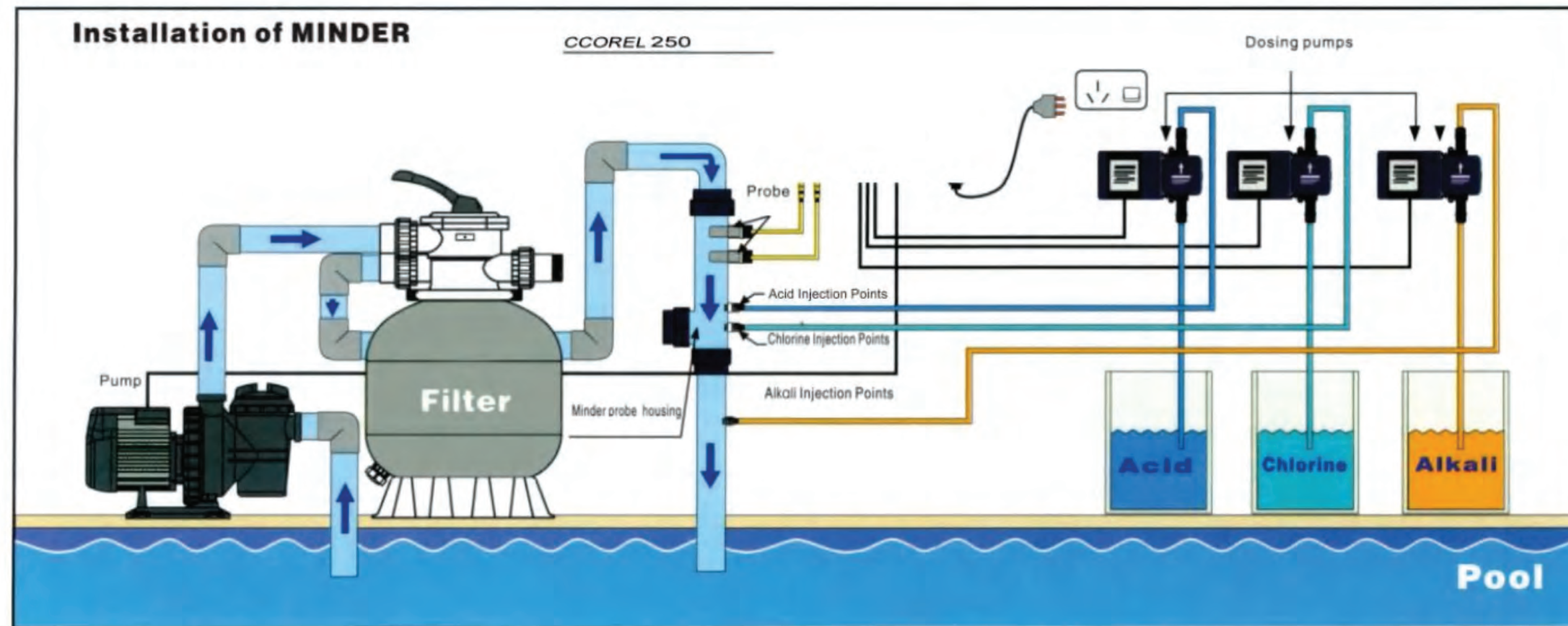
CCOREL 250 Series Pool Controller



VTP-024
240x200x120mm

SIMPLE TO OPERATE

The CCOREL 250 ORP/PH Digital Controller automatically maintains both sanitizer ORP(oxidation-reduction potential or redox) and water PH in pools and spas. All operating functions are clearly labeled and accessible from the front panel with safety and easy-reset features not found on other controllers. The default PH control level is 7.0. Below 6.9, the water is too acidic and causes corrosion and eye irritation. Above 7.5, it is too alkaline and causes are irritation plus water cloudiness, scaling, stains and reduced sanitizer efficiency. The default ORP control level is 650mV, values for prevention of germs and bacteria.



Swimming Pool Equipment



VTP-004
Sidekick-Chlorine feeder

703#
Maximum pressure: 10 bar
Flow rate: 9L/H
Working type: Electronic
Voltage: 220V

803#
Maximum pressure: 4 bar
Flow rate: 54L/H
Working type: Electronic
Voltage: 220V



VTP-005
Sidekick-Chlorine feeder
BLUE WHITE

C-660P
Maximum pressure: 4 bar
Flow rate: 13L/H
Working type: Mechanical
Voltage: 220V

C-6125P
Maximum pressure: 2.1 bar
Flow rate: 30L/H
Working type: Mechanical
Voltage: 220V



VTP-009
CL-100
Automatic Chlorine/Bromine off-Line feeder

VTP-009A
CL-200



VTP-008
Automatic Chlorine/Bromine
off-Line feeder



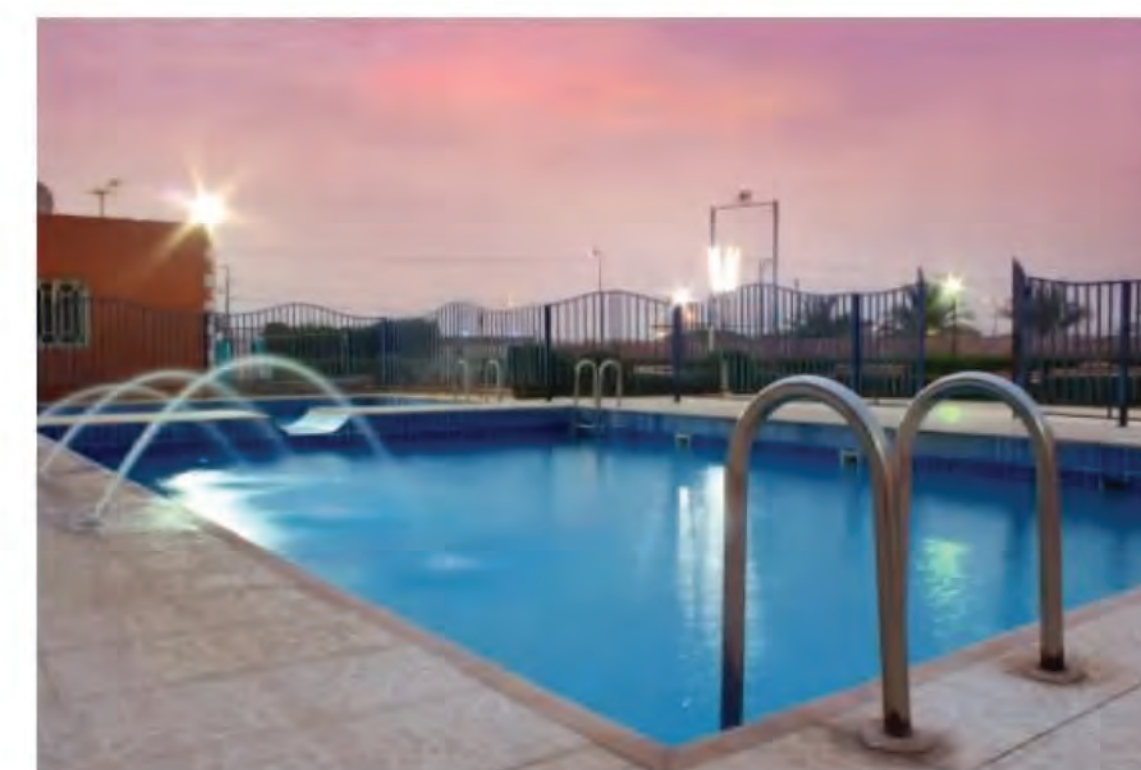
OM-3834
Sup & Blue Clarifier



OM-3835
Sup & Blue Algaecide



VTP-027
Chlorine of sanitizing



OM-3836
Algaecide
(imported copper sulfate)



OM-3837
PH regulator



OM-3838
Precipitating agent
(aluminum chloride)

POOL SURROUNDING ACCESSORIES



Pool & SPA Accessories



VTP-325
Φ 150 Wind type swim lane line



VTP-326
Spiral arc Swimming pool lane rope



VTP-327
Φ 110 Normal Swimming pool lane rope



VTP-328
Φ 120 Six rowed Swimming pool lane rope



VTP-330
Φ 110 circle Swimming pool lane rope



Safe float line



VTP-365
Hook



VTP-366
Hook



VTP-364
Embedded cup



VTP-316
Life buoys



VTP-332
Life clothe



VTP-333
Life clothe



Life-Gaurd chair
1900x900x800mm

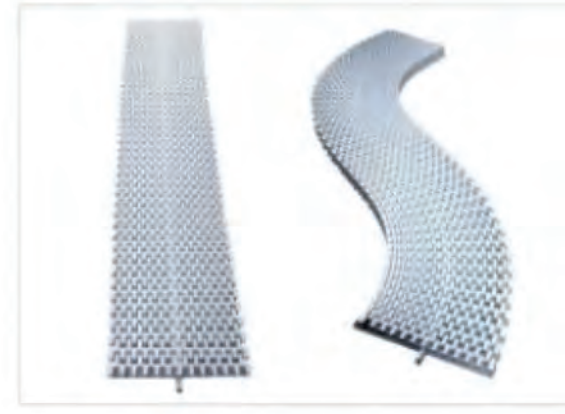


Life-Gaurd chair
1900x900x800mm



VTP-315
Lane line reel
size: 150x980x108mm

Pool & SPA Accessories



VTP-602 18/20/25/30CM



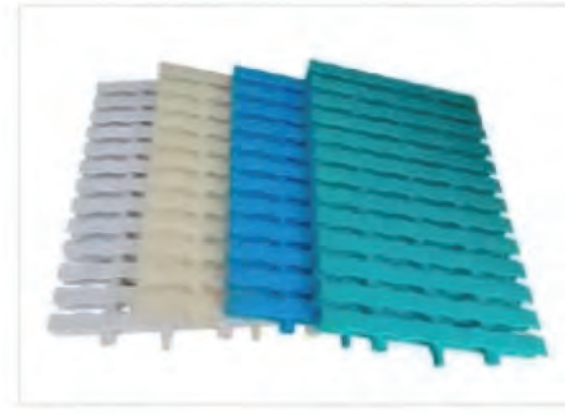
VTP-604 18/20/25/30CM



VTP-605 18/20/25/30CM



VTP-607 18/20/25/30CM



VTP-609 18/20/25/30CM



VTP-613 30/35/40CM

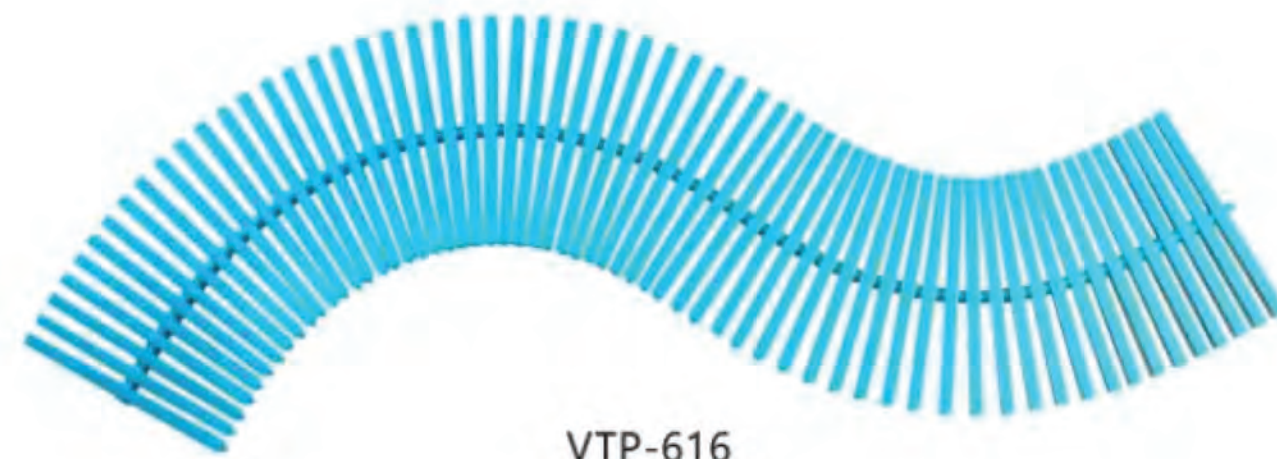


VTP-610 18/20/25CM



VTP-617 Grating Track

Aluminium Alloy Gratings



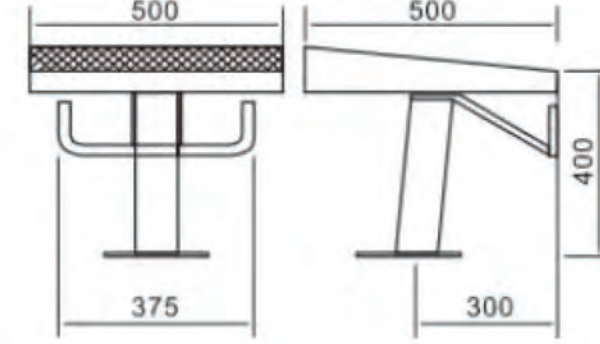
VTP-616
(18/20/25/30cm)



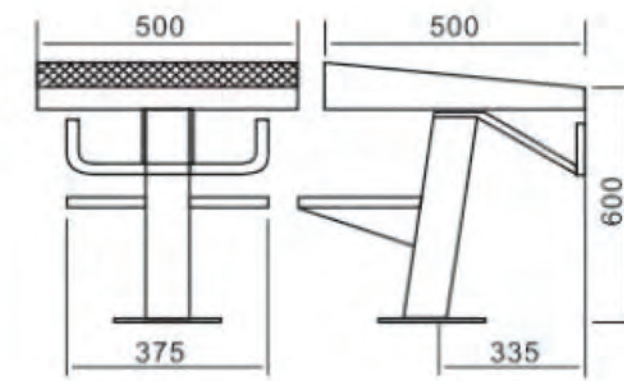
Pool Departure Platform



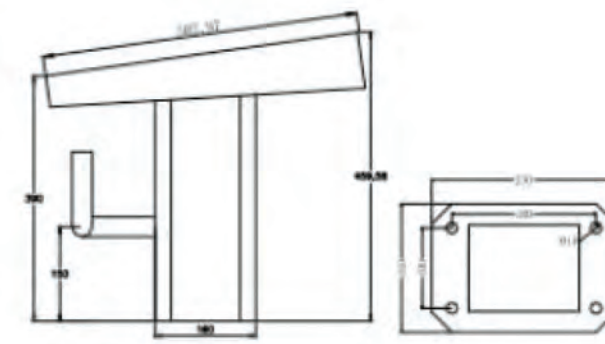
VTP-303
Standard one-step starting block



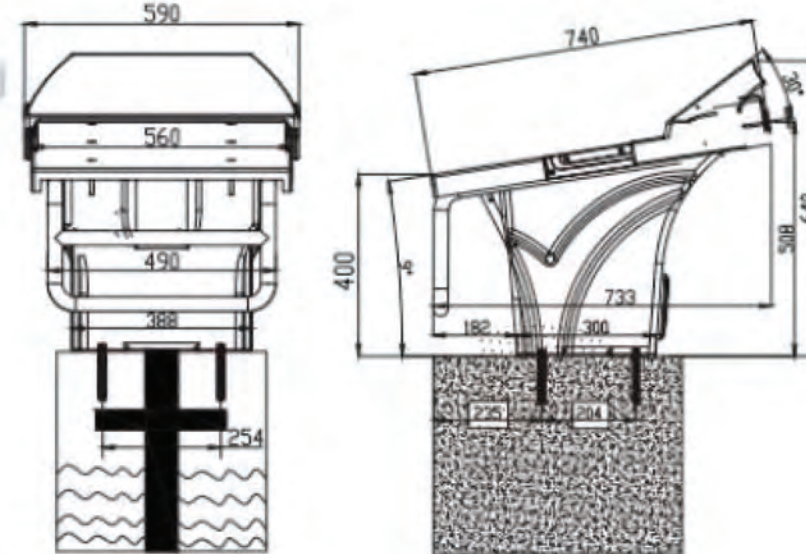
VTP-305
Standard two-step starting block



VTP-301
Standard one-step starting block

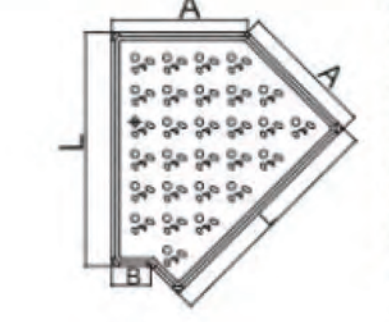


VTP-3011
Standard one-step starting block



Pool & SPA Accessories

45° Corner Tile For Grating



Model	A	B	H	L
FT 3045	174	50	28.5	300
FT 2545	154	50	28.5	250
FT 2045	133	50	28.5	200

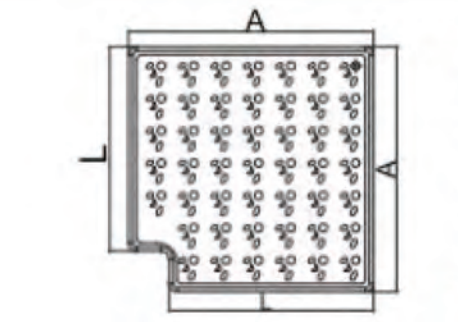
Model No

FT 3045
FT 2545
FT 2045

Specification

300-45° Fiberglass Corner Tile (White)
250-45° Fiberglass Corner Tile (White)
200-45° Fiberglass Corner Tile (White)

90° Corner Tile For Grating



Model	A	H	L
FT 3090	350	28.5	300
FT 2590	300	28.5	250
FT 2090	250	28.5	200

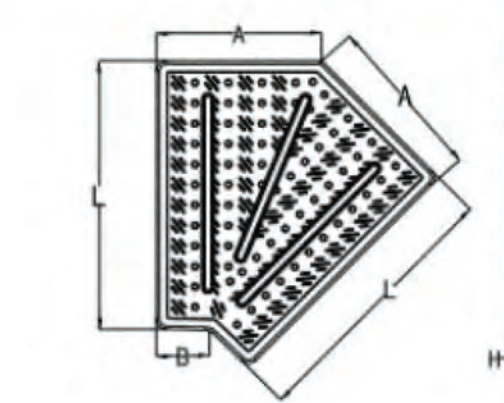
Model No

FT 3090
FT 2590
FT 2090

Specification

300-90° Fiberglass Corner Tile (White)
250-90° Fiberglass Corner Tile (White)
200-90° Fiberglass Corner Tile (White)

NEW 45° Corner Tile For Grating



Model	A	B	H	L
PT 3045	174	50	28.5	300
PT 2545	154	50	28.5	250
PT 2045	133	50	28.5	200

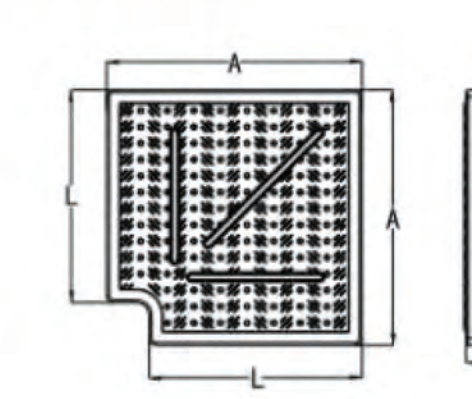
Model No

PT 3045
PT 2545
PT 2045

Specification

300-45° Fiberglass Corner Tile (White)
250-45° Fiberglass Corner Tile (White)
200-45° Fiberglass Corner Tile (White)

NEW 90° Corner Tile For Grating



Model	A	H	L
PT 3090	350	28.5	300
PT 2590	300	28.5	250
PT 2090	250	28.5	200

Model No

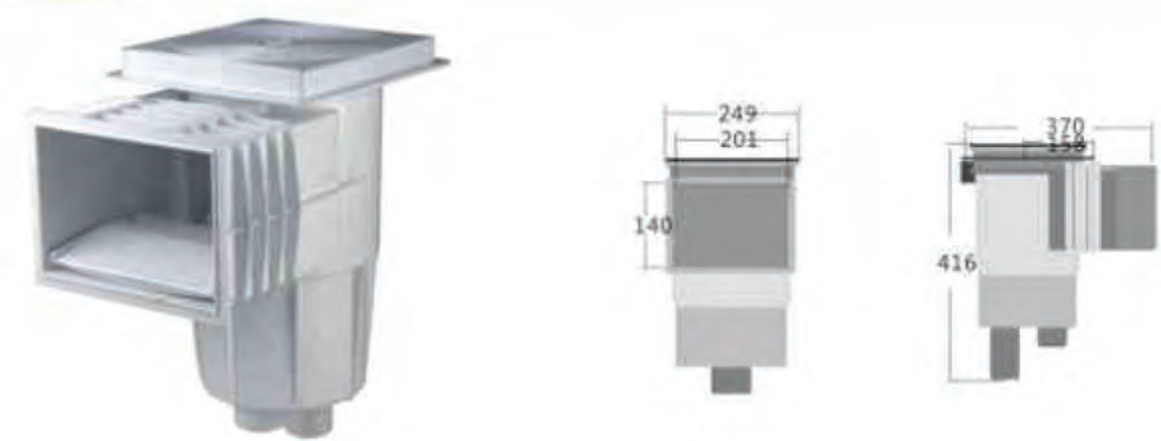
PT 3090
PT 2590
PT 2090

Specification

300-90° Fiberglass Corner Tile (White)
250-90° Fiberglass Corner Tile (White)
200-90° Fiberglass Corner Tile (White)

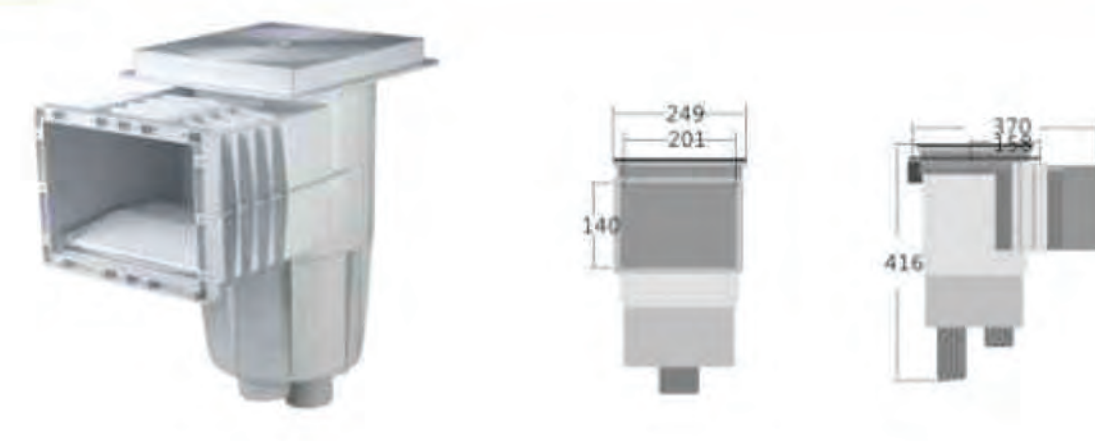
Pool & SPA Accessories

Skimmer



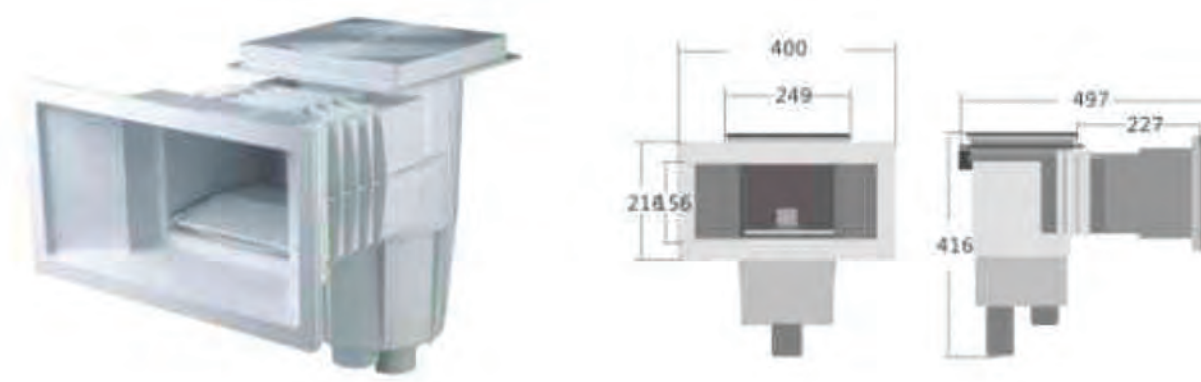
Model No	Colour	Material
SP0030C	White	ABS+UV

Skimmer



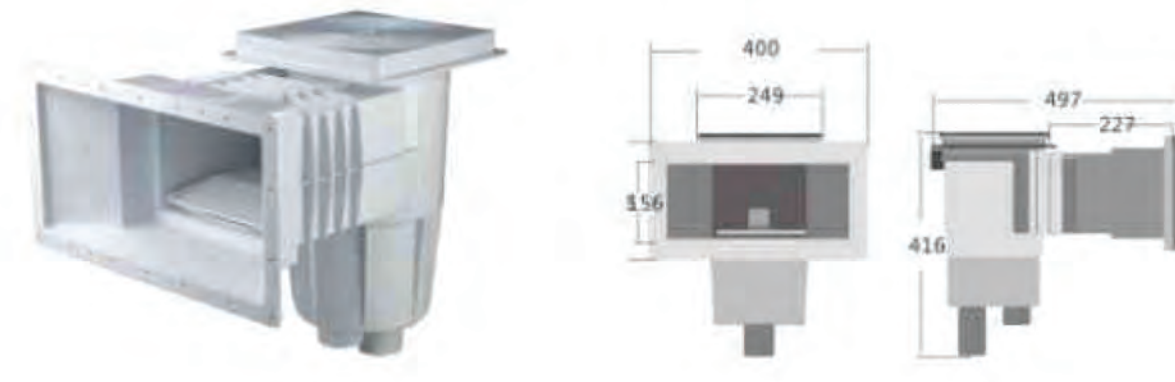
Model No	Colour	Material
SP0030V	White	ABS+UV

Skimmer



Model No	Colour	Material
SP0040C	White	ABS+UV

Skimmer



Model No	Colour	Material
SP0040V	White	ABS+UV

Main Drain (For Vinyl Pool)



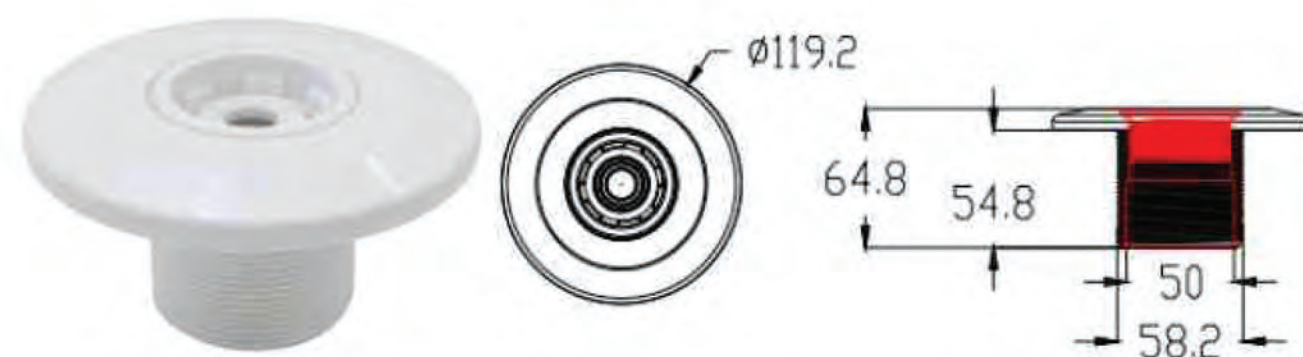
Model No	Colour	Material
SP2850V	White	ABS+UV

Main Drain (For Concrete Pool)



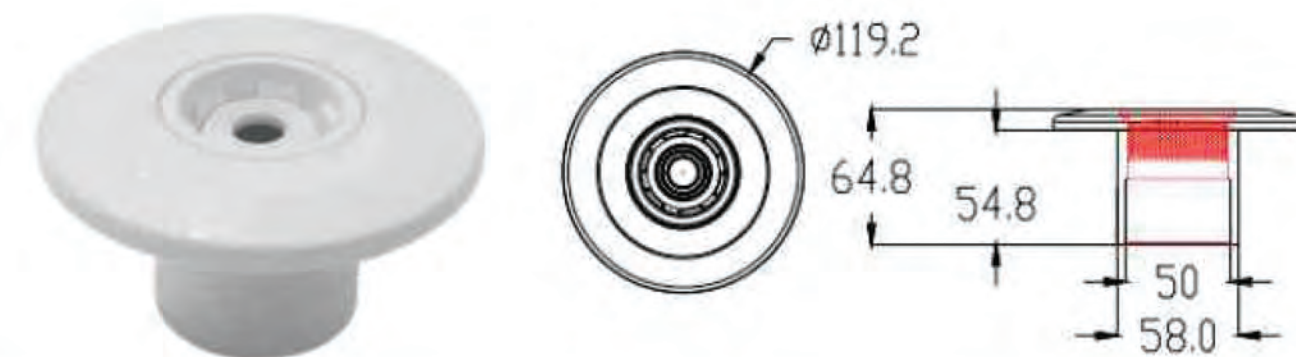
Model No	Colour	Material
SP2850C	White	ABS+UV

Outlet Fitting



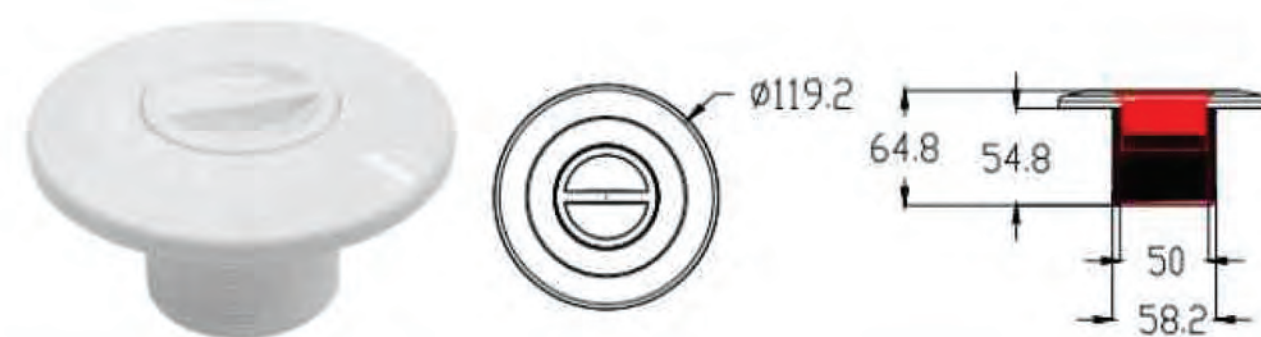
Model No	Colour	Material	Connection
SP2851	White	ABS+UV	1.5" interpolation 2" external

Outlet Fitting



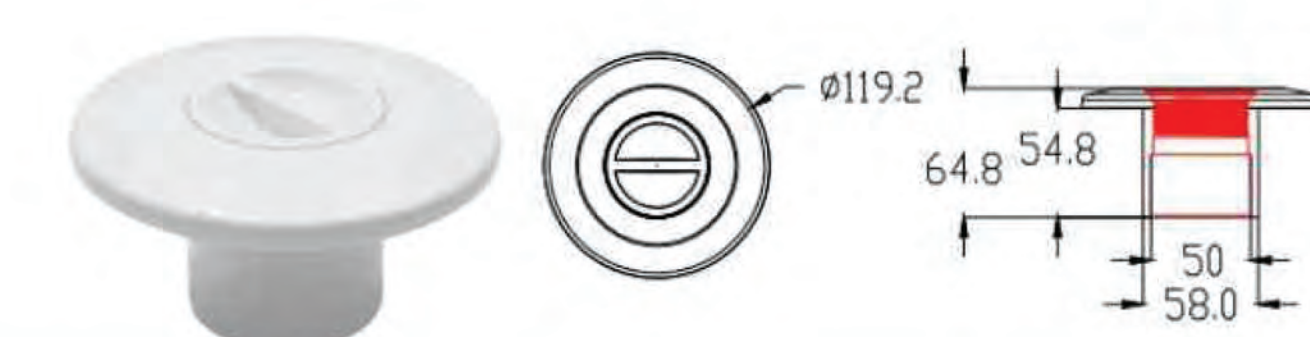
Model No	Colour	Material	Connection
SP2852	White	ABS+UV	1.5"

Suction Nozzle



Model No	Colour	Material	Connection
SP2853	White	ABS+UV	1.5" interpolation

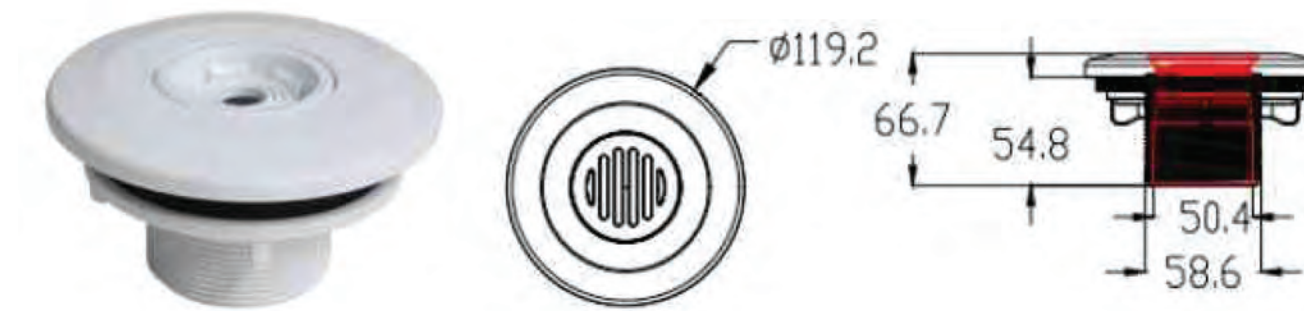
Suction Nozzle



Model No	Colour	Material	Connection
SP2854	White	ABS+UV	1.5"

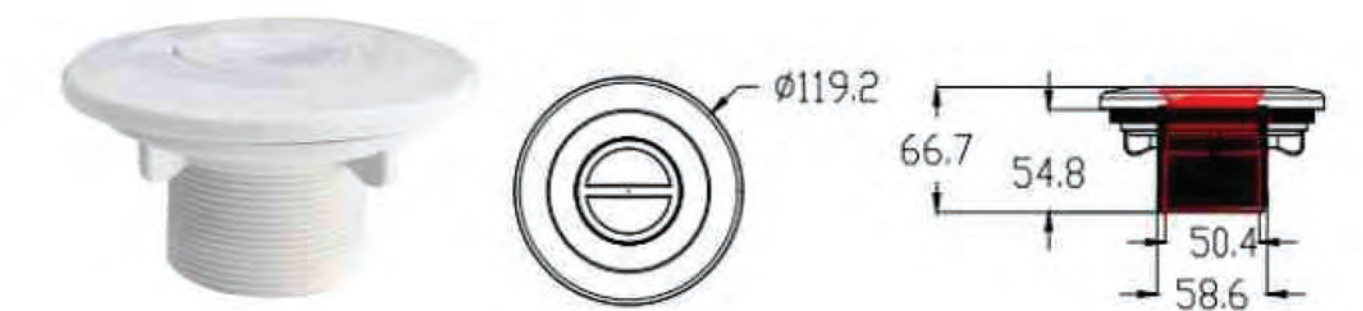
Pool & SPA Accessories

Wall Return (For Vinyl Pool)



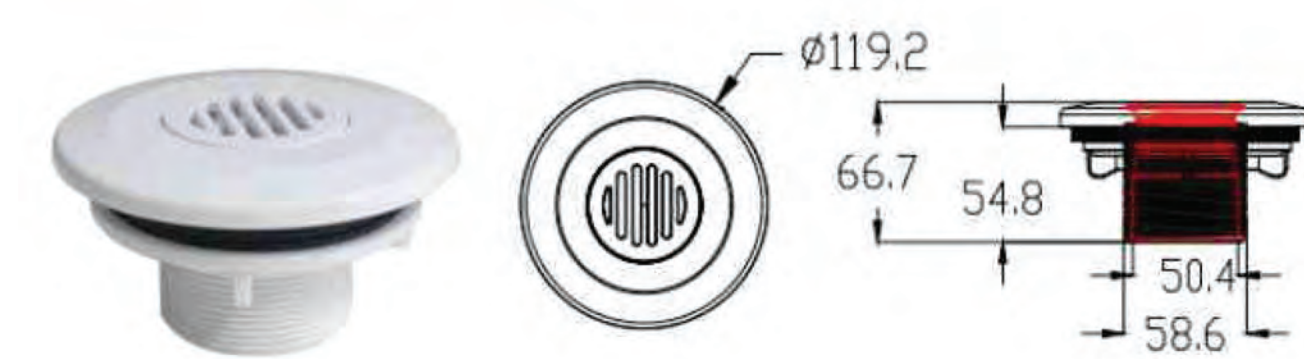
Model No	Colour	Material
SP1003V	White	ABS+UV

Wall Return (For Vinyl Pool)



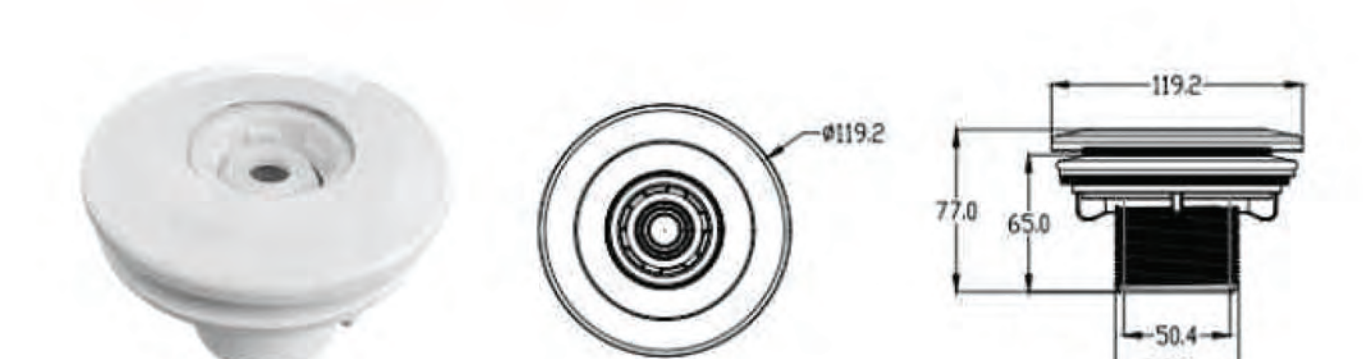
Model No	Colour	Material
SP1004V	White	ABS+UV

Vacuum Fitting (For Vinyl Pool)



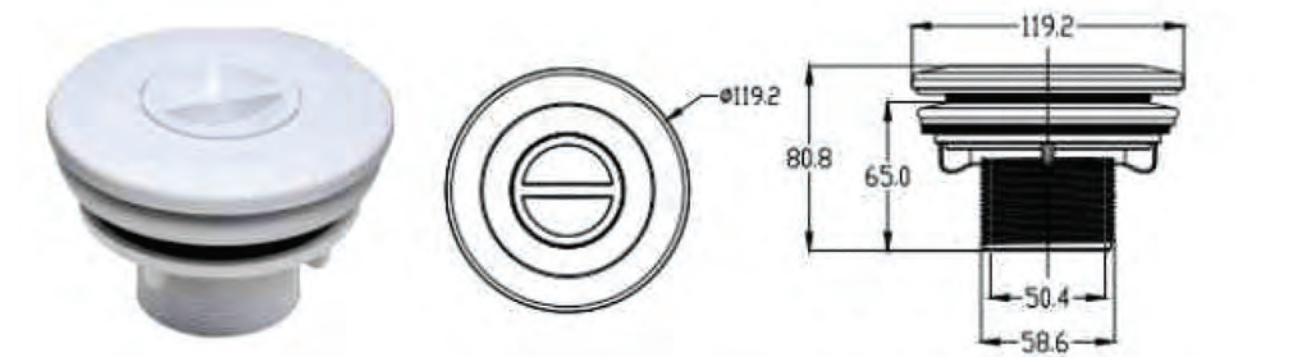
Model No	Colour	Material
SP1005V	White	ABS+UV

Outlet Fitting (For Vinyl Pool)



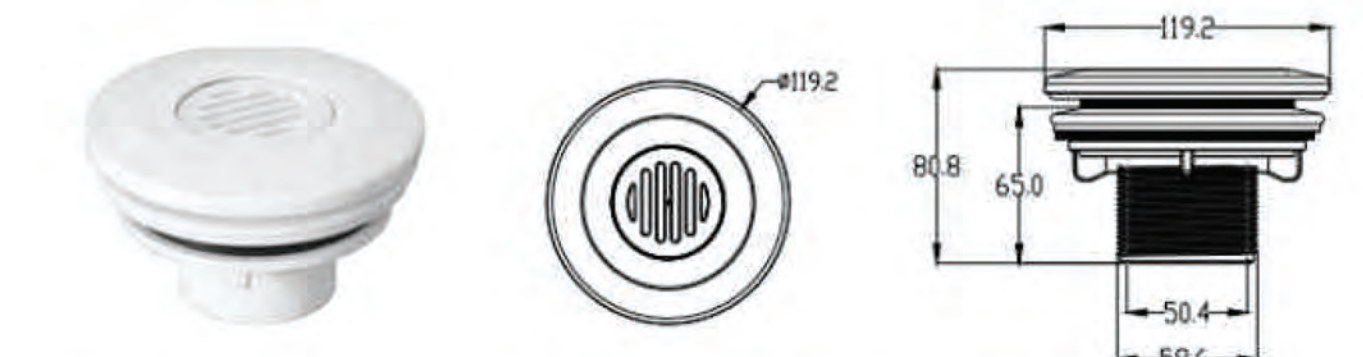
Model No	Colour	Material
SP1006V	White	ABS+PVC

Wall Return



Model No	Colour	Material
SP1007V	White	ABS+UV+PVC

Wall Return



Model No	Colour	Material
SP1008V	White	ABS+UV+PVC

Main drain



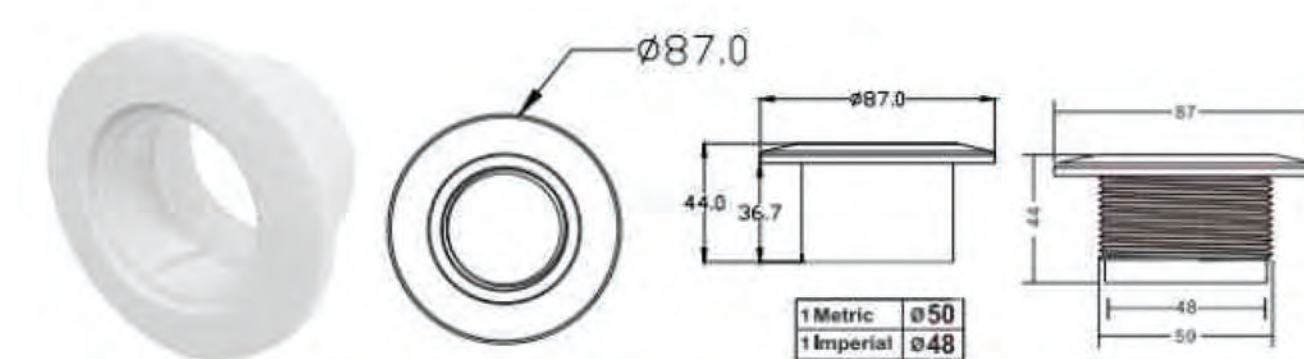
Model No	Colour	Material
SP1423	White	ABS+PVC

Out/inlet Fitting



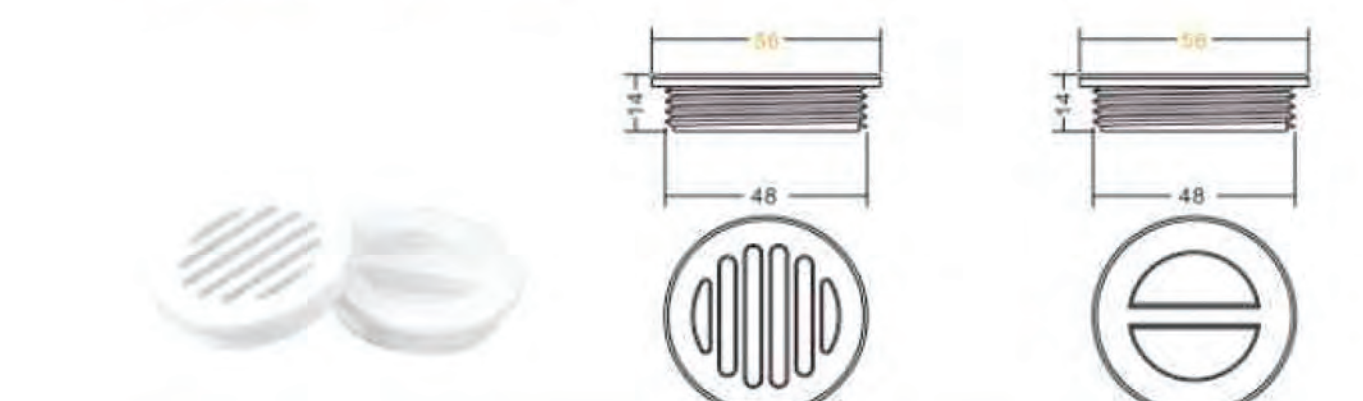
Model No	Colour	Material
SP-1425	Whiter	ABS

Suction Fitting



Model No	Colour	Material	Connection
SP1022	White	ABS+UV	1.5"
SP1022	White	ABS+UV	2" thread

Cover of Suction Fitting



Model No	Colour	Material
SP1022A	White	ABS+UV
SP1022B	White	ABS+UV

Pool & SPA Accessories



B-158
Connector
white 1.5" / 2"



F03
Tee
Size: DN50,Dn63 socket



F09-90
Degree Elbow
Size: DN50,Dn63 socket



N103
1.5" / 2"



N102
2"-1.5" / 1.5"-1"



N101
1.5" / 2"



F71
Double Union Ball Valve
Size: 1/2" to 4" thread, socket
1/2"-2": 235psi Max.
2-1/2"-4": 150 psi Max.



F61
Single Union Ball Valve
Size: 1/2" to 2" thread, socket
235psi Max



SP-1030S
Main drain



SP-1031 S
Main drain



SP-2866
Anchor type



N104
PVC
2" / 1.5" / 1"



SP-0022S
SS suction nozzle(screw)



SP-0024
SS water return(screw)



SP-0029
SS gutter drain(screw)



SP-0030
Copper floor drain



SP-2855
Discharge jet



SP-0022A
Motor pneumatic switch

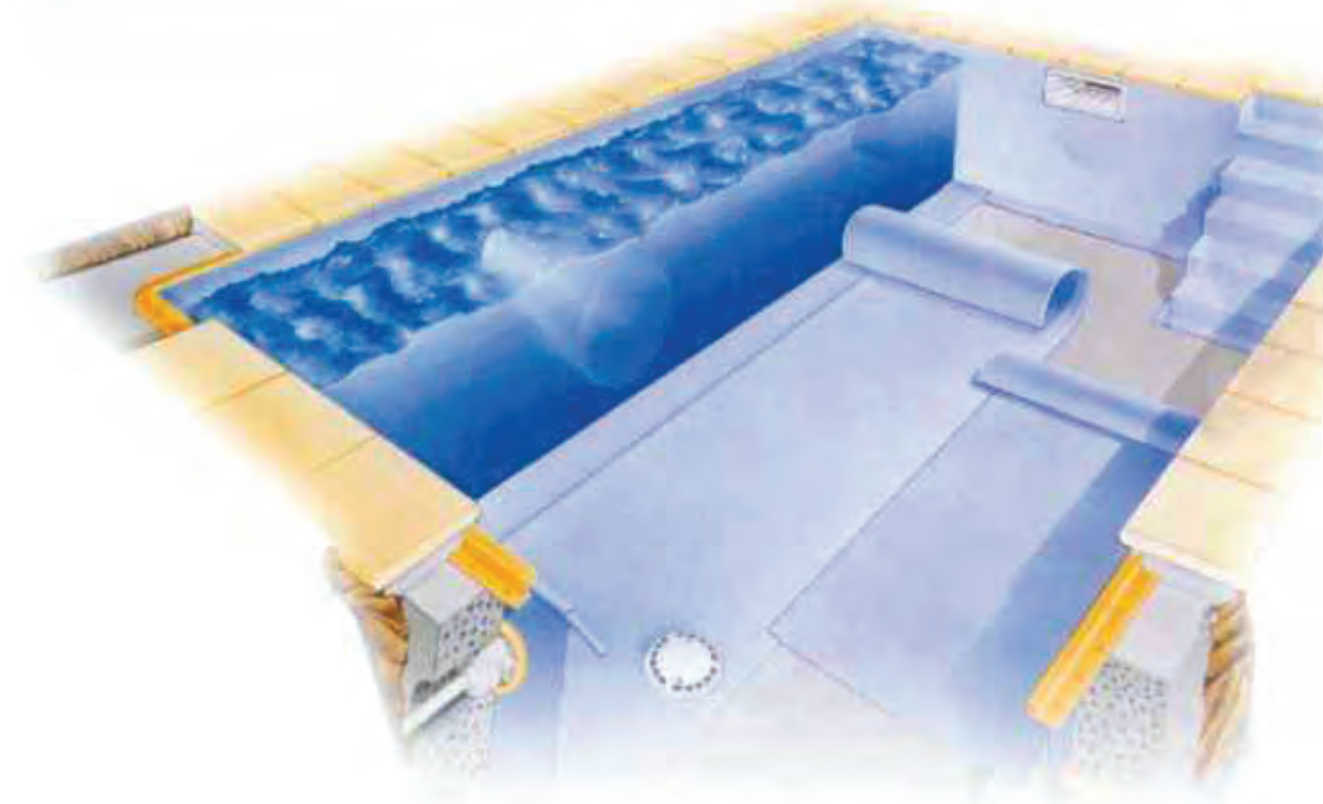


SP-0022
Plastic chrome plating switch

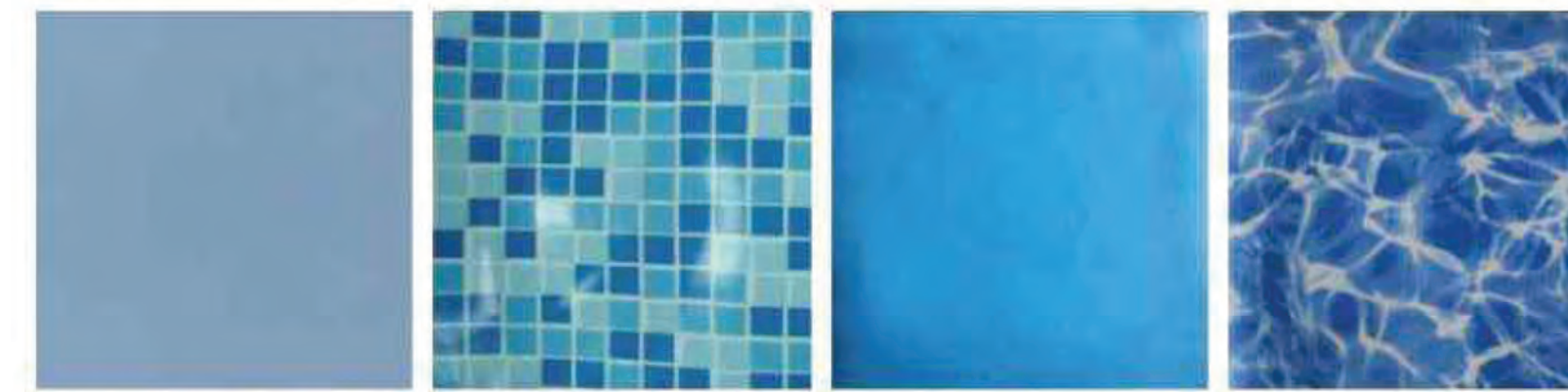


SP-0023
Plastic adjust switch

"PIKES" Liner Keeps The Swimming Pool For 5 Years Without Leaking Water



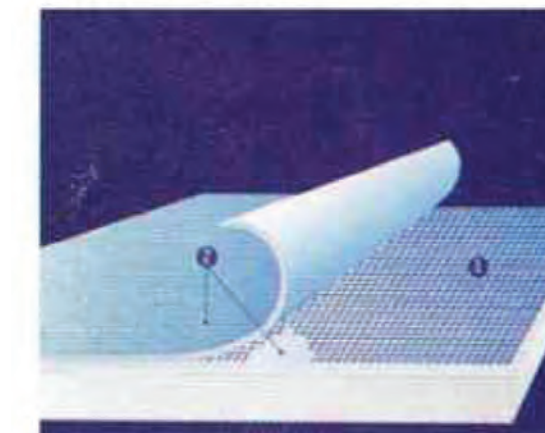
Non-slip vinyl liner



Clear blue pool liner Mosaic pool liner Dark blue pool liner Blue white pool liner

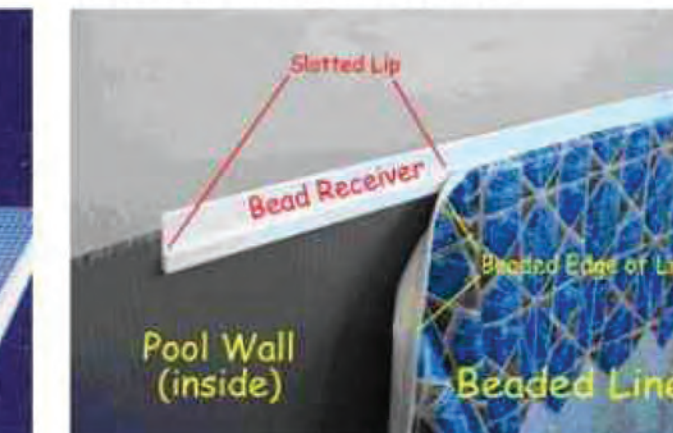
Model	Size	(mm)
Clear blue pool liner	2x25 (40) m	1.2mm
Mosaic pool liner	1.83x25 (40) m	1.5mm
Dark blue pool liner	1.83x25 (40) m	1.5mm
Blue white pool liner	1.83x25 (40) m	1.5mm

Instruction:

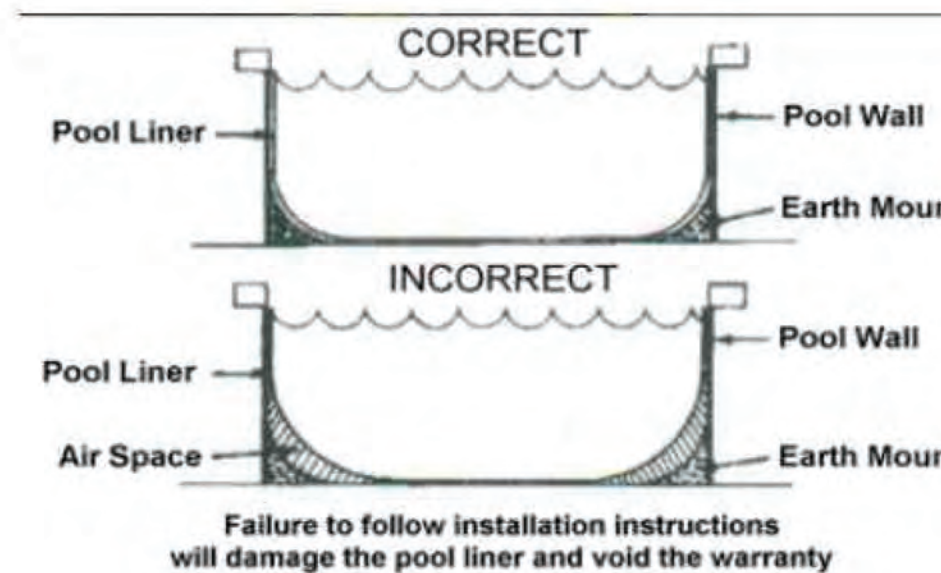


1.- Inner frame of polyester weft
2.- Highly resistant PVC

Installation details:



Remark:



Ideal for residential pools. Manufactured in reinforced PVC-P, this materials is the most useful for lining pools thanks to enhanced malleability, resistance to tearing, ease of welding, resistance to discoloration by UV rays and with a wide range of available colors.

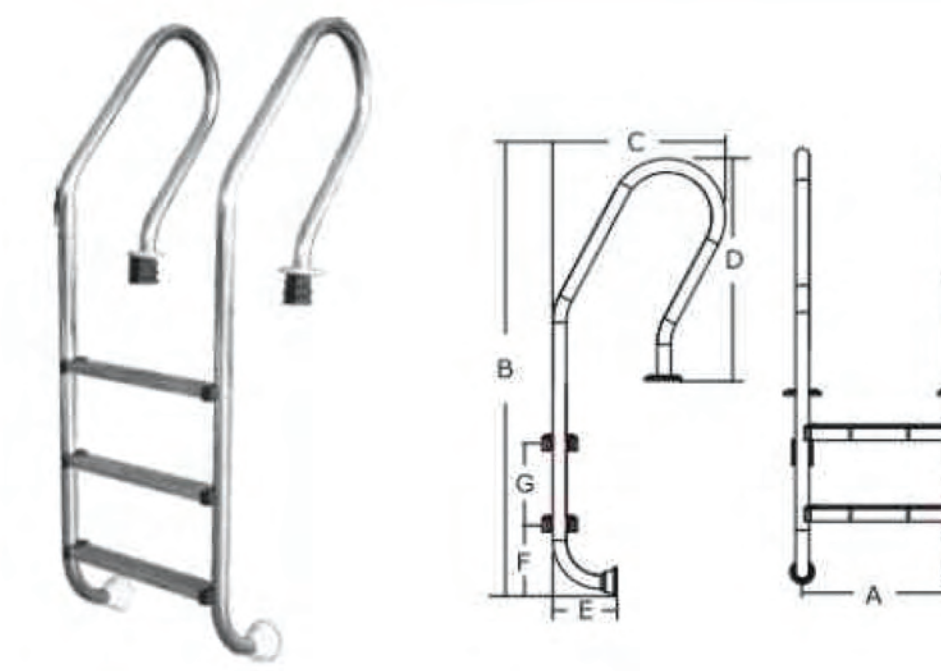
Made-to-measure liners are put together by high frequency welding machines at our facilities. Perfectly adaptable to any pool design or shape, with excellent watertight features, so you can forget about annoying leaks.

- *Ensures total watertightness in odd shaped pools or pools with numerous steps.
- *Highly flexible and adaptable.
- *Smooth and pleasant to touch, it is easy to maintain and durable.
- *Highly resistant to impacts and tearing.
- *PVC does not release dioxins into the atmosphere and can be recycled.
- *Compatible with concrete, prefabricated or steel panel pools. Can also be installed in pools with overflow.

LADDER SERIES

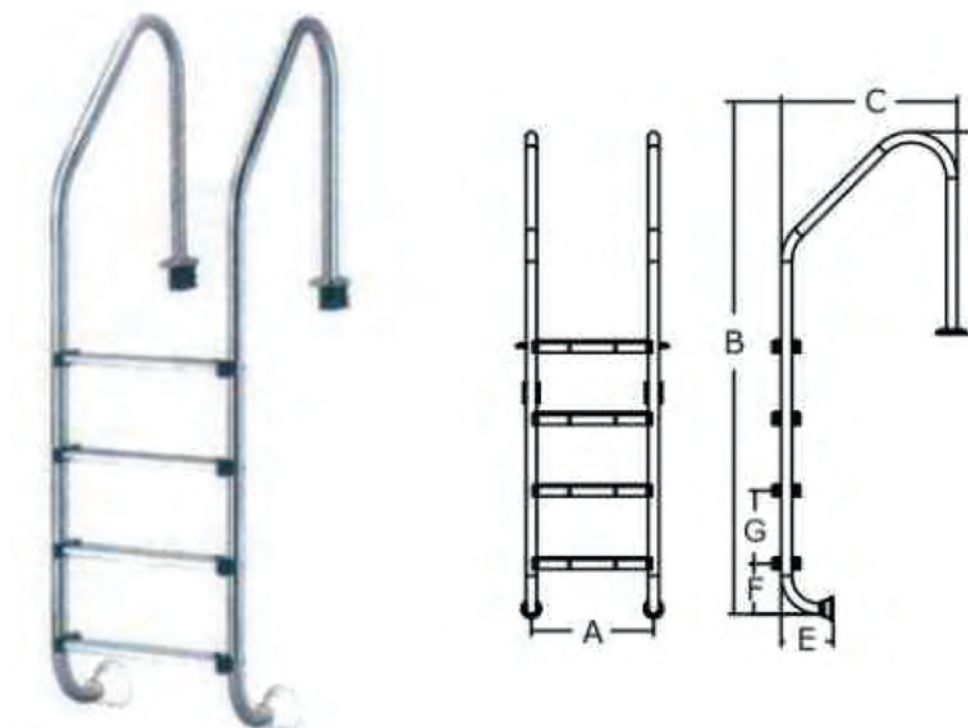


Ladder Series



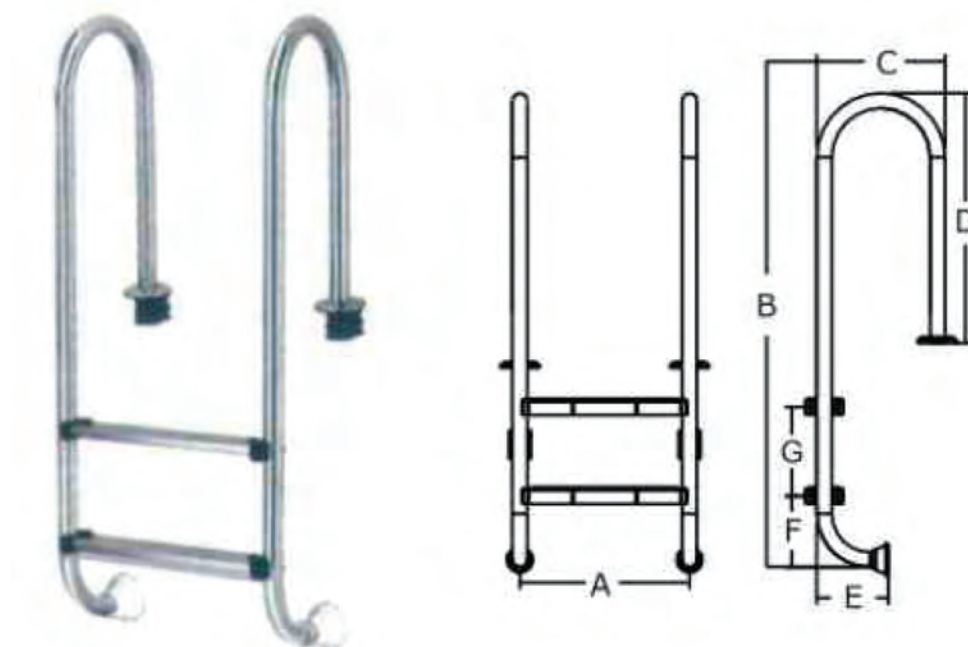
SF Ladder

Model	A mm	B mm	C mm	D mm	E mm	F mm	G mm
SF-215	502	1330	650	640	180	200	250
SF-315	502	1580	650	640	180	200	250
SF-415	502	1830	650	640	180	200	250
SF-515	502	2080	650	640	180	200	250



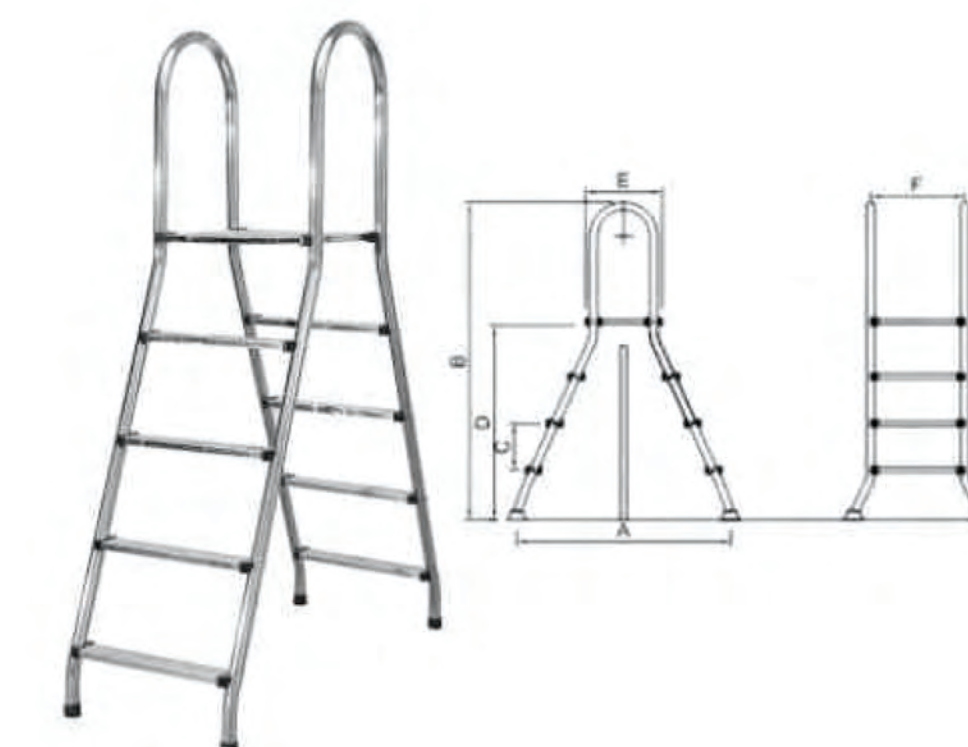
SL Ladder

Model	A mm	B mm	C mm	D mm	E mm	F mm	G mm
SL-215	502	1330	650	640	180	200	250
SL-315	502	1580	650	640	180	200	250
SL-415	502	1830	650	640	180	200	250
SL-515	502	2080	650	640	180	200	250



MU Ladder

Model	A mm	B mm	C mm	D mm	E mm	F mm	G mm
MU-215	502	1330	365	640	180	200	250
MU-315	502	1580	365	640	180	200	250
MU-415	502	1830	365	640	180	200	250
MU-515	502	2080	365	640	180	200	250



SP Ladder

SP ladders diameter 42mm polishing stainless steel ladders, stainless steel tread. Perfect curve designs. The surface is antislippery. No minor faults with sharp side cape.

Item No.	Step	A mm	B mm	C mm	D mm	E mm	F mm
SP2+2	2+2	1150	1380	250	730	420	500
SP3+3	3+3	1150	1580	250	930	420	500
SP4+4	4+4	1360	1880	250	1230	420	500
SP4+4	4+4	1360	1900	250	1350	420	500
SP5+5	5+5	1700	2120	250	1530	420	500



Stainless Steel Step



Stainless Steel Step With Anti Slip



Anchor Type



Flange Type

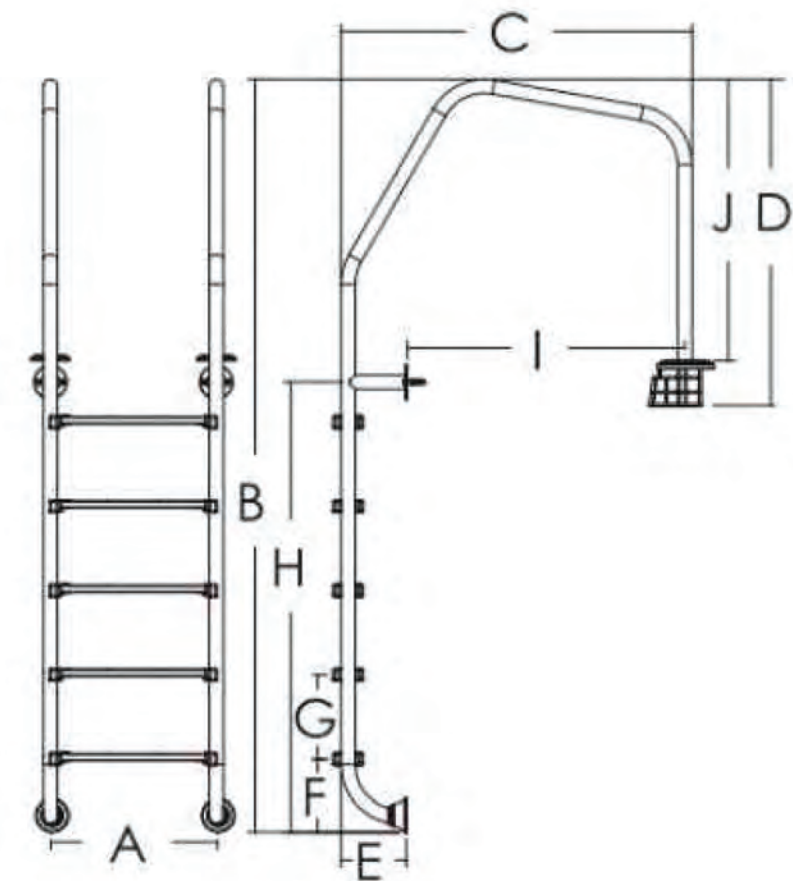
Ladder Series



LF Ladder

Model	A mm	B mm	C mm	D mm	E mm	F mm	G mm	H mm	I mm	J mm
LF 215	493	1460	1042	830	190	200	250	561	831	750
LF 315	493	1710	1042	830	190	200	250	811	831	750
LF 415	493	1960	1042	830	190	200	250	1061	831	750
LF 515	493	2210	1042	830	190	200	250	1311	831	750

With polished stainless steel pipe(Φ42mm), this ladder is specially designed for overflow pool with attractive appearance. Easily installed with anchoring or flange fixtures.



Anchor Type



Stainless Steel Step



Ancillary Shoring

Handrail Component

The following components are for the installation of grad rails around the edge of the pool.



Straight Handrails

Polished Stainless Steel AISI 304 or AISI 316. Handrail length in 1m.

Model: With AISI-304 With AISI-316



Curved Connector

Polished Stainless Steel AISI 304 or AISI 316. For joining Φ 42mm pipe.

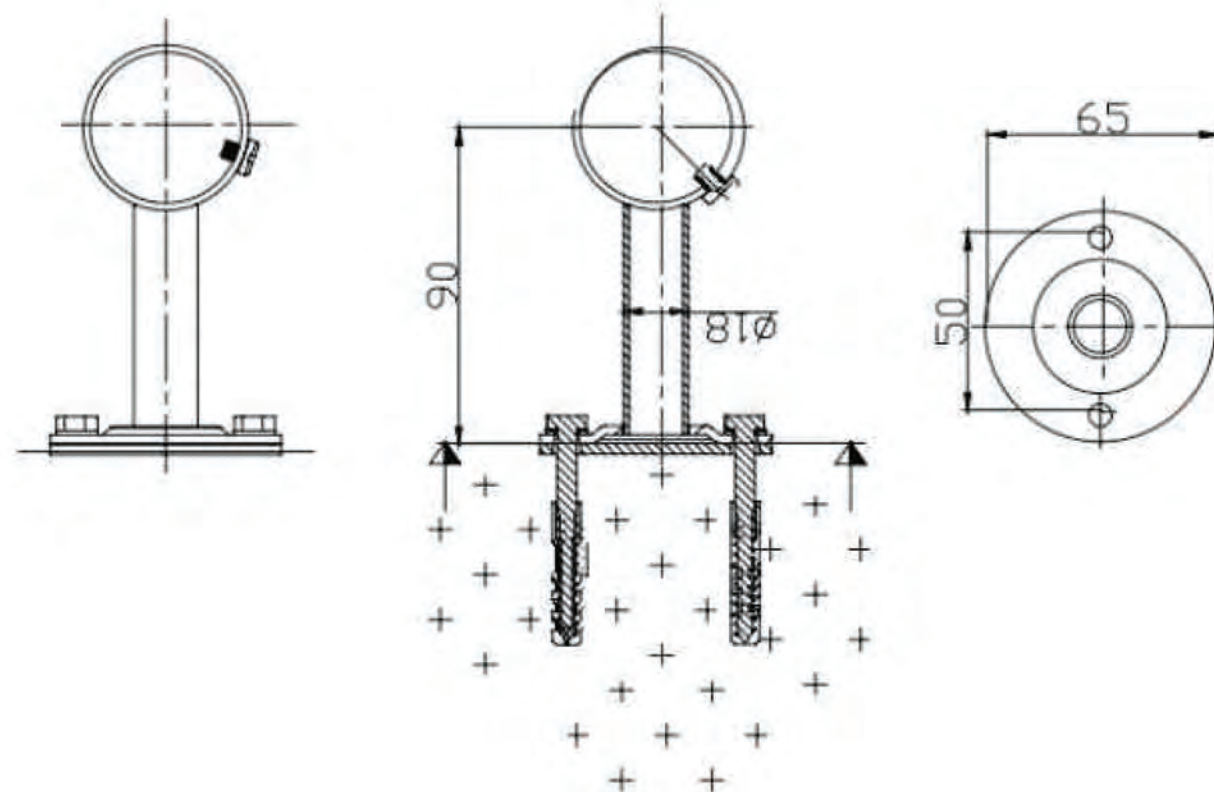
Model: With AISI-304 With AISI-316



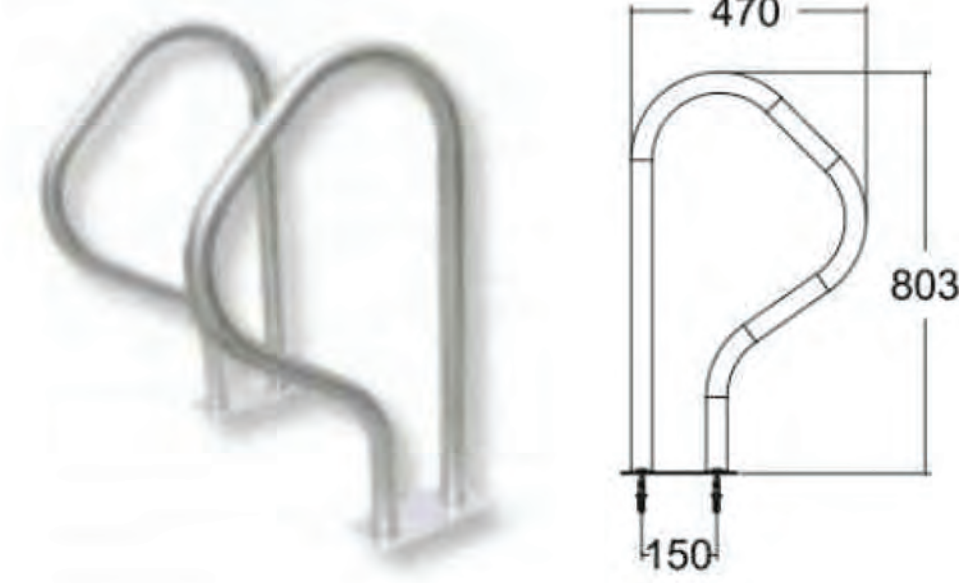
End Cap

Polished Stainless Steel AISI 304 or AISI 316. For the end of Φ 42mm pipe.

Model: With AISI-304 With AISI-316



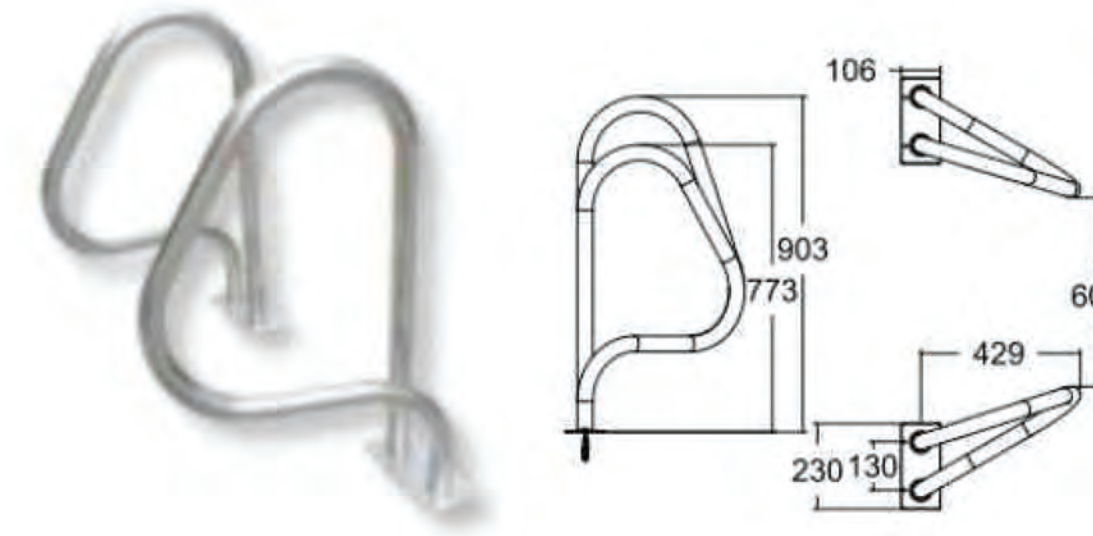
Ladder Series



ARB Series

Polished AISI 304 or AISI 316 Stainless Steel(Φ42mm) pipe. Both anchor and flange installations are available.

Model	Description
ARB-F	304 Exit Handrail
ARB-F	316 Exit Handrail



ARC Series

Polished AISI 304 or AISI 316 Stainless Steel(Φ42mm) pipe. Both anchor and flange installations are available.

Model	Description
ARC-F	304 Exit Handrail
ARC-F	316 Exit Handrail

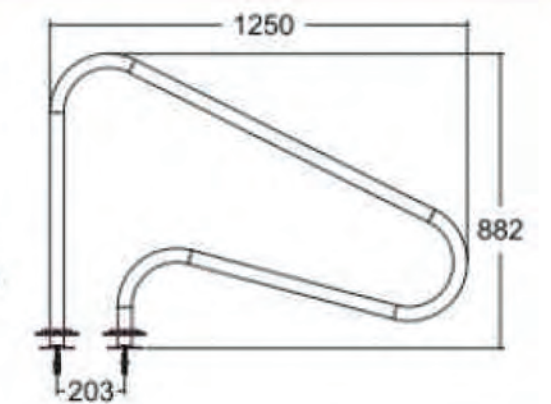


Anchor Type ARG

Flange Type ARG-F

ARG Series

Polished AISI 304 or AISI 316 Stainless Steel(Φ42mm) pipe. Both anchor and flange installations are available.



Model	Model	Description
ARG	ARG-F	304 Exit Handrail
ARG	ARG-F	316 Exit Handrail

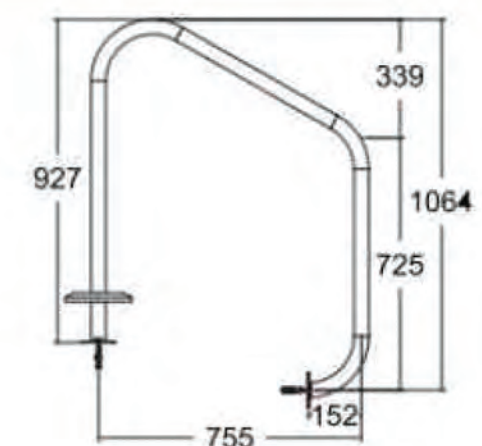
ARS Series



Anchor Type ARS

Flange Type ARS-F

Polished AISI 304 or AISI 316 Stainless Steel(Φ42mm) pipe. Both anchor and flange installations are available.



Model	Model	Description
ARS	ARS-F	304 Exit Handrail
ARS	ARS-F	316 Exit Handrail

CLEANING EQUIPMENT



Cleaning Equipment



3002 Super Edition
Cable length 30 meters;
cycle time: 4/6/8 hours;



Dolphin 3002# Cleaner robot
Cable length 30m, remote control,
Programmable, climb wall



Dolphin 2x2# Cleaner robot
Cable length 45m, remote control,
Programmable, climb wall,
best choice for Olympic pool



HJ-2042L
Automatic pool cleaner



PAC-08
Automatic pool cleaner
CaRequires a pump of minimum 0.75HP/550W
(or minimum flow of 6.5m3/hr/1700gal/hr)



VTP-51
Manual pool cleaner



VTP-050
SS cleaning car



VTP-336
SS vacuum head
1000x350mm

Cleaning Equipment



PVH-01
Triangular Liner Vac Head w Swivel Cuff



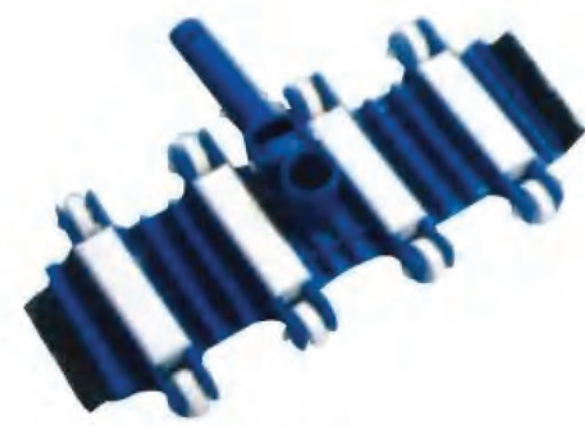
PVH-06
Deluxe triangular transparent cast iron weighted vac head



PVH-07
Vac Head w/Side Brushes



PVH-03
Vac Head w/Side Brushes



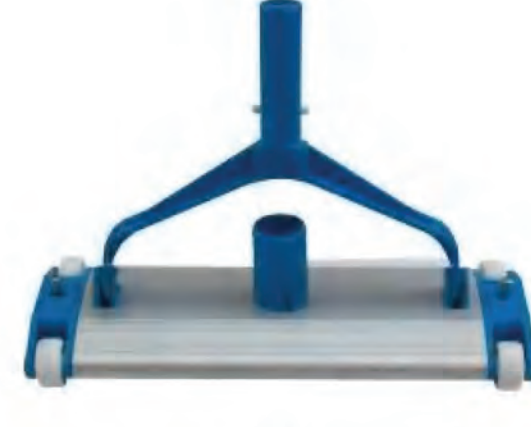
PVH-09
Flexible Vac Head w Swivel Brush For IG Pool



PVH-08
Flexible Vac Head For In-ground Pool



PV-05
14-19" Vacuum head



PV-03
14-19" Vacuum head



PVH-17
Deluxe Vacuum Brush w/Easy Button



PVH-18
Deluxe Vacuum Head w Transparent Cover & Easy Button



PVH-16
Deluxe Pentagonal Vacuum Head w/Easy Button 19"



PVH-19
14-19" Aluminium Folding Vacuum Head w/4 Folding Panels



PLS-02
Professional Aluminium Leaf Skimmer



PLS-1001
Deluxe Leaf Skimmer w/Easy Button



PDRS-1001
Deluxe Deep Rake w/Easy Button



PDRS-05
Professional Heavy Duty Deep Rake w/Alu Frame



PDRS-10
Professional Deluxe Deep Rake w/Squeegee Strip and Replaceable Net



PLS-01
Standard leaf Skimmer(Blue)



PDRS-04
Economy deep bag rake



PDRS-01
Heavy duty plastic leaf rake with long wearing screen mesh



PLS-03
Heavy duty plastic leaf Skimmer(Blue)



PLSH-02
Leaf Skimmer with 48"/122cm Aluminium Pole

Cleaning Equipment



PB-04
Oversized Polybristle Wall Brush w/EZ-clip



PB-11
18"/45cm Metal Back wall Brush



PB-08
18"/45cm Stainless Steel Algae Brush



PB-02
18"/45cm Standard Curved Wall Brush



PB-03
Flexible Brush w/ Alu Handle & Extra Bristles



PB-05
10"/26cm Polybristle Wall Brush



PB-06
10"/26cm Stainless Steel Algae Brush



PB-07
10"/26cm Polybristle Wall Brush w/alu Handle and EZ-Clip



PD-01
Deluxe Large Chemical Dispenser for 3" Tablets 9"



PT-13
Large Scale Floating Dial Thermometer



PT-05
Deluxe Round Thermometer w/String



PT-08
Jim Buoy Thermometer w/String



PT-11
Floating Animal Thermometer in 4 styles



Electronic Tester



PTK-02
PH.OTO



PTK-01
Basic pH & Cl Test Kit(20cc)



PTK-05
5-Way Test Kit (PH/Cl/Alkalinity/ Acid Demand/Bromine)



VTP-360
Telescopic Pole 3m/5m/7m/8m/9m



VTP-361
Life Saving Hook



PHR-01
Hose Reel Without Hose



VTP-362
Vacuum Hose 9/12/15/30m

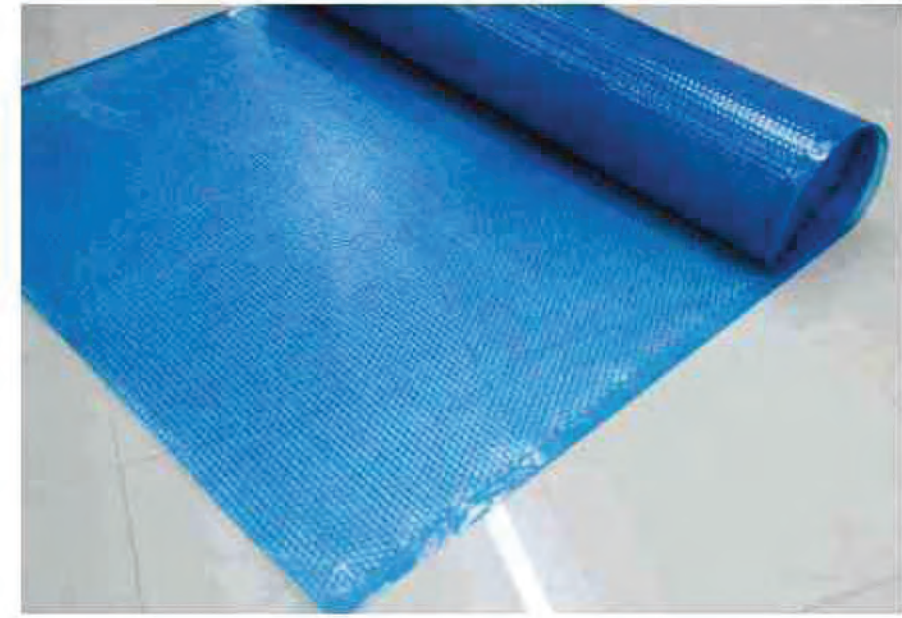


VTP-363
Vacuum Hose 9/12/15/30m

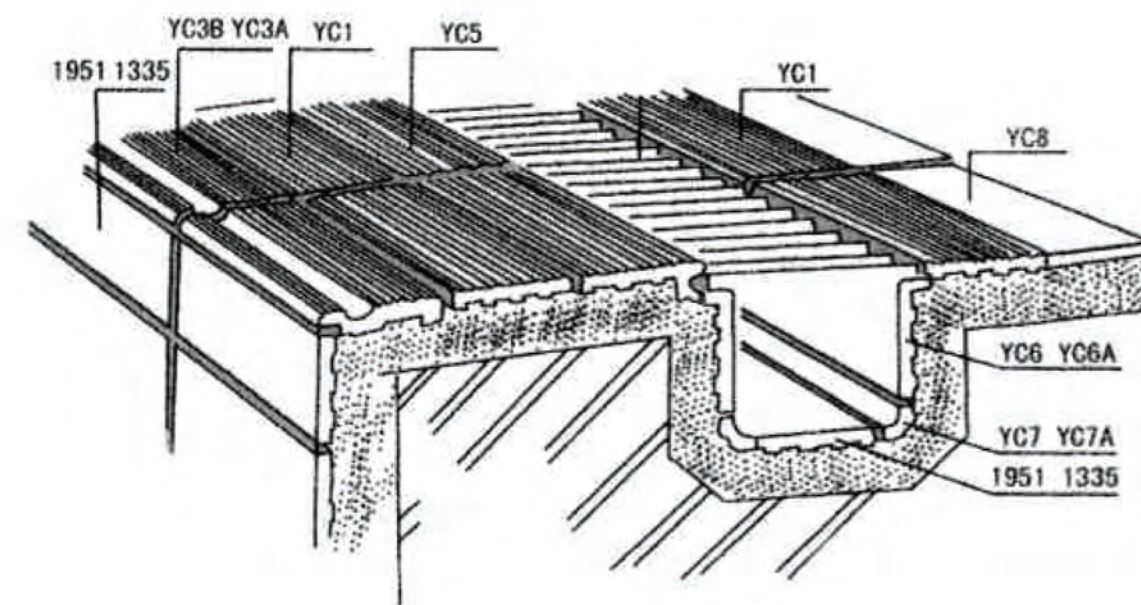
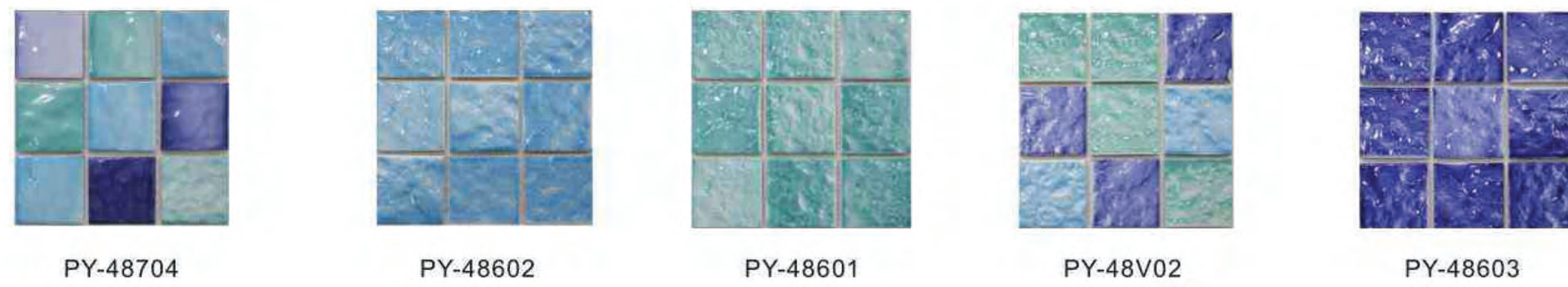
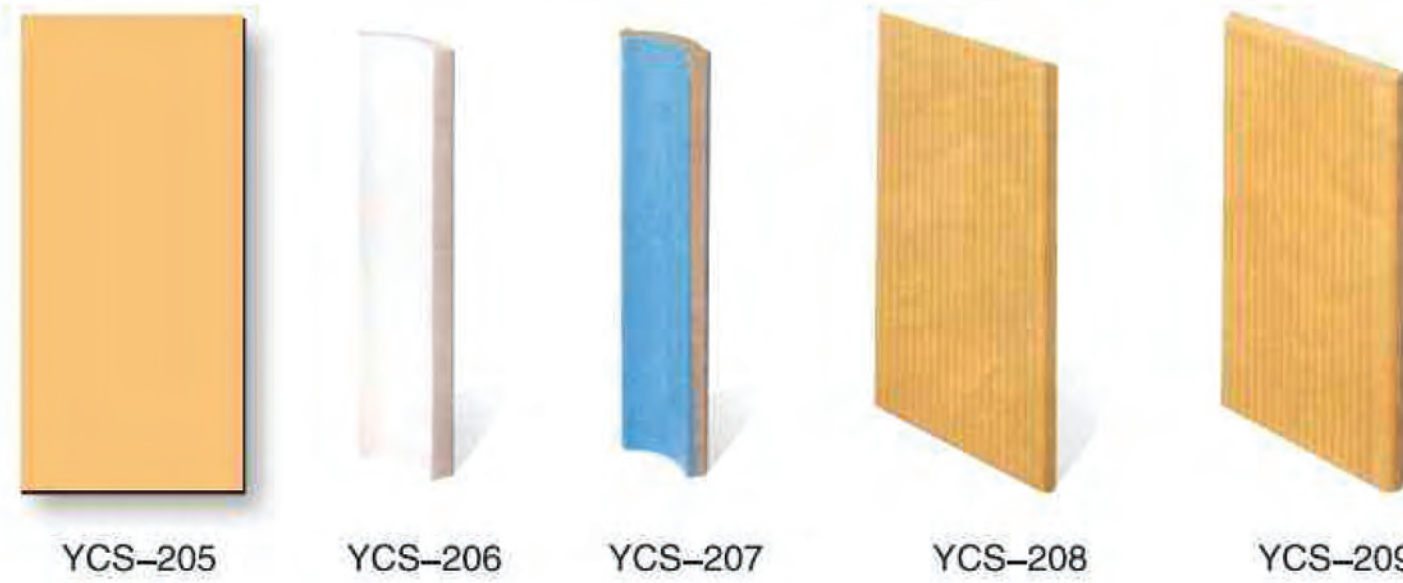
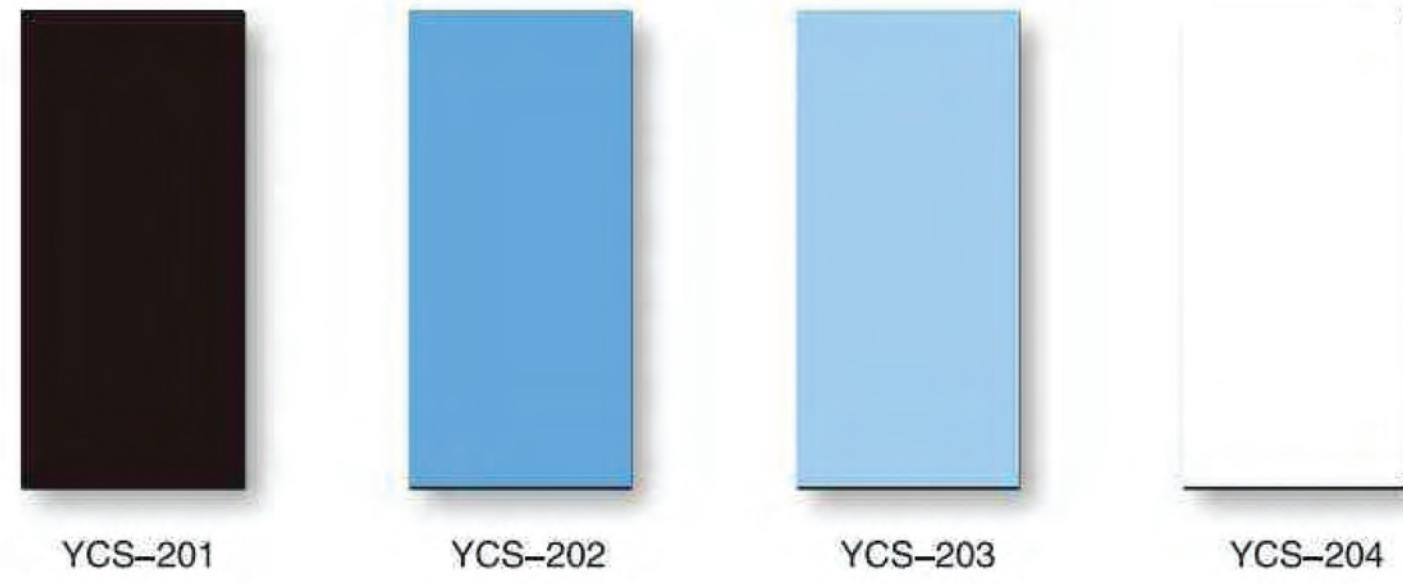


VTP-364
Vacuum Hose 2"10m

Pool Cover

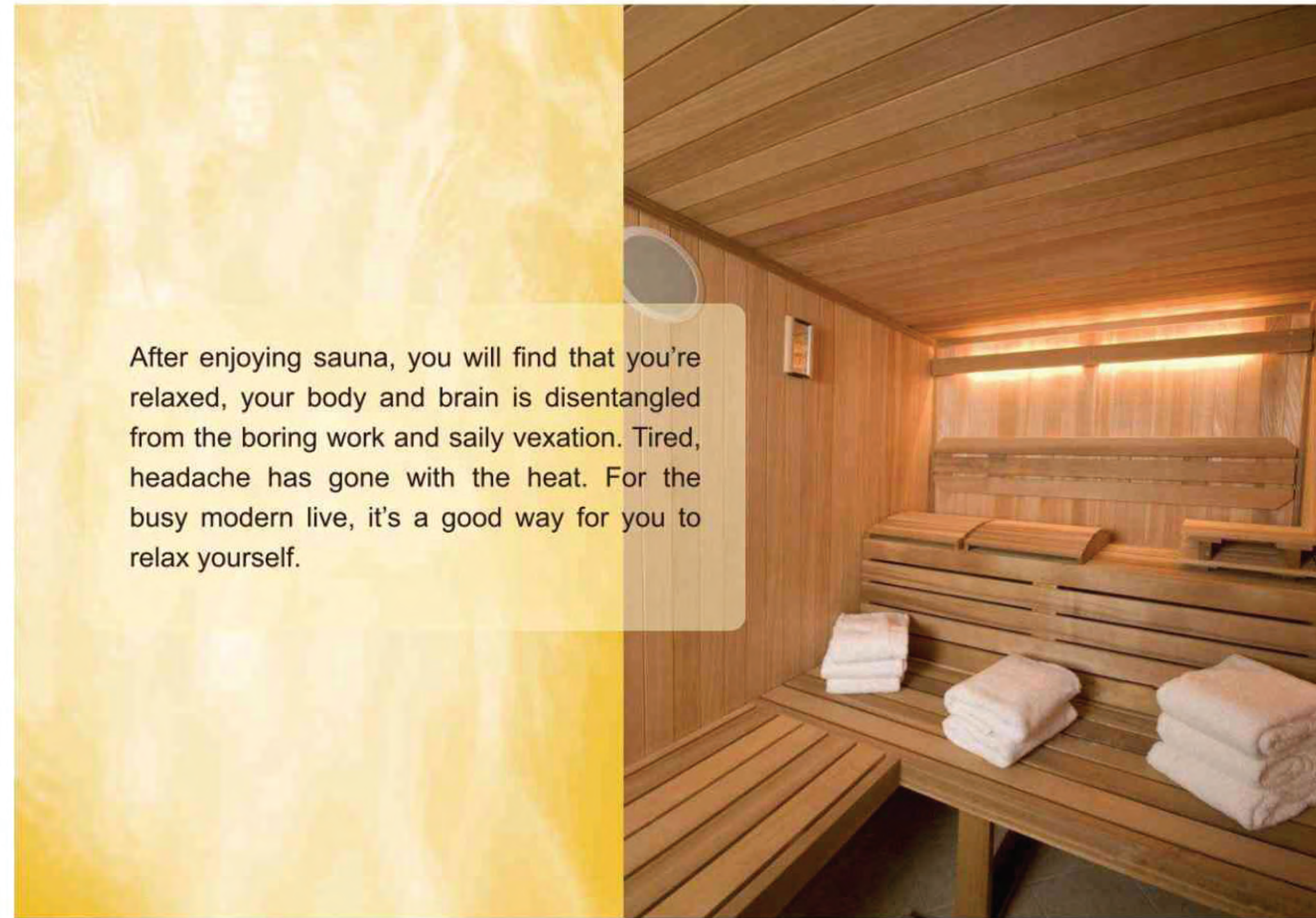


Ceramics

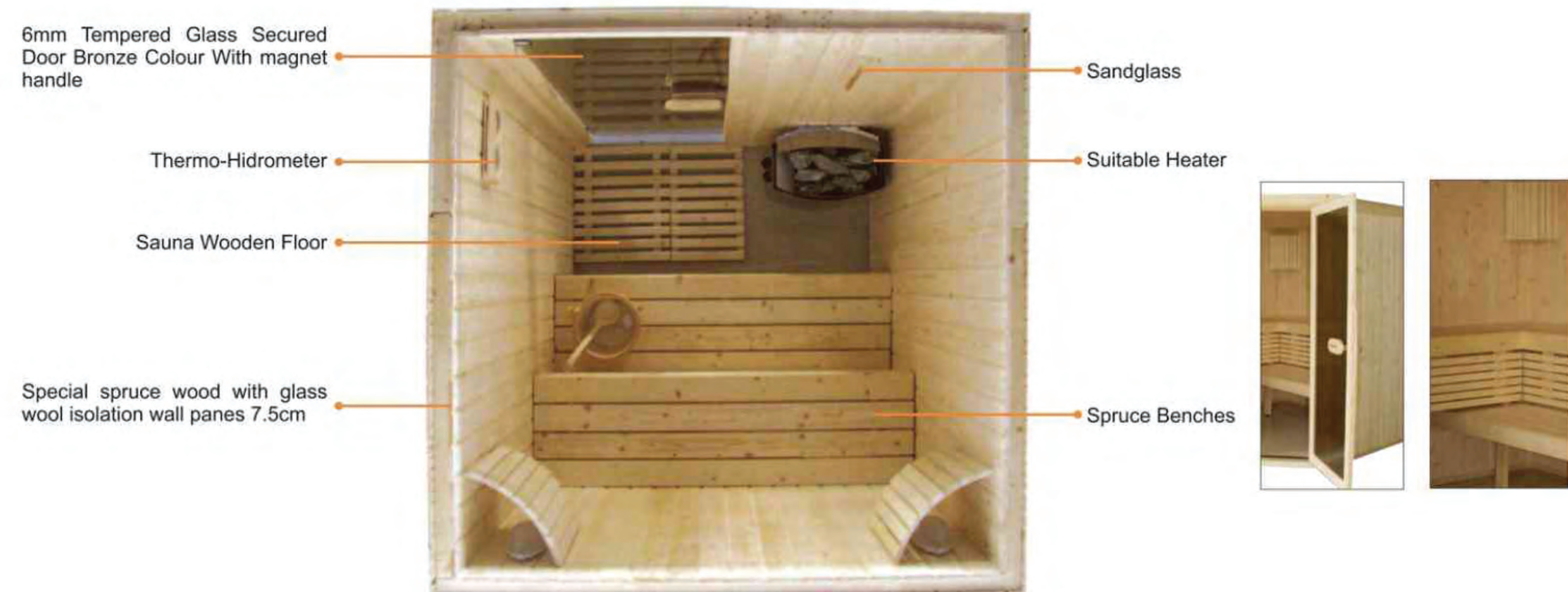


SAUNA SERIES





After enjoying sauna, you will find that you're relaxed, your body and brain is disentangled from the boring work and saily vexation. Tired, headache has gone with the heat. For the busy modern live, it's a good way for you to relax yourself.



Material: Finland spruce, Aberbach, hemlock, canadian cedar, burmese cedar, hemlock.
Size: according to customer asking.



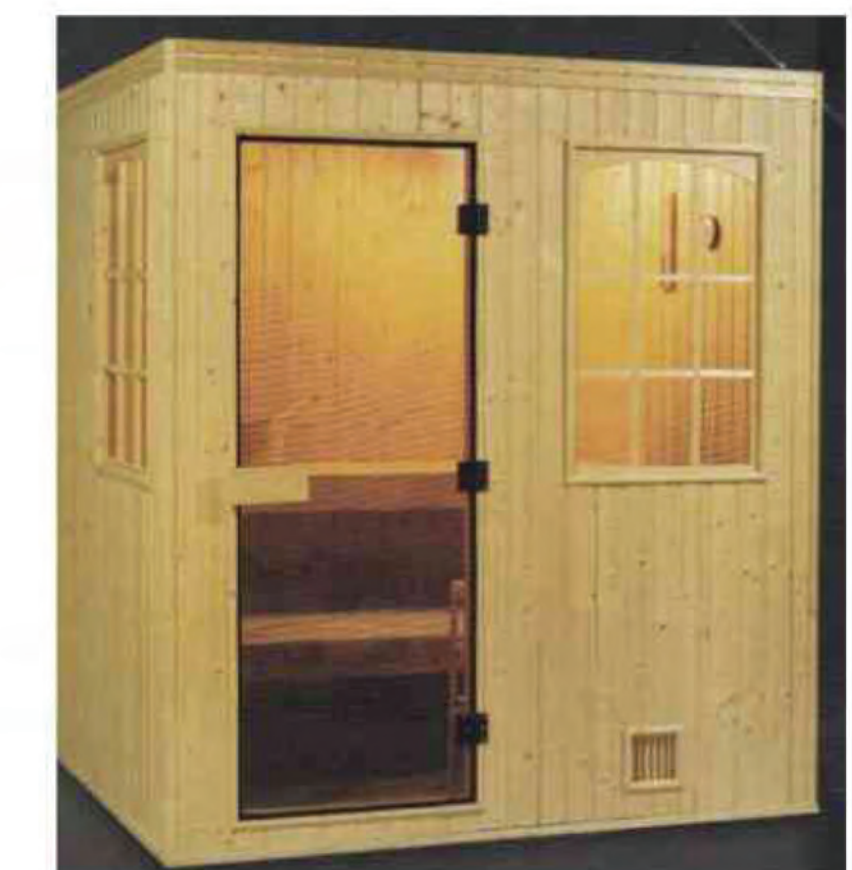
M-2020
2000x2000x2100mm



D-1815
1800X1500X2100mm



K-2015
2000X1500X2100mm



E-2018
2000X1800X2100mm



A-1212
1200X1200X2100mm



H-3025
3000X2500X2100mm

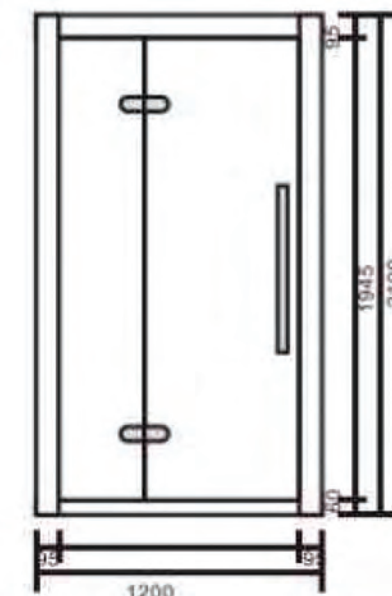
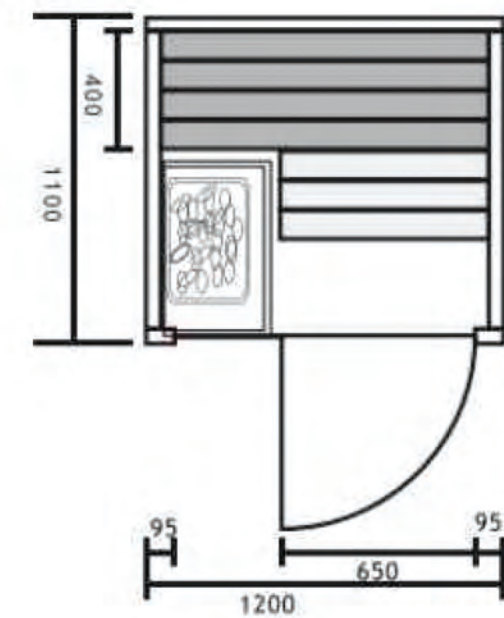


Sauna Series

KP-01



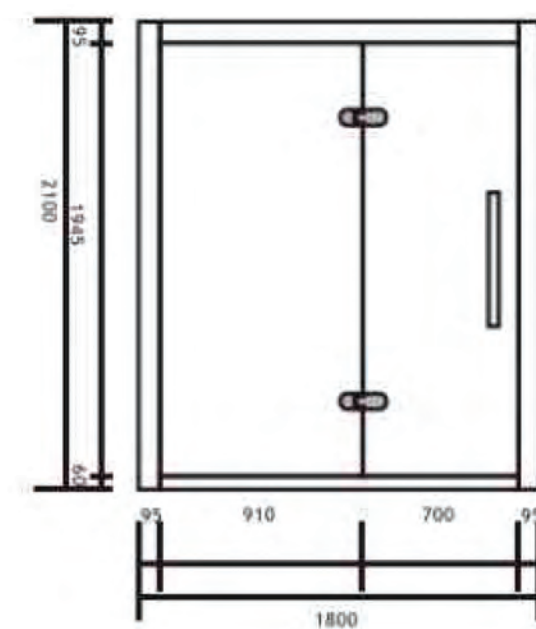
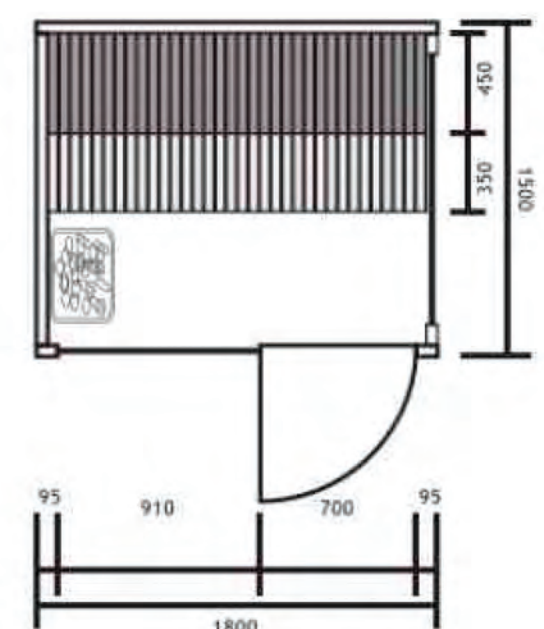
1100x1200x2100mm



KP-02



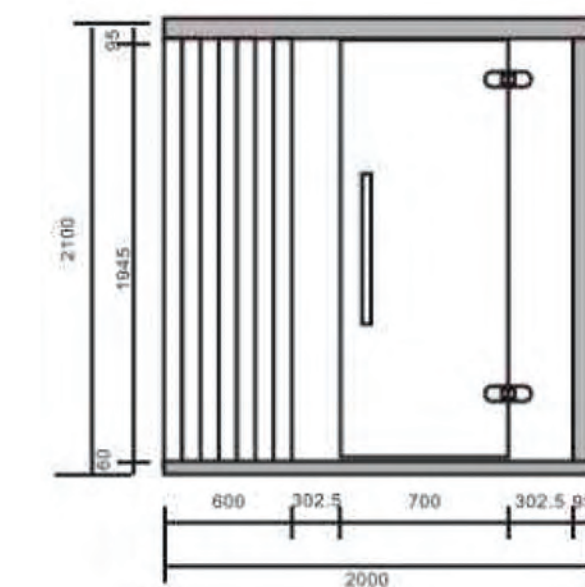
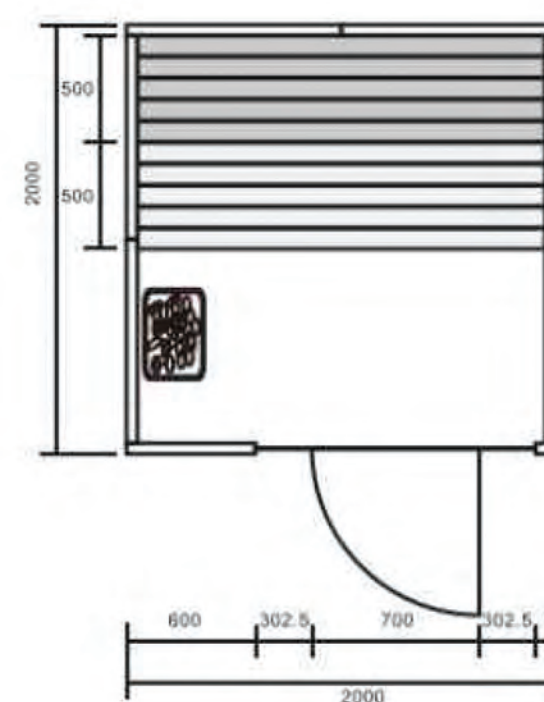
1500x1800x2100mm



KP-03



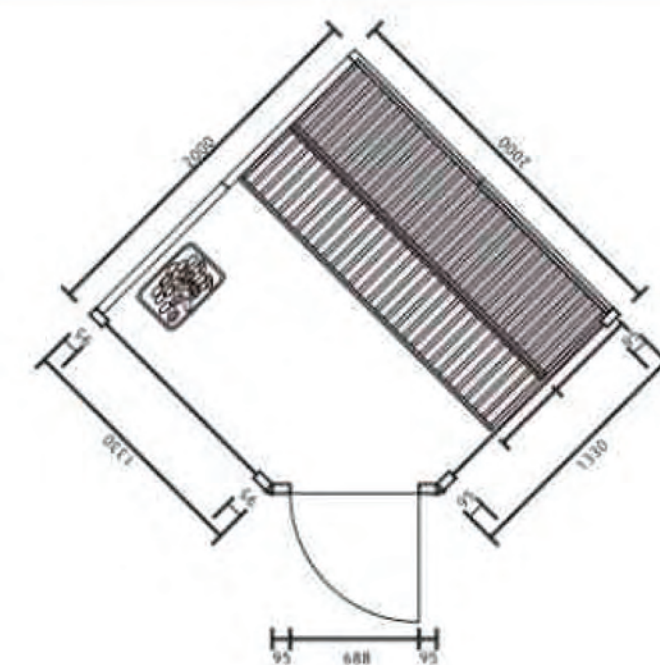
2000x2000x2100mm



KP-04



2000x2000x2100mm



Sauna Series



KV-AC100
900*900*1900



KV-AC200
1200*1000*1900



KV-AC320
KD Series
1300*1200*2000



KV-AC300
1500*1000*1900



KV-AC400
1800*1200*1900



KV-AC500
1200X1300X2000mm





A - Farin Frared sweat stream room series

Model:	KN-001A	KN-002A	KN-003A	KN-004A
Size:	90*95*190cm	120*105*190cm	150*115*190cm	180*125*190cm
Voltage:	110v/220v	110v/220v	110v/220v	110v/220v
Power:	1400w	1700w	2100w	2600w
Material:	Spruce wood Cedar wood			



B - Farin Frared sweat stream room series

Model:	KN-001B	KN-002B	KN-003B	KN-004B
Size:	90*95*190cm	120*105*190cm	150*115*190cm	180*125*190cm
Voltage:	110v/220v	110v/220v	110v/220v	110v/220v
Power:	1400w	1700w	2100w	2600w
Material:	Spruce wood Cedar wood			



C - Farin Frared sweat stream room series

Model:	KN-001C	KN-002C	KN-003C	KN-004C
Size:	90*95*190cm	120*105*190cm	150*115*190cm	180*125*190cm
Voltage:	110v/220v	110v/220v	110v/220v	110v/220v
Power:	1400w	1700w	2100w	2600w
Material:	Cedar wood			



H - Farin Frared sweat stream room series

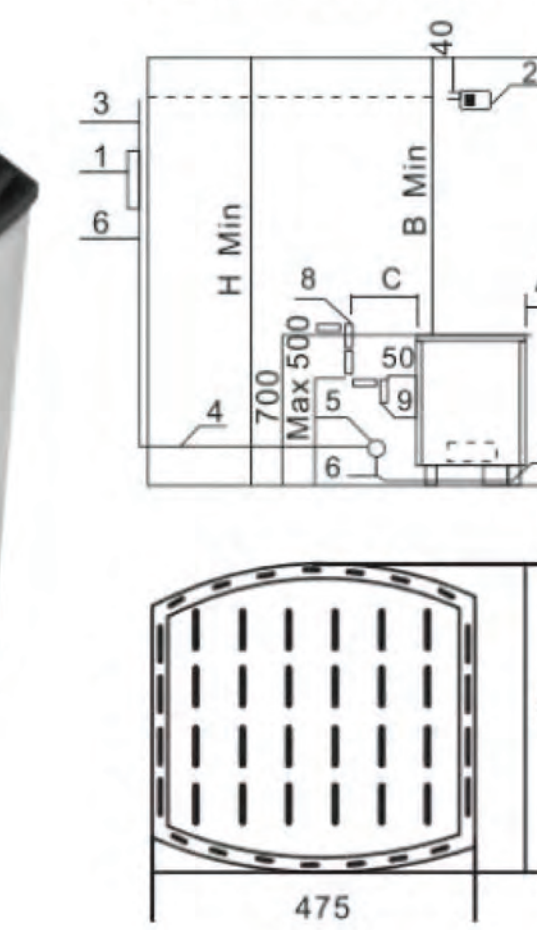
Model:	KN-001H	KN-002H	KN-003H	KN-004H
Size:	90*95*190cm	120*105*190cm	150*115*190cm	180*125*190cm
Voltage:	110v/220v	110v/220v	110v/220v	110v/220v
Power:	1400w	1700w	2100w	2600w
Material:	Cedar wood			



H



Installation dimension



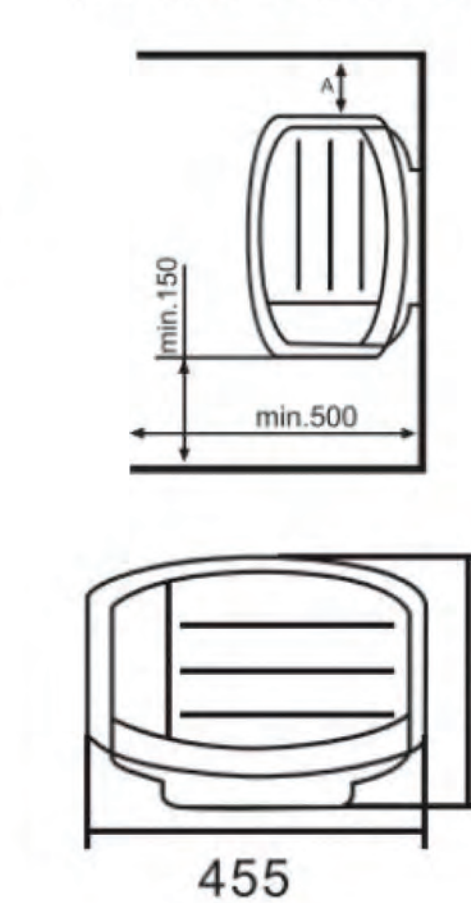
MODEL	Power (KW)	Sauna room			Min.Distance to heater		
		Min.Capacity	Max.Capacity	Height	Min.A from side wall to back wall	Min.Suspension ceiling	Min.B for guard bar and upper stool
H-105	10.5	9	15	190	12	120	15
H-135	13.5	11	20	210	16	140	20
H-165	16.5	16	25	210	16	140	20

Technical Characteristics

Model	Power	Applicable space (M ²)
H-105	10.5KW	9-15
H-135	13.5KW	10-18
H-165	16.5KW	14-24



Installation dimension



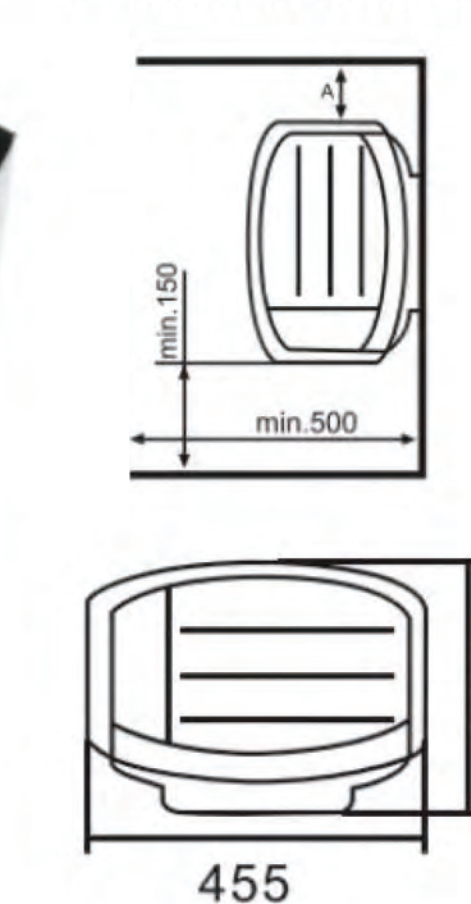
Distance	Sauna Heater	4.5KW	6KW	8KW	9KW
A (mm)		35	50	100	120
B (mm)		20	30	30	40
C (mm)		35	50	80	100

Technical Characteristics

Model	Power	Applicable space (M ²)
H-45B	4.5KW	3-6
H-60B	6.0KW	5-9
H-80B	8.0KW	8-12
H-90B	9.0KW	9-13



Installation dimension



Distance	Sauna Heater	4.5KW	6KW	8KW	9KW
A (mm)		35	50	100	120
B (mm)		20	30	30	40
C (mm)		35	50	80	100

Technical Characteristics

Model	Power	Applicable space (M ²)
H-45BS	4.5KW	3-6
H-60BS	6.0KW	5-9
H-80BS	8.0KW	8-12
H-90BS	9.0KW	9-13

Accessories



SCA-1000W



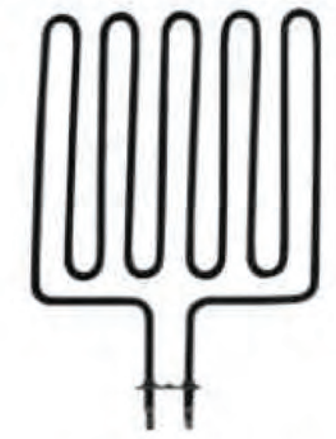
SCA-1500W



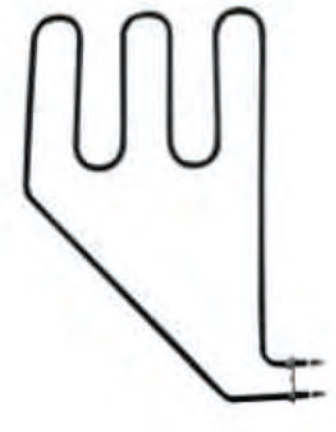
SCA-2000W



SCA-2670W



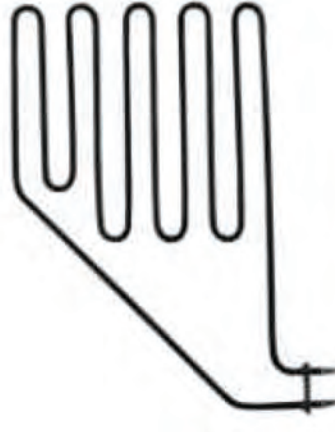
SCA-3000W



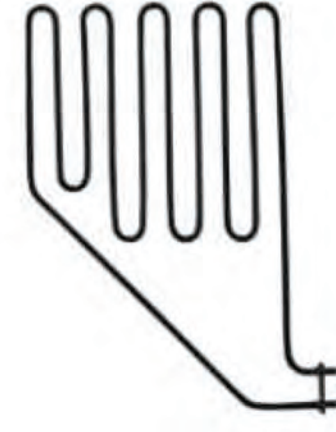
SAV-1500W



SAV-2000W



SAV-2500W



SAV-3000W



SAA-2000W



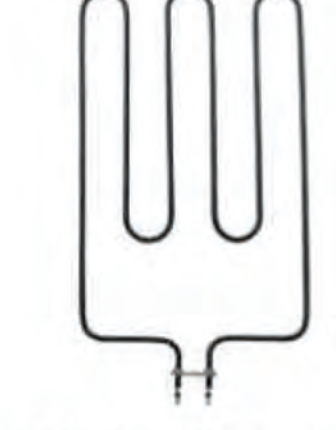
SAWO-2000W



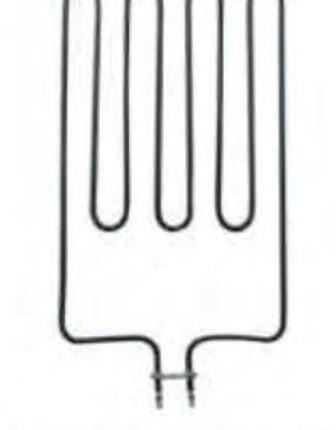
SAWO-2700W



SAWO-3000W



SAWO/SA-1500W



SAWO/SA-2000W



XN-01 XN-02
3-9KW 9-15KW
Outside control panel



SX-01 SX-02
3-9KW 9-15KW
Outside digital control panel



X-01
External control adapter



VK-01 VK-02
3-9KW 12-15KW
Control panel



GS-A2016
Sauna controller circuit



GS-A2018
Sensor unit



GS-A2019
Timer



GS-A2020
Contactor



GS-A2017
Thermostat

Accessories



KS-1115
Wooden drum and spoon



KS-1114
Wooden drum and spoon



KS-1112
Wooden drum and spoon



KS-1101
Wooden drum and spoon



KS-1102
Wooden drum and spoon



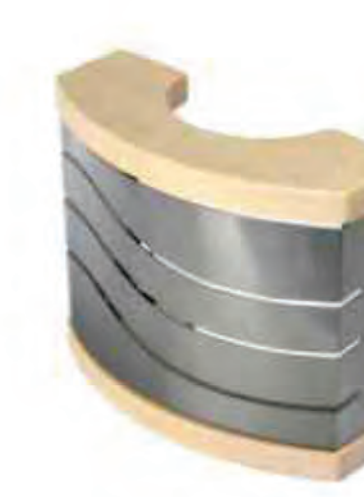
KS-2402
Lamp shade



KS-2403
Lamp shade



KS-2404
Lamp shade



KS-2405
Lamp shade



KS-2406
Lamp shade



KS-2407
Lamp shade



KS-2408
Lamp shade



KS-2409
Lamp shade



KS-2410
Lamp shade



K-021
Sauna wood lamp shade



K-022
Sauna wood lamp shade



KS-2015
Wooden temperature and moisture meter



KS-2016
Wooden temperature and moisture meter



KS-2017
Wooden temperature and moisture meter



KS-2018
Wooden temperature and moisture meter



KS-2019
Wooden temperature and moisture meter



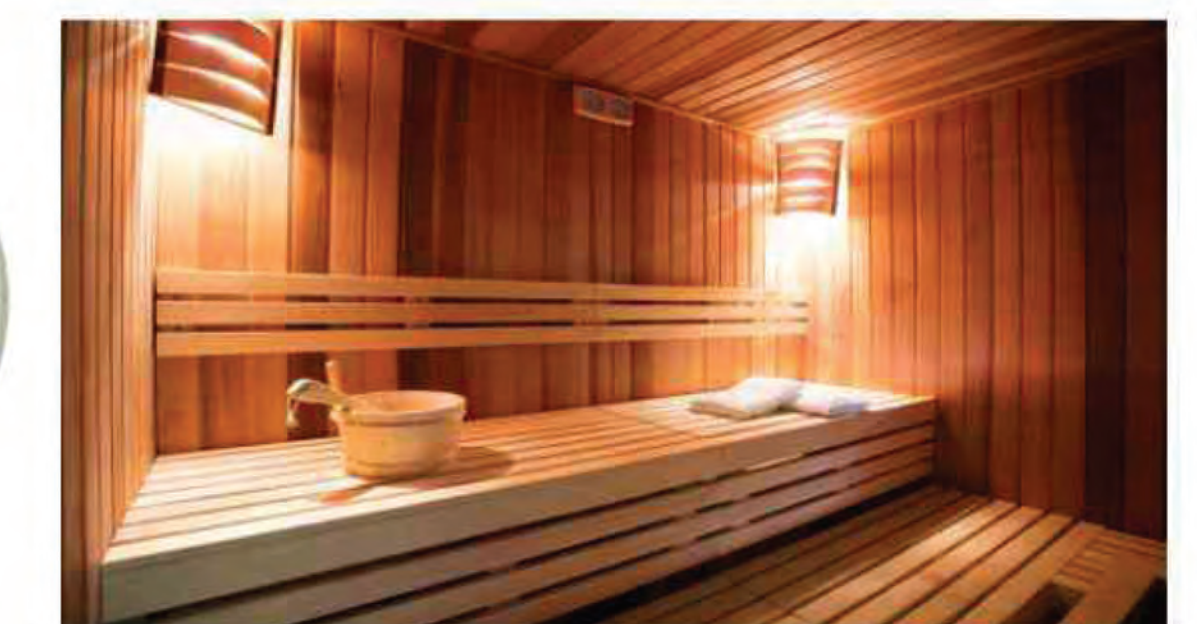
KS-2020
Wooden temperature and moisture meter



KS-2021
Wooden temperature and moisture meter



KS-2022
Wooden temperature and moisture meter



Sauna Accessories



KS-2001
Wooden temperature
moisture meter



KS-2003
Wooden temperature
moisture meter



KS-2004
Wooden temperature
moisture meter



KS-2005
Wooden temperature
moisture meter



KS-2006
Wooden temperature
moisture meter



KS-2002
Wooden temperature
moisture meter



KS-2010
Wooden temperature
moisture meter



KS-2008
Wooden temperature
moisture meter



KS-2012
Wooden temperature
moisture meter



KS-2014
Stainless steel
temperature moisture meter



K-018
Golden temperature
moisture meter



K-020
Wooden clock



KS-2506
Wooden clock



K-015
Wooden temperature
moisture meter



K-017
Wood-frame
temperature



K-033
Sauna room ventilation



KS-2502
Sauna room ventilation



KS-2503
Sauna room ventilation



KS-2504
Sauna room ventilation



KS-2505
Sauna room ventilation



K-035
Sand timer



KS-2507
Sand timer



KS-2508
Sand timer



KS-2511
Sand timer



KS-2510
Sand timer

Sauna Accessories



K-025
1860 x 780mm



K-026
Sauna door



K-027
2000 x 780mm



K-028
1860 x 780mm
2000 x 780mm



K-036
Cedar wood



K-037
Abachi wood



K-038
Hemlock wood



K-039
Spruce wood



KS-2501
Head rest



KS-2602
Sauna door handle



KS-2605
Sauna door handle



KS-2603
Sauna door handle



KS-2601
Sauna door handle



PG-2
SS connection pipe



SA-1
Sauna spray controller



SIR-1
Water jet sensor panel



SK-2
Water main switch



SP-1
Ss shower head



SF-1
Electric control valve



K-041
Sauna stone



K-042
Sauna stone



K-043
Door lock



K-045
Non-explosive light



K-046 H-604
Non-explosive light

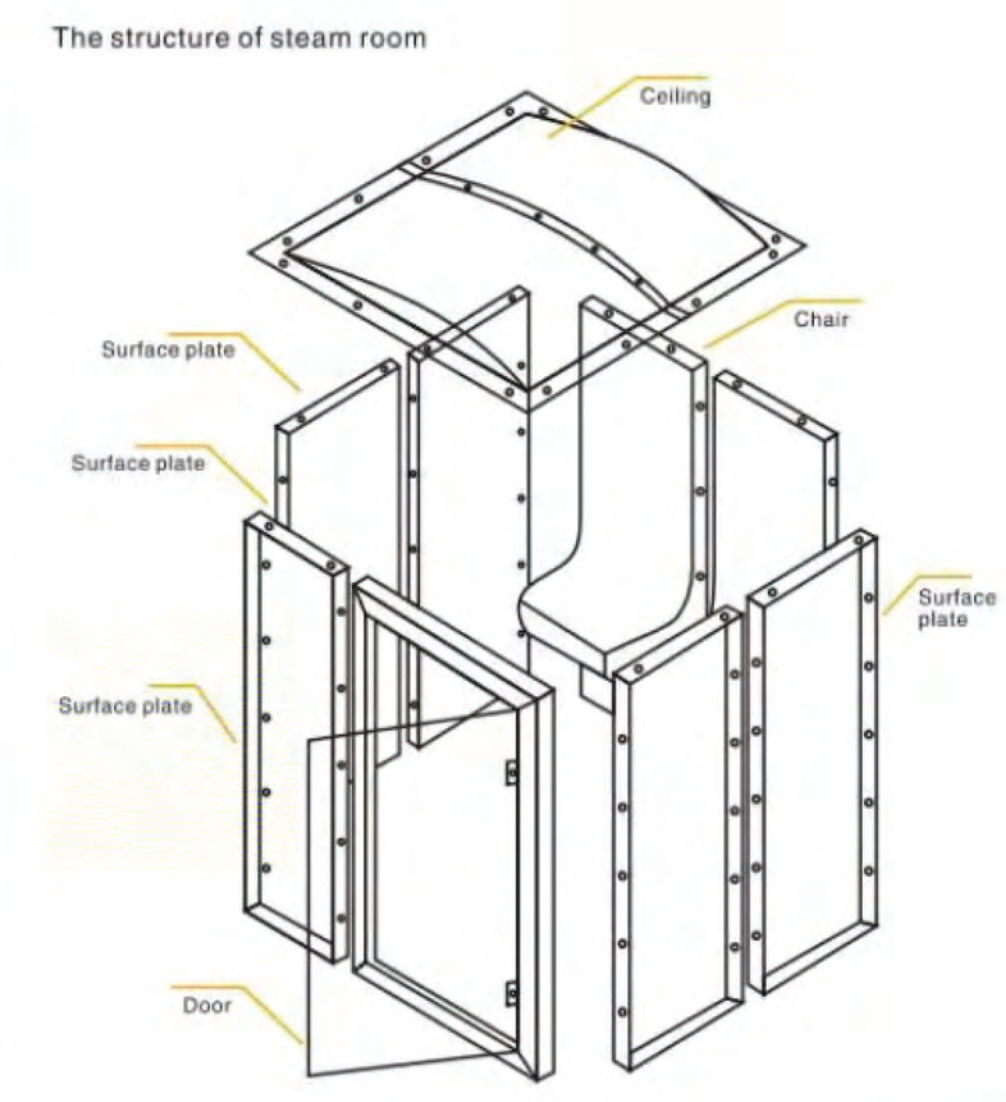
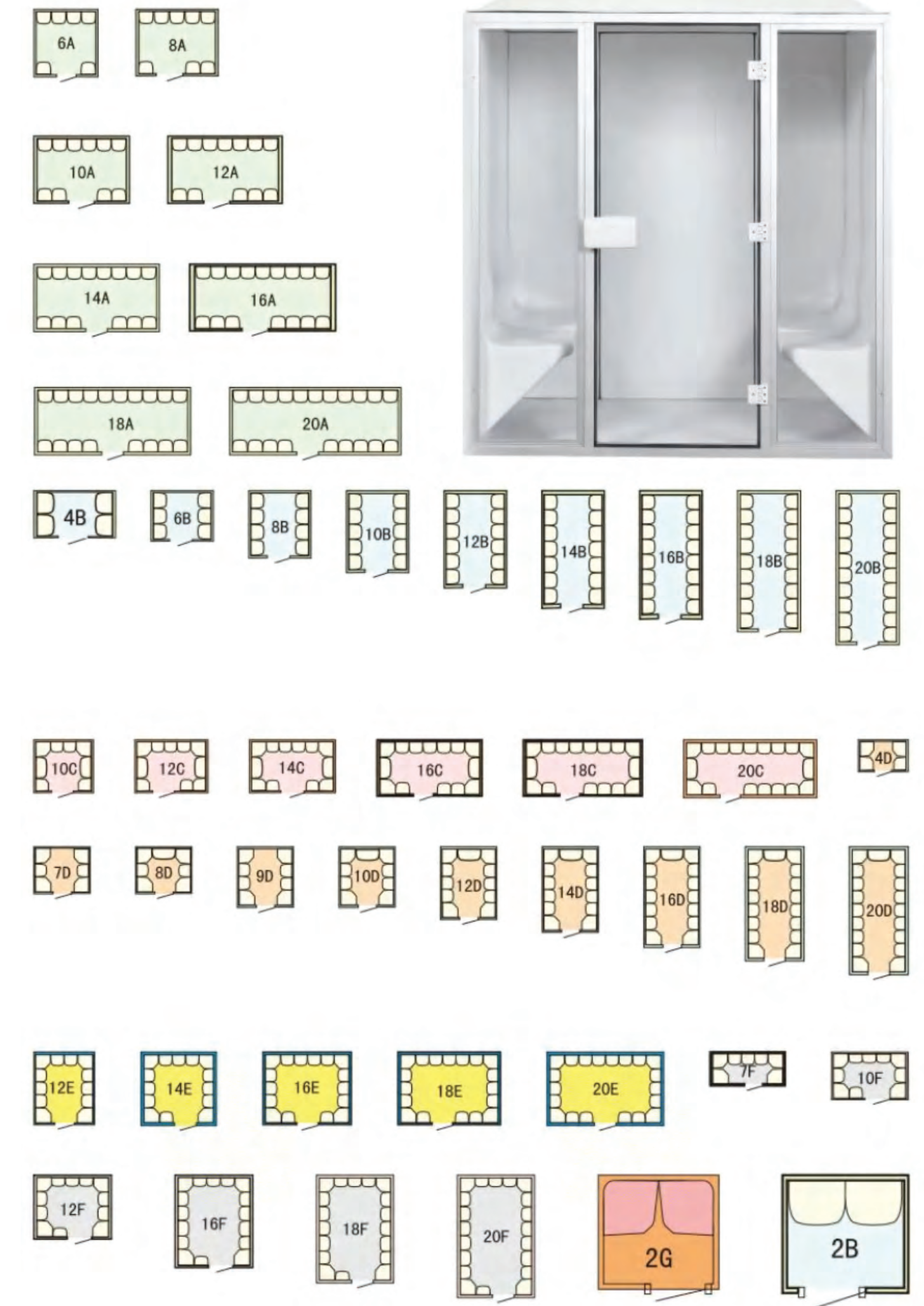
STEAM ROOM SERIES



Steam Room



STEAM ROOM	
Model	Size(mm)
6A	2460*1800*2150
8A	3050*1800*2150
10A	3640*1800*2150
12A	4230*1800*2150
14A	4280*1800*2150
16A	5410*1800*2150
2B	1260*1020*2150
4B	1800*1280*2150
6B	1800*1870*2150
8B	1800*2460*2150
10B	1800*3050*2150
12B	1800*3740*2150
14B	1800*4230*2150
16B	1800*4820*2150
10C	2500*2120*2250
12C	3080*2120*2250
14C	3660*2120*2250
16C	4240*2120*2250
18C	4900*2120*2250
20C	5480*2120*2250
4D	2120*1340*2250
6D	2120*1340*2250
7D	2120*1920*2250
8D	2120*1920*2250
10D	2120*2500*2250
12D	2120*3080*2250
14D	2120*3660*2250
2G	1270*1340*2250
12E	2500*3100*2200
16E	3700*3100*2200
18E	4300*3100*2200
20E	4900*3100*2200
8F	3100*1300*2200
10F	3100*1900*2200
12F	3100*2500*2200
14F	3100*3100*2200
16F	3100*3700*2200
18F	3100*4300*2200
20F	3100*4900*2200



NEW PRODUCT

STEAM ROOM

ENHANCE YOUR LIFESTYLE
EXPERIENCE PERFECT ENJOYMENT

KDL

Material: Tempered glass, Acrylic
304Stainless steel/ Aluminium alloy

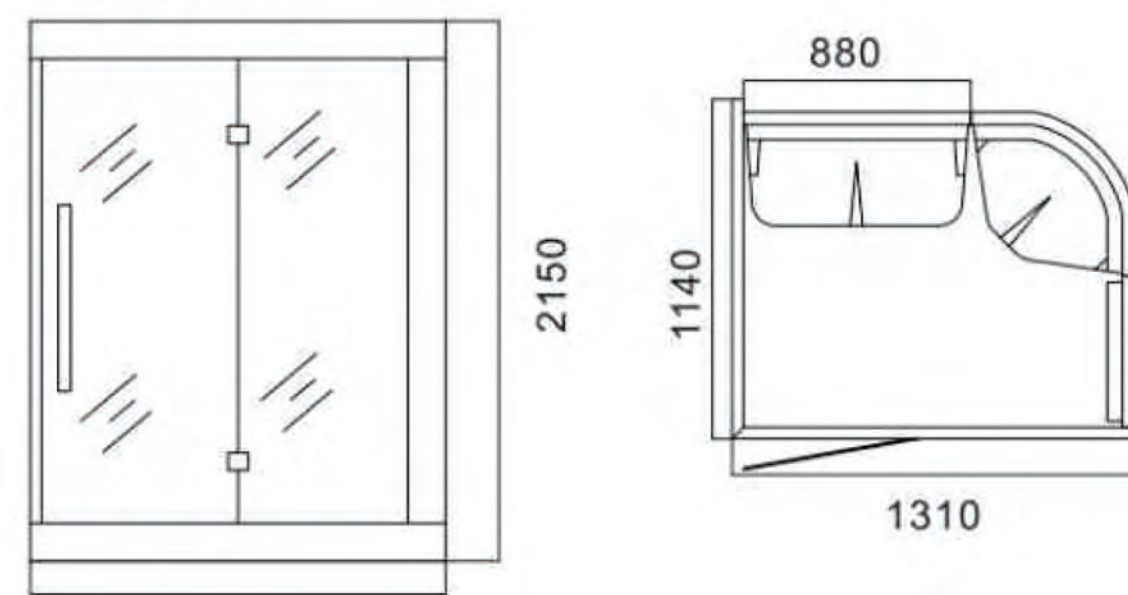
Control system: Smart control system

Function: Intelligent touch screen
wireless control panel, FM radio CD
player, MP3, Temperature/Time
adjusting with top light, 3kw
steam generator, Lock function,
Moveable thermotherapy shower tap

- Others:
1. Frame Color (Black, Grey)
 2. Plate Material option:
Imported Acrylic, Chinese Acrylic
 3. Steam generator option:
Imported steam generator
 4. Installation accessories.



Product Structure:



KDL-02A
Product Size: 1310x1140x2150mm

Material: Tempered glass, Acrylic
304Stainless steel/ Aluminium alloy

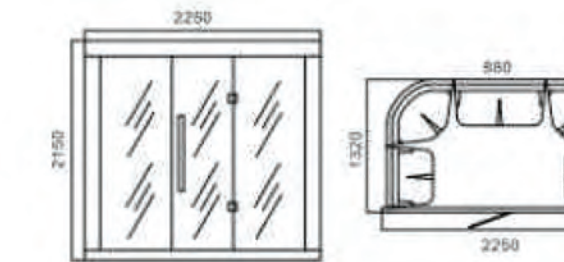
Control system: Smart control system

Function: Temperature/Time adjusting,
top light, 4.5-18KW steam generator



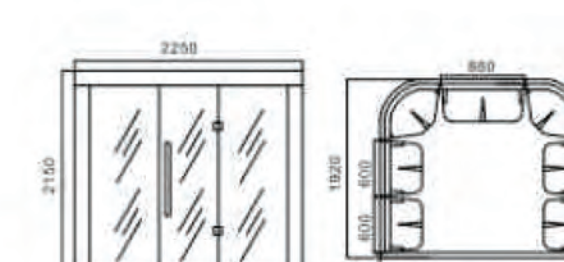
- Others:
1. Frame Color (Black, Grey)
 2. Plate Material option:
Imported Acrylic, Chinese Acrylic
 3. Steam generator option:
Imported steam generator
 4. Installation accessories.

Product Structure:



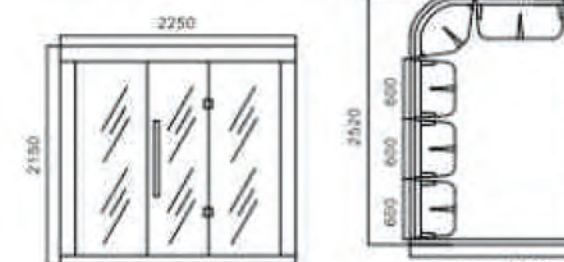
KDL-06B
Product Size: 2250x1320x2150mm

Product Structure:



KDL-08B
Product Size: 2250x1920x2150mm

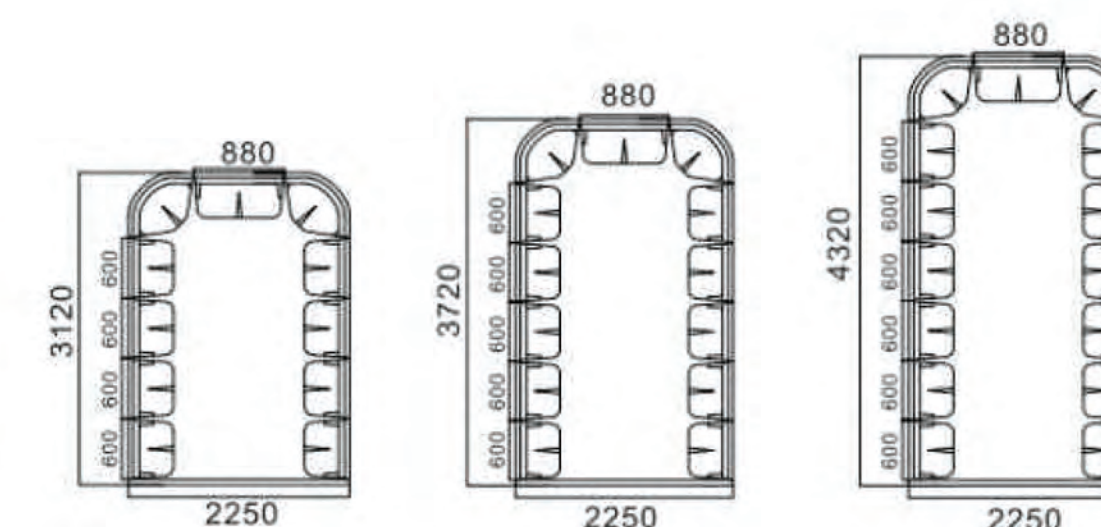
Product Structure:



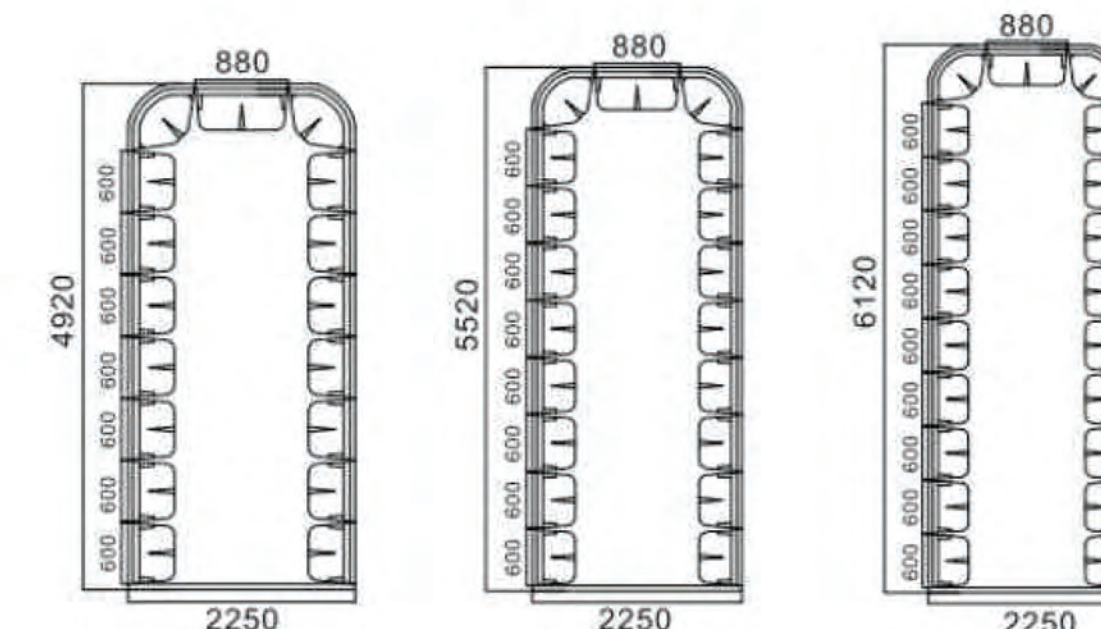
KDL-10B
Product Size: 2250x2520x2150mm



More Product Structure



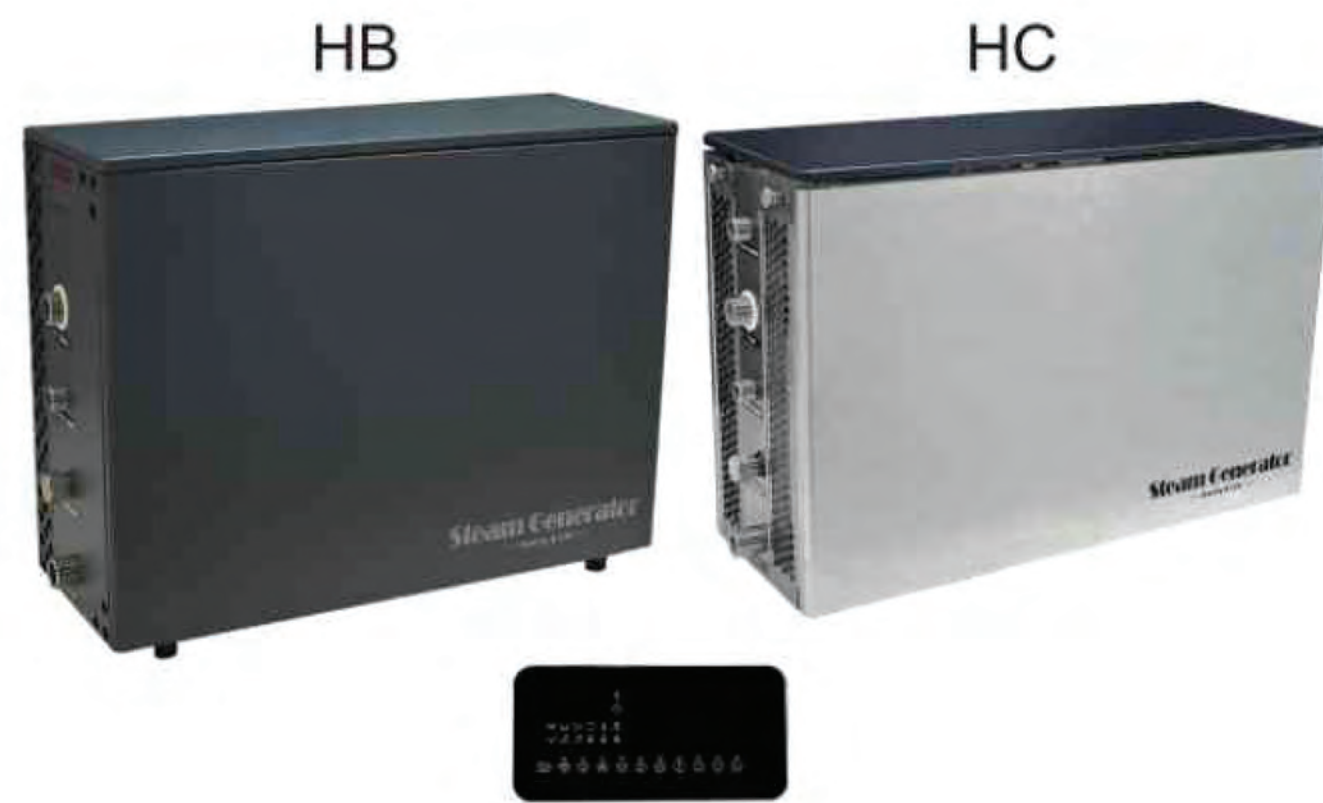
KDL-12B Size:2250x3120x2150mm
KDL-14B Size:2250x3720x2150mm
KDL-16B Size:2250x4320x2150mm



KDL-18B Size:2250x4920x2150mm
KDL-20B Size:2250x5520x2150mm
KDL-22B Size:2250x6120x2150mm

Steamer

HB/HC Steamer



"HARIYA" Steamer



Technical Characteristics

Model	Power(kw)	Voltage(V)	Room(m³)
HB-45/HC-45	4.5	380	3-5
HB-60/HC-60	6.0	380	6-7
HB-90/HC-90	9.0	380	10-12
HB-120/HC-120	12	380	15-18
HB-150/HC-150	15	380	18-21
HB-180/HC-180	18	380	21-25
HB-210/HC-210	21	380	26-30

Technical Characteristics

型号 Model	功率 Power(kw)	工作电压 Voltage(V)	Dimensions(mm)
HA-40	4.0	220/380	210*650*430
HA-60	6.0	220/380	210*650*430
HA-80	8.0	220/380	210*650*430
HA-90	9.0	220/380	210*650*430
HA-120	12	380	260*650*600
HA-150	15	380	260*650*600
HA-180	18	380	260*650*600

"STCMKOT" Steamer



"KASDALY" Steamer



Technical Characteristics

Model	Power(kw)	Voltage(V)	Current(A)	Room(m³)	AWG
ST-30	3.0	200-240	13.6	2.5-5	3*11
ST-40	4.0	200-240	18.2	5-6	3*10
ST-60	6.0	200-240	27.3	6-7	3*8
		380-415	9.1		5*13
ST-70	7.0	200-240	31.8	7-9	3*8
		380-415	11.4		5*12
ST-80	8.0	200-240	36.4	9-10	3*7
		380-415	13.6		5*11
ST-90	9.0	200-240	41	10-12	3*7
		380-415	13.6		5*11
ST-105	10.5	380-415	16	12-15	5*11
ST-120	12.0	380-415	18	15-18	5*10
ST-150	15.0	380-415	23	18-21	5*9
ST-180	18.0	380-415	27.3	21-24	5*8

Technical Characteristics

Model	Power(kw)	Voltage(V)	Current(A)	Room(m³)	AWG
DON-45	4.5	200-240	20	3-5	3*10
		380-415	7		5*14
DON-60	6.0	200-240	27.3	6-7	3*8
		380-415	9		5*13
DON-90	9.0	200-240	41	10-12	3*7
		380-415	14		5*11
DON-105	10.5	380-415	16	12-15	5*11
DON-120	12.0	380-415	18	15-18	5*10
DON-150	15.0	380-415	23	18-21	5*9
DON-180	18.0	380-415	27.3	21-25	5*8

LEISURE FURNITURE SERIES





Leisure Furniture series



TYS-007

TYS-0010B
450X450X460mm



MY-0010A
1900X640X800mm



ART G3051

ART 1244



TYS-003



TYS-004



TYS-005

SPA HOT TUB SERIES



NEW PRODUCT

SPA HOT TUB

ENHANCE YOUR LIFESTYLE
EXPERIENCE PERFECT ENJOYMENT

Model: JY-8605

Dimensions	5850mmx2200mmx1500mm
Capacity	11000L
Seating	2seats
Dry Weight	1500kg
Filled Weight	11000L
Total Jets	24pcs



Equipment

Counter Current Pump	1x2.8KW/380V
High Performance Pumps	1x2HP
Circulation Pump	1x1.0HP
9-speed flow controller	1pc
LED Light	1pc
Ozone	1pc
Plastic wood skirt LED light belt	1pc
Inlet/outlet	1pc
Sand filter P400	1pc
Cartridge filter	1pc
Headrest	2pcs
Fiberglass Base Tray	1pc



PARAMETER JY8801

Dimensions	6900mmX2220mmX1550mm
Capacity	9000L
Seating	2seats
Dry Weight	1600kg
Filled Weight	9000kg
Total Jets	24pcs

Equipment

Counter Current Pump	1X2.8KW/380V
High Performance Pumps	1X2HP
Circulation Pump	1X 1HP
Heater	1X3KW
LED Light LED灯	1pc
Synthetic Cabinet	1pc
Drain	1pc
Filtration	1pc
Headrest	2pc
Sand Filter P400 (options)	2pc



9-speed flow controller 1pc



PARAMETER JY8601

Dimensions	5850mmx2200mmx1520mm
Capacity	7600L(Approx)
Seating	5seats+1lounger
Dry Weight	1275kg(Approx)
Filled Weight	8000kg(Approx)
Total Jets	59pcs

Equipment

High Performance Pumps	2x2HP , 2x3HP	Drain	1pc
Circulation Pump	2x0.5HP	Filtration	2pcs
Heater	2x3kw	High Density Foam Insulation	1pc
LED Light	2pc	Headrest	5pcs
Blower	400W		
Aromatherapy	1pc		
Ozone	1pc		
Controller	2pcs		
Synthetic Cabinet	1pc		



PARAMETER JY8602

Dimensions	5850mmx2200mmx1600mm
Capacity	8500L(Approx)
Seating	4 seats
Dry Weight	1300kg
Filled Weight	11000kg
Total Jets	51pcs

Equipment

High Performance Pumps	3x3HP
Circulation Pump	1x0.5HP
Heater	1x3kw
LED Light	1pc
Ozone	1pc
Controller	1pcs
Synthetic Cabinet	1pc
Drain	1pc
Filtration	1pc
High Density Foam Insulation	1pc



Headrest 2pcs



PARAMETER JY8802

Dimensions	5700mmx2240mmx1520mm
Capacity	7600L
Seating	2seats
Dry Weight	1275kg
Filled Weight	8000kg
Total Jets	47pcs

Equipment

High Performance Pumps	3x3HP
Circulation Pump	1x0.5HP
Heater	1x3kw
LED Light	1pc
Ozone	1pc
Controller	1pc
Synthetic Cabinet	1pc
Drain	1pc
Filtration	1pc
High Density Foam Insulation	1pc
Headrest	2pcs



Fiberglass Base Tray 1pc



PARAMETER JY8603

Dimensions	4180mmx2200mmx1430mm
Capacity	5600L(Approx)
Seating	2seats
Dry Weight	1000kg
Filled Weight	6500kg
Total Jets	28pcs

Equipment

High Performance Pumps	2x2HP 1x3HP
Circulation Pump	1x0.5HP
Heater	1x3kw
LED Light	1pc
Ozone	1pc
Controller	1pcs
Synthetic Cabinet	1pc
Drain	1pc
Filtration	1pc
High Density Foam Insulation	1pc
Headrest	2pcs



PARAMETER JY8801-A

Dimensions	5870mmx2280mmx1520mm
Capacity	7600L
Seating	2seats+1lounger
Dry Weight	1275kg
Filled Weight	8000kg
Total Jets	61pcs

Equipment

High Performance Pumps	3x3HP
Circulation Pump	2x0.5HP
Heater	2x3kw
LED Light	1pc
Blower	400W
Aromatherapy	1pc
Ozone	1pc
Controller	2pcs
Synthetic Cabinet	1pc
Drain	1pc
Filtration	1pc
High Density Foam Insulation	1pc
Headrest	3pcs
Fiberglass Base Tray	1pc



PARAMETER JY8005

Dimensions	2100mmx1050mmx760mm
Capacity	600L
Seating	2seats
Dry Weight	180kg
Filled Weight	780kg
Total Jets	23pcs

Equipment

High Performance Pumps	1x2HP 2speed
Heater	1x3kw
LED Light	1pc
Blower	300W
Ozon	1pc
Controller	1pc
Synthetic Cabinet	1pc
Drain	1pc
Filtration	1pc
High Density Foam Insulation	1pc
Headrest	2pcs
Fiberglass Base Tray	1pc



PARAMETER JY8005A

Dimensions	2100mmx1050mmx760mm
Capacity	600L
Seating	1 lounger
Dry Weight	180kg
Filled Weight	780kg
Total Jets	23pcs

Equipment

High Performance Pumps	1x2HP 2speed
Heater	1x3kw
LED Light	1pc
Ozon	1pc
Controller	1pc
Synthetic Cabinet	1pc
Drain	1pc
Filtration	1pc
Headrest	1pc
Fiberglass Base Tray	1pc



PARAMETER JY8803

Dimensions	4560mmx2240mmx1520mm
Capacity	5600L
Seating	2seats
Dry Weight	1000kg
Filled Weight	6500kg
Total Jets	43pcs

Equipment

High Performance Pumps	3x3HP
Circulation Pump	1x0.5HP
Heater	1x3kw
LED Light	1pc
Ozone	1pc
Controller	1pc
Synthetic Cabinet	1pc
Drain	1pc
Filtration	1pc
High Density Foam Insulation	1pc
Headrest	2pcs
Fiberglass Base Tray	1pc



PARAMETER JY8001

Dimensions	4000mmx2200mmx950mm
Capacity	3000L
Seating	6seats+2loungers
Dry Weight	860kg
Filled Weight	4230kg
Total Jets	114pcs

Equipment

High Performance Pumps	2x3HP, 1x2HP
Circulation Pump	1x0.5HP
Heater	1x3kw
LED Light	1pc
Blower	400W
Aromatherapy	1pc
Ozone	1pc
Controller	1pc
Synthetic Cabinet	1pc
Drain	1pc
Filtration	2pcs
High Density Foam Insulation	1pc
Headrest	8pcs
Fiberglass Base Tray	1pc



PARAMETER JY8006

Dimensions	2100mmx1650mmx790mm
Capacity	950L
Seating	2loungers +1seat
Dry Weight	300kg
Filled Weight	1250kg
Total Jets	24pcs

Equipment

High Performance Pumps	1x3HP 2speed
Heater	1x3kw
LED Light	1pc
Ozon	1pc
Controller	1pc
Synthetic Cabinet	1pc
Drain	1pc
Filtration	1pc
High Density Foam Insulation	1pc
Headrest	2pcs
Fiberglass Base Tray	1pc



PARAMETER JY8020

Dimensions	2000mmx2000mmx900mm
Capacity	1400L
Seating	4seats+1 lounger
Dry Weight	350kg
Filled Weight	1750kg
Total Jets	33pcs

Equipment

High Performance Pumps	1x3HP
Circulation Pump	1x0.5HP
Heater	1x3kw
LED Light	1pc
Ozone	1pc
Controller	1pc
Synthetic Cabinet	1pc
Drain	1pc
Filtration	1pc
High Density Foam Insulation	1pc
Headrest	3pcs
Fiberglass Base Tray	1pc





PARAMETER JY8007

Dimensions	2200mmx2200mmx930mm
Capacity	1250L
Seating	3seats+2 loungers
Dry Weight	380kg
Filled Weight	1630kg
Total Jets	40pcs



Equipment	
High Performance Pumps	2x2HP
Circulation Pump	1x0.5HP
Heater	1x3kw
LED Light	1pc
Ozone	1pc
Controller	1pc
Synthetic Cabinet	1pc
Drain	1pc
Filtration	1pc
High Density Foam Insulation	1pc
Headrest	3pcs
Fiberglass Base Tray	1pc



PARAMETER JY8008

Dimensions	2200mmx2200mmx930mm
Capacity	1280L
Seating	5seats+1 lounger
Dry Weight	380kg
Filled Weight	1660g
Total Jets	45pcs



Equipment	
High Performance Pumps	2x2HP
Circulation Pump	1x0.5HP
Heater	1x3kw
LED Light	1pc
Ozone	1pc
Controller	1pc
Synthetic Cabinet	1pc
Drain	1pc
Filtration	1pc
High Density Foam Insulation	1pc
Headrest	3pcs
Fiberglass Base Tray	1pc



PARAMETER JY8807

Dimensions	2130mmx2130mmx880mm
Capacity	1480L
Seating	3seats+1lounger
Dry Weight	350kg
Filled Weight	1950kg
Total Jets	55pcs



Equipment	
High Performance Pumps	2x3HP
Circulation Pump	1x0.5HP
Heater	1x3kw
LED Light	1pc
Blower	400W
Aromatherapy	1pc
Ozone	1pc
Controller	1pc
Synthetic Cabinet	1pc
Drain	1pc
Filtration	1pc
High Density Foam Insulation	1pc
Headrest	1pc
Fiberglass Base Tray	1pc



PARAMETER JY8808

Dimensions	2130mmx2130mmx880mm
Capacity	1500L
Seating	8seats
Dry Weight	380kg
Filled Weight	1900kg
Total Jets	48pcs



Equipment	
High Performance Pumps	2x3HP
Circulation Pump	1x0.5HP
Heater	1x3kw
LED Light	1pc
Blower	400W
Aromatherapy	1pc
Ozone	1pc
Controller	1pc
Synthetic Cabinet	1pc
Drain	1pc
Filtration	1pc
High Density Foam Insulation	1pc
Headrest	3pcs
Fiberglass Base Tray	1pc



PARAMETER JY8805

Dimensions	2180mmx1600mmx880mm
Capacity	1100L
Seating	2seats+1lounger
Dry Weight	280kg
Filled Weight	1380kg
Total Jets	46pcs



Equipment	
High Performance Pumps	1x3HP
Circulation Pump	1x0.5HP
Heater	1x3kw
LED Light	1pc
Blower	400W
Aromatherapy	1pc
Ozone	1pc
Controller	1pc
Synthetic Cabinet	1pc
Drain	1pc
Filtration	1pc
High Density Foam Insulation	1pc
Headrest	3pcs
Fiberglass Base Tray	1pc



PARAMETER JY8806

Dimensions	2180mmx1950mmx880mm
Capacity	1480L
Seating	4seats
Dry Weight	380kg
Filled Weight	1950kg
Total Jets	41pcs



Equipment	
High Performance Pumps	2x2HP
Circulation Pump	1x0.5HP
Heater	1x3kw
LED Light	1pc
Blower	400W
Aromatherapy	1pc
Ozone	1pc
Controller	1pc
Synthetic Cabinet	1pc
Drain	1pc
Filtration	1pc
High Density Foam Insulation	1pc
Headrest	1pc
Fiberglass Base Tray	1pc



PARAMETER JY8809

Dimensions	2130mmx2130mmx880mm
Capacity	1480L
Seating	3seats+2loungers
Dry Weight	380kg
Filled Weight	1950kg
Total Jets	57pcs



Equipment	
High Performance Pumps	2x3HP
Circulation Pump	1x0.5HP
Heater	1x3kw
LED Light	1pc
Blower	400W
Aromatherapy	1pc
Ozone	1pc
Controller	1pc
Synthetic Cabinet	1pc
Drain	1pc
Filtration	1pc
High Density Foam Insulation	1pc
Headrest	3pcs
Fiberglass Base Tray	1pc



PARAMETER JY8810

Dimensions	2130mmx2130mmx880mm
Capacity	1450L
Seating	4seats+1lounger
Dry Weight	380kg
Filled Weight	1880kg
Total Jets	72pcs



Equipment	
High Performance Pumps	2x3HP
Circulation Pump	1x0.5HP
Heater	1x3kw
LED Light	1pc
Blower	400W
Aromatherapy	1pc
Ozone	1pc
Controller	1pc
Synthetic Cabinet	1pc
Drain	1pc
Filtration	1pc
High Density Foam Insulation	1pc
Headrest	3pcs
Fiberglass Base Tray	1pc



PARAMETER JY8811

Dimensions	2250mmx2250mmx880mm
Capacity	1500L
Seating	3seats+2loungers
Dry Weight	380kg
Filled Weight	1900kg
Total Jets	69pcs

Equipment	
High Performance Pumps	2x3HP
Circulation Pump	1x0.5HP
Heater	1x3kw
LED Light	1pc
Blower	400W
Aromatherapy	1pc
Ozone	1pc
Controller	1pc



Synthetic Cabinet	1pc
Drain	1pc
Filtration	1pc
High Density Foam Insulation	1pc
Headrest	3pcs
Fiberglass Base Tray	1pc



PARAMETER JY8812

Dimensions	2250mmx2250mmx860mm
Capacity	1450L
Seating	5seats+1lounger
Dry Weight	380kg
Filled Weight	1880kg
Total Jets	79pcs

Equipment	
High Performance Pumps	2x3HP
Circulation Pump	1x0.5HP
Heater	1x3kw
LED Light	1pc
Blower	400W
Aromatherapy	1pc
Ozone	1pc
Controller	1pc



Synthetic Cabinet	1pc
Drain	1pc
Filtration	1pc
High Density Foam Insulation	1pc
Headrest	3pcs
Fiberglass Base Tray	1pc



PARAMETER JY8011

Dimensions	2200mmx2200mmx940mm
Capacity	1480L
Seating	4seats+1lounger
Dry Weight	350kg
Filled Weight	1950kg
Total Jets	50pcs

Equipment	
High Performance Pumps	2x2HP
Circulation Pump	1x0.5HP
Heater	1x3kw
LED Light	1pc
Blower	400W
Aromatherapy	1pc
Ozone	1pc
Controller	1pc



Synthetic Cabinet	1pc
Drain	1pc
Filtration	1pc
High Density Foam Insulation	1pc
Headrest	3pcs
Fiberglass Base Tray	1pc



PARAMETER JY8012

Dimensions	2200mmx2200mmx940mm
Capacity	1480L
Seating	3seats+2loungers
Dry Weight	380kg
Filled Weight	1950kg
Total Jets	56pcs

Equipment	
High Performance Pumps	2x2HP
Circulation Pump	1x0.5HP
Heater	1x3kw
LED Light	1pc
Blower	400W
Aromatherapy	1pc
Ozone	1pc
Controller	1pc



Synthetic Cabinet	1pc
Drain	1pc
Filtration	1pc
High Density Foam Insulation	1pc
Headrest	3pcs
Fiberglass Base Tray	1pc



PARAMETER JY8002

Dimensions	2880mmx2200mmx950mm
Capacity	2030L
Seating	4seats+2loungers
Dry Weight	450kg
Filled Weight	2860kg
Total Jets	72pcs

Equipment	
High Performance Pumps	2x3HP
Circulation Pump	1x0.5HP
Heater	1x3kw
LED Light	1pc
Blower	400W
Aromatherapy	1pc
Ozone	1pc
Controller	1pc



Synthetic Cabinet	1pc
Drain	1pc
Filtration	1pc
High Density Foam Insulation	1pc
Headrest	6pcs
Fiberglass Base Tray	1pc



PARAMETER JY8003

Dimensions	2350mmx2350mmx950mm
Capacity	1700L
Seating	3seats+2loungers
Dry Weight	400kg
Filled Weight	2200kg
Total Jets	59pcs

Equipment	
High Performance Pumps	2x3HP
Circulation Pump	1x0.5HP
Heater	1x3kw
LED Light	1pc
Blower	400W
Aromatherapy	1pc
Ozone	1pc
Controller	1pc



Synthetic Cabinet	1pc
Drain	1pc
Filtration	1pc
High Density Foam Insulation	1pc
Headrest	3pcs
Fiberglass Base Tray	1pc



PARAMETER JY8009

Dimensions	1830mmx1230mmx700mm
Capacity	800L
Seating	2loungers+1seat
Dry Weight	190kg
Filled Weight	900kg
Total Jets	17pcs

Equipment	
High Performance Pumps	1x2HP 2speed
Heater	1x2kw
LED Light	1pc
Controller	1pc
Synthetic Cabinet	1pc



Drain	1pc
Headrest	1pc



PARAMETER JY8013

Dimensions	2100mmx1550mmx860mm
Capacity	1100L
Seating	2seats+1lounger
Dry Weight	280kg
Filled Weight	1380kg
Total Jets	40pcs

Equipment	
High Performance Pumps	1x3HP
Circulation Pump	1x0.5HP
Heater	1x3kw
LED Light	1pc
Blower	400W
Aromatherapy	1pc
Ozone	1pc
Controller	1pc



Synthetic Cabinet	1pc
Drain	1pc
Filtration	1pc
High Density Foam Insulation	1pc
Headrest	3pcs
Fiberglass Base Tray	1pc



PARAMETER JY8015

Dimensions	2200mmx2200mmx940mm
Capacity	1500L
Seating	7seats
Dry Weight	380kg
Filled Weight	1900kg
Total Jets	40pcs

Equipment	
High Performance Pumps	2x2HP
Circulation Pump	1x0.5HP
Heater	1x3kw
LED Light	1pc
Blower	400W
Aromatherapy	1pc
Ozone	1pc
Controller	1pc



Synthetic Cabinet	1pc
Drain	1pc
Filtration	1pc
High Density Foam Insulation	1pc
Headrest	4pcs
Fiberglass Base Tray	1pc



PARAMETER JY8016

Dimensions	2200mmx2200mmx940mm
Capacity	1450L
Seating	5seats+1lounger
Dry Weight	380kg
Filled Weight	1880kg
Total Jets	44pcs

Equipment	
High Performance Pumps	2x2HP
Circulation Pump	1x0.5HP
Heater	1x3kw
LED Light	1pc
Blower	400W
Aromatherapy	1pc
Ozone	1pc
Controller	1pc



Synthetic Cabinet	1pc
Drain	1pc
Filtration	1pc
High Density Foam Insulation	1pc
Headrest	3pcs
Fiberglass Base Tray	1pc



PARAMETER JY8010

Dimensions	2200mmx2200mmx940mm
Capacity	1400L
Seating	6seats
Dry Weight	380kg
Filled Weight	1780kg
Total Jets	44pcs

Equipment	
High Performance Pumps	2x2HP
Circulation Pump	1x0.5HP
Heater	1x3kw
LED Light	1pc
Blower	300W
Aromatherapy	1pc
Ozone	1pc
Controller	1pc



Synthetic Cabinet	1pc
Drain	1pc
Filtration	1pc
High Density Foam Insulation	1pc
Headrest	4pcs
Fiberglass Base Tray	1pc



PARAMETER JY8010A

Dimensions	1900mmx1900mmx940mm
Capacity	1450L
Seating	2seats
Dry Weight	360kg
Filled Weight	1920g
Total Jets	16pcs

Equipment	
High Performance Pumps	1x2HP
Circulation Pump	1x0.5HP
Heater	1x3kw
LED Light	1pc
Blower	300W
Aromatherapy	1pc
Ozone	1pc
Controller	1pc



Synthetic Cabinet	1pc
Filtration	1pc
High Density Foam Insulation	1pc
Fiberglass Base Tray	1pc



PARAMETER JY8017

Dimensions	2200mmx2200mmx940mm
Capacity	1550L
Seating	4seats+1lounger
Dry Weight	380kg
Filled Weight	1920kg
Total Jets	59pcs

Equipment	
High Performance Pumps	1x2HP 1x3HP
Circulation Pump	1x0.5HP
Heater	1x3kw
LED Light	1pc
Blower	400W
Aromatherapy	1pc
Ozone	1pc
Controller	1pc



Synthetic Cabinet	1pc
Drain	1pc
Filtration	1pc
High Density Foam Insulation	1pc
Headrest	3pcs
Fiberglass Base Tray	1pc



PARAMETER JY8018

Dimensions	2200mmx2200mmx940mm
Capacity	1500L
Seating	3seats+2loungers
Dry Weight	380kg
Filled Weight	1900kg
Total Jets	71pcs

Equipment	
High Performance Pumps	2x3HP
Circulation Pump	1x0.5HP
Heater	1x3kw
LED Light	1pc
Blower	400W
Aromatherapy	1pc
Ozone	1pc
Controller	1pc



Synthetic Cabinet	1pc
Drain	1pc
Filtration	1pc
High Density Foam Insulation	1pc
Headrest	3pcs
Fiberglass Base Tray	1pc

Control panel



Canadian Gecko control system



American Balboa control system



P23B32 SPA control



P15B66 SPA control

Acrylic shell



6427 Silver white marble



6615 Summer sapphire



6696 White pearlescent



6811 Oceanwave



6878 Midnight



6256 Mayan copper



6240 Mediterranean sunset



9814 Gypsum

Synthetic cabinet colors



Teak color



Red Brown



Grey



Coffee