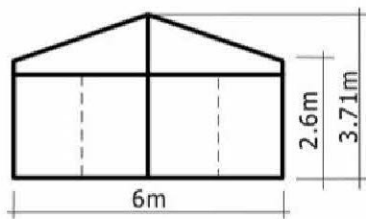


New Party Tent Technical Data (Type: NPT6/260)

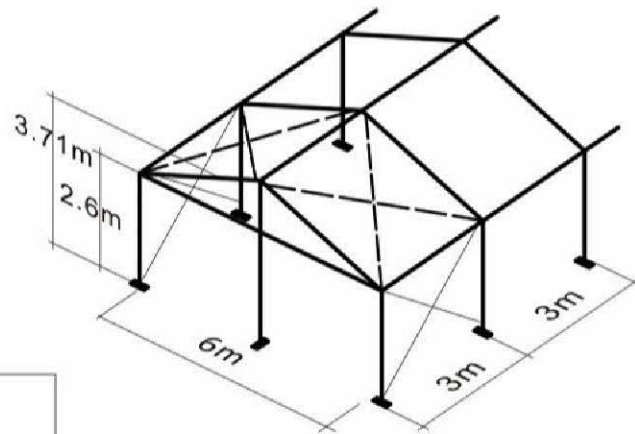


Item	Specification
Clear-span width	6m
Eave height	2.6m
Ridge height	3.71m
Roof pitch	20°
Bay distance	3m
Longest component	3.5m
Minimum tent length	6m

Roof fixing	Bar tensioning
Main profile	100x48x3.0mm (4-channel)
Wind loading	80km/hour 0.3kn/m ²
Eave connection	Hot-dip Galvanized steel insert
Framework material	Hard pressed extruded aluminium 6061/T6 (13HW)
Cover material	PVC-coated polyester textile, flame retardant to DIN 4102 B1,M2,CFM. 750g-900g/m ²



Type: NPT6/260



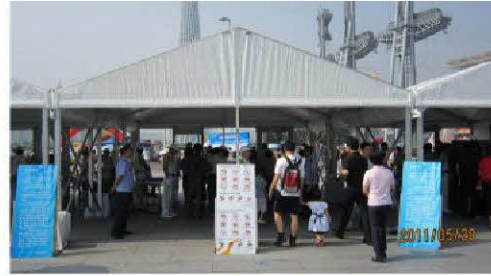
Framework main profile dimension and use			
<p>Roof Beam upright support</p>	<p>Gable pole</p>	<p>Eave purlin</p>	<p>Intermediale purlin Ridge purlin</p>

Optional accessories

PVC window sidewalls	Glass door units
Anchoring	Transparent PVC cover and sidewall
Rain Gutter	Flooring system
Lining and curtain	Weight plate

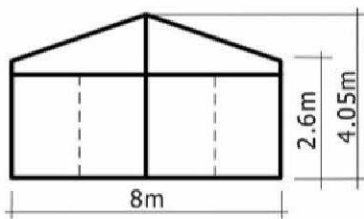


New Party Tent Technical Data (Type: NPT8/260)

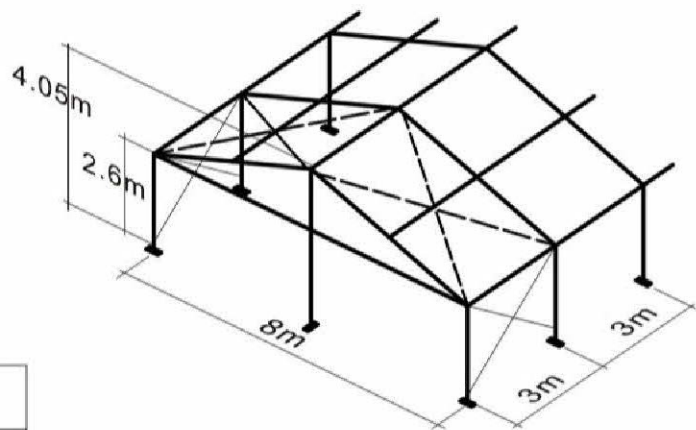


Item	Specification
Clear-span width	8m
Eave height	2.6m
Ridge height	4.05m
Roof pitch	20°
Bay distance	3m
Longest component	4.25m
Minimum tent length	6m

Roof fixing	Bar tensioning
Main profile	100x48x3.0mm (4-channel)
Wind loading	80km/hour 0.3kn/m ²
Eave connection	Hot-dip Galvanized steel insert
Framework material	Hard pressed extruded aluminium 6061/T6 (13HW)
Cover material	PVC-coated polyester textile, flame retardant to DIN 4102 B1,M2,CFM. 750g-900g/m ²



Type: NPT8/260



Framework main profile dimension and use			
<p>Roof Beam upright support</p>	<p>Gable pole</p>	<p>Eave purlin</p>	<p>Intermediale purlin Ridge purlin</p>

Optional accessories	
PVC window sidewalls	Glass door units
Anchoring	Transparent PVC cover and sidewall
Rain Gutter	Flooring system
Lining and curtain	Weight plate

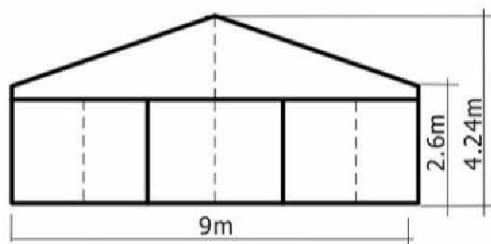


New Party Tent Technical Data (Type: NPT9/260)

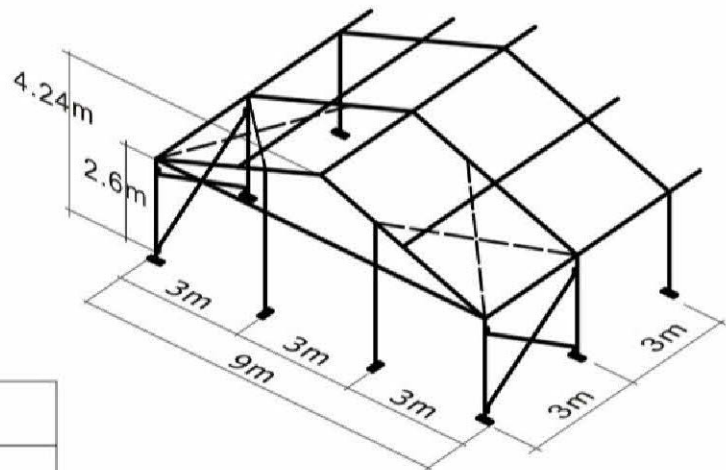


Item	Specification
Clear-span width	9m
Eave height	2.6m
Ridge height	4.24m
Roof pitch	20°
Bay distance	3m
Longest component	4.8m
Minimum tent length	6m

Roof fixing	Bar tensioning
Main profile	100x48x3.0mm (4-channel)
Wind loading	80km/hour 0.3kn/m ²
Eave connection	Hot-dip Galvanized steel insert
Framework material	Hard pressed extruded aluminium 6061/T6 (13HW)
Cover material	PVC-coated polyester textile, flame retardant to DIN 4102 B1,M2,CFM. 750g-900g/m ²



Type: NPT9/260



Framework main profile dimension and use			
<p>Roof Beam upright support</p>	<p>Gable pole</p>	<p>Eave purlin</p>	<p>Intermediale purlin Ridge purlin</p>

Optional accessories

PVC window sidewalls	Glass door units
Anchoring	Transparent PVC cover and sidewall
Rain Gutter	Flooring system
Lining and curtain	Weight plate

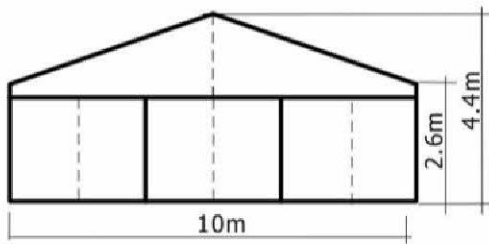


New Party Tent Technical Data (Type: NPT10/260)

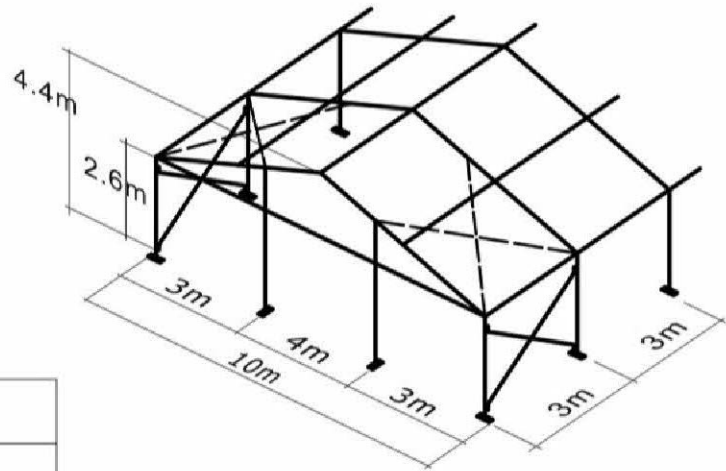


Item	Specification
Clear-span width	10m
Eave height	2.6m
Ridge height	4.4m
Roof pitch	20°
Bay distance	3m
Longest component	5.32m
Minimum tent length	6m

Roof fixing	Bar tensioning
Main profile	100x48x3.0mm (4-channel)
Wind loading	80km/hour 0.3kn/m ²
Eave connection	Hot-dip Galvanized steel insert
Framework material	Hard pressed extruded aluminium 6061/T6 (13HW)
Cover material	PVC-coated polyester textile, flame retardant to DIN 4102 B1,M2,CFM. 750g-900g/m ²



Type: NPT10/260



Framework main profile dimension and use			
<p>Roof Beam upright support</p>	<p>Gable pole</p>	<p>Eave purlin</p>	<p>Intermediale purlin Ridge purlin</p>

Optional accessories

PVC window sidewalls	Glass door units
Anchoring	Transparent PVC cover and sidewall
Rain Gutter	Flooring system
Lining and curtain	Weight plate



gable beam

ridge purlin

gable pole

intermediate purlin

roof beam











AREA A
FLOOR 2

2012/09/23





This is VIP floor, it's only used for
5m bay tent.



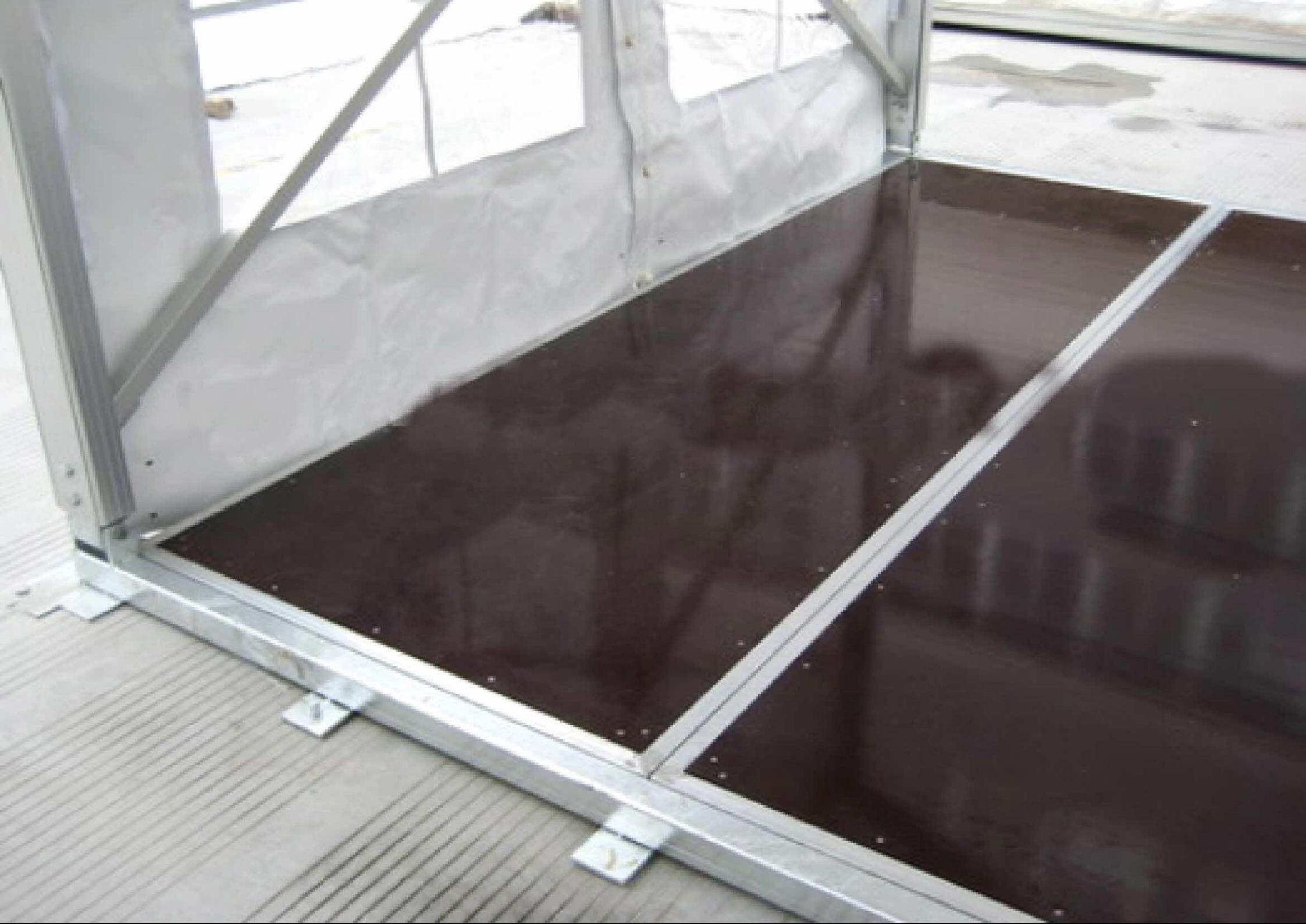




This is bar-tention system, it ensures tents roof cover much more tightened and tensioned. (New Party Tent)





















eyelet

lace









