

LES NOUVEAUX EXPORTATEURS LIMITED
Office 3,10/F WITTY COMMERCIAL BUILDING,
1A-1L TUNG CHOI STREET,MONGKOK QUARTER
KOWLOON,HONG KONG

Office: +852 8191 1210

Whatsapp & mobile: +63 915 904 4401

www.lesnouveauxexportateurs.fr

info@lesnouveauxexportateurs.fr

PRODUCT CATALOGUE

LED Pixel Lights



CONTENTS

About Us

Contact Us

RGB Programmable 1

RGB Auto..... 17

Single Color..... 23

Applications 27

ABOUT US

electronic Co., Ltd is a manufacturer of optoelectronic in China. We have over 8 years' experience, since 2009, we specialize in RGB & Single color, Programmable & Auto Programmed Led lighting. Our products are used on amusement rides and attractions all over the world.

And all our products are designed and made in China in order to ensure reliability and high quality. We have professional team specializes in lighting project animation and program solutions. With our own programming software named , we can program almost all the color and light effects to customize every equipment on the basis of customers' needs. In this way, we are able to make every amusement ride unique and let our customer to



be absolutely different from others.

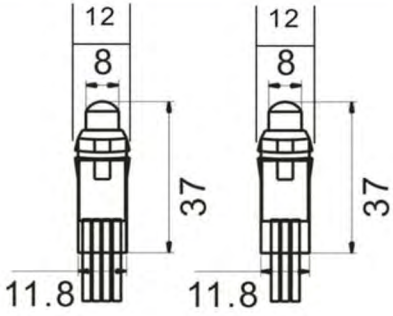

We attend in various LED professional Expo each year to show customers our products and services. The successful application cases of are all over the world, which established the good reputation.




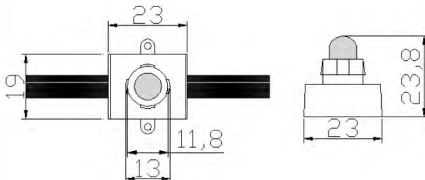
Our rule is "Top quality, good products and best services."

RGB Programmable


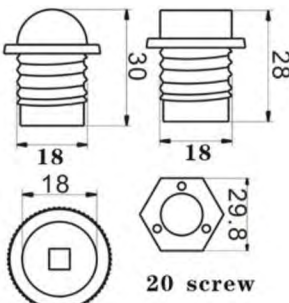
IC1 2RGB

| | | | |
|---------------|----------------------------------|--|---|
| Voltage | DC 5V |  |  |
| Power | 0.3W | | |
| Chip | UCS1903, WS2811, WS2801, SM16726 | | |
| LED | Straw hat LED | | |
| LEDs Quantity | 1 | | |
| Color | RGB | | |
| IP Rating | IP66 | | |

FD681

| | | | |
|--|---|---------------|----------------------------------|
|  |  | Voltage | DC 5V |
| | | Power | 0.3W |
| | | Chip | UCS1903, WS2811, WS2801, SM16726 |
| | | LED | Straw hat LED |
| | | LEDs Quantity | 1 |
| | | Color | RGB |
| | | IP Rating | IP66 |

IC211

| | | | |
|---|---|---------------|----------|
|  |  | Voltage | DC 12V |
| | | Power | 0.24W |
| | | Chip | UCS1903 |
| | | LED | SMD 5050 |
| | | LEDs Quantity | 1 |
| | | Color | RGB |
| | | IP Rating | IP66 |

IC211-35

| | | | |
|---------------|----------|--|--|
| Voltage | DC 12V | | |
| Power | 0.72W | | |
| Chip | UCS1903 | | |
| LED | SMD 3535 | | |
| LEDs Quantity | 3 | | |
| Color | RGB | | |
| IP Rating | IP66 | | |

IC219-1

| | | | |
|--|--|---------------|----------|
| | | Voltage | DC 12V |
| | | Power | 0.72W |
| | | Chip | UCS1903 |
| | | LED | SMD 5050 |
| | | LEDs Quantity | 3 |
| | | Color | RGB |
| | | IP Rating | IP66 |

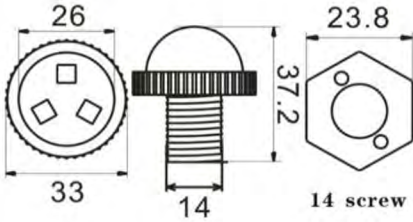

IC219-2

| | | | |
|---------------|----------|--|--|
| Voltage | DC 12V | | |
| Power | 0.72W | | |
| Chip | UCS1903 | | |
| LED | SMD 5050 | | |
| LEDs Quantity | 3 | | |
| Color | RGB | | |
| IP Rating | IP66 | | |


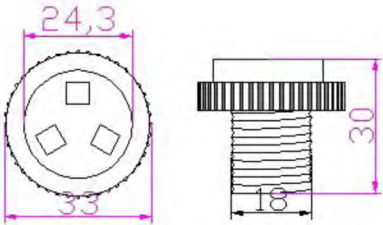
IC219-3

| | | | |
|--|--|---------------|----------|
| | | Voltage | DC 12V |
| | | Power | 0.72W |
| | | Chip | UCS1903 |
| | | LED | SMD 5050 |
| | | LEDs Quantity | 3 |
| | | Color | RGB |
| | | IP Rating | IP66 |

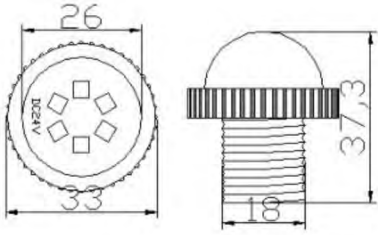

IC219-4

| | | | |
|---------------|----------|--|---|
| Voltage | DC 12V |  |  |
| Power | 0.72W | | |
| Chip | UCS1903 | | |
| LED | SMD 5050 | | |
| LEDs Quantity | 3 | | |
| Color | RGB | | |
| IP Rating | IP66 | | |


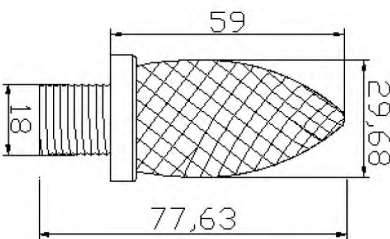
IC219-5

| | | | |
|---|--|---------------|----------|
|  |  | Voltage | DC 12V |
| | | Power | 0.72W |
| | | Chip | UCS1903 |
| | | LED | SMD 5050 |
| | | LEDs Quantity | 3 |
| | | Color | RGB |
| | | IP Rating | IP66 |

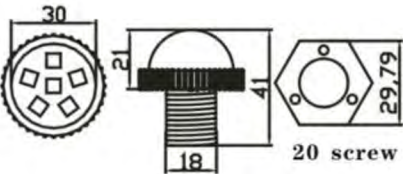

IC219-35

| | | | |
|---------------|----------|---|---|
| Voltage | DC 24V |  |  |
| Power | 1.44W | | |
| Chip | UCS1903 | | |
| LED | SMD 3535 | | |
| LEDs Quantity | 6 | | |
| Color | RGB | | |
| IP Rating | IP66 | | |


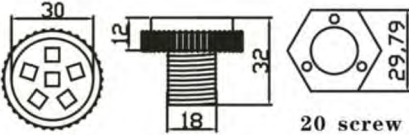
IC219G

| | | | |
|--|---|---------------|----------|
|  |  | Voltage | DC 12V |
| | | Power | 0.72W |
| | | Chip | UCS1903 |
| | | LED | SMD 5050 |
| | | LEDs Quantity | 3 |
| | | Color | RGB |
| | | IP Rating | IP66 |

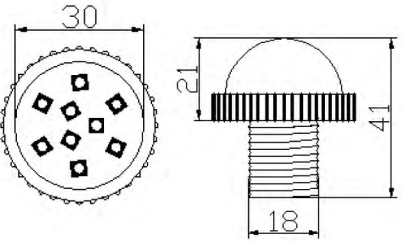

IC306-1

| | | | |
|---------------|------------|--|---|
| Voltage | DC 12V/24V |  |  |
| Power | 1.44W | | |
| Chip | UCS1903 | | |
| LED | SMD 5050 | | |
| LEDs Quantity | 6 | | |
| Color | RGB | | |
| IP Rating | IP66 | | |


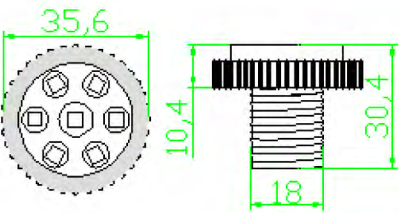
IC306-2

| | | | |
|--|---|---------------|------------|
|  |  | Voltage | DC 12V/24V |
| | | Power | 1.44W |
| | | Chip | UCS1903 |
| | | LED | SMD 5050 |
| | | LEDs Quantity | 6 |
| | | Color | RGB |
| IP Rating | IP66 | | |

IC309

| | | | |
|---------------|------------|--|---|
| Voltage | DC 12V/24V |  |  |
| Power | 2.16W | | |
| Chip | UCS1903 | | |
| LED | SMD 3535 | | |
| LEDs Quantity | 9 | | |
| Color | RGB | | |
| IP Rating | IP66 | | |

IC307T

| | | | |
|--|---|---------------|----------|
|  |  | Voltage | DC 24V |
| | | Power | 1.68W |
| | | Chip | UCS1903 |
| | | LED | SMD 3535 |
| | | LEDs Quantity | 7 |
| | | Color | RGB |
| IP Rating | IP66 | | |

IC356-1

IC359-1

| | | | |
|---------------|-------------|--|--|
| Voltage | DC 12V/24V | | |
| Power | 1.44W/2.16W | | |
| Chip | UCS1903 | | |
| LED | SMD 5050 | | |
| LEDs Quantity | 6 or 9 | | |
| Color | RGB | | |
| IP Rating | IP66 | | |

IC356-2

IC359-2

| | | | |
|--|--|---------------|-------------|
| | | Voltage | DC 12V/24V |
| | | Power | 1.44W/2.16W |
| | | Chip | UCS1903 |
| | | LED | SMD 5050 |
| | | LEDs Quantity | 6 or 9 |
| | | Color | RGB |
| | | IP Rating | IP66 |

IC356-3

IC359-3

| | | | |
|---------------|-------------|--|--|
| Voltage | DC 12V/24V | | |
| Power | 1.44W/2.16W | | |
| Chip | UCS1903 | | |
| LED | SMD 5050 | | |
| LEDs Quantity | 6 or 9 | | |
| Color | RGB | | |
| IP Rating | IP66 | | |

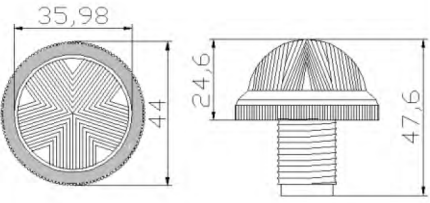

IC356-4

IC359-4


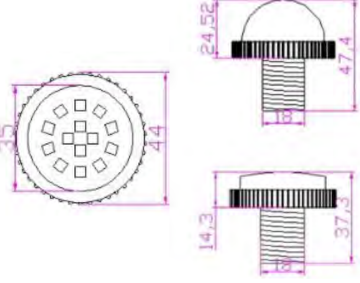
| | | | |
|--|--|---------------|-------------|
| | | Voltage | DC 12V/24V |
| | | Power | 1.44W/2.16W |
| | | Chip | UCS1903 |
| | | LED | SMD 5050 |
| | | LEDs Quantity | 6 or 9 |
| | | Color | RGB |
| | | IP Rating | IP66 |

IC356-5

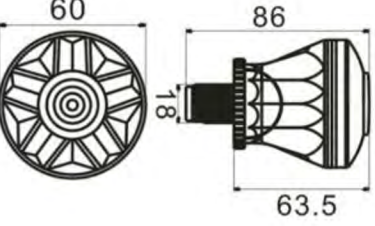

IC359-5

| | | | |
|---------------|-------------|--|---|
| Voltage | DC 12V/24V |  |  |
| Power | 1.44W/2.16W | | |
| Chip | UCS1903 | | |
| LED | SMD 5050 | | |
| LEDs Quantity | 6 or 9 | | |
| Color | RGB | | |
| IP Rating | IP66 | | |


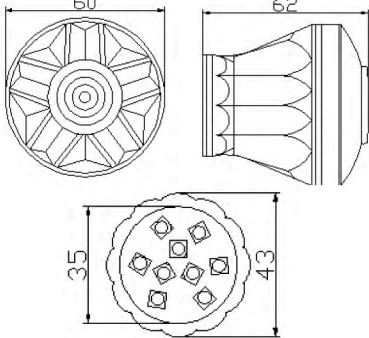
IC359-35

| | | | |
|--|--|---------------|----------|
|  |  | Voltage | DC 24V |
| | | Power | 3W |
| | | Chip | UCS1903 |
| | | LED | SMD 3535 |
| | | LEDs Quantity | 14 |
| | | Color | RGB |
| | | IP Rating | IP66 |

IC359G

| | | | |
|---------------|------------|--|---|
| Voltage | DC 12V/24V |  |  |
| Power | 2.16W | | |
| Chip | UCS1903 | | |
| LED | SMD 5050 | | |
| LEDs Quantity | 9 | | |
| Color | RGB | | |
| IP Rating | IP66 | | |

IC359G-2

| | | | |
|--|---|---------------|------------|
|  |  | Voltage | DC 12V/24V |
| | | Power | 2.16W |
| | | Chip | UCS1903 |
| | | LED | SMD 5050 |
| | | LEDs Quantity | 9 |
| | | Color | RGB |
| | | IP Rating | IP66 |

IC351 8G

| | | | |
|---------------|----------|--|--|
| Voltage | DC 24V | | |
| Power | 4.32W | | |
| Chip | UCS1903 | | |
| LED | SMD 5050 | | |
| LEDs Quantity | 18 | | |
| Color | RGB | | |
| IP Rating | IP66 | | |

IC386G

| | | | |
|-----------|------|---------------|------------|
| | | Voltage | DC 12V/24V |
| | | Power | 1.44W |
| | | Chip | UCS1903 |
| | | LED | SMD 5050 |
| | | LEDs Quantity | 6 |
| | | Color | RGB |
| IP Rating | IP66 | | |

IC386-2

| | | | |
|---------------|------------|--|--|
| Voltage | DC 12V/24V | | |
| Power | 1.44W | | |
| Chip | UCS1903 | | |
| LED | SMD 5050 | | |
| LEDs Quantity | 6 | | |
| Color | RGB | | |
| IP Rating | IP66 | | |

IC456-2

IC459-2

| | | | |
|-----------|------|---------------|-------------|
| | | Voltage | DC 12V/24V |
| | | Power | 1.44W/2.16W |
| | | Chip | UCS1903 |
| | | LED | SMD 5050 |
| | | LEDs Quantity | 6 or 9 |
| | | Color | RGB |
| IP Rating | IP66 | | |

IC451 2-1

| | | |
|---------------|------------|--|
| Voltage | DC 12V/24V | |
| Power | 2.88W | |
| Chip | UCS1903 | |
| LED | SMD 5050 | |
| LEDs Quantity | 12 | |
| Color | RGB | |
| IP Rating | IP66 | |

IC451 2-2

| | | | |
|--|--|---------------|------------|
| | | Voltage | DC 12V/24V |
| | | Power | 2.88W |
| | | Chip | UCS1903 |
| | | LED | SMD 5050 |
| | | LEDs Quantity | 12 |
| | | Color | RGB |
| | | IP Rating | IP66 |

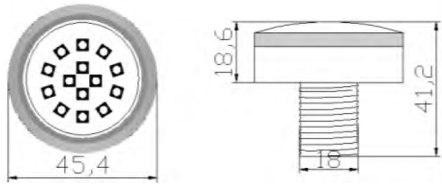

IC451 2-3

| | | |
|---------------|------------|--|
| Voltage | DC 12V/24V | |
| Power | 2.88W | |
| Chip | UCS1903 | |
| LED | SMD 5050 | |
| LEDs Quantity | 12 | |
| Color | RGB | |
| IP Rating | IP66 | |


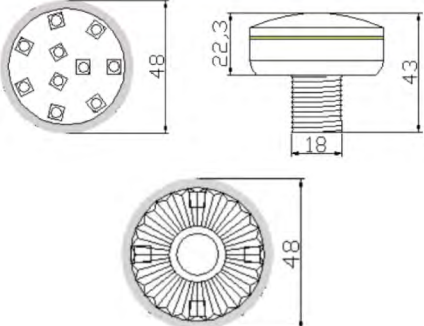
IC451 2G

| | | | |
|--|--|---------------|------------|
| | | Voltage | DC 12V/24V |
| | | Power | 2.88W |
| | | Chip | UCS1903 |
| | | LED | SMD 5050 |
| | | LEDs Quantity | 12 |
| | | Color | RGB |
| | | IP Rating | IP66 |

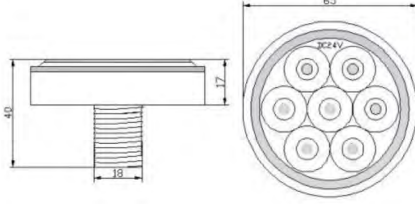

IC4514

| | | | |
|---------------|----------|--|---|
| Voltage | DC 24V |  |  |
| Power | 3.36W | | |
| Chip | UCS1903 | | |
| LED | SMD 3535 | | |
| LEDs Quantity | 14 | | |
| Color | RGB | | |
| IP Rating | IP66 | | |


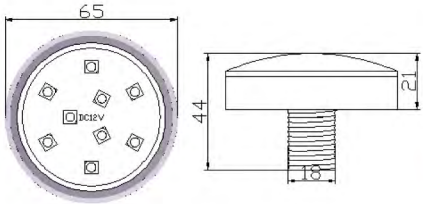
IC4810

| | | | |
|---|--|---------------|-------------|
|  |  | Voltage | DC 12V/24V |
| | | Power | 2.88W/3.36W |
| | | Chip | UCS1903 |
| | | LED | SMD 5050 |
| | | LEDs Quantity | 12 or 14 |
| | | Color | RGB |
| | | IP Rating | IP66 |

IC607T

| | | | |
|---------------|----------|--|---|
| Voltage | DC 24V |  |  |
| Power | 1.68W | | |
| Chip | UCS1903 | | |
| LED | SMD 5050 | | |
| LEDs Quantity | 7 | | |
| Color | RGB | | |
| IP Rating | IP66 | | |

IC609-2

| | | | |
|--|---|---------------|------------|
|  |  | Voltage | DC 12V/24V |
| | | Power | 2.16W |
| | | Chip | UCS1903 |
| | | LED | SMD 5050 |
| | | LEDs Quantity | 9 |
| | | Color | RGB |
| | | IP Rating | IP66 |

IC6012-2

| | | | |
|---------------|------------|--|--|
| Voltage | DC 12V/24V | | |
| Power | 2.88W | | |
| Chip | UCS1903 | | |
| LED | SMD 5050 | | |
| LEDs Quantity | 12 | | |
| Color | RGB | | |
| IP Rating | IP66 | | |

IC6018-2

| | | | |
|--|--|---------------|----------|
| | | Voltage | DC 24V |
| | | Power | 4.32W |
| | | Chip | UCS1903 |
| | | LED | SMD 5050 |
| | | LEDs Quantity | 18 |
| | | Color | RGB |
| | | IP Rating | IP66 |

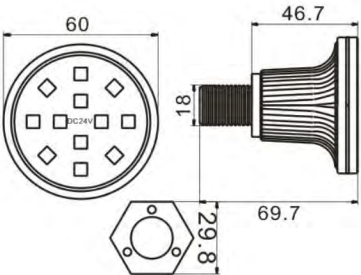

IC6019-2

| | | | |
|---------------|----------|--|--|
| Voltage | DC 24V | | |
| Power | 4.56W | | |
| Chip | UCS1903 | | |
| LED | SMD 5050 | | |
| LEDs Quantity | 19 | | |
| Color | RGB | | |
| IP Rating | IP66 | | |


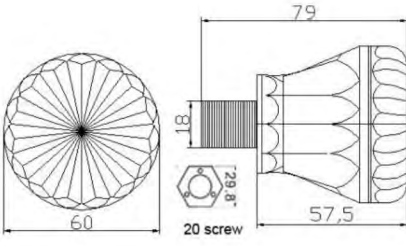
IC6018G-2

| | | | |
|--|--|---------------|----------|
| | | Voltage | DC 24V |
| | | Power | 4.32W |
| | | Chip | UCS1903 |
| | | LED | SMD 5050 |
| | | LEDs Quantity | 18 |
| | | Color | RGB |
| | | IP Rating | IP66 |

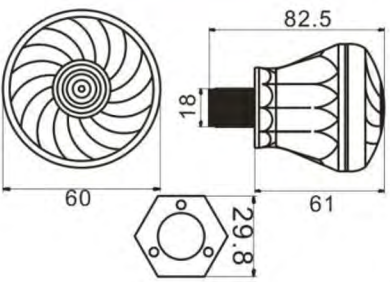

IC6018G-3

| | | | |
|---------------|----------|---|---|
| Voltage | DC 24V |  |  |
| Power | 4.32W | | |
| Chip | UCS1903 | | |
| LED | SMD 5050 | | |
| LEDs Quantity | 18 | | |
| Color | RGB | | |
| IP Rating | IP66 | | |


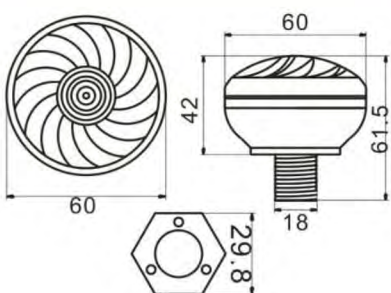
IC6018G-4

| | | | |
|---|--|---------------|----------|
|  |  | Voltage | DC 24V |
| | | Power | 4.32W |
| | | Chip | UCS1903 |
| | | LED | SMD 5050 |
| | | LEDs Quantity | 18 |
| | | Color | RGB |
| IP Rating | IP66 | | |

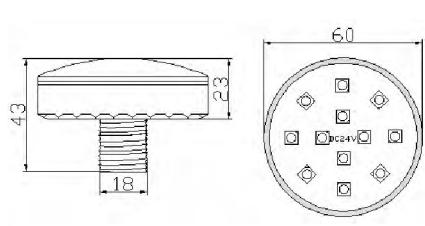

IC6018G-5

| | | | |
|---------------|----------|--|---|
| Voltage | DC 24V |  |  |
| Power | 4.32W | | |
| Chip | UCS1903 | | |
| LED | SMD 5050 | | |
| LEDs Quantity | 18 | | |
| Color | RGB | | |
| IP Rating | IP66 | | |


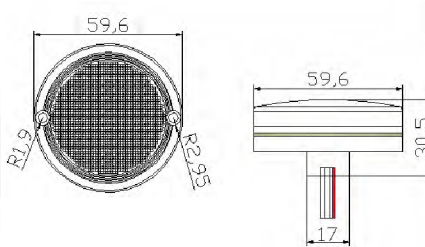
IC6018B

| | | | |
|---|---|---------------|----------|
|  |  | Voltage | DC 24V |
| | | Power | 4.32W |
| | | Chip | UCS1903 |
| | | LED | SMD 5050 |
| | | LEDs Quantity | 18 |
| | | Color | RGB |
| IP Rating | IP66 | | |

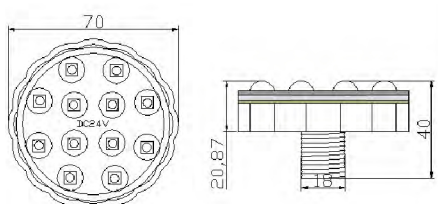

IC6018S

| | | | |
|---------------|----------|--|---|
| Voltage | DC 24V |  |  |
| Power | 4.32W | | |
| Chip | UCS1903 | | |
| LED | SMD 5050 | | |
| LEDs Quantity | 18 | | |
| Color | RGB | | |
| IP Rating | IP66 | | |


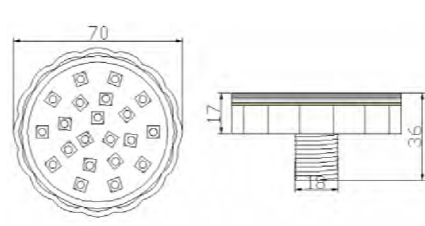
T60

| | | | |
|---|--|---------------|------------|
|  |  | Voltage | DC 12V/24V |
| | | Power | 2.88W |
| | | Chip | UCS1903 |
| | | LED | SMD 5050 |
| | | LEDs Quantity | 12 |
| | | Color | RGB |
| | | IP Rating | IP66 |

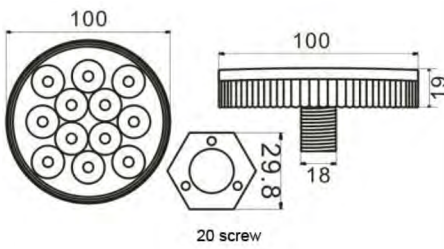

IC7012

| | | | |
|---------------|----------|--|---|
| Voltage | DC 24V |  |  |
| Power | 2.88W | | |
| Chip | UCS1903 | | |
| LED | SMD 5050 | | |
| LEDs Quantity | 12 | | |
| Color | RGB | | |
| IP Rating | IP66 | | |


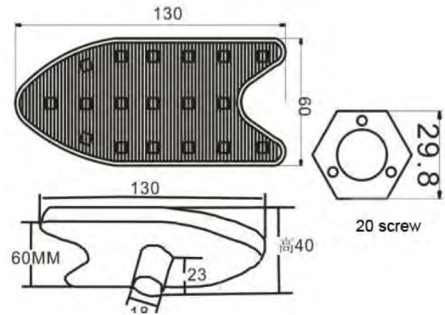
IC7021

| | | | |
|---|---|---------------|----------|
|  |  | Voltage | DC 24V |
| | | Power | 5W |
| | | Chip | UCS1903 |
| | | LED | SMD 5050 |
| | | LEDs Quantity | 21 |
| | | Color | RGB |
| | | IP Rating | IP66 |

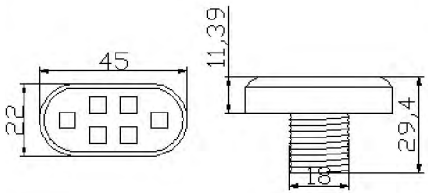

IC1012

| | | | |
|---------------|----------|--|---|
| Voltage | DC 24V |  |  |
| Power | 2.88W | | |
| Chip | UCS1903 | | |
| LED | SMD 5050 | | |
| LEDs Quantity | 12 | | |
| Color | RGB | | |
| IP Rating | IP66 | | |


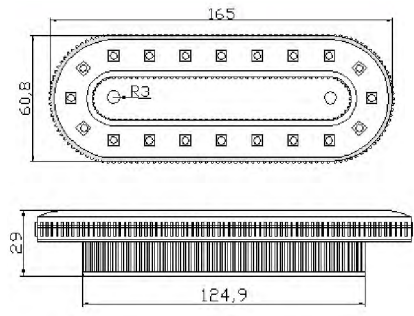
IC1218

| | | | |
|---|--|---------------|----------|
|  |  | Voltage | DC 24V |
| | | Power | 4.32W |
| | | Chip | UCS1903 |
| | | LED | SMD 5050 |
| | | LEDs Quantity | 18 |
| | | Color | RGB |
| IP Rating | IP66 | | |

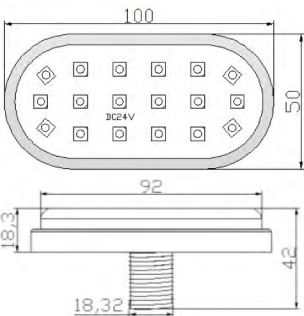

A186

| | | | |
|---------------|------------|--|---|
| Voltage | DC 12V/24V |  |  |
| Power | 1.44W | | |
| Chip | UCS1903 | | |
| LED | SMD 5050 | | |
| LEDs Quantity | 6 | | |
| Color | RGB | | |
| IP Rating | IP66 | | |

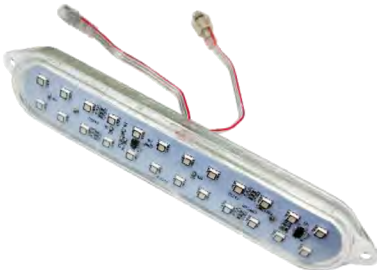
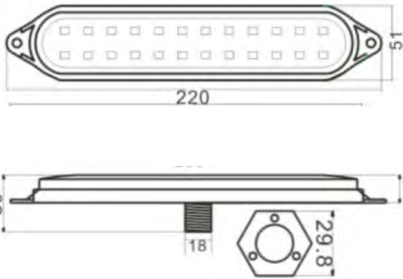
A160

| | | | |
|--|---|---------------|----------|
|  |  | Voltage | DC 24V |
| | | Power | 4.8W |
| | | Chip | UCS1903 |
| | | LED | SMD 5050 |
| | | LEDs Quantity | 20 |
| | | Color | RGB |
| IP Rating | IP66 | | |


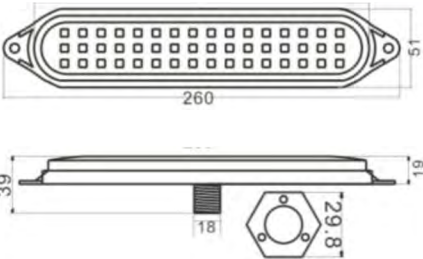
A180

| | | | |
|---------------|----------|---|---|
| Voltage | DC 24V |  |  |
| Power | 4.32W | | |
| Chip | UCS1903 | | |
| LED | SMD 5050 | | |
| LEDs Quantity | 18 | | |
| Color | RGB | | |
| IP Rating | IP66 | | |


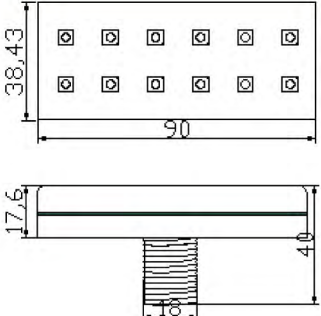
A320-24

| | | | |
|---|--|---------------|----------|
|  |  | Voltage | DC 24V |
| | | Power | 5.76W |
| | | Chip | UCS1903 |
| | | LED | SMD 5050 |
| | | LEDs Quantity | 24 |
| | | Color | RGB |
| | | IP Rating | IP66 |

A320-48

| | | | |
|---|--|---------------|----------|
|  |  | Voltage | DC 24V |
| | | Power | 11.5W |
| | | Chip | UCS1903 |
| | | LED | SMD 5050 |
| | | LEDs Quantity | 48 |
| | | Color | RGB |
| | | IP Rating | IP66 |

A912

| | | | |
|--|---|---------------|----------|
|  |  | Voltage | DC 24V |
| | | Power | 2.88W |
| | | Chip | UCS1903 |
| | | LED | SMD 5050 |
| | | LEDs Quantity | 12 |
| | | Color | RGB |
| | | IP Rating | IP66 |

A918

| | | | |
|---------------|----------|--|--|
| Voltage | DC 24V | | |
| Power | 4.32W | | |
| Chip | UCS1903 | | |
| LED | SMD 5050 | | |
| LEDs Quantity | 18 | | |
| Color | RGB | | |
| IP Rating | IP66 | | |

A380

| | | | |
|-----------|------|---------------|----------|
| | | Voltage | DC 24V |
| | | Power | 11.5W |
| | | Chip | UCS1903 |
| | | LED | SMD 5050 |
| | | LEDs Quantity | 48 |
| | | Color | RGB |
| IP Rating | IP66 | | |

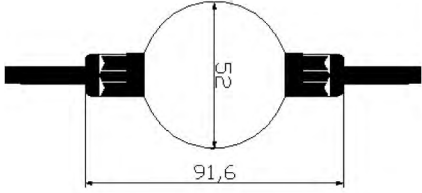

Q25

| | | | |
|---------------|----------|--|--|
| Voltage | DC 12V | | |
| Power | 0.6W | | |
| Chip | UCS1903 | | |
| LED | SMD 3535 | | |
| LEDs Quantity | 2 | | |
| Color | RGB | | |
| IP Rating | IP44 | | |


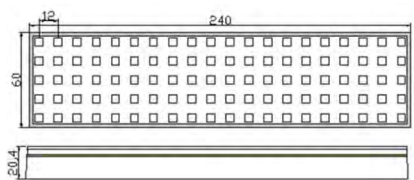
Q35

| | | | |
|-----------|------|---------------|----------|
| | | Voltage | DC 24V |
| | | Power | 1.44W |
| | | Chip | UCS1903 |
| | | LED | SMD 3535 |
| | | LEDs Quantity | 6 |
| | | Color | RGB |
| IP Rating | IP44 | | |

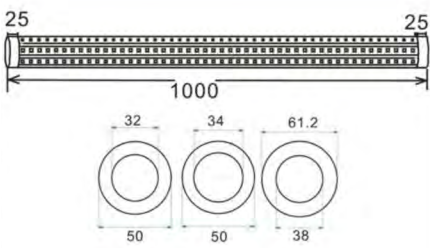

IC504

| | | | |
|---------------|----------|--|---|
| Voltage | DC 24V |  |  |
| Power | 1.3W | | |
| Chip | UCS1903 | | |
| LED | SMD 5050 | | |
| LEDs Quantity | 4 | | |
| Color | RGB | | |
| IP Rating | IP66 | | |

P10

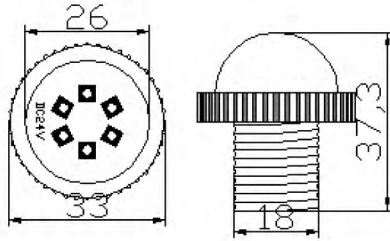
| | | | |
|--|---|---------------|----------|
|  |  | Voltage | DC 5V |
| | | Power | 43W |
| | | Chip | UCS1903 |
| | | LED | SMD 5050 |
| | | LEDs Quantity | 100 |
| | | Color | RGB |
| | | IP Rating | IP66 |

IC919

| | | | |
|---------------|--------------|--|---|
| Voltage | DC 12V/24V |  |  |
| Power | 86.4W/100.8W | | |
| Chip | UCS1912 | | |
| LED | SMD 5050 | | |
| LEDs Quantity | 288 or 336 | | |
| Color | RGB | | |
| IP Rating | IP66 | | |

RGB Auto

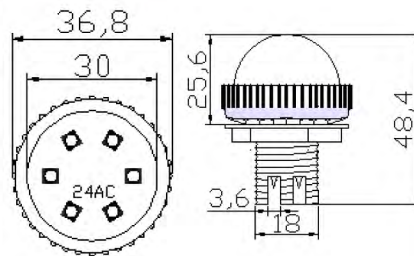
IC219-35-Auto



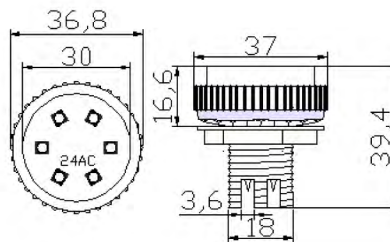
| | |
|---------------|--------------|
| Voltage | AC 24V |
| Power | 1.44W |
| Program | 1-10 or 1-16 |
| LED | SMD 3535 |
| LEDs Quantity | 6 |
| Color | RGB |
| IP Rating | IP66 |

IC306-Auto-1

| | |
|---------------|--------------|
| Voltage | AC 24V |
| Power | 1.44W |
| Program | 1-10 or 1-16 |
| LED | SMD 3535 |
| LEDs Quantity | 6 |
| Color | RGB |
| IP Rating | IP66 |



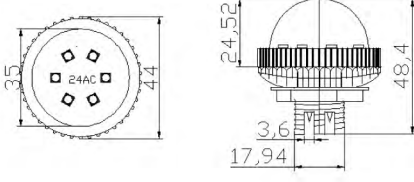

IC306-Auto-2



| | |
|---------------|--------------|
| Voltage | AC 24V |
| Power | 1.44W |
| Program | 1-10 or 1-16 |
| LED | SMD 3535 |
| LEDs Quantity | 6 |
| Color | RGB |
| IP Rating | IP66 |


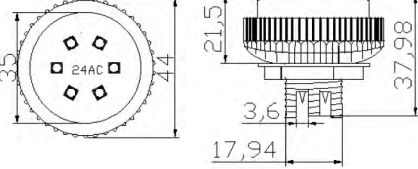
IC356-Auto-2

IC359-Auto-2

| | | | |
|---------------|--------------|--|---|
| Voltage | AC 24V |  |  |
| Power | 1.44W/2.16W | | |
| Program | 1-10 or 1-16 | | |
| LED | SMD 3535 | | |
| LEDs Quantity | 6 or 9 | | |
| Color | RGB | | |
| IP Rating | IP66 | | |

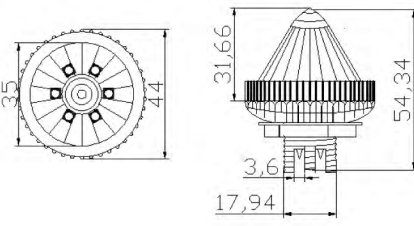

IC356-Auto-3

IC359-Auto-3

| | | | |
|---|--|---------------|--------------|
|  |  | Voltage | AC 24V |
| | | Power | 1.44W/2.16W |
| | | Program | 1-10 or 1-16 |
| | | LED | SMD 3535 |
| | | LEDs Quantity | 6 or 9 |
| | | Color | RGB |
| | | IP Rating | IP66 |


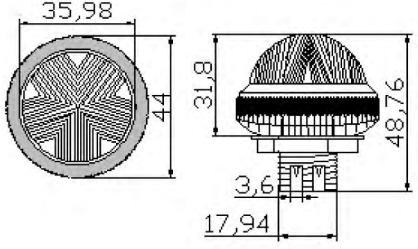
IC356-Auto-4

IC359-Auto-4

| | | | |
|---------------|--------------|--|---|
| Voltage | AC 24V |  |  |
| Power | 1.44W/2.16W | | |
| Program | 1-10 or 1-16 | | |
| LED | SMD 3535 | | |
| LEDs Quantity | 6 or 9 | | |
| Color | RGB | | |
| IP Rating | IP66 | | |

IC356-Auto-5

IC359-Auto-5

| | | | |
|--|---|---------------|--------------|
|  |  | Voltage | AC 24V |
| | | Power | 1.44W/2.16W |
| | | Program | 1-10 or 1-16 |
| | | LED | SMD 3535 |
| | | LEDs Quantity | 6 or 9 |
| | | Color | RGB |
| | | IP Rating | IP66 |

IC459-2-Auto

| | | |
|---------------|--------------|--|
| Voltage | AC 24V | |
| Power | 2.16W | |
| Program | 1-10 or 1-16 | |
| LED | SMD 5050 | |
| LEDs Quantity | 9 | |
| Color | RGB | |
| IP Rating | IP66 | |

IC459-Auto-1

| | | |
|--|---------------|--------------|
| | Voltage | AC 24V |
| | Power | 2.16W |
| | Program | 1-10 or 1-16 |
| | LED | SMD 5050 |
| | LEDs Quantity | 9 |
| | Color | RGB |
| | IP Rating | IP66 |

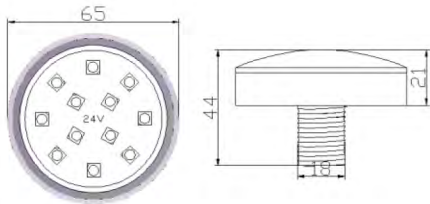

IC459-Auto-2

| | | |
|---------------|--------------|--|
| Voltage | AC 24V | |
| Power | 2.16W | |
| Program | 1-10 or 1-16 | |
| LED | SMD 5050 | |
| LEDs Quantity | 9 | |
| Color | RGB | |
| IP Rating | IP66 | |


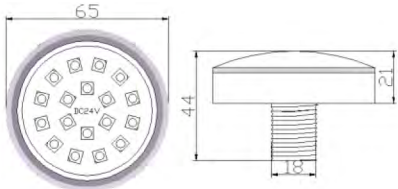
IC4812-Auto

| | | |
|--|---------------|--------------|
| | Voltage | AC 24V/110V |
| | Power | 2.88W |
| | Program | 1-10 or 1-16 |
| | LED | SMD 5050 |
| | LEDs Quantity | 12 |
| | Color | RGB |
| | IP Rating | IP66 |

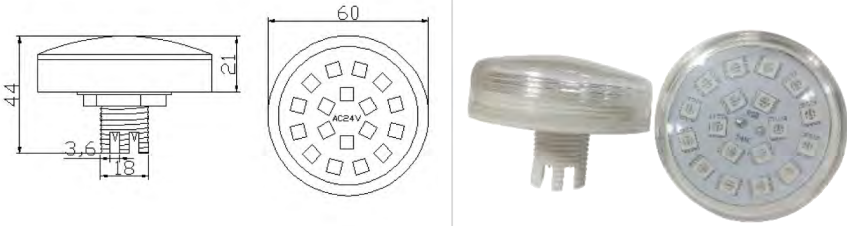
IC6012-2-Auto

| | | | |
|---------------|--------------|--|---|
| Voltage | AC 24V |  |  |
| Power | 2.88W | | |
| Program | 1-10 or 1-16 | | |
| LED | SMD 5050 | | |
| LEDs Quantity | 12 | | |
| Color | RGB | | |
| IP Rating | IP66 | | |


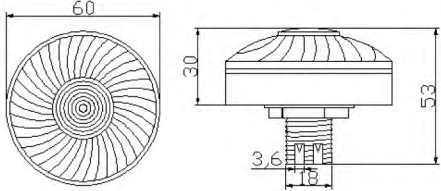
IC6018-2-Auto

| | | | |
|--|--|---------------|--------------|
|  |  | Voltage | AC 24V |
| | | Power | 4.32W |
| | | Program | 1-10 or 1-16 |
| | | LED | SMD 5050 |
| | | LEDs Quantity | 18 |
| | | Color | RGB |
| | | IP Rating | IP66 |

IC6018-Auto-1

| | | |
|---------------|--------------|--|
| Voltage | AC 24V |  |
| Power | 4.32W | |
| Program | 1-10 or 1-16 | |
| LED | SMD 5050 | |
| LEDs Quantity | 18 | |
| Color | RGB | |
| IP Rating | IP66 | |

IC6018-Auto-2

| | | | |
|---|---|---------------|--------------|
|  |  | Voltage | AC 24V |
| | | Power | 4.32W |
| | | Program | 1-10 or 1-16 |
| | | LED | SMD 5050 |
| | | LEDs Quantity | 18 |
| | | Color | RGB |
| | | IP Rating | IP66 |

IC6018G-Auto

| | | | |
|---------------|--------------|--|--|
| Voltage | AC 24V | | |
| Power | 4.32W | | |
| Program | 1-10 or 1-16 | | |
| LED | SMD 5050 | | |
| LEDs Quantity | 18 | | |
| Color | RGB | | |
| IP Rating | IP66 | | |

IC6018S-Auto

| | | |
|--|---------------|--------------|
| | Voltage | AC 24V |
| | Power | 4.32W |
| | Program | 1-10 or 1-16 |
| | LED | SMD 5050 |
| | LEDs Quantity | 18 |
| | Color | RGB |
| | IP Rating | IP66 |

IC6018S-Auto-110V

| | | |
|--|---------------|--------------|
| | Voltage | AC 110V |
| | Power | 5.76W |
| | Program | 1-10 or 1-16 |
| | LED | SMD 5050 |
| | LEDs Quantity | 24 |
| | Color | RGB |
| | IP Rating | IP66 |

A320-Auto

| | | |
|--|---------------|--------------|
| | Voltage | AC 24V |
| | Power | 5.76W |
| | Program | 1-10 or 1-16 |
| | LED | SMD 5050 |
| | LEDs Quantity | 24 |
| | Color | RGB |
| | IP Rating | IP66 |

E10-AC289-Auto

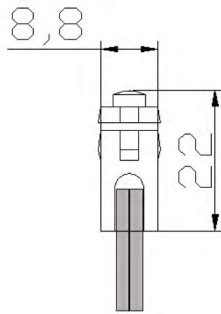
| | | |
|---------------|--------------|--|
| Voltage | AC 24V | |
| Power | 2.16W | |
| Program | 1-10 or 1-16 | |
| LED | SMD 5050 | |
| LEDs Quantity | 9 | |
| Color | RGB | |
| IP Rating | IP44 | |

E14-AC4016-Auto

| | | |
|--|---------------|--------------|
| | Voltage | AC 24V |
| | Power | 3.84W |
| | Program | 1-10 or 1-16 |
| | LED | SMD 5050 |
| | LEDs Quantity | 16 |
| | Color | RGB |
| | IP Rating | IP44 |

Single Color

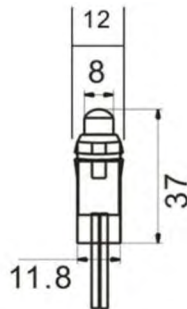
09C



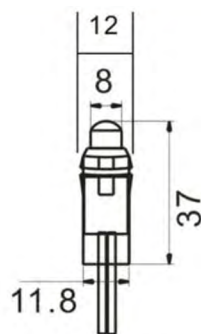
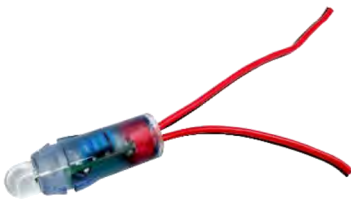
| | |
|---------------|---------------|
| Voltage | DC 5V |
| Power | 0.1W |
| String | 50pcs |
| LED | Straw hat LED |
| LEDs Quantity | 1 |
| Color | R/G/B/Y/W |
| IP Rating | IP66 |

12C

| | |
|---------------|---------------|
| Voltage | DC 5V |
| Power | 0.1W |
| String | 50pcs |
| LED | Straw hat LED |
| LEDs Quantity | 1 |
| Color | R/G/B/Y/W |
| IP Rating | IP66 |



IC12B



| | |
|---------------|---------------|
| Voltage | DC 5V |
| Power | 0.3W |
| String | 50pcs |
| LED | Straw hat LED |
| LEDs Quantity | 1 |
| Color | R/G/B/Y/W |
| IP Rating | IP66 |

219

| | | | |
|---------------|-----------|--|--|
| Voltage | DC 12V | | |
| Power | 0.72W | | |
| LED | SMD 5050 | | |
| LEDs Quantity | 3 | | |
| Color | R/G/B/Y/W | | |
| IP Rating | IP66 | | |

459

| | | | |
|--|--|---------------|-----------|
| | | Voltage | AC 24V |
| | | Power | 1.8W |
| | | LED | SMD 2835 |
| | | LEDs Quantity | 9 |
| | | Color | R/G/B/Y/W |
| | | IP Rating | IP66 |

6018G

| | | | |
|---------------|-----------|--|--|
| Voltage | DC 24V | | |
| Power | 4.32W | | |
| LED | SMD 5050 | | |
| LEDs Quantity | 18 | | |
| Color | R/G/B/Y/W | | |
| IP Rating | IP66 | | |

E10-AC229

| | | | |
|--|--|---------------|-----------|
| | | Voltage | AC 24V |
| | | Power | 1.8W |
| | | LED | SMD 2835 |
| | | LEDs Quantity | 9 |
| | | Color | R/G/B/Y/W |
| | | IP Rating | IP44 |

E10-AC2816

| | | |
|---------------|------------|--|
| Voltage | AC 24V/60V | |
| Power | 3.2W | |
| LED | SMD 2835 | |
| LEDs Quantity | 16 | |
| Color | R/G/B/Y/W | |
| IP Rating | IP44 | |

E10-AC3212

| | | |
|--|---------------|------------|
| | Voltage | AC 24V/60V |
| | Power | 2.4W |
| | LED | SMD 2835 |
| | LEDs Quantity | 12 |
| | Color | R/G/B/Y/W |
| | IP Rating | IP44 |

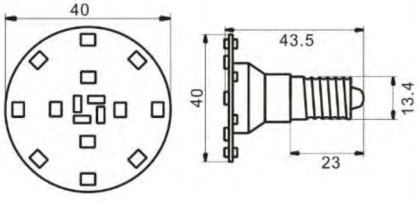

E10-AC3216

| | | |
|---------------|------------|--|
| Voltage | AC 24V/60V | |
| Power | 3.2W | |
| LED | SMD 2835 | |
| LEDs Quantity | 16 | |
| Color | R/G/B/Y/W | |
| IP Rating | IP65 | |


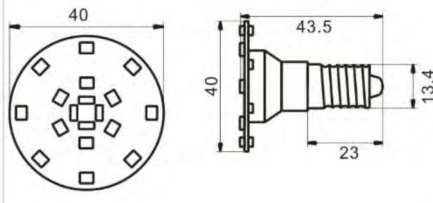
E14-AC3212

| | | |
|--|---------------|------------|
| | Voltage | AC 24V/60V |
| | Power | 2.4W |
| | LED | SMD 2835 |
| | LEDs Quantity | 12 |
| | Color | R/G/B/Y/W |
| | IP Rating | IP44 |

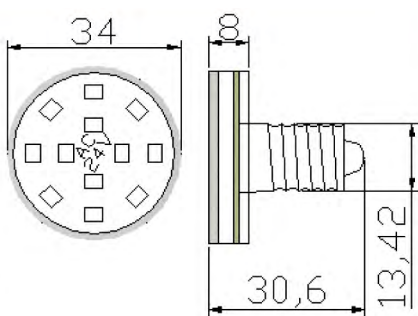

E14-AC4016

| | | | |
|---------------|------------|--|---|
| Voltage | AC 24V/60V |  |  |
| Power | 3.2W | | |
| LED | SMD 2835 | | |
| LEDs Quantity | 16 | | |
| Color | R/G/B/Y/W | | |
| IP Rating | IP44 | | |

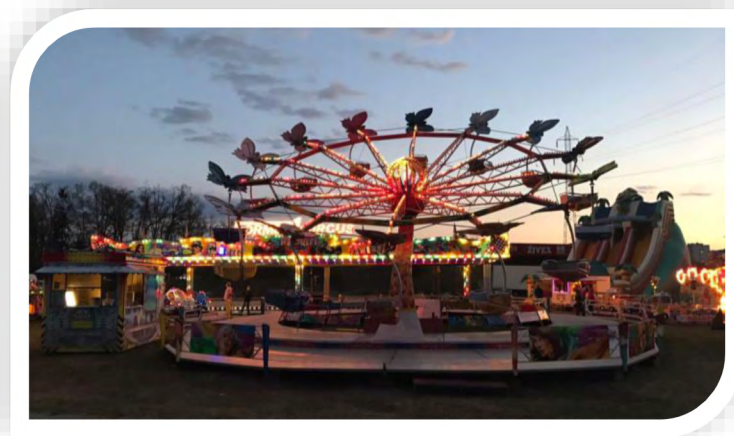
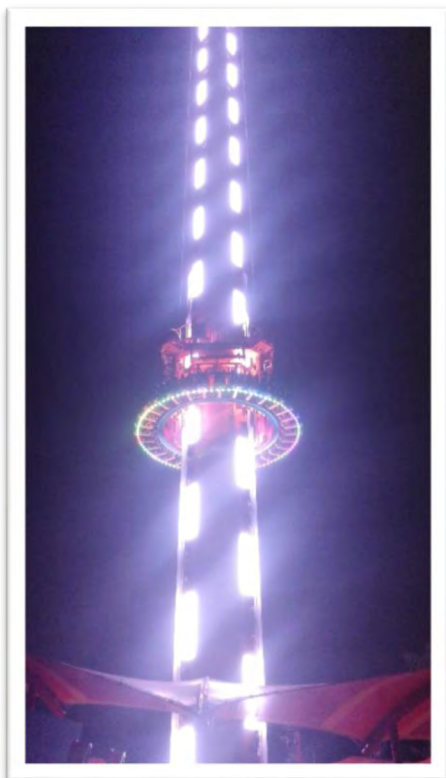
E14-AC4020

| | | | |
|---|--|---------------|------------|
|  |  | Voltage | AC 24V/60V |
| | | Power | 4W |
| | | LED | SMD 2835 |
| | | LEDs Quantity | 20 |
| | | Color | R/G/B/Y/W |
| | | IP Rating | IP44 |

E14-AC3216

| | | | |
|---------------|------------|--|---|
| Voltage | AC 24V/60V |  |  |
| Power | 3.2W | | |
| LED | SMD 2835 | | |
| LEDs Quantity | 16 | | |
| Color | R/G/B/Y/W | | |
| IP Rating | IP65 | | |

Applications





Les Nouveaux Exportateurs

Office 3,10/F WITTY COMMERCIAL BUILDING,
1A-1L TUNG CHOI STREET, MONGKOK QUARTER
KOWLOON, HONG KONG

Office: +852 8191 1210

info@lesnouveauxexportateurs.fr