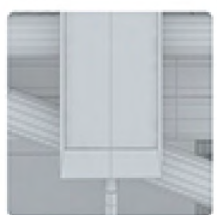
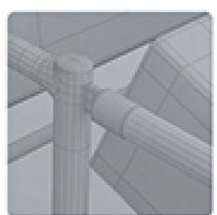




科技
Technology



研发
R & D



制造
Manufacture





Company Profile

CO., LTD, approved by The Medical Administration Bureau and registered in Industrial and Commercial Administration Bureau, is a professional company producing a series of medical equipment such as nursing beds, trolleys, cupboards, tables, racks and so on. The company occupies 123,000 square meters in total and the building area covers 92,000 square meters. And we own advanced techniques and producing equipment, more than 560 staff and 180 engineers, also we have 16 standardized workshops and 2 automatic spray coating lines. Therefore, we can completely and independently meet various kinds of needs of different hospitals in different areas .

Presently, our company has more than ten series of products and over 300 kinds of items. In 2006, we got the honor of " famous brand in Province" The brand "Mini-Nurse®" was awarded the celebrated brand. In the Past years, we have been awarded many provincial prizes continuously, including "Quality-and-Service-Satisfying Enterprise", "The Client- Trusted Enterprise", "The Best Contractor".

Facing the new opportunity and challenge, we put forward the slogan of "Quality Is Life, Management Is Fundamentality" to adapt to the changes of the market. We will try our best to practice the managing idea "To be The Best in Quality and Reputation" and supply you with superior goods and services. We are anticipating the cooperation with you.



中美合资420米双线喷涂流水线 Sino-American Joint Investment 420m Double Spraying Line



数控转塔冲 NCT Punch Press



激光加工中心组 Laser Processing Center



机器人组 Automatic Welding Machine



注塑中心 Injection Molding Machine Center



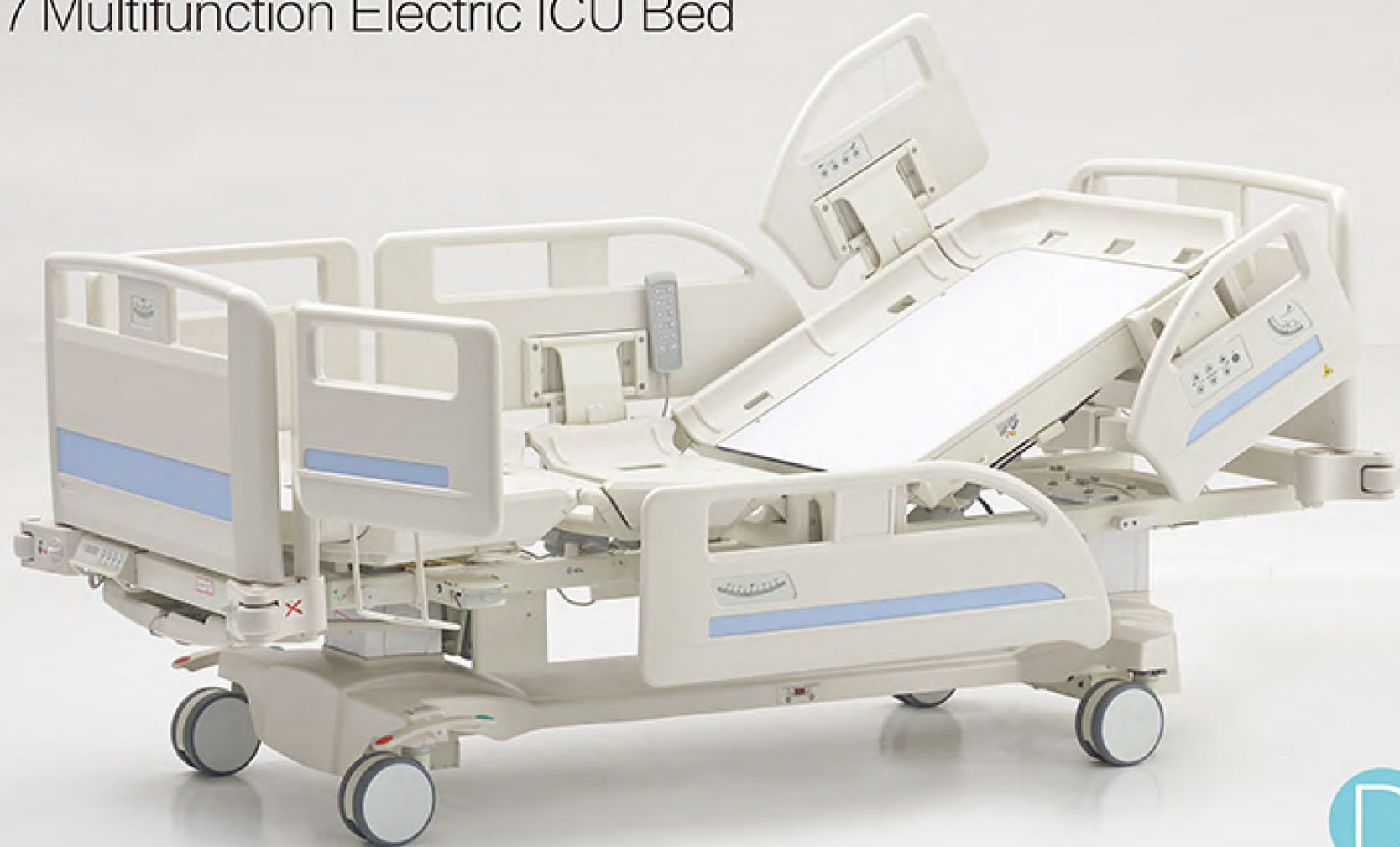
加工中心 Milling Machining Center

Multi-function Electric ICU Bed Series
DA-7 电动病床系列



DA-7 电动病床

DA-7 Multifunction Electric ICU Bed



技术特征: Technical features

外形尺寸 (护栏升起) Outer dimensions (Side rails up)	L2240*W1055mm (±10mm)
床面: Mattress platform	L1965*W920mm (±10mm)
床面高度 Bed height	H520-920mm (±10mm)
床的拉伸 Bed extension	200mm (±10mm)
最大靠背角度 Maximum backrest angle	≥70°
最大腿脚角度 Maximum thigh rest	≥30°
前后倾斜角度 TR/ATR	≥12°
左右倾斜角度 left and right tilt	≥15°
护栏高度 (床面之上) Height of side rails (above mattress platform)	440mm (±10mm)
安全载荷 Safe working load:	200kgs

电气参数: Electric parameters:

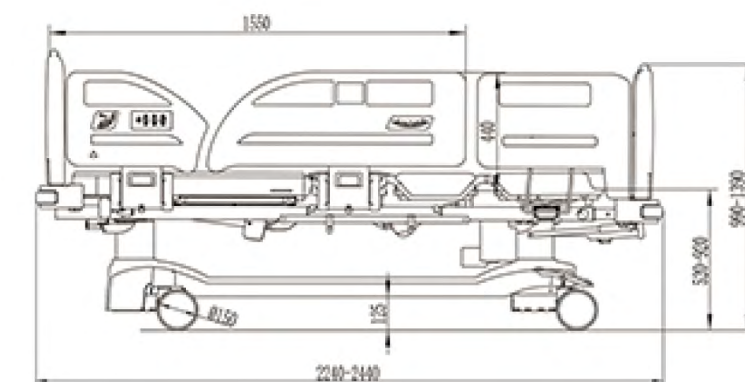
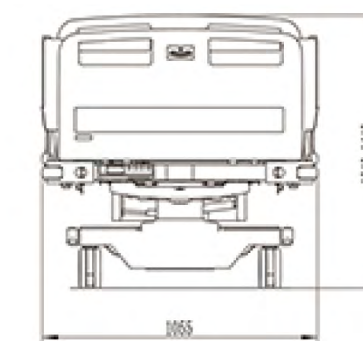
电源 Power supply	220V/110V, 50HZ / 60HZ
最大输入功率Maximum input	1.6A, 450VA
防水防尘等级 Protection against water and dust	IPX4
设备分类Equipment classification	II类 Class II
电气伤害防护等级 Level of protection against injury from electrical current	BF类 Applied part type BF
电机运行模式 (负荷系数) Electric motor operation mode (load factor)	10%, 最大2min/18min 10%, max. 2 min/18 min

质量认证: Certificates

普康公司符合以下标准和质量管理体系:
Pukang Medical is certified according to European norms and quality system:
EN ISO 9001: 2008, EN ISO 13485: 2003 EN ISO 14001: 2005

本款产品符合以下欧洲医疗技术和医用病床标准:
Products are manufactured according to European norms for medical technology and hospital beds
EN 60601-1, EN60601-1-2, EN ISO 14971, 93/42/EEC, 90/384/EEC EN60601-2-52, 2009

外形尺寸示意图 Dimensions



Standard configuration

- 1.Split Side Rails:** The 4pcs PP side rails provide the patient with protection against falls and the 2 pcs additional side rails near foot board offer more safety service and also provide the support during patient's stand.
- 2.Integrated Scales system:** The in-bed scales control panel located under the foot end is protected against impacts.
- 3.Removable Mattress Platform:** The Mattress platform is plastic boards which can be easy removable and easy for sterilization. The mattress platform can do X-ray for back board and offer the patient's more comfortable.
- 4.Central Nurse Control System:** The nurse or supervisor can adjust all the positions and find the comfortable and proper positions for the patients.
- 5.Columns Motor System:** Electric lifting units in two columns enable the mattress platform height adjustment and TR&ATR positions, which can also ensure the bed's stability.
- 6.Controls In The Side Rails:** Controls in the side rails increase the patient's independence so that the patients can operate it according to the self-requirement.
- 7.Bed Extension:** The integrated bed extension adjusts the mattress platform length to the individual patient's height.
- 8.Linen Shelf:** The linen shelf at the bottom of foot end also stores the supervisor panel
- 9.H/F Boards Locks:** The bed board locks prevent accidental removal of the bed boards when steering or handling the bed.
- 10.X-Ray Cassette Holder:** The holder's special sliding construction allows the cassette to be comfortably inserted beneath the mattress platform from the side of the bed.
- 11.Manual/Electric CPR:** The electric CPR is easy and convenience to operate that is one key control. And the manual CPR is equipped with damping device, which can let the back rest fall down slowly to ensure the safety of the patient when the power is off, the whole process can be single hand operation.



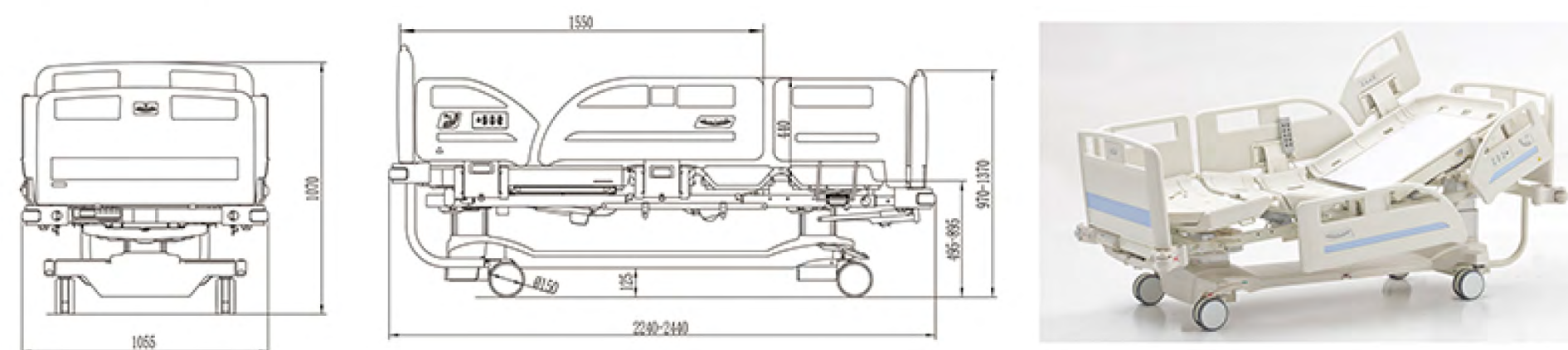
DA-7 电动病床

DA-7 Multifunction Electric ICU Bed



外形尺寸示意图

Dimensions



Standard configuration

- 1.Constant Height Head Ends:** Fixed height head end enables quick and easy access to the patient's head, neck and thorax.
- 2.Split Side Rails:** The 4pcs PP side rails provide the patient with protection against falls and the 2 pcs additional side rails near foot board offer more safety service and also provide the support during patient's stand.
- 3.Integrated Scales system:** The in-bed scales control panel located under the foot end is protected against impacts.
- 4.Removable Mattress Platform:** The Mattress platform is PP and phenolic resin boards which can be easy removable and easy for sterilization. The mattress platform can do X-ray for back board and offer the patient's more comfortable.
- 5.Central Nurse Control System:** The nurse or supervisor can adjust all the positions and find the comfortable and proper positions for the patients.
- 6.Columns Motor System:** Electric lifting units in two columns enable the mattress platform height adjustment and TR&ATR positions, which can also ensure the bed's stability.
- 7.Controls In The Side Rails:** Controls in the side rails increase the patient's independence so that the patients can operate it according to the self-requirement.
- 8.H/F Boards Locks:** The bed board locks prevent accidental removal of the bed boards when steering or handling the bed.
- 9.X-Ray Cassette Holder:** The holder's special sliding construction allows the cassette to be comfortably inserted beneath the mattress platform from the side of the bed, and the position of X-Ray Cassette is adjustable according to the stature of patients.
- 10.Manual/Electric CPR:** The electric CPR is easy and convenience to operate that is one key control. And the manual CPR is equipped with damping device, which can let the back rest fall down slowly to ensure the safety of the patient when the power is off, the whole process can be single hand operation.



技术特征: Technical features	
外形尺寸 (护栏升起) Outer dimensions (Side rails up)	L2240*W 1055mm (± 10mm)
床面: Mattress platform	L1965*W920mm (± 10mm)
床面高度 Bed height	H495-895mm (± 10mm)
床的拉伸 Bed extension	200mm (± 10mm)
最大靠背角度 Maximum backrest angle	≥70°
最大屈腿角度 Maximum thigh rest	≥30°
前后倾斜角度 TR/ATR	≥12°
护栏高度 (床面之上) Height of side rails (above mattress platform)	440mm (± 10mm)
安全载荷 Safe working load:	200kgs

电气参数: Electric parameters:	
电源 Power supply	220V/110V, 50HZ / 60HZ
最大输入功率Maximum input	1.6A, 450VA
防护等级Protection against water and dust	IPX4
设备分类Equipment classification	II类 Class II
电气伤害防护等级 Level of protection against injury from electrical current	BF类 Applied part type BF
电机运行模式 (负荷系数) Electric motor operation mode (load factor)	10%, 最大2min/18min 10%, max. 2 min/18 min
质量认证:Certificates 普康公司符合以下标准和质量管理体系: Pukang Medical is certified according to European norms and quality system: EN ISO 9001: 2008, EN ISO 13485: 2003 EN ISO14001: 2005	本产品符合以下欧洲医疗技术和医用病床标准: Products are manufactured according to European norms for medical technology and hospital beds EN 60601-1, EN60601-1-2, EN ISO 14971, 93/42/EEC,90/384/EEC EN60601-2-52, 2009

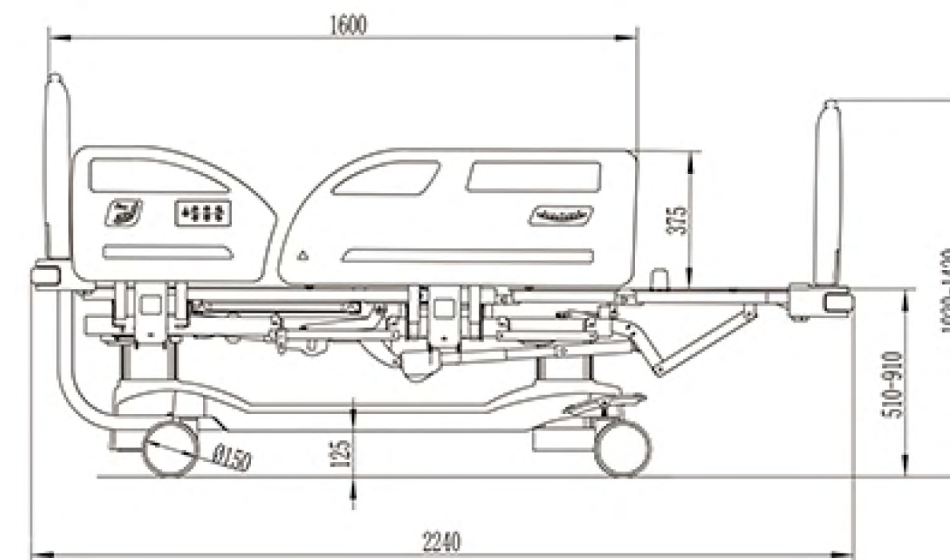
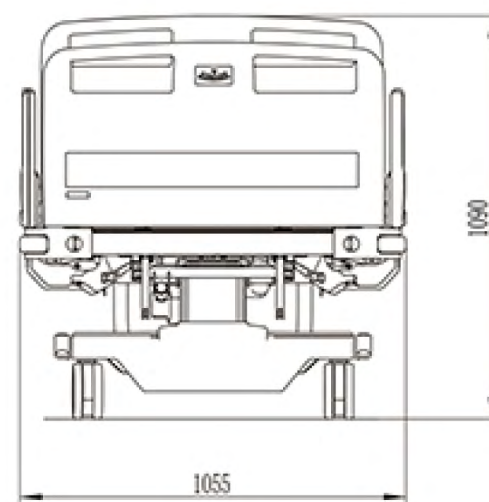
DA-7 电动病床

DA-7 Multifunction Electric ICU Bed



外形尺寸示意图

Dimensions



Standard configuration

- 1.Constant Height Head Ends:** Fixed height head end enables quick and easy access to the patient's head, neck and thorax.
- 2.Split Side Rails:** The 4pcs PP side rails provide the patient with protection against falls.
- 3.Removable Mattress Platform:** The Mattress platform is phenolic resin boards which can be easy removable and easy for sterilization. The mattress platform can do X-ray for back board and offer the patient's more comfortable.
- 4.Central Nurse Control System:** The nurse or supervisor can adjust all the positions and find the comfortable and proper positions for the patients.
- 5.Columns Motor System:** Electric lifting units in two columns enable the mattress platform height adjustment and TR&ATR positions, which can also ensure the bed's stability.
- 5.Controls In The Side Rails:** Controls in the side rails increase the patient's independence so that the patients can operate it according to the self-requirement.
- 7.H/F Boards Locks:** The bed board locks prevent accidental removal of the bed boards when steering or handling the bed.
- 8.X-Ray Cassette Holder:** The holder's special sliding construction allows the cassette to be comfortably inserted beneath the mattress platform from the side of the bed, and the position of X-Ray Cassette is adjustable according to the stature of patients.
- 9.Manual/Electric CPR:** The electric CPR is easy and convenience to operate that is one key control. And the manual CPR is equipped with damping device, which can let the back rest fall down slowly to ensure the safety of the patient when the power is off, the whole process can be single hand operation.



技术特征: Technical features	
外形尺寸 (护栏升起) Outer dimensions (Side rails up)	L2240*W 1055mm (± 10mm)
床面: Mattress platform	L1960*W900mm (± 10mm)
床面高度 Bed height	H510-910mm (± 10mm)
最大靠背角度 Maximum backrest angle	≥70°
最大屈腿角度 Maximum thigh rest	≥60°
前后倾斜角度 TR/ATR	≥12°
护栏高度 (床面之上) Height of side rails (above mattress platform)	380mm (± 10mm)
安全载荷 Safe working load:	200kgs

电气参数: Electric parameters:	
电源 Power supply	220V/110V, 50HZ / 60HZ
最大输入功率Maximum input	1.6A, 450VA
防护等级Protection against water and dust	IPX4
设备分类Equipment classification	II类 Class II
电气伤害防护等级 Level of protection against injury from electrical current	BF类 Applied part type BF
电机运行模式 (负荷系数) Electric motor operation mode (load factor)	10%, 最大2min/18min 10%, max. 2 min/18 min
质量认证:Certificates 普康公司符合以下标准和质量管理体系: Pukang Medical is certified according to European norms and quality system: EN ISO 9001: 2008, EN ISO 13485: 2003 EN ISO14001: 2005	本款产品符合以下欧洲医疗技术和医用病床标准: Products are manufactured according to European norms for medical technology and hospital beds EN 60601-1, EN60601-1-2, EN ISO 14971, 93/42/EEC,90/384/EEC EN60601-2-52, 2009

DA-2 电动病床

DA-2 Multifunction Electric ICU Bed



Standard configuration

1. **Split Side Rails:** The 4pcs PP side rails provide the patient with protection against falls
2. **Removable Mattress Platform:** easy removable and easy for sterilization.
3. **H/F Boards Locks:** The bed board locks prevent accidental removal of the bed boards when steering or handling the bed.
4. **Protective corner bumpers**
5. **Lifting pole or infusion stand holes**
6. **Mattress holders**
7. **Angle gauge:** The angle gauges of side rails in the head and foot direction show the angles of the backrest and the tilt of the whole bed mattress platform respectively.
8. **Extension of the bed:** The integrated bed extension adjusts the mattress platform length to the individual patient's height.
9. **Four 125m in diameter castors with central locking system**
10. **Manual CPR:** The electric CPR is equipped with damping device, which can let the back rest fall down slowly to ensure the safety of the patient when the power is off, the whole process can be single hand operation.

技术特征: Technical features

外形尺寸 (护栏升起) Outer dimensions (Side rails up)	L2220*W 1075mm (± 10mm)
床面 Mattress platform	L1960*W900mm (± 10mm)
床面高度 Bed height	H440-760mm (± 10mm)
床的拉伸 Bed extension	200mm (± 10mm)
最大靠背角度 Maximum backrest angle	≥ 70°
最大屈腿角度 Maximum thigh rest	≥ 25°
前后倾斜角度 TR/ATR	≥ 12°
护栏高度 (床面之上) Height of side rails (above mattress platform)	380mm (± 10mm)
安全载荷 Safe working load:	200kgs

质量认证: Certificates

普康公司符合以下标准和质量管理体系:
Pukang Medical is certified according to European norms and quality system:
EN ISO 9001; 2008, EN ISO 13485; 2003 EN ISO 14001; 2005

本款产品符合以下欧洲医疗技术和医用病床标准:
Products are manufactured according to European norms for medical technology and hospital beds
EN 60601-1; EN60601-1-2; EN ISO 14971; 93/42/EEC, 90/384/EEC EN60601-2-52; 2009

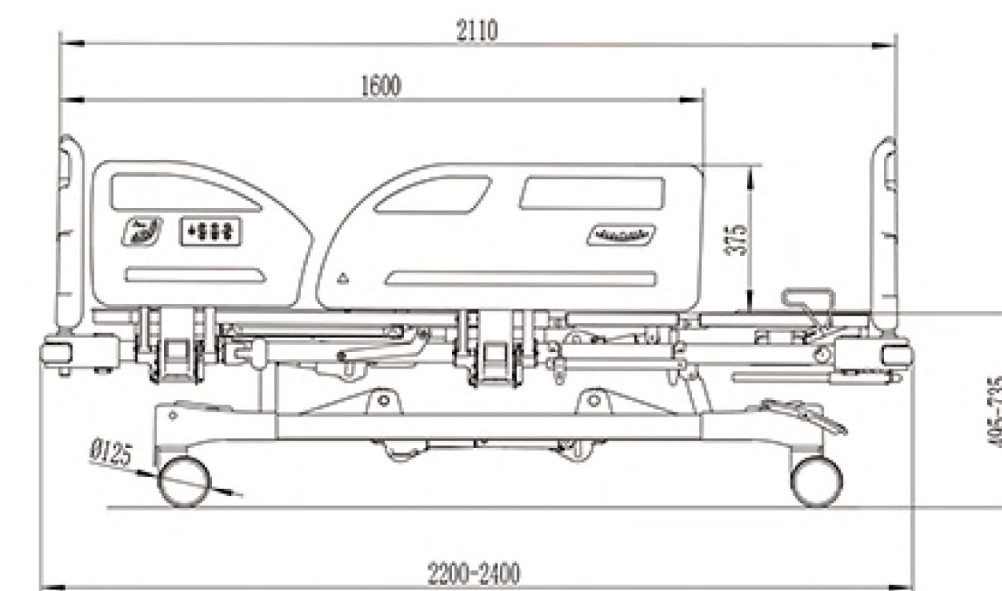
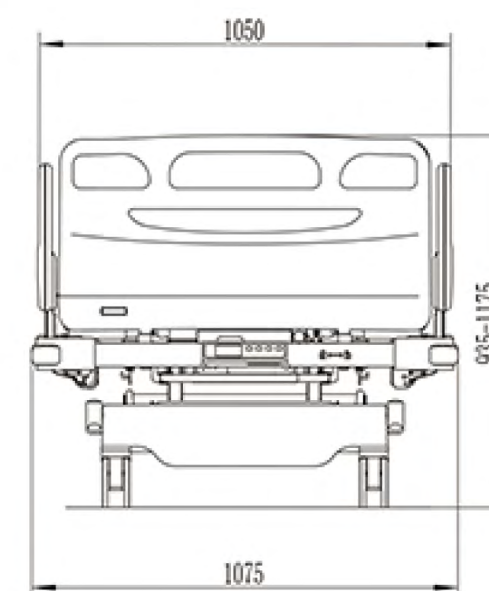
DA-2 电动病床

DA-2 Multifunction Electric ICU Bed



外形尺寸示意图

Dimensions



Standard configuration

- 1.Split Side Rails:** The 4pcs PP side rails provide the patient with protection against falls
- 2.Removable Mattress Platform:** easy removable and easy for sterilization. The mattress platform can do X-ray for back board and offer the patient's more comfortable.
- 3.H/F Boards Locks:** The bed board locks prevent accidental removal of the bed boards when steering or handling the bed.
- 4.Protective corner bumpers**
- 5.Lifting pole or infusion stand holes**
- 6.Mattress holders**
- 7.Angle gauge:**The angle gauges of side rails in the head and foot direction show the angles of the backrest and the tilt of the whole bed mattress platform respectively.
- 8.Extension of the bed:** The integrated bed extension adjusts the mattress platform length to the individual patient's height.
- 9.Integrated Scales system:** The in-bed scales control panel located under the foot end is protected against impacts.
- 10.Four 125mm in diameter castors with central locking system**
- 11.Manual CPR:**The electric CPR is equipped with damping device, which can let the back rest fall down slowly to ensure the safety of the patient when the power is off, the whole process can be single hand operation.



技术特征: Technical features	
外形尺寸 (护栏升起) Outer dimensions (Side rails up)	L2200*W 1075mm (± 10mm)
床面: Mattress platform	L1960*W900mm (± 10mm)
床面高度 Bed height	H495-735mm (± 10mm)
床的拉伸 Bed extension	200mm (± 10mm)
最大靠背角度 Maximum backrest angle	≥70°
最大屈腿角度 Maximum thigh rest	≥25°
前后倾斜角度 TR/ATR	≥12°
护栏高度 (床面之上) Height of side rails (above mattress platform)	380mm (± 10mm)
安全载荷 Safe working load:	200kgs

电气参数: Electric parameters:		
电源 Power supply		220V/110V, 50HZ / 60HZ
最大输入功率Maximum input		1.6A, 450VA
防护等级Protection against water and dust		IPX4
设备分类Equipment classification		II类 Class II
电气伤害防护等级 Level of protection against injury from electrical current		BF类 Applied part type BF
电机运行模式 (负荷系数) Electric motor operation mode (load factor)		10%, 最大2min/18min 10%, max. 2 min/18 min
质量认证:Certificates		
普康公司符合以下标准和质量管理体系: Pukang Medical is certified according to European norms and quality system: EN ISO 9001; 2008, EN ISO 13485; 2003 EN ISO14001; 2005		本款产品符合以下欧洲医疗技术和医用病床标准: Products are manufactured according to European norms for medical technology and hospital beds EN 60601-1, EN60601-1-2, EN ISO 14971, 93/42/EEC,90/384/EEC EN60601-2-52; 2009

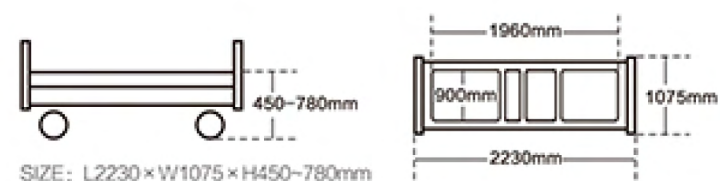
Three-function Manual Bed A-1 手动病床

标准配置

- HP-2 款床头一副
- PP 阻尼升降护栏四个
- 摇杆系统三套
- 输液插孔四个
- 引流挂钩四个
- 豪华中控轮四个

Standard Configurations

- One pair of H/F boards(HP-2)
- Tuck-away PP engineering plastic side rails (4)
- ABS Tuck-away crank handles (3)
- I.V Pole holes (4)
- Drainage Hooks (4)
- Luxurious four dia.-125mm castors, with central locking system



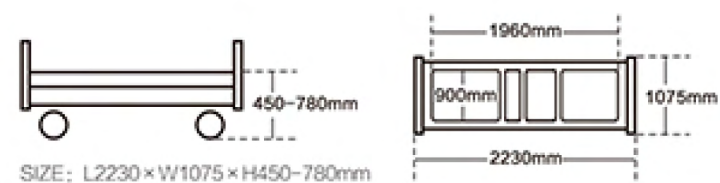
Three-function Manual Bed A-1 手动病床

标准配置

- HP-2 款床头一副
- 钢制折叠护栏两个
- 摇杆系统三套
- 输液插孔四个
- 引流挂钩四个
- 豪华中控轮四个

Standard Configurations

- One pair of H/F boards (HP-2)
- Steel folding side rails
- ABS Tuck-away crank handles (3)
- I.V Pole holes (4)
- Drainage Hooks (4)
- Luxurious four dia. -125mm castors, with central locking system



SIZE: L2230 × W1075 × H450-780mm





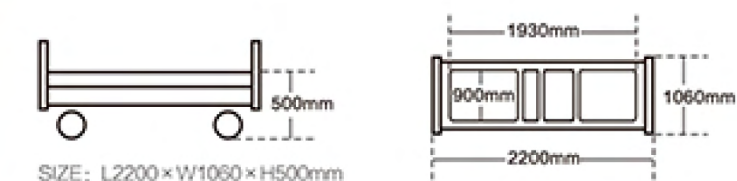
Full-fowler Manual Bed B-6 手动病床

标准配置

- HP-2 款床头一副
- PP 阻尼升降护栏四个
- 摇杆系统两套
- 输液插孔四个
- 引流挂钩四个
- 豪华中控轮四个

Standard Configurations

- One pair of H/F boards(HP-2)
- Tuck-away PP engineering plastic side rails (4)
- ABS Tuck-away crank handles (2)
- I.V Pole holes (4)
- Drainage Hooks (4)
- Luxurious four dia. - 125mm castors, with central locking system



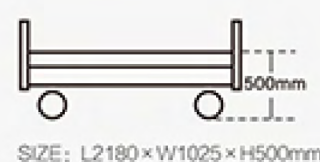
B-10 手动病床

B-10 Full-fowler Manual Bed

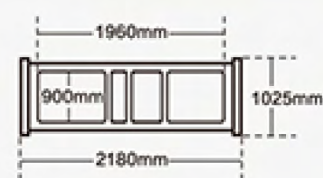


B-11 手动病床

B-11 Full-fowler Manual Bed



SIZE: L2180 x W1025 x H500mm



标准配置

- HP-2 款床头一副
- 铝合金折叠护栏一副
- 摇杆系统两套
- 整体板面
- 输液插孔四个
- 引流挂钩二个
- 豪华中控轮四个

Standard Configurations

- One pair of H/F boards (HP-2)
- One pair of Aluminum alloy collapsible side rails
- ABS Tuck-away crank handle system (2)
- Molded bed board with ventilation holes
- I.V Pole holes (4)
- Drainage Hooks (2)
- Luxurious four dia.-125mm castors, with central locking system

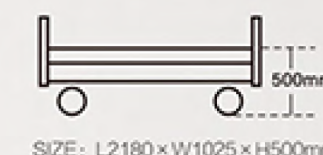


标准配置

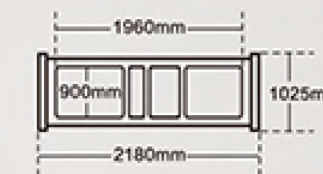
- HP-2 款床头一副
- 铝合金折叠护栏一副
- 摇杆系统两套
- 整体板面
- 输液插孔四个
- 引流挂钩二个
- 125 单刹轮四个

Standard Configurations

- One pair of H/F boards (HP-2)
- One pair of Aluminum alloy collapsible side rails
- ABS Tuck-away crank handle system (2)
- Molded bed board with ventilation holes
- I.V Pole holes (4)
- Drainage Hooks (2)
- Dia.125mm castors with individual brakes (4)



SIZE: L2180 x W1025 x H500mm



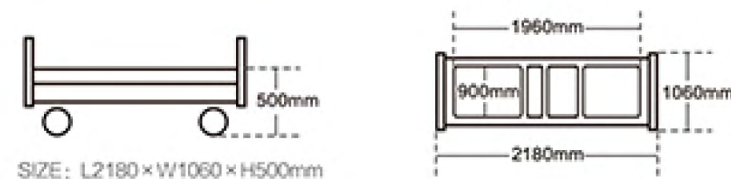
Two-function Child Manual Bed B-35 儿童手动病床

标准配置

- HP-2 款床头一副
- 钢制提拉护栏一副
- 摇杆系统两套
- 整体板面
- 输液插孔四个
- 引流挂钩四个
- 豪华中控轮四个

Standard Configurations

- One pair of PP H/F boards (HP-2)
- One pair of steel side rails
- ABS Tuck-away crank handle system (2)
- Molded bed board with ventilation holes
- I.V Pole holes (4)
- Drainage Hooks (4)
- Luxurious four dia.=125mm castors, with central locking system



Full-fowler orthopaedics bed with ABS head/foot board C-7 骨科手动病床

标准配置

- 月版床头一副
- 铝合金护栏一副
- 摇杆系统两套
- 整体板面
- 不锈钢牵引架一套
- 输液插孔四个
- 引流挂钩二个
- 125 双面单制轮四个

Standard Configurations

- One pair of H/F boards (B)
- One pair of Aluminum alloy collapsible side rails
- ABS Tuck-away crank handle system (2)
- Molded bed board with ventilation holes
- Stainless steel traction frame
- I.V Pole holes (4)
- Drainage Hooks (2)
- Dia.125mm castors with individual brakes (4)



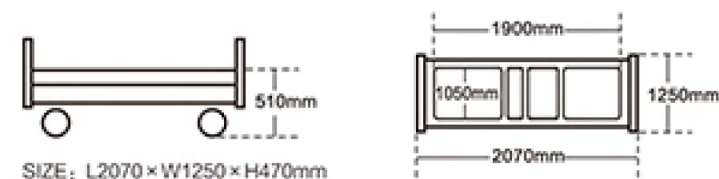
Two-function Electric Bed DA-11 VIP 电动病床

标准配置

- 木质床头及围板一套
- 铝合金折叠护栏一副
- 控制手柄一个
- 电机二个
- 木质床头柜一个
- 输液插孔四个

Standard Configurations

- One pair of Wooden H/F board and dam- board
- One pair of aluminum alloy collapsible side rails
- Handle control(1)
- Motors (2)
- Wooden bedside cabinet (1)
- I.V Pole holes (4)



V1



V2

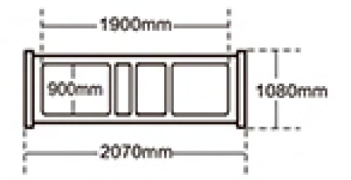
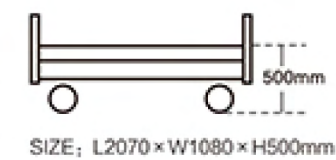
Two-function Electric Bed DA-11 VIP 电动病床

标准配置

- 木质床头及围板一套
- 铝合金折叠护栏一副
- 控制手柄一个
- 电机二个
- 木质床头柜一个
- 输液插孔四个
- ϕ 125 双面单制轮四个

Standard Configurations

- One pair of Wooden H/F board and dam-board
- One pair of aluminum alloy collapsible side rails
- Handle control(1)
- Motors (2)
- Wooden bedside cabinet (1)
- I.V Pole holes (4)
- Dia.125mm castors with individual brakes (4)



Five-function Electric Home Care Bed

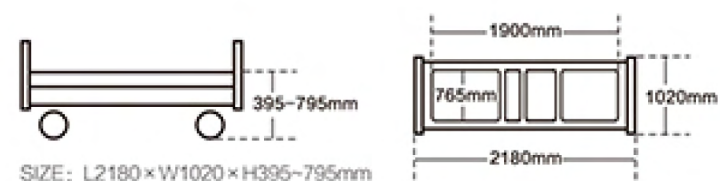
DA-2 电动病床

标准配置

- 木质床头及围板一套
- 木质护栏一副
- 控制手柄一个
- 电机四个
- 输液插孔两个
- $\Phi 125$ 单制轮四个

Standard Configurations

- One pair of Wooden H/F board and dam- board
- One pair of Wooden side rails
- Handle control(1)
- 4Motors(4)
- I.V Pole holes (2)
- Dia.125mm castors with individual brakes (4)





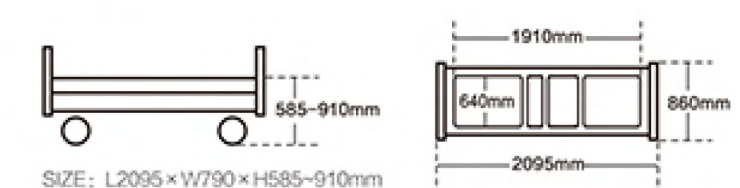
Luxurious hydraulic stretcher E-8 豪华液压平车

标准配置

- 整板面为可透 X 光材质，升降采用进口双气压升降系统。
- 中控刹车系统，定向轮使平车行驶稳定直行。
- 车身升降、倾斜及反倾斜由床体两侧踏板操作，使用方便。
- 车尾设有中央控制刹车踏板；底罩采用 ABS 材质一体成型，方便清理。
- 配铝合金倾倒式护栏、输液架、引流挂钩。
- 是急诊室、ICU 病房推运病人及当急诊床、ICU 床的最佳选择。

Standard Configurations

- The main platform of the stretcher which is equipped with imported double rise-and-fall hydraulic pump systems is made of X-ray revealed material.
- Central locking system and the fifth steering castor make the stretcher move steadily, reliably and lightly.
- The stretcher has the functions of hi-low, Trendelenburg and reverse Trendelenburg which are controlled by the treadles lying at the two sides of the stretcher.
- The rear of the stretcher has the the central locking treadles, the bottom cover is made of ABS material and shaped once for all which can be easily cleaned.
- The stretcher is equipped with infusion poles, drainage hooks and collapsible aluminum alloy side rails.
- It is the best choice for emergency room and ICU ward for transferring patient.



Luxurious stretcher E-3 豪华平车

标准配置

- 平车面及护栏采用 ABS 材质一次成型。
- 背板升降选用液压助力弹簧。
- 平车手摇柄 (螺杆配有离合装置) 可调整车面高度。
- $\Phi 150\text{mm}$ 中控轮
- 配定向轮

Standard Configurations

- Both of the platform and side rails are made of ABS material shaped once for all.
- Backrest is controlled by hydraulic auxiliary gas spring.
- Height adjustable is operated by crank.
- Dia.150mm castors with central locking system.
- To be equipped with steering castor.



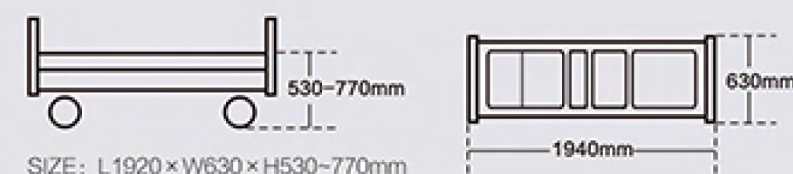
Electric examination bed DB-40 电动诊查床

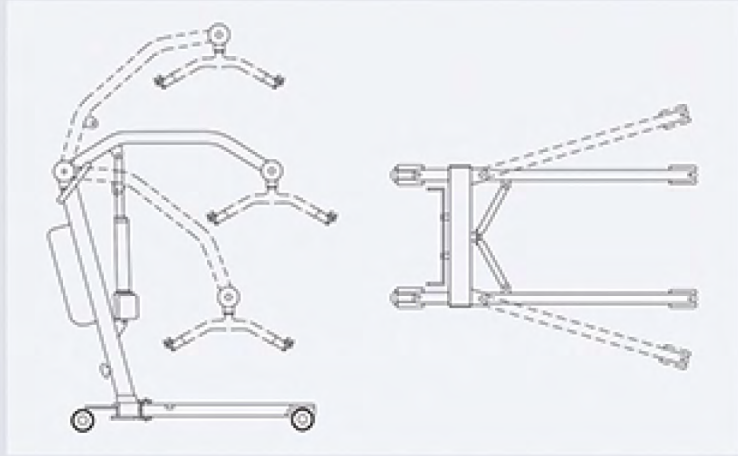
标准配置

- 发泡床面一套
- 电机一个
- 控制手柄一个
- $\Phi 125$ 单制轮四个

Standard Configurations

- A set of foam mattress
- Motor (1)
- Handle control (1)
- Dia.125mm castors with individual brakes (4)





适用范围 Applications:

- 产品适用于长期卧床，行动不便或手术后不能移动的患者在看护人员的陪护下使用，医院、护理中心或家庭均可使用。照护者单人操作即可抬起或移动病人，省力设计还可避免照护者因施力不当造成的腰背受伤。
- Lifter is applicable to long-term bed-ridden patients and the patients who suffer from mobility problems or immobility after operation and can be used with the help of caregivers in hospital and care center or at home. Caregivers can be operated by a single person to lift or move the patient, saving design can avoid back injury caused by operation .

- The main frame is made of high-strength steel tube with powder coating on surface. It is featured by front universal trundle, rear brake trundle, adjustable width of leg of foot stand, safe and reliable suspension pocket and emergency release lowering device, and the patients can be put down in case of depleted battery or motor fault.



DE-1 电动移位机 Electric mobile patient lift

医用车 Medical Stretchers



Luxury trolley for record (50Shelves)
F-13-3 豪华病历夹车 50 格

SIZE: L650×W400×H1030mm

Structure Monobloc en aluminum, ABS top,
50 shelves with serial No. (lockable),
ABS top drawer (2)
Dia.125 wheels with brakes (4)



Luxury trolley for record (40Shelves)
F-13-S1 豪华病历夹车 40 格

SIZE: L695×W567×H1010mm

Structure Monobloc en aluminum, ABS top,
40 shelves with serial No. (lockable),
Sted top drawer (2) ,
Dia.125 twin wheels with brakes (4), Pumper device (4)



Emergency Trolley

F-46-S2 急救车

SIZE: L695×W567×H1010mm

标准配制

- | | |
|--|--|
| <input type="checkbox"/> ABS 抽屉 5 个 | <input type="checkbox"/> ABS Drawers (5) |
| <input type="checkbox"/> 副操作台 | <input type="checkbox"/> Siding shelf |
| <input type="checkbox"/> 中控锁 1 套 | <input type="checkbox"/> Central locking system (1) |
| <input type="checkbox"/> φ 125 静音轮 4 个 | <input type="checkbox"/> Dia.125 twin wheels with brakes (4) |
| <input type="checkbox"/> 防撞轮 4 个 | <input type="checkbox"/> Anti-Bumper (4) |

Standard Configurations:

标准配件

- | | |
|-------------------------------------|---|
| <input type="checkbox"/> 垃圾桶 2 个 | <input type="checkbox"/> Waste Bin (2) |
| <input type="checkbox"/> 针剂筒挂架 1 个 | <input type="checkbox"/> Needle disposal container holder (1) |
| <input type="checkbox"/> 针剂筒 1 个 | <input type="checkbox"/> Needle disposal container (1) |
| <input type="checkbox"/> 除颤器托盘 | <input type="checkbox"/> Defibrillator shelf |
| <input type="checkbox"/> 心肺复苏板 1 个 | <input type="checkbox"/> CPR board (1) |
| <input type="checkbox"/> 消毒凝胶支架 1 个 | <input type="checkbox"/> Disinfectant holder (1) |
| <input type="checkbox"/> 输液杆 1 个 | <input type="checkbox"/> I.V pole (1) |

Standard Accessories:

选配配件

- | | |
|-----------------------------------|---|
| <input type="checkbox"/> 一次性锁扣 | <input type="checkbox"/> One-time latch |
| <input type="checkbox"/> PVC 软桌面垫 | <input type="checkbox"/> Top mat (PVC) |
| <input type="checkbox"/> 标签盒子 | <input type="checkbox"/> Label box |
| <input type="checkbox"/> 氧气瓶挂架 | <input type="checkbox"/> Oxygen tank holder |
| <input type="checkbox"/> 电源板 | <input type="checkbox"/> Power strip |
| <input type="checkbox"/> 电源板挂架 | <input type="checkbox"/> Power strip holder |
| <input type="checkbox"/> 不锈钢药剂支架 | <input type="checkbox"/> Medicine Cassette holder (Stainless steel) |

Optional:

Anesthesia Trolley

F-1-S1 麻醉车

SIZE: L695×W567×H1010mm

标准配制

- | | |
|--|--|
| <input type="checkbox"/> 钢制抽屉 5 个 | <input type="checkbox"/> Steel Drawers (5) |
| <input type="checkbox"/> 副操作台 | <input type="checkbox"/> Siding shelf |
| <input type="checkbox"/> 中控锁 1 套 | <input type="checkbox"/> Central locking system (1) |
| <input type="checkbox"/> φ 125 静音轮 4 个 | <input type="checkbox"/> Dia.125 twin wheels with brakes (4) |
| <input type="checkbox"/> 防撞轮 4 个 | <input type="checkbox"/> Anti-Bumper (4) |

Standard Configurations:

标准配件

- | | |
|-------------------------------------|---|
| <input type="checkbox"/> 垃圾桶 2 个 | <input type="checkbox"/> Waste Bin (2) |
| <input type="checkbox"/> 针剂筒挂架 1 个 | <input type="checkbox"/> Needle disposal container holder (1) |
| <input type="checkbox"/> 针剂筒 1 个 | <input type="checkbox"/> Needle disposal container (1) |
| <input type="checkbox"/> 消毒凝胶支架 1 个 | <input type="checkbox"/> Disinfectant holder (1) |
| <input type="checkbox"/> 副台面 1 个 | <input type="checkbox"/> Siding shelf (1) |

Standard Accessories:

选配配件

- | | |
|------------------------------------|---|
| <input type="checkbox"/> 一次性锁扣 | <input type="checkbox"/> One-time latch |
| <input type="checkbox"/> PVC 软桌面垫 | <input type="checkbox"/> Top mat (PVC) |
| <input type="checkbox"/> 标签盒子 | <input type="checkbox"/> Label box |
| <input type="checkbox"/> 除颤器托盘 | <input type="checkbox"/> Defibrillator shelf |
| <input type="checkbox"/> 氧气瓶挂架 | <input type="checkbox"/> Oxygen tank holder |
| <input type="checkbox"/> 电源板 | <input type="checkbox"/> Power strip |
| <input type="checkbox"/> 电源板挂架 | <input type="checkbox"/> Power strip holder |
| <input type="checkbox"/> 心肺复苏板 1 个 | <input type="checkbox"/> CPR board (1) |
| <input type="checkbox"/> 不锈钢药剂支架 | <input type="checkbox"/> Medicine Cassette holder (Stainless steel) |

Optional:





Emergency Trolley

F-46-S1 急救车

SIZE: L695×W567×H1010mm

标准配制

- 钢制抽屉 2 个
- 储物柜 1 个
- 副操作台 1 个
- 中控锁 1 套
- φ 125 静音轮 4 个
- 防撞轮 4 个

Standard Configurations:

- Steel Drawers (2)
- Cupboard (1)
- Siding shelf (1)
- Central locking system (1)
- Dia.125 twin wheels with brakes (4)
- Anti-Bumper (4)

标准配件

- 垃圾桶 2 个
- 针剂筒挂架 1 个
- 针剂筒 1 个
- 消毒凝胶支架 1 个
- 输液杆 1 个

Standard Accessories:

- Waste Bin (2)
- Needle disposal container holder (1)
- Needle disposal container (1)
- Disinfectant holder (1)
- I.V pole (1)

选配配件

- 一次性锁扣
- PVC 软桌面垫
- 心肺复苏板 1 个
- 标签盒子
- 除颤器托盘
- 氧气瓶挂架
- 电源板
- 电源板挂架
- 不锈钢药剂支架

Optional:

- One-time latch
- Top mat (PVC)
- CPR board (1)
- Label box
- Defibrillator shelf
- Oxygen tank holder
- Power strip
- Power strip holder
- Medicine Cassette holder (Stainless steel)



Medicine Trolley

F-45-S2 送药车

SIZE: L695×W567×H1010mm

标准配制

- ABS 抽屉 2 个
- 副操作台 1 个
- 中控锁 1 套
- φ 125 静音轮 4 个
- 防撞轮 4 个

Standard Configurations:

- ABS Drawers (2)
- Siding shelf (1)
- Central locking system (1)
- Dia.125 twin wheels with brakes (4)
- Anti-Bumper (4)

标准配件

- 垃圾桶 2 个
- 针剂筒挂架 1 个
- 针剂筒 1 个
- 消毒凝胶支架 1 个
- 输液杆 1 个
- 不锈钢药剂支架 1 套

Standard Accessories:

- Waste Bin (2)
- Needle disposal container holder (1)
- Needle disposal container (1)
- Disinfectant holder (1)
- I.V pole (1)
- Medicine Cassette holder (Stainless steel)

选配配件

- 一次性锁扣
- PVC 软桌面垫
- 标签盒子
- 氧气瓶挂架
- 电源板
- 电源板挂架

Optional:

- One-time latch
- Top mat (PVC)
- Label box
- Oxygen tank holder
- Power strip
- Power strip holder







D-18 K 板床头柜

Bedside cabinet
SIZE: L615×W500×H885mm

- 抽 屉 1 个 01 drawer;
- 储物柜 1 个 01 cupboard ;
- 升降餐桌 1 套 01 height adjustable dining table
- 静音轮 4 个 04 muting castors



D-15 ABS 塑钢床头柜

ABS and steel cabinet
SIZE: L500×W510×H710mm

- 操作台 1 个 01 operation board;
- 抽 屉 1 个 01 drawer;
- 储物柜 1 个 01 cupboard ;
- 毛巾架 2 个 02 towel racks
- 静音轮 4 个 04 muting castors

D-13 K 板床头柜

Bedside cabinet
SIZE: L615×W500×H885mm

- 抽 屉 1 个 01 drawer;
- 储物柜 1 个 01 cupboard ;
- 静音轮 4 个 04 muting castors



D-19 ABS 床头柜

ABS and steel cabinet
SIZE: L475×W475×H750mm

- 操作台 1 个 01 operation board;
- 抽 屉 1 个 01 drawer;
- 储物柜 1 个 01 cupboard ;
- 毛巾架 2 个 02 towel racks
- 静音轮 4 个 04 muting castors

D-14 K 板床头柜

Bedside cabinet
SIZE: L615×W500×H885mm

- 抽 屉 1 个 01 drawer;
- 储物柜 1 个 01 cupboard ;
- 可调地脚 4 个 04 foot bolts



D-10 ABS 塑钢床头柜

ABS and steel cabinet
SIZE: L475×W475×H750mm

- 操作台 1 个 01 operation board;
- 抽 屉 1 个 01 drawer;
- 储物柜 1 个 01 cupboard ;
- 毛巾架 2 个 02 towel racks
- 静音轮 4 个 04 muting castors
- 不锈钢面 1 个 01Stainless steel surface



床垫 Mattress



H-3 经典四折床垫

尺寸: 1930×890/850×80mm

外罩面料: 牛津布面料

床垫内芯: 高密度海绵 / 高密度海绵加天然椰丝

H-3 Classic four-fold mattress

Size: 1930×890/850×80mm

Mattress cover: Oxford material

Mattress filler: High density sponge/High density sponge and Natural coconut fibre



H-8 豪华一体床垫

尺寸: 1930×890×100mm

尺寸: 1930×890×120mm

尺寸: 1930×890×140mm

外罩面料: PVC 防水透气面料

床垫内芯: 高回弹加记忆海绵床垫

H-8 Luxurious integrated mattress

Size: 1930×890×100mm

1930×890×120mm

1930×890×140mm

Mattress cover: PVC waterproof and breathable material

Mattress filler: High resilience sponge and memory foam



H-7 豪华一体床垫

尺寸: 1930×890×100mm

尺寸: 1930×890×120mm

尺寸: 1930×890×140mm

外罩面料: PVC 防水透气面料

床垫内芯: 高回弹海绵

H-7 Luxurious integrated mattress

Size: 1930×890×100mm

1930×890×120mm

1930×890×140mm

Mattress cover: PVC waterproof and breathable material

Mattress filler: High resilience sponge



H-9 防褥疮气垫

尺寸: 1930×890×120mm

外罩面料: PVC 防水透气面料

控制方式: 电动充气泵

H-9 Anti-Pressure Ulcer mattress

Size: 1930×890×120mm

Mattress cover: PVC waterproof and breathable material

Control mode: Electric air inflation pump

○ 床垫的厚度、宽度可根据需方的要求制做。

○ The user-defined width, length and thickness available upon request.

Movable over bed table F-32-1 移动过床餐桌

高密度桌面，耐磨耐油污。铝合金立柱升降系统，
美观稳固 50mm 移动脚轮，灵活方便
上下伸缩范围：670-960mm
工作载荷：15kgs
桌面尺寸：820mm × 400mm

High-density desktop, wear-resistant and oil-resistant;
Aluminum alloy column lift system. Beautiful, steady and solid;
Diameter 50mm mobile casters, flexible and convenient;
High-low: 670-960mm ;
Working load: 15kgs ;
Desktop size: 820mm × 400mm ;



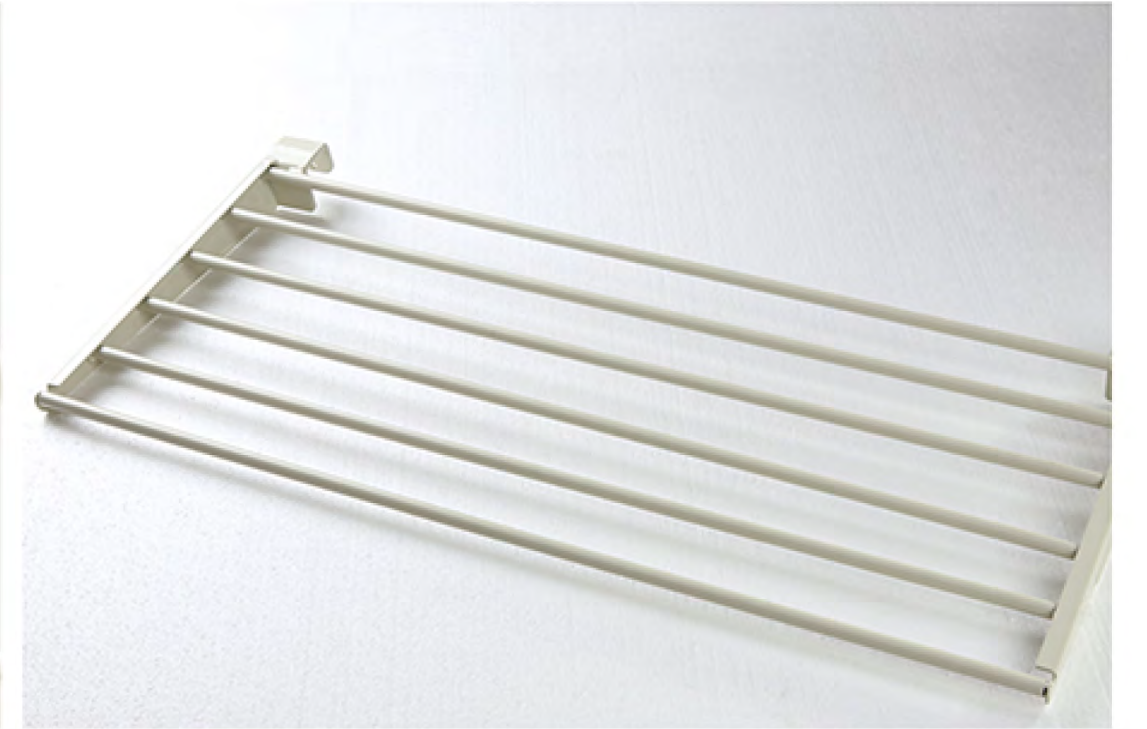
Movable over bed table F-32-2 移动过床餐桌

高密度桌面，耐磨耐油污。铝合金立柱升降系统，美观稳固。
桌面多角度灵活调节，适合用餐、阅读 50mm 移动脚轮，
灵活方便。
上下伸缩范围：825-1115mm
工作载荷：20kgs
桌面尺寸：880mm × 425mm

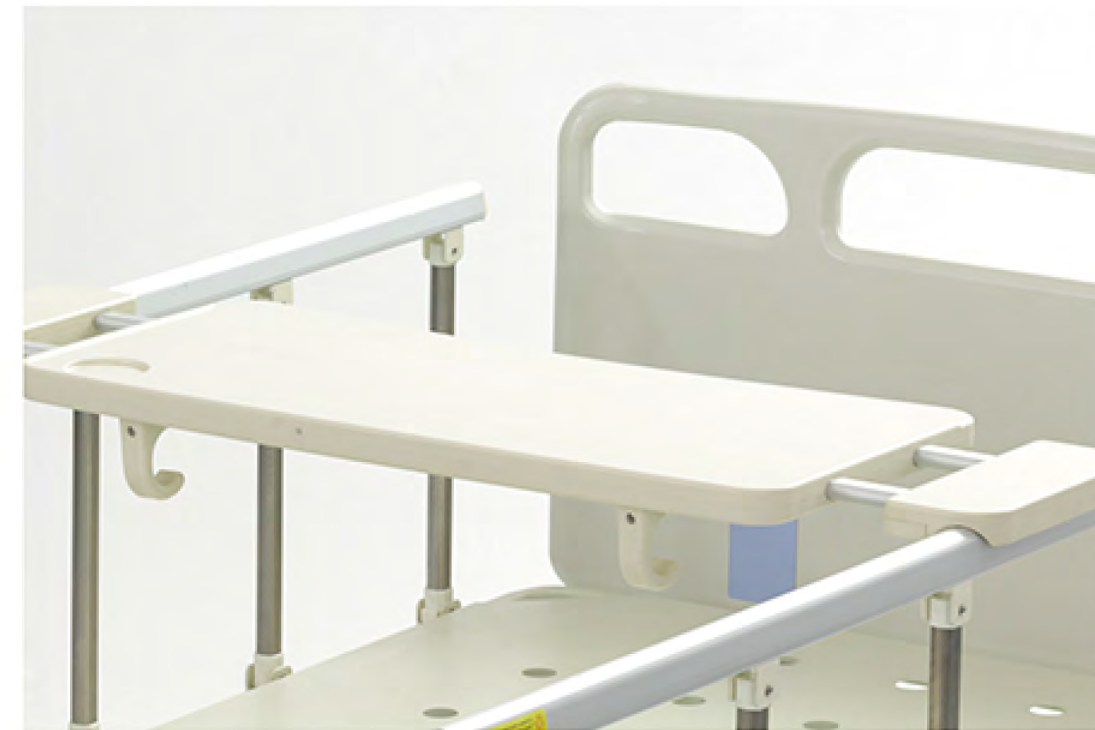
High-density desktop, wear-resistant and oil-resistant;
Aluminum alloy column lift system. Beautiful, steady and solid;
Desktop multi-angle flexible adjustment, suitable for dining & reading;
Diameter 50mm mobile casters, flexible and convenient;
High-low: 825-1115mm ;
Working load: 20kgs ;
Desktop size: 880mm × 425mm ;



拉伸杆 Lifting pole



鞋盆架 Rack



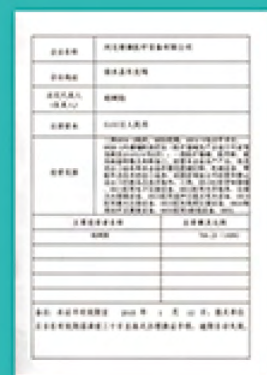
餐桌板 Telescopic dining table



输液架 I.V pole



海关注册登记证



环境管理体系认证证书



中华人民共和国海关
进出口货物收发货人报关注册登记证

Catalogue

- 公司概况 -06- About
- 电动病床系列 -08- Electric Hospital Bed Series
- 手动病床系列 -20- Manual Hospital Bed Series
- 家居床系列 -30- Homecare Bed Series
- 病人转运车系列 -36- Stretcher Bed Series
- 医用护理车 -41- Medical Nursing Trolley Series
- 病床周边产品 -46- Bedside Equipment Series
- 产品配件 -51- Spare Parts
- 产品认证 -52- Register Certificates

国际认证: CE、EN+ISO+9001、EN+ISO+13485



医疗器械质量管理体系认证证书
ISO 9001:2000 YY/T0287-1996

