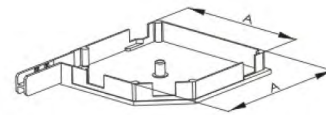
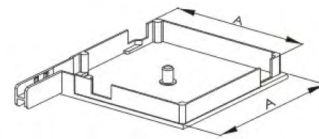
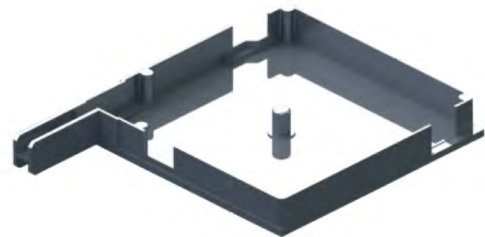


# END CAP

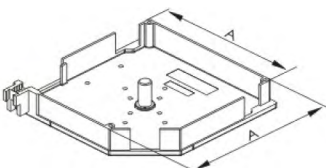
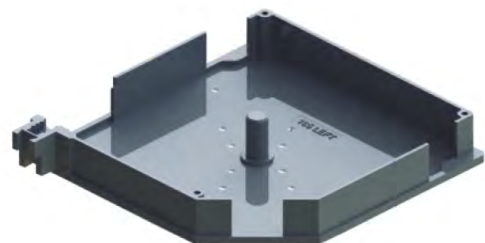
DRAWING	DIMENSION	REFERENCE	DESCRIPTION
---------	-----------	-----------	-------------



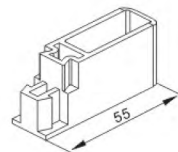
- RS-SF137/45°** A(mm) 137, white,brown,beige,cream
- RS-SF150/45°** A(mm) 150, white,brown,beige,cream
- RS-SF165/45°** A(mm) 165, white,brown,beige,cream
- RS-SF180/45°** A(mm) 180, white,brown,beige,cream
- RS-SF205/45°** A(mm) 205, white,brown,beige,cream
- RS-SF250/45°** A(mm) 250, white,brown,beige,cream
- RS-SF300/45°** A(mm) 300, white,brown,beige,cream



- RS-SF137/90°** A(mm) 137, white,brown,beige,cream
- RS-SF150/90°** A(mm) 150, white,brown,beige,cream
- RS-SF165/90°** A(mm) 165, white,brown,beige,cream
- RS-SF180/90°** A(mm) 180, white,brown,beige,cream
- RS-SF205/90°** A(mm) 205, white,brown,beige,cream
- RS-SF250/90°** A(mm) 250, white,brown,beige,cream

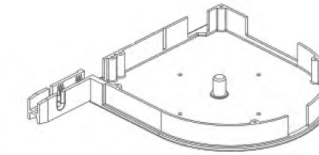
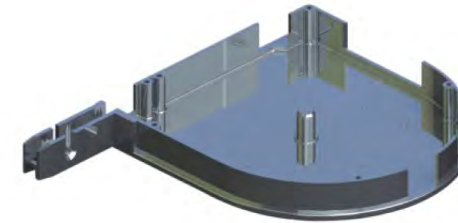


- RS-SF165/45°** A(mm) 165, white,brown,beige,cream
- RS-SF180/45°** A(mm) 180, white,brown,beige,cream
- RS-SF205/45°** A(mm) 205, white,brown,beige,cream
- RS-SF230/45°** A(mm) 230, white,brown,beige,cream

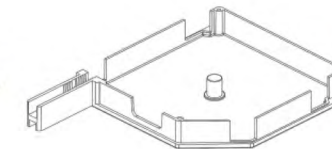
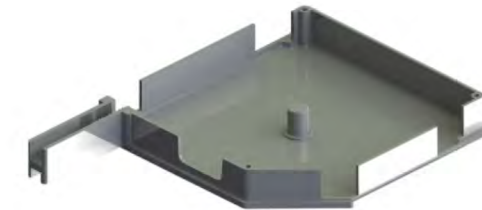


# END CAP

DRAWING	DIMENSION	REFERENCE	DESCRIPTION
---------	-----------	-----------	-------------

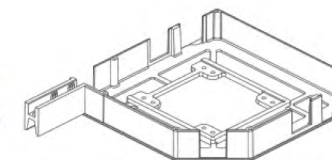


- RS-SF137/ 1/2R** A(mm), White,Brown,Beige,Cream
- RS-SF150/ 1/2R** A(mm), White,Brown,Beige,Cream
- RS-SF165/ 1/2R** A(mm), White,Brown,Beige,Cream
- RS-SF180/ 1/2R** A(mm), White,Brown,Beige,Cream
- RS-SF205/ 1/2R** A(mm), White,Brown,Beige,Cream



## HEAVY DUTY

- RS-SF150/45H** A(mm), White,Brown,Beige,Cream
- RS-SF165/45H** A(mm), White,Brown,Beige,Cream
- RS-SF180/45H** A(mm), White,Brown,Beige,Cream
- RS-SF205/45H** A(mm), White,Brown,Beige,Cream
- RS-SF230/45H** A(mm), White,Brown,Beige,Cream



- RS-SF205/45E** A(mm), White,Brown,Beige,Cream

# SAFETY PLATE

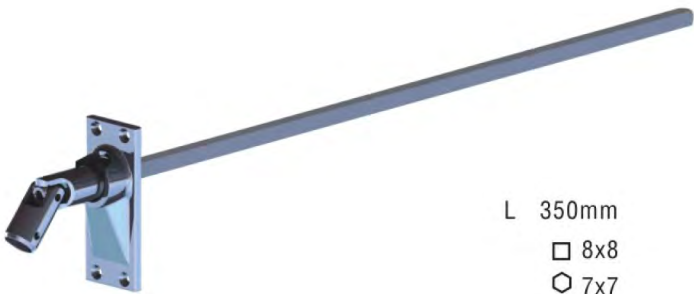
DRAWING	DIMENSION	REFERENCE	DESCRIPTION
		<p><b>RS-BS137/90</b> For RS-SF137/90 side frame</p> <p><b>RS-BS150/90</b> For RS-SF150/90 side frame</p> <p><b>RS-BS165/90</b> For RS-SF165/90 side frame</p> <p><b>RS-BS180/90</b> For RS-SF180/90 side frame</p> <p><b>RS-BS205/90</b> For RS-SF205/90 side frame</p>	
		<p><b>RS-BS137/45</b> For RS-SF137/45 side frame</p> <p><b>RS-BS150/45</b> For RS-SF150/45 side frame</p> <p><b>RS-BS165/45</b> For RS-SF165/45 side frame</p> <p><b>RS-BS180/45</b> For RS-SF180/45 side frame</p> <p><b>RS-BS205/45</b> For RS-SF205/45 side frame</p>	
		<p><b>RS-BS137/QR</b> For 1/4 round side frame</p> <p><b>RS-BS150/QR</b> For 1/4 round side frame</p> <p><b>RS-BS165/QR</b> For 1/4 round side frame</p> <p><b>RS-BS180/QR</b> For 1/4 round side frame</p> <p><b>RS-BS205/QR</b> For 1/4 round side frame</p>	
		<p><b>RS-BS137/HR</b> For 1/2 round side frame</p> <p><b>RS-BS150/HR</b> For 1/2 round side frame</p> <p><b>RS-BS165/HR</b> For 1/2 round side frame</p> <p><b>RS-BS180/HR</b> For 1/2 round side frame</p> <p><b>RS-BS205/HR</b> For 1/2 round side frame</p>	

# CRANK WHEEL

DRAWING	DIMENSION	REFERENCE	DESCRIPTION
		<b>RS-CW01</b>	1:10, With end stroke, within 25KG
		<b>RS-CW02</b>	1:8, Within 20KG
		<b>RS-CW03</b>	1:11, 1:6 within in 25KGS
		<b>RS-CW04</b>	1:11, With limit
		<b>RS-CW06</b>	1:5.25 within in 20KGS



# CARDAN JOINT

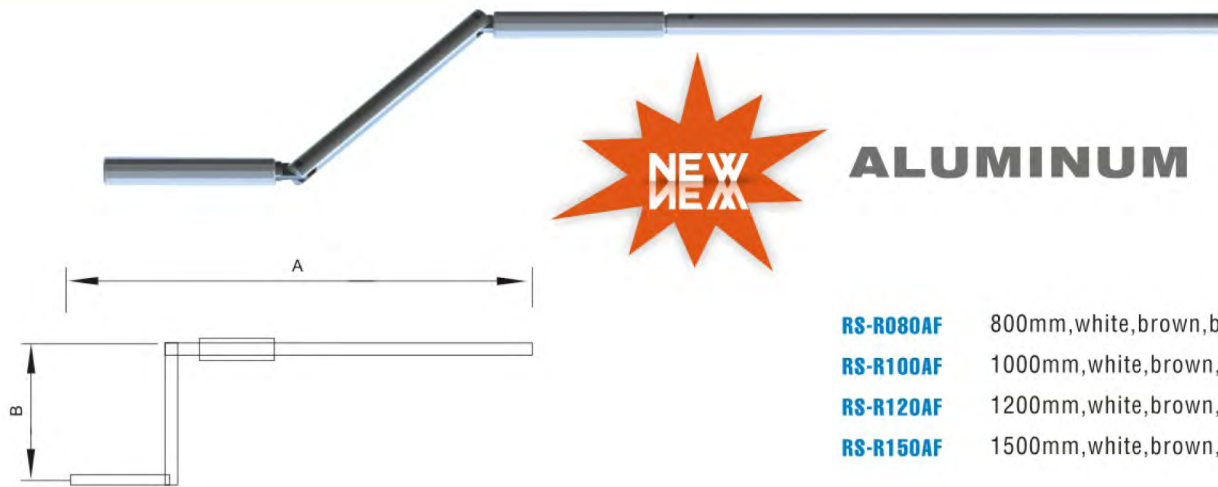
DRAWING	DIMENSION	REFERENCE	DESCRIPTION
	L 350mm □ 8x8 ○ 7x7	<b>RS-UJ01</b>	For RS-R080-150 AF/RF series
	L 350mm □ 8x8 ○ 7x7	<b>RS-UJ02</b>	For RS-R080-150 AF/RF series
	L 350mm □ 8x8 ○ 7x7	<b>RS-UJ03</b>	For RS-R080-150 TF series
	L 350mm □ 8x8 ○ 7x7	<b>RS-UJ04</b>	For RS-R080-150H/HF series

# CARDAN JOINT

DRAWING	DIMENSION	REFERENCE	DESCRIPTION
	L 350mm □ 6x6 ○ 7x7	<b>RS-UJ05</b>	For RS-RS-R080-150AF/RF Series
	L 350mm □ 8x8 ○ 7x7	<b>RS-UJ06</b>	For RS-R080-150AF/RF series
	L 350mm □ 8x8 ○ 7x7	<b>RS-UJ07</b>	For RS-R080-150 H/HF series
	L 350mm □ 8x8 ○ 7x7	<b>RS-UJ08</b>	For RS-R080AF series

# HANDLE CRANK

DRAWING	DIMENSION	REFERENCE	DESCRIPTION
---------	-----------	-----------	-------------



**NEW**

## ALUMINUM

- RS-R080AF** 800mm, white, brown, beige, cream
- RS-R100AF** 1000mm, white, brown, beige, cream
- RS-R120AF** 1200mm, white, brown, beige, cream
- RS-R150AF** 1500mm, white, brown, beige, cream

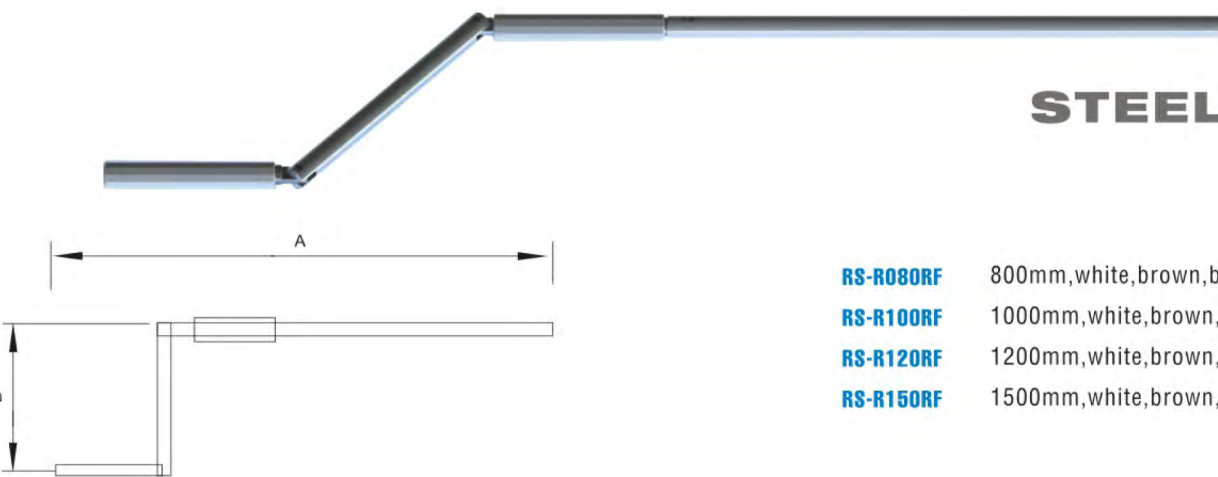
# HANDLE CRANK

DRAWING	DIMENSION	REFERENCE	DESCRIPTION
---------	-----------	-----------	-------------



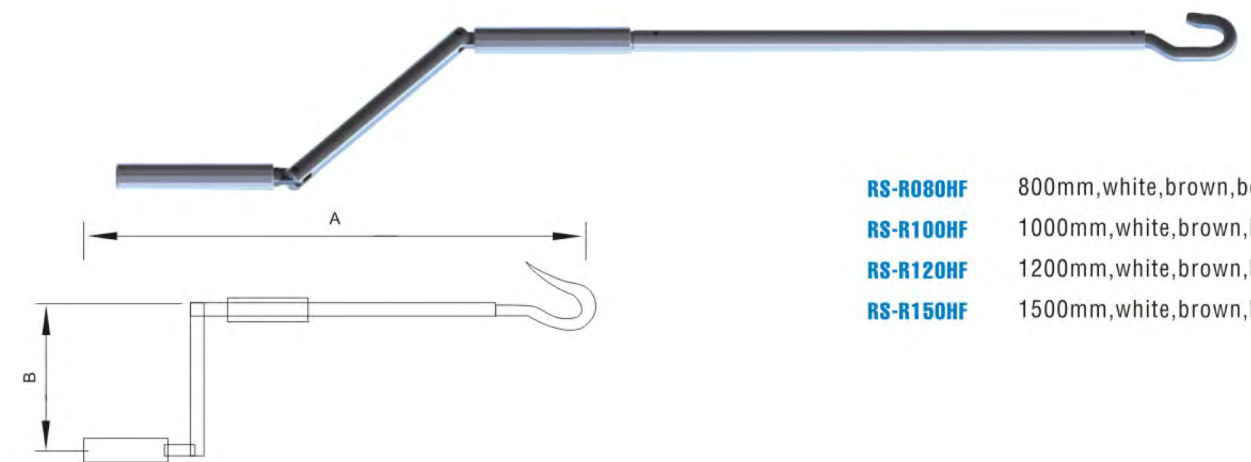
**RS-R150HD**

- 800mm, white, brown, beige, cream
- 1000mm, white, brown, beige, cream
- 1200mm, white, brown, beige, cream
- 1500mm, white, brown, beige, cream

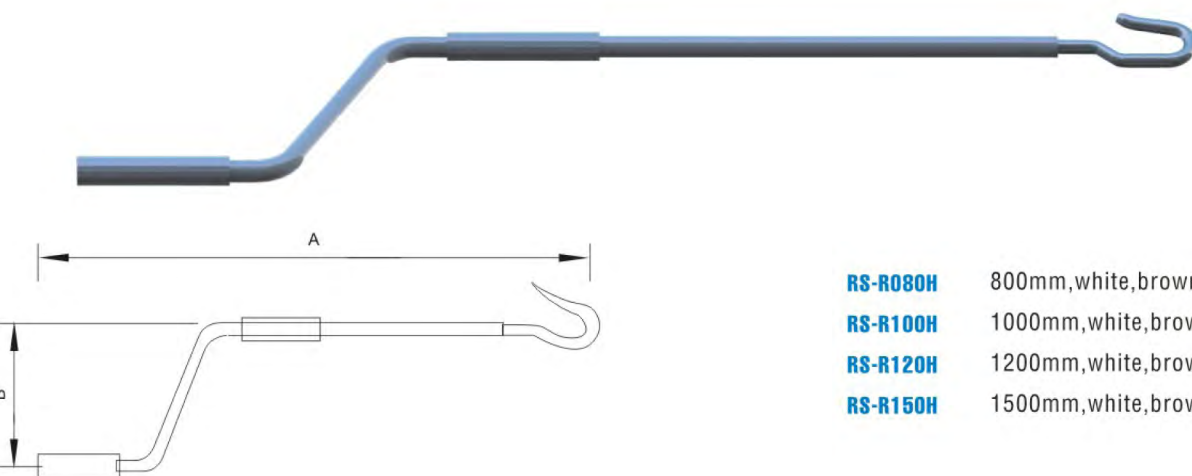


## STEEL

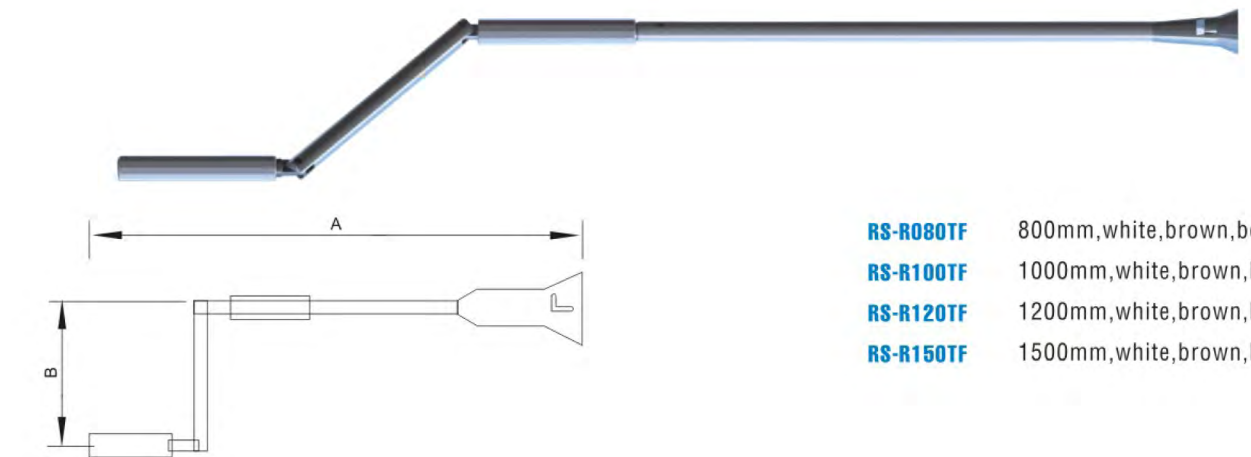
- RS-R080RF** 800mm, white, brown, beige, cream
- RS-R100RF** 1000mm, white, brown, beige, cream
- RS-R120RF** 1200mm, white, brown, beige, cream
- RS-R150RF** 1500mm, white, brown, beige, cream



- RS-R080HF** 800mm, white, brown, beige, cream
- RS-R100HF** 1000mm, white, brown, beige, cream
- RS-R120HF** 1200mm, white, brown, beige, cream
- RS-R150HF** 1500mm, white, brown, beige, cream



- RS-R080H** 800mm, white, brown, beige, cream
- RS-R100H** 1000mm, white, brown, beige, cream
- RS-R120H** 1200mm, white, brown, beige, cream
- RS-R150H** 1500mm, white, brown, beige, cream



- RS-R080TF** 800mm, white, brown, beige, cream
- RS-R100TF** 1000mm, white, brown, beige, cream
- RS-R120TF** 1200mm, white, brown, beige, cream
- RS-R150TF** 1500mm, white, brown, beige, cream

# HANDLE CRANK

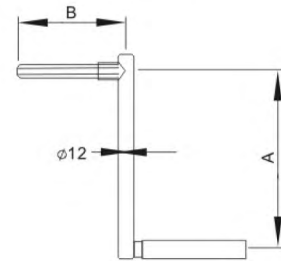
DRAWING	DIMENSION	REFERENCE	DESCRIPTION
---------	-----------	-----------	-------------



<b>RS-R080HP</b>	800mm
<b>RS-R100HP</b>	1000mm
<b>RS-R120HP</b>	1200mm
<b>RS-R150HP</b>	1500mm



8x8  
 7x7  
**RS-R014F**  
 140mm, work with  
 RS-WB01/02 winch box  
 white, brown, beige, cream

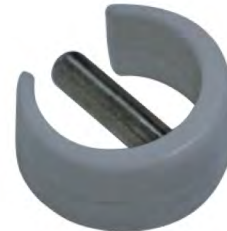


**RS-014F/300**  
 length 300mm 7\*7 and 8\*8



**RS-PL01**

plastic with stainless pin for 12-13mm



**RS-PL02**

plastic with stainless pin for 14mm

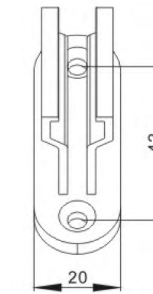
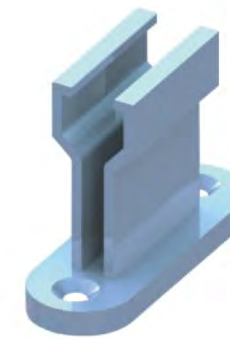


**RS-PL03**

Stainless steel

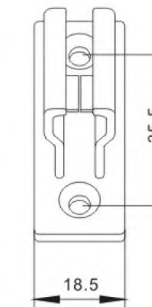
# HANDLE CRANK BRACKET

DRAWING	DIMENSION	REFERENCE	DESCRIPTION
---------	-----------	-----------	-------------



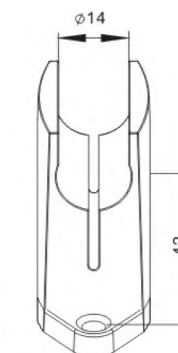
**RS-ZZ01**

Work for handle rocker  
white, brown, beige, cream



**RS-ZZ02**

Work for handle rocker  
white, brown, beige, cream



**RS-ZZ03**


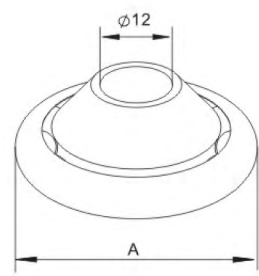

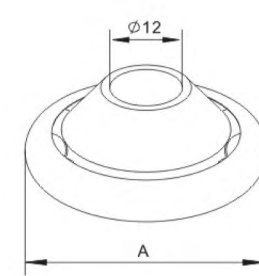
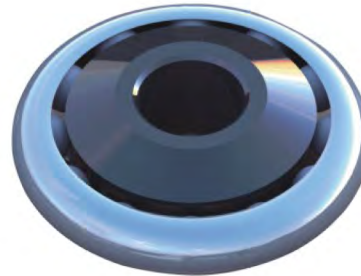
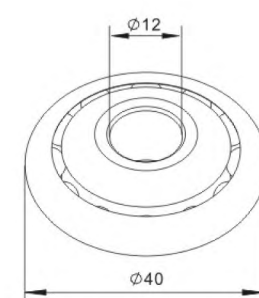
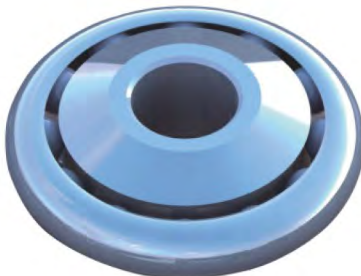
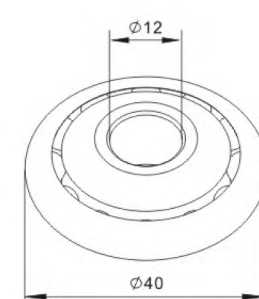
Work for handle rocker  
white, brown, beige, cream




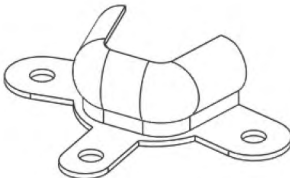
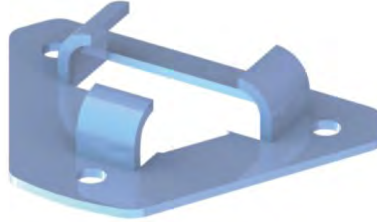
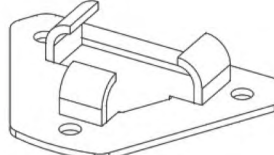

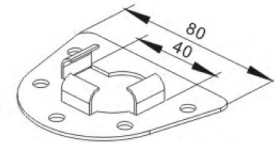

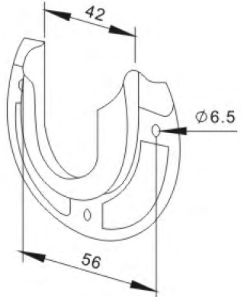
# BEARING

DRAWING	DIMENSION	REFERENCE	DESCRIPTION
		<b>RS-BB28S</b>	Steel sealed
		<b>RS-BB28P</b>	Plastic sealed
		<b>RS-BB28N</b>	Nylon inside High quality standard
		<b>RS-BB28M</b>	Steel inside High quality standard


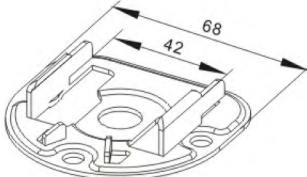


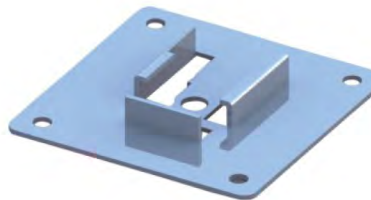
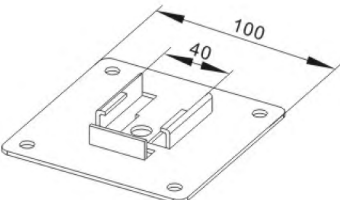
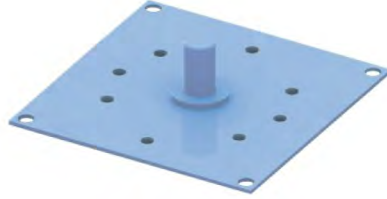
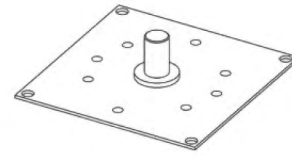
# BEARING

DRAWING	DIMENSION	REFERENCE	DESCRIPTION
		<b>RS-BB40P/A</b> <b>RS-BB42P/A</b>	Nylon inside Nylon inside
		<b>RS-BB40M/A</b> <b>RS-BB42M/A</b>	Steel inside Steel inside
		<b>RS-BB40P/B</b>	Nylon inside
		<b>RS-BB40M/B</b>	Steel inside

## BEARING BRACKET

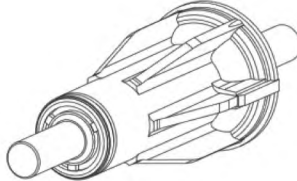

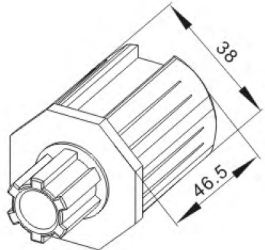
DRAWING	DIMENSION	REFERENCE	DESCRIPTION
		<b>RS-BBB28</b>	For 28mm bearing
		<b>RS-BBB40</b>	For 40mm bearing
		<b>RS-BBB40-01</b>	For 40 series bearing
		<b>RS-BBB40-02</b>	For 40 series bearing

## BEARING BRACKET


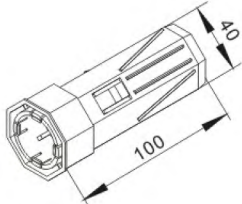
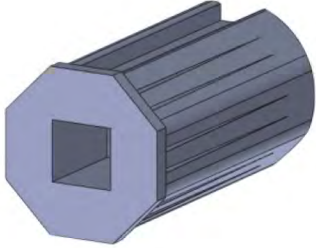
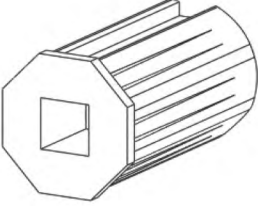

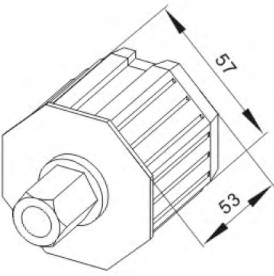
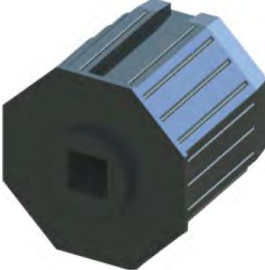
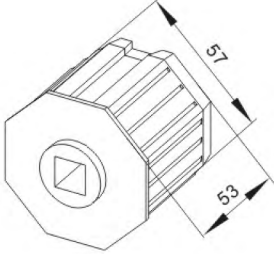
DRAWING	DIMENSION	REFERENCE	DESCRIPTION
		<b>RS-BBB40-03</b>	For 42 series bearing
		<b>RS-BBB42-03</b>	For 42mm cycle bearing
		<b>RS-BBB42</b>	For 42 series bearing
		<b>RS-BBM02</b>	100*100mm with 12mm pivot



## DRIVE BEARING


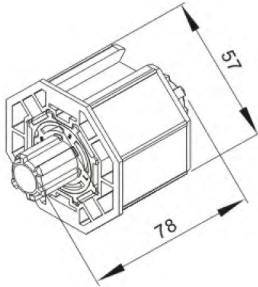

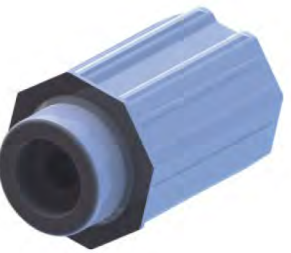
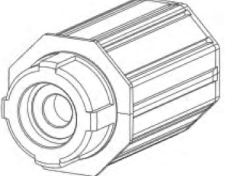
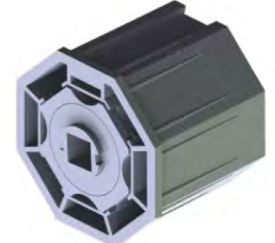
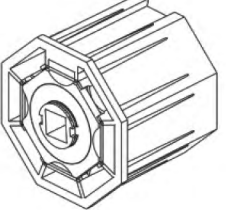
DRAWING	DIMENSION	REFERENCE	DESCRIPTION
		<b>RS-BS01</b>	Shaft bolt, Zinc alloy
		<b>RS-SE01</b>	Spring cap for 40mm Axle with crown
		<b>RS-DB40</b>	For steel shaft 40
		<b>RS-DB40-01</b>	For steel shaft 40

## DRIVE BEARING

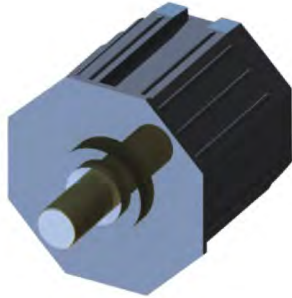
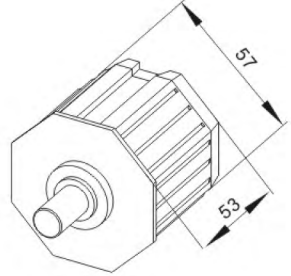
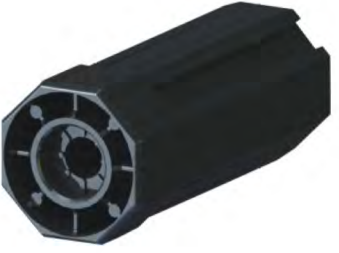
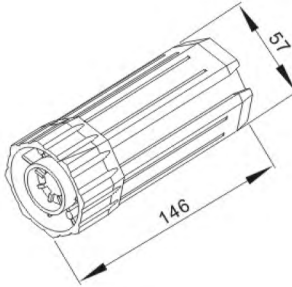

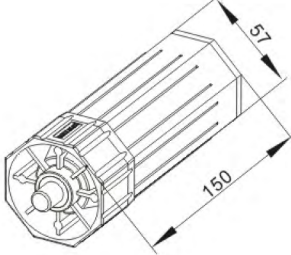

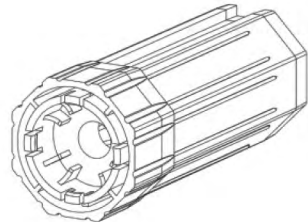
DRAWING	DIMENSION	REFERENCE	DESCRIPTION
		<b>RS-DB40-02</b>	For steel shaft 40
		<b>RS-DB40-03</b>	For steel shaft 40
		<b>RS-DB757</b>	For steel shaft 60
		<b>RS-DB57-01</b>	For steel shaft 60




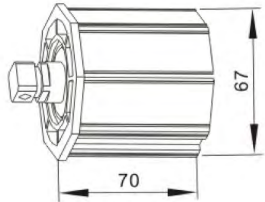

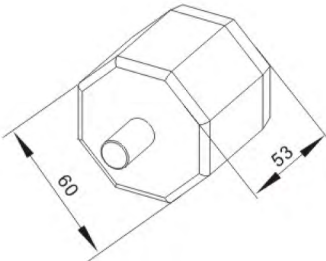
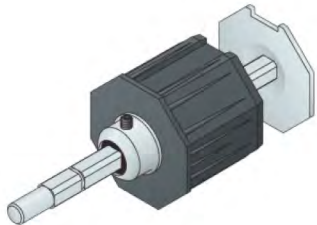
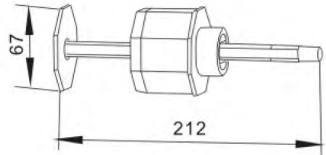
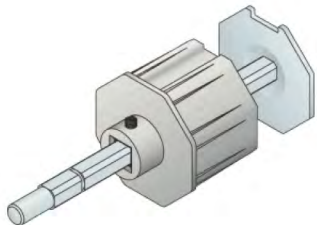
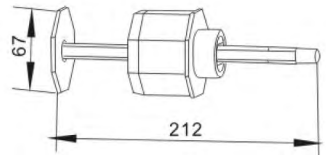
## DRIVE BEARING

DRAWING	DIMENSION	REFERENCE	DESCRIPTION
		<b>RS-DB57-02</b>	Anti-over load function with RS-CW02
		<b>RS-DB57-03</b>	For steel shaft 60
		<b>RS-DB57-03A</b>	Aluminum cap for the 60mm Axle
		<b>RS-DB57-05</b>	Limit part for the Gear RS-CW04


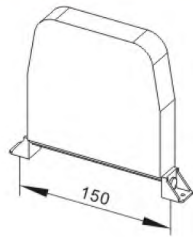

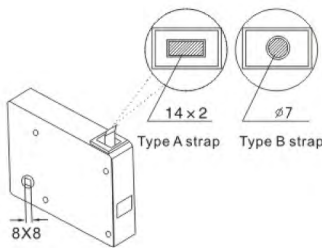

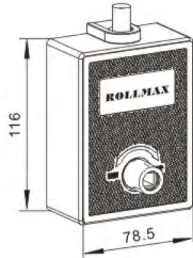



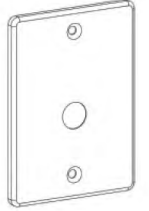
## CAPS

DRAWING	DIMENSION	REFERENCE	DESCRIPTION
		<b>RS-EC57-01</b>	For steel shaft 60, with pivot
		<b>RS-EC57-02</b>	For steel shaft 60, work with 28mm ball bearing
		<b>RS-SC57-03</b>	For steel shaft 60 with pivot
		<b>RS-EC57-04</b>	For steel shaft 60 with 40mm ball bearing

# CAPS


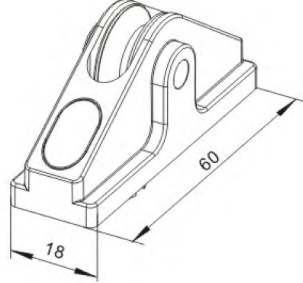

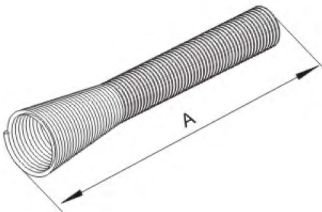

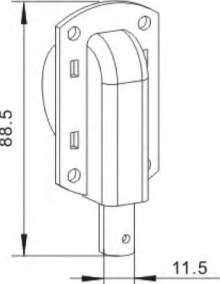

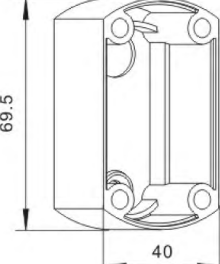

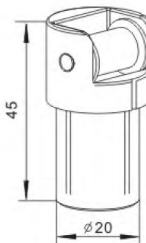
DRAWING	DIMENSION	REFERENCE	DESCRIPTION
		<b>RS-EC70B</b>	For steel shaft 70 with I pivot
		<b>RS-EC60</b> <b>RS-EC70</b>	For steel shaft 60, with pivot
		<b>RS-EC60P</b> <b>RS-EC70P</b>	Adjustable plastic cap with steel pivot Adjustable plastic cap with steel pivot
		<b>RS-EC60A</b> <b>RS-EC70A</b>	Adjustable aluminum cap with steel pivot Adjustable aluminum cap with steel pivot

# COILER & BRAID WHICH


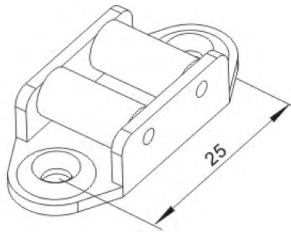
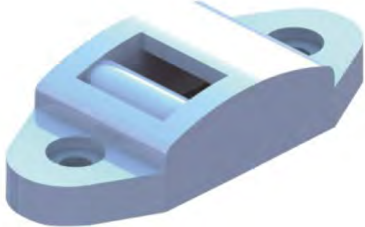
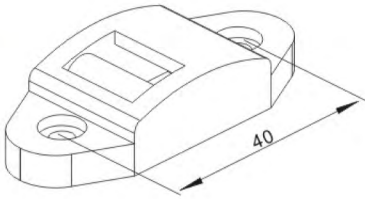

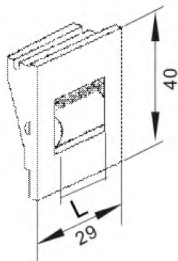
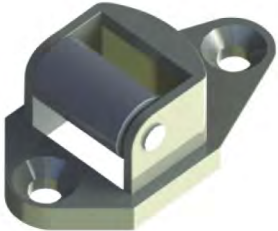
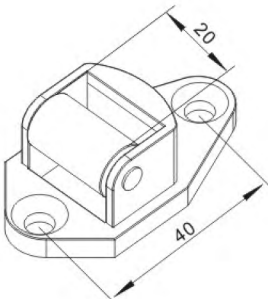
DRAWING	DIMENSION	REFERENCE	DESCRIPTION
		<b>RS-SR01/R</b> <b>RS-SR01/S</b>	4.5m rope, white or gray 4.5m strap, white or gray
		<b>RS-WB01/R</b> <b>RS-WB01/S</b>	4.5m rope white or gray 4.5m strap white or gray
		<b>RS-WB02</b>	With wireless steel and handle crank
		<b>RS-WB03</b>	With wireless steel and handle crank
		<b>RS-WB03CB</b>	Cover plate for RS-WB03 winch box



# ROPE GUIDE

DRAWING	DIMENSION	REFERENCE	DESCRIPTION
		<b>RS-RG05</b>	Braid guide work with spring
		<b>RS-RG06</b>	Braid guide spring A=250 300
		<b>RS-RG07</b>	Guide cable
		<b>RS-RG08</b>	Funnel cover
		<b>RS-RG09</b>	Rope guide


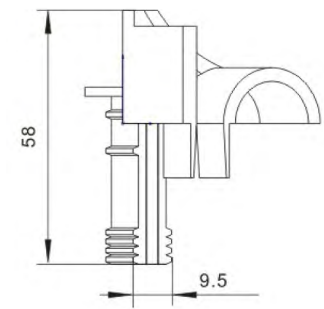

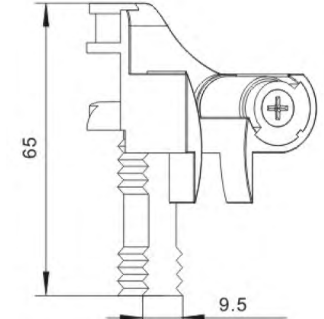

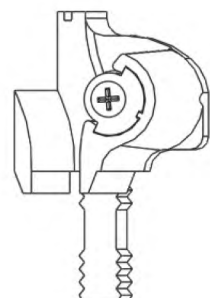

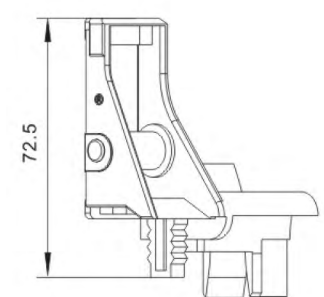
# ROPE GUIDE

DRAWING	DIMENSION	REFERENCE	DESCRIPTION
		<b>RS-GR01</b>	For coiler and braid which
		<b>RS-GR02</b>	For coiler and braid which
		<b>RS-GR03</b>	For coiler and braid which
		<b>RS-GR04</b>	For coiler and braid which

# TOP LOCK


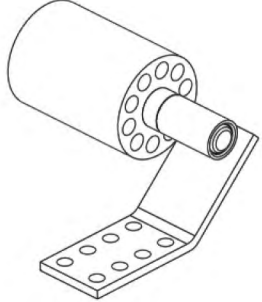
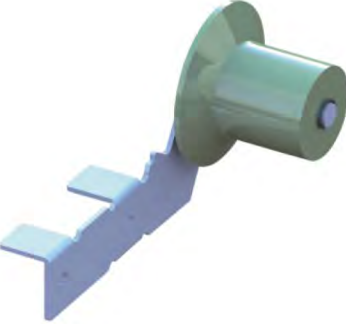
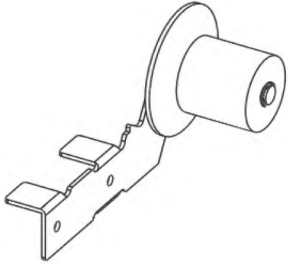

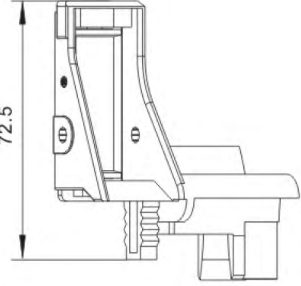

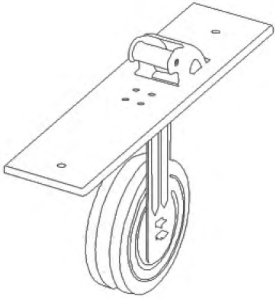
DRAWING	DIMENSION	REFERENCE	DESCRIPTION
		<b>RS-TP01</b>	For steel shaft 60 RS-TL60 For steel shaft 70 RS-TL70
		<b>RS-AR01</b>	For RS-TP 01
		<b>RS-TP02</b>	RS-TL3 RS-TL4 RS-TL 5
		<b>RS-AR02</b>	For RS-TP02 A=40mm 60mm 70mm
		<b>RS-TP03</b>	For slat 55 and 77
		<b>RS-AR03</b>	
		<b>RS-TP04</b>	For 37&39mm and 42&45mm slat

# ENTRY GUIDE

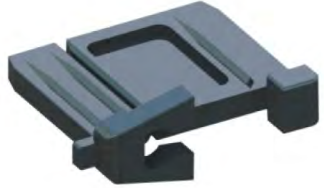
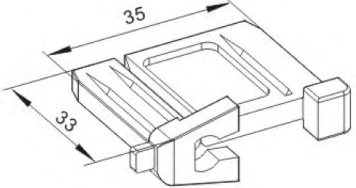
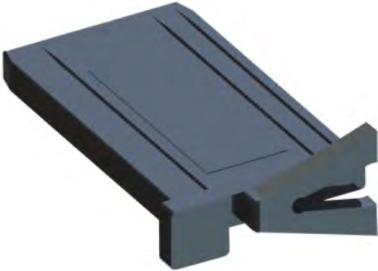
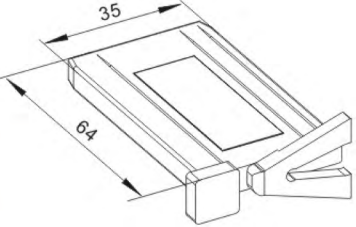
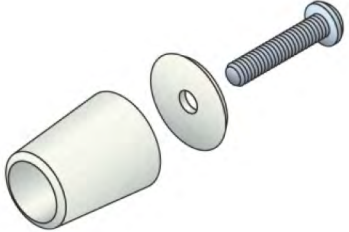
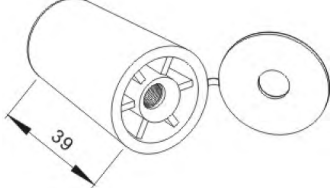

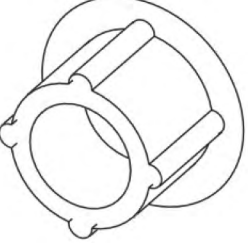
DRAWING	DIMENSION	REFERENCE	DESCRIPTION
		<b>RS-EG01</b> <b>Entry Guide</b>	White or black for RS-SF165,180,205 series side frame
		<b>RS-EG02</b> <b>Entry Guide</b>	With roller, for RS-SF165,180,205 series side frame
		<b>RS-EG03</b>	For RS-SF165 Classic and Heavy duty series side frame
		<b>RS-EG04</b> <b>Entry Guide</b>	For rs-sf removable side frame series




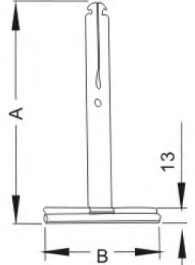

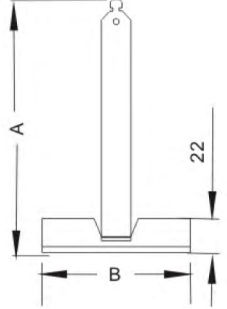

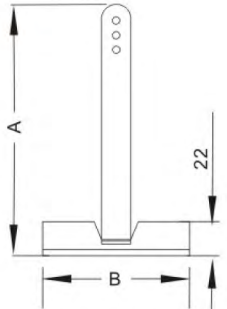

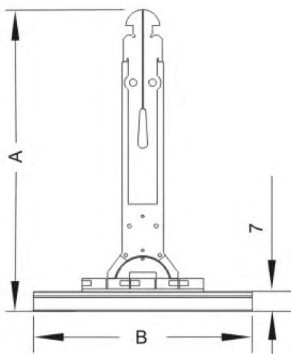
# ENTRY GUIDE

DRAWING	DIMENSION	REFERENCE	DESCRIPTION
		<b>RS-EG05</b>	For RS-SF250 and RS-SF300 series side frame.
		<b>RS-EG06</b>	For Door Roller Shutter
		<b>RS-EG07</b> Entry Guide	For rs-sf removable side frame series
		<b>RS-SR03</b>	pulley strap

# STOPPER

DRAWING	DIMENSION	REFERENCE	DESCRIPTION
		<b>RS-SL01</b>	For 37,42 slat
		<b>RS-SL02</b>	For 42,55 slat
		<b>RS-CS02</b>	For end slat
		<b>RS-DC10</b>	10mm,12mm White,Cream,Beige

## SECURITY SPRING

DRAWING	DIMENSION	REFERENCE	DESCRIPTION
		<b>RS-SS01</b>	130-190 Series with felt with plastic cover
		<b>RS-SS02</b>	130-190 Series
		<b>RS-SS03</b>	130-170 Series
		<b>RS-SS04</b>	130-170 Series

## GALVANIZED STEEL ROPE PULLEY

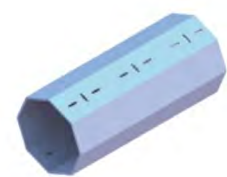
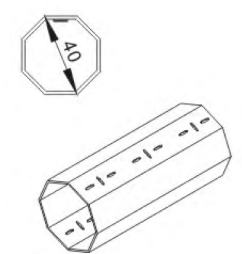
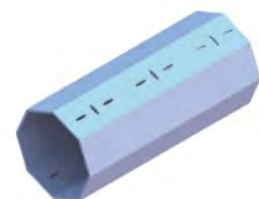
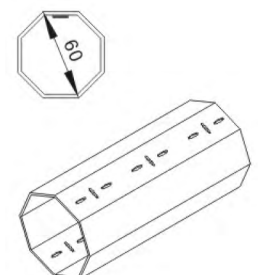
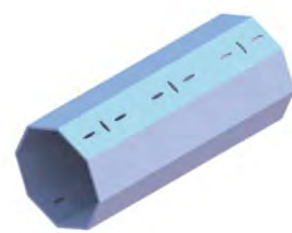
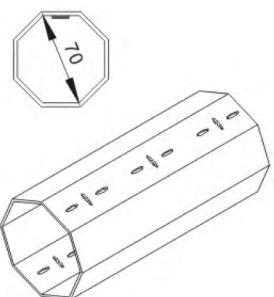
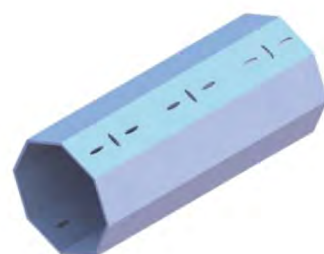
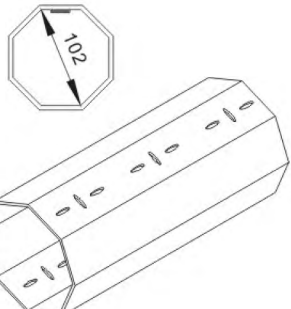
DRAWING	DIMENSION	REFERENCE	DESCRIPTION
		<b>RS-RP150/40</b>	For steel shaft 40, with aluminum cap and ball bearing
		<b>RS-RP150/60</b>	For steel shaft 60, with aluminum cap and ball bearing
		<b>RS-RP180/60</b>	For steel shaft 60, with aluminum cap and ball bearing
		<b>RS-RPS210/70</b>	For steel shaft 70, with aluminum cap and ball bearing



## STRAP WHEEL

DRAWING	DIMENSION	REFERENCE	DESCRIPTION
		<p><b>RS-RPP150/40</b>  <b>RS-RPP150/60</b>  <b>RS-RPP180/60</b></p>	<p>For steel shaft 40, with plastic cap                      For steel shaft 60, with plastic cap                      For steel shaft 60, with plastic cap</p>
		<p><b>RS-PP125</b>  <b>RS-PP140</b></p>	<p>For RS-DB40-02/RS-DB57-03 cap                      For RS-DB40-02/RS-DB57-03 cap</p>
		<p><b>RS-PP170</b>  <b>RS-PP190</b></p>	<p>For RS-DB40-02/RS-DB57-03 cap                      For RS-DB40-02/RS-DB57-03 cap</p>

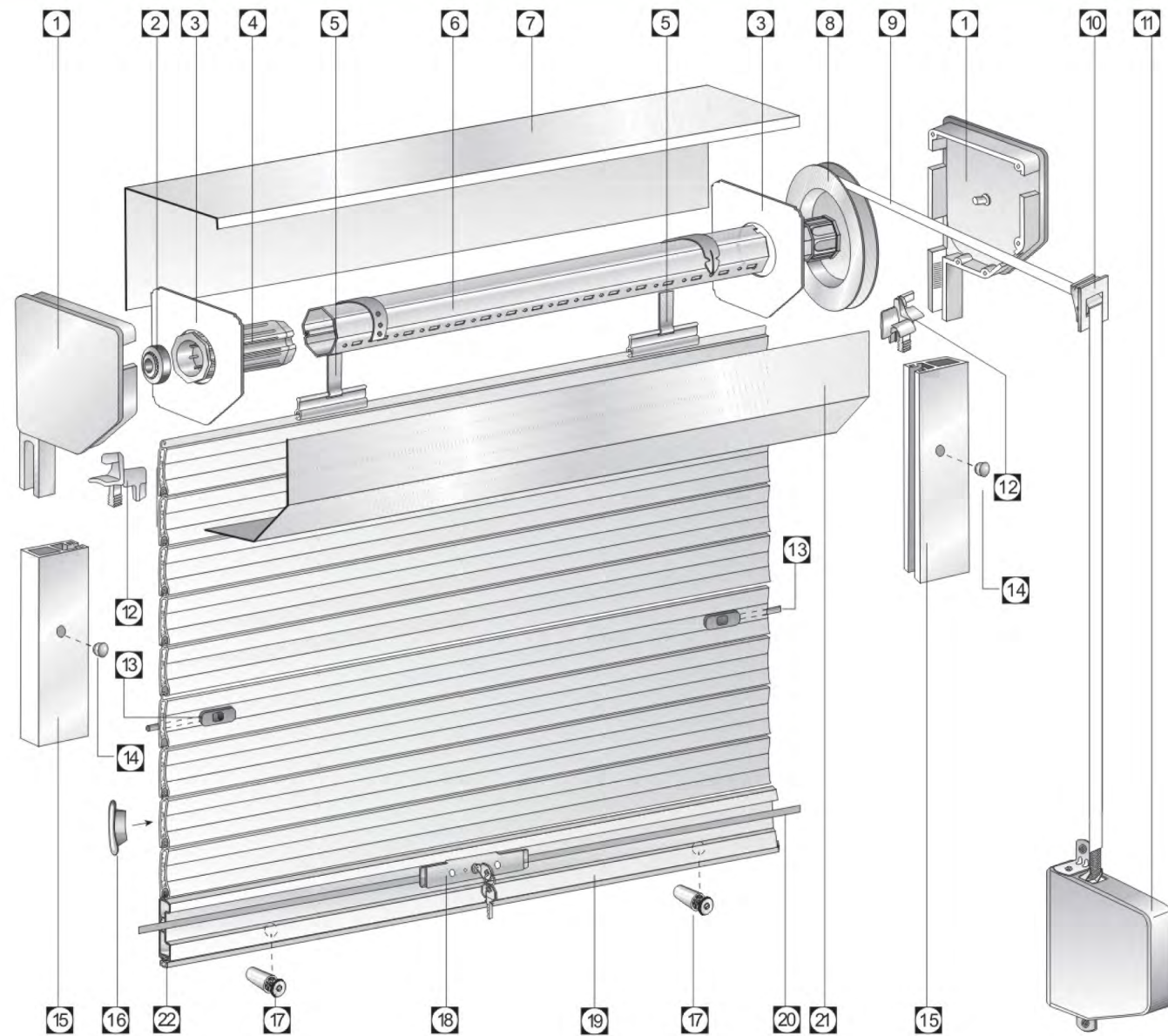
## STEEL SHAFT

DRAWING	DIMENSION	REFERENCE	DESCRIPTION
		<b>40 Galvanized</b>	Octagonal thickness 0.5mm
		<b>60 Galvanized</b>	Octagonal thickness 0.6mm 0.8mm
		<b>70 Galvanized</b>	Octagonal thickness 0.8mm 1.0mm 1.2mm
		<b>102 Galvanized</b>	Octagonal thickness 1.8mm



# STRAP CONTROL

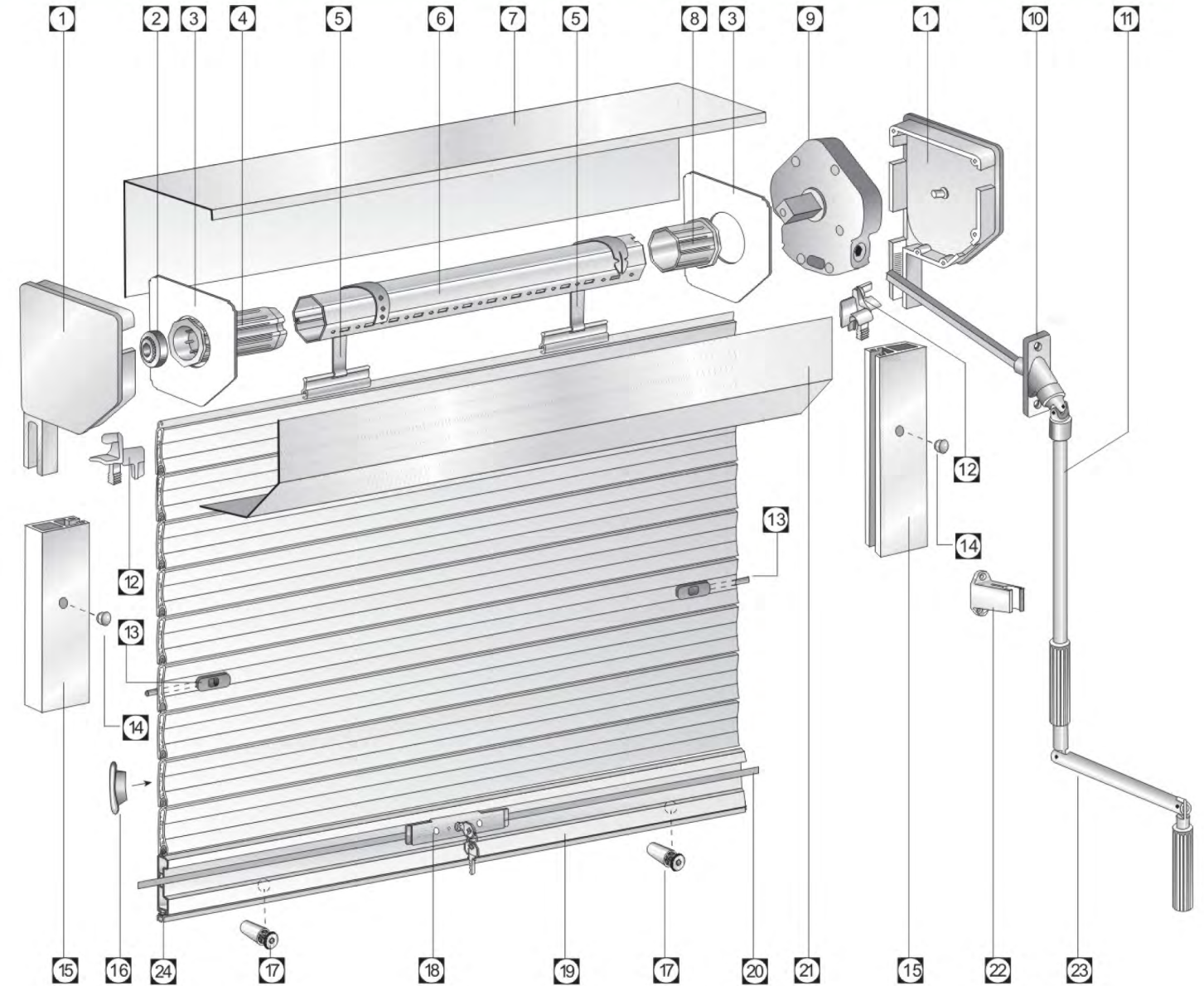
SCHEMA DI ASSEMBLAGGIO / ASSEMBLING SCHEME / SCHEMA D'ASSEMBLAGE



- |                |                              |                      |
|----------------|------------------------------|----------------------|
| 1 SIDE CAP     | 9 STRAP                      | 17 PLASTIC STOPPER   |
| 2 BALL BEARING | 10 STRAP GUIDE FOR SIDE CAPS | 18 LOCK              |
| 3 SAFETY PLATE | 11 COILER                    | 19 EXTRUDED END SLAT |
| 4 CAP          | 12 ENTRY GUIDE               | 20 LOCK PLATE        |
| 5 SPRING       | 13 INTERMEDIATE LATCH        | 21 BOX               |
| 6 ROLL AXE     | 14 HOLE COVERING PLUG        | 22 GASKET JOINT      |
| 7 BOX          | 15 GUIDE                     |                      |
| 8 PULLEY       | 16 LATERAL PLUG              |                      |

# HANDLE CONTROL

SCHEMA DI ASSEMBLAGGIO / ASSEMBLING SCHEME / SCHEMA D'ASSEMBLAGE

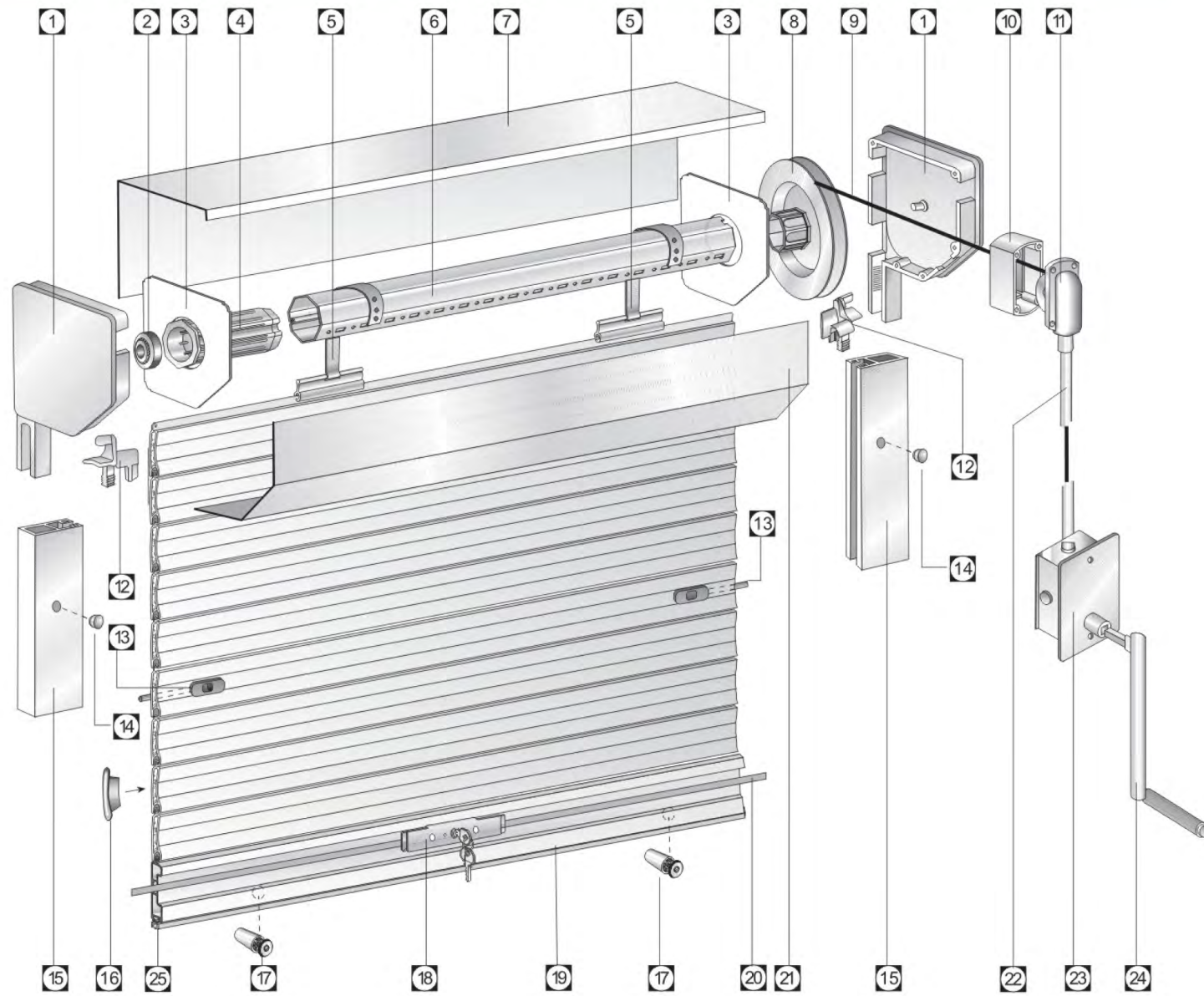


- |                |                       |                      |
|----------------|-----------------------|----------------------|
| 1 SIDE CAP     | 9 GEAR                | 17 PLASTIC STOPPER   |
| 2 BALL BEARING | 10 JOINT              | 18 LOCK              |
| 3 SAFETY PLATE | 11 HANDLE CRANK       | 19 EXTRUDED END SLAT |
| 4 CAP          | 12 ENTRY GUIDE        | 20 LOCK PLATE        |
| 5 SPRING       | 13 INTERMEDIATE LATCH | 21 BOX               |
| 6 ROLL AXE     | 14 HOLE COVERING PLUG | 22 HANDLE STOPPER    |
| 7 BOX          | 15 GUIDE              | 23 HANDLE            |
| 8 CAP Ø13      | 16 LATERAL PLUG       | 24 GASKET JOINT      |



# ROPE CONTROL

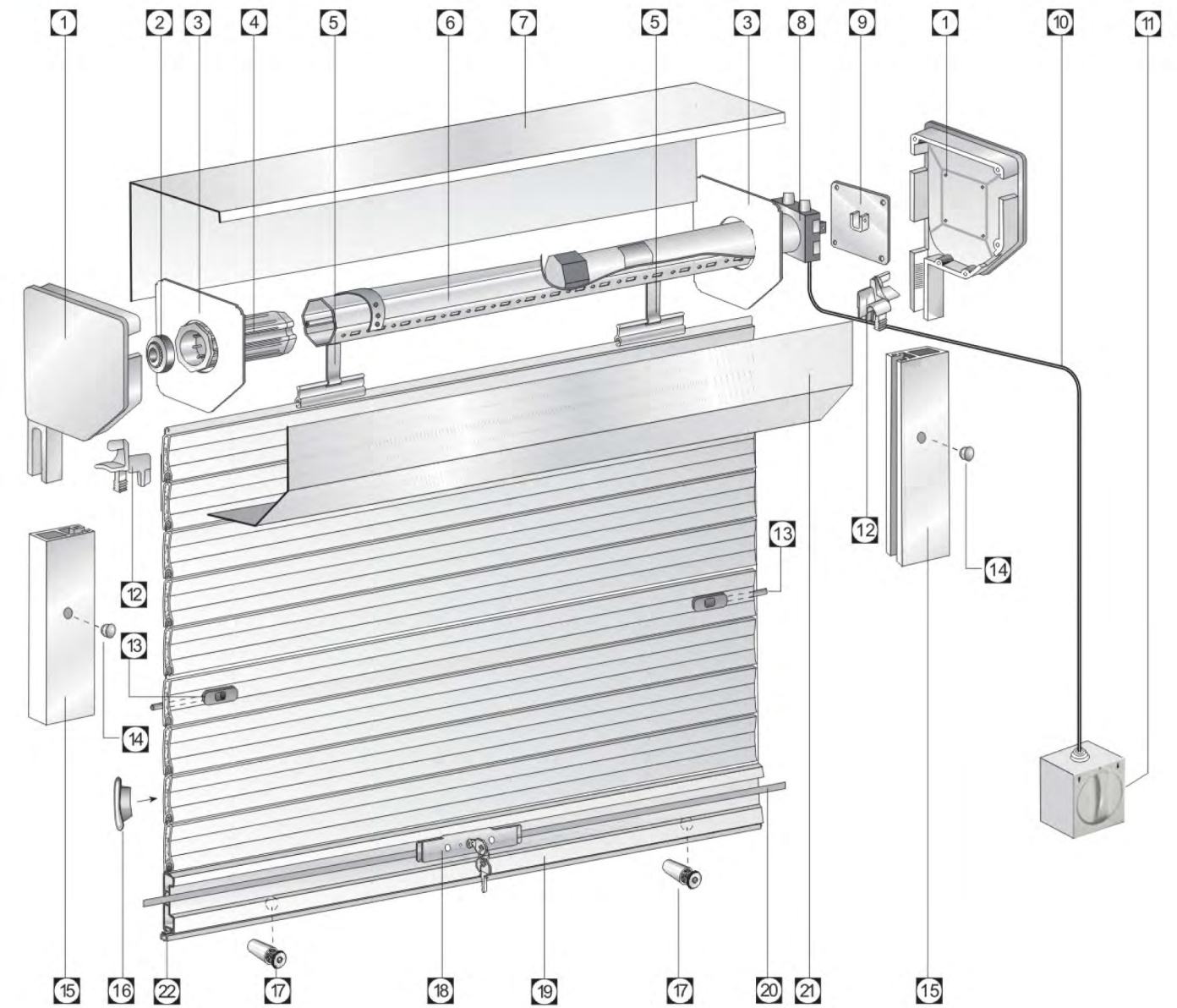
## / ASSEMBLING SCHEME /



- |                |                         |                       |
|----------------|-------------------------|-----------------------|
| 1 SIDE CAP     | 9 ROPE CABLE            | 17 PLASTIC STOPPER    |
| 2 BALL BEARING | 10 SPACE FOR ROPE GUIDE | 18 LOCK               |
| 3 SAFETY PLATE | 11 OUTSIDE ROPE GUIDE   | 19 EXTRUDED END SLAT  |
| 4 CAP          | 12 ENTRY GUIDE          | 20 LOCK PLATE         |
| 5 SPRING       | 13 INTERMEDIATE LATCH   | 21 BOX                |
| 6 ROLL AXE     | 14 HOLE COVERING PLUG   | 22 COVERING ROPE TUBE |
| 7 BOX          | 15 GUIDE                | 23 GEAR               |
| 8 PULLEY       | 16 LATERAL PLUG         | 24 HANDLE             |
|                |                         | 25 JOINT              |

# ELECTRIC CONTROL

## ASSEMBLING SCHEME



- |                |                       |                      |
|----------------|-----------------------|----------------------|
| 1 SIDE CAP     | 9 MOTOR SUPPORT PLATE | 17 PLASTIC STOPPER   |
| 2 BALL BEARING | 10 SUPPLYING WIRE     | 18 LOCK              |
| 3 SAFETY PLATE | 11 SWITCH             | 19 EXTRUDED END SLAT |
| 4 CAP          | 12 ENTRY GUIDE        | 20 LOCK PLATE        |
| 5 SPRING       | 13 INTERMEDIATE LATCH | 21 BOX               |
| 6 ROLL AXE     | 14 HOLE COVERING PLUG | 22 GASKET JOINT      |
| 7 BOX          | 15 GUIDE              |                      |
| 8 MOTOR        | 16 LATERAL PLUG       |                      |