

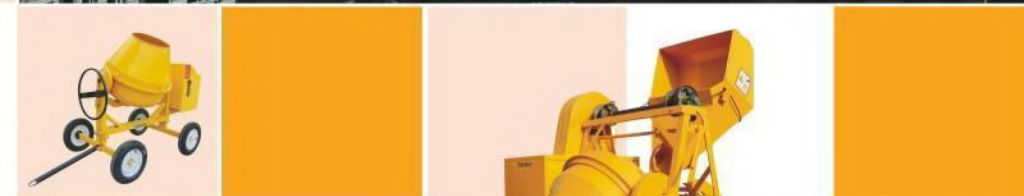
LES NOUVEAUX EXPORTATEURS LIMITED
Office 3,10/F WITTY COMMERCIAL BUILDING,
1A-1L TUNG CHOI STREET,MONGKOK QUARTER
KOWLOON,HONG KONG

Office:+852 8191 1210

Whatsapp&mobile: +63 915 904 4401

www . lesnouveauxexportateurs . fr

info @ lesnouveauxexportateurs . fr



BRAND SPIRIT INTRODUCTION

• **WUZHONG MACHINERY CO.,LTD.**,is one of the professional manufacturers of construction and engineering equipment in China. Situated in **Wuyuan** City, **Zhejiang**, which is about 100 kilometers away from Yiwu and 250 kilometers away from Ningbo Port, we enjoy an advantageous geographical location. The history of our manufacturing in construction machinery can be traced back to 1991. In 2008, the foreign trade department has been established and our goods started to be exported abroad. In 2016, we moved to the new factory in **Wuyuan** City, which covers an area of about 20000 square meter. We are very confident to enlarge our business scope in the brand new factory.

• As a rapidly growing company specializing in the design and production of an extensive range of equipment in construction and engineering industry, we could supply you with products as follows: Concrete Mixer, Concrete Mixing Plant, Concrete Block Making Machine, Concrete Mixing Truck, Concrete Pump, Site Dumper, Wheel Loader, Small Crane, Tower Crane, Construction Lifter, Vibratory Roller, Light Tower, Plate Compactor, Tamping Rammer, Power Towel, Concrete Cutter, Concrete Vibrator, Water Pump, Rebar Bender, Rebar Cutter and so on.

As a result of high quality of our products and outstanding customer service, we have gained a global sales network covering many countries in Africa, Middle East, Southeast Asia, Central and South America.



To win more customer, we would like to give the following preferable policies:

01 OEM/ODM
orders and customer's design are welcome.

02 No Minimum Order Limit.

03 One-year Quality Warranty.

If you are interested in any of our products, please feel free to contact us. We are looking forward to establishing successful business relations with clients around the world in the near future.

Choose

To Offer Best Machinery for you!

FABRICATING MACHINERY



Numerical Control Machine



CNC Plasma Cutting Machine



Hydraulic Shearing Machine



Hydraulic Bending Machine



Lathe For Mixing Drum



Shot Blasting Machine



Powder Coating



High Temperature Curing Room

CORNER OF WORKSHOP



Assembly Area 1



Assembly Area 2



Assembly Area 3



Assembly Area 4



Ready for Shipment



Ready for Shipment



Ready for Shipment



Ready for Shipment



Loading Container



Loading Container

Electric Portable Concrete Mixer

Model: CM120H, CM140H, CM160H, CM180H, CM230H, CM260H



Model	CM120H	CM140H	CM160H	CM180H	CM230H	CM260H
Drum Capacity	120L	140L	160L	180L	230L	260L
Drum Diameter	22"	24"	24"	26"	28"	28"
Motor Power	550W	600W	800W	900W	1000W	1050W
Voltage	110/220/230/240V					
Carton Size	85X67X40cm	72X69X43cm	72X69X43cm	76X73X43cm	83X77X51cm	83X77X51cm
G.W./N.W.	50/45 kg	56/51 kg	57/52 kg	62/57 kg	81/76 kg	83/78 kg
20*40*40HQ	114/244/267 PCS	120/249/297 PCS	120/249/297 PCS	114/234/279 PCS	84/182/210 PCS	84/182/210PCS

Gasoline Portable Concrete Mixer

Gasoline Portable Concrete Mixer Model: CM140G, CM140G-1, CM230G,



➔ CM140G



➔ CM230G



➔ CM140G-1

Model	CM140G	CM140G-1	CM230G
Drum Capacity	140L	140L	230L
Drum Diameter	Φ24"	Φ24"	Φ28"
Engine Power	2.5 HP	2.5 HP	2.5 HP
Carton Size	72X67X65cm	72X67X65cm	76X76X51cm
G.W./N.W.	62/57 kg	72/67 kg	71/66 kg
20*40*40HQ	72/153/204 PCS	72/153/204 PCS	91/204/234PCS

Electric Portable Concrete Mixer

Electric Portable Concrete Mixer Model: CM140, CM140-1, CM230



➔ CM140



➔ CM230



➔ CM140-1

Model	CM140	CM140-1	CM230	CM350
Drum Capacity	140L	140L	230L	350L
Drum Diameter	Φ24"	Φ24"	Φ28"	Φ28"
Motor Power	375W	375W	450W	1500W
Voltage	110/220/230/240V	110/220/230/240V	110/220/230/240V	110/220/230/240V
Carton Size	72X67X65cm	72X67X65cm	76X76X51cm	76X76X51cm
G.W./N.W.	49/44 kg	63/58 kg	62/56 kg	86kg
20*40*40HQ	72/153/204 PCS	72/153/204 PCS	91/204/234 PCS	91/204/234 PCS

Tilting Drum Concrete Mixer

Model:CM350-2C



Chassis Option:A type

Model	CM350-2C
Drum Capacity	350 Liter
Mixing Capacity	280 Liter
Productivity	4-5 m ³ /h
Bags of Cement Per Batch	1 bag (50kg/bag)
Drum Rotation Speed	25-30 RPM
Drum Thickness	3mm
Drum Size	Φ800*900 mm
Tyre Size and Number	(4.00-12)*2
Engine	Air-cooled Diesel Engine 6HP
Total Weight	260kg
Overall Size(L*W*H)	1960*1100*1700 mm
Packing Size(L*W*H)	1860*860*1100 mm

Tilting Drum Concrete Mixer

Model:CM350-4C

Model	CM350-4C
Drum Capacity	350 Liter
Mixing Capacity	280 Liter
Productivity	4-5 m ³ /h
Bags of Cement Per Batch	1 bag (50kg/bag)
Drum Rotation Speed	25-30 RPM
Drum Thickness	3mm
Drum Size	Φ800*900 mm
Tyre Size and Number	(4.00-12)*4
Engine	Air-cooled Diesel Engine 6HP
Total Weight	280kg
Overall Size(L*W*H)	1960*1100*1700 mm
Packing Size(L*W*H)	1860*860*1100 mm



Chassis Option:A type

Engine Option All brands Gasoline Engine , Water-cooled Diesel Engine and Electric Motor

Container Loading Plan 14 Sets with Assembled in 20GP Container, 24 Sets in CKD condition in 20GP Container
28 Sets with Assembled in 40HQ Container, 60 Sets in CKD condition in 40HQ Container

Tilting Drum Concrete Mixer

Model:CM400-2C



Model	CM400-2C
Drum Capacity	400 Liter
Mixing Capacity	320 Liter
Productivity	5-6 m ³ /h
Bags of Cement Per Batch	1 bag (50kg/bag)
Drum Rotation Speed	25-30 RPM
Drum Thickness	3mm
Drum Size	Φ850*900 mm
Tyre Size and Number	(4.00-12)*2
Engine	Air-cooled Diesel Engine 6HP
Total Weight	290kg
Overall Size(L*W*H)	2060*1200*1700 mm
Packing Size(L*W*H)	1960*960*1200 mm

Tilting Drum Concrete Mixer

Model:CM400-4C

Model	CM400-4C
Drum Capacity	400 Liter
Mixing Capacity	320 Liter
Productivity	5-6 m ³ /h
Bags of Cement Per Batch	1 bag (50kg/bag)
Drum Rotation Speed	25-30 RPM
Drum Thickness	3mm
Drum Size	Φ850*900 mm
Tyre Size and Number	(4.00-12)*4
Engine	Air-cooled Diesel Engine 6HP
Total Weight	310kg
Overall Size(L*W*H)	2060*1200*1700 mm
Packing Size(L*W*H)	1960*960*1200 mm



Engine Option All brands Gasoline Engine , Water-cooled Diesel Engine and Electric Motor

Container Loading Plan 12 Sets with Assembled in 20GP Container, 24 Sets in CKD condition in 20GP Container
26 Sets with Assembled in 40HQ Container, 54 Sets in CKD condition in 40HQ Container

Tilting Drum Concrete Mixer

Model:CM500-2C



Model	CM500-2C
Drum Capacity	500 Liter
Mixing Capacity	400 Liter
Productivity	6-8 m ³ /h
Bags of Cement Per Batch	1.5 bag (50kg/bag)
Drum Rotation Speed	25-30 RPM
Drum Thickness	3mm
Drum Size	Φ950*900 mm
Tyre Size and Number	(4.00-12)*2
Engine	Air-cooled Diesel Engine 10HP
Total Weight	310kg
Overall Size(L*W*H)	2160*1200*1700 mm
Packing Size(L*W*H)	2060*1060*1250 mm

Engine Option All brands Gasoline Engine , Water-cooled Diesel Engine and Electric Motor

Container Loading Plan 10 Sets with Assembled in 20GP Container, 20 Sets in CKD condition in 20GP Container

26 Sets with Assembled in 40HQ Container, 52 Sets in CKD condition in 40HQ Container

Tilting Drum Concrete Mixer

Model:CM500-4C

Model	CM500-4C
Drum Capacity	500 Liter
Mixing Capacity	400 Liter
Productivity	6-8 m ³ /h
Bags of Cement Per Batch	1.5 bag (50kg/bag)
Drum Rotation Speed	25-30 RPM
Drum Thickness	3mm
Drum Size	Φ950*900 mm
Tyre Size and Number	(4.00-12)*4
Engine	Air-cooled Diesel Engine 10HP
Total Weight	330kg
Overall Size(L*W*H)	2160*1200*1700 mm
Packing Size(L*W*H)	2060*1060*1250 mm



Engine Option All brands Gasoline Engine , Water-cooled Diesel Engine and Electric Motor

Container Loading Plan 10 Sets with Assembled in 20GP Container, 20 Sets in CKD condition in 20GP Container

26 Sets with Assembled in 40HQ Container, 52 Sets in CKD condition in 40HQ Container

Tilting Drum Concrete Mixer

Model:CM500-4D



Model	CM500-4D
Drum Capacity	500 Liter
Mixing Capacity	400 Liter
Productivity	6-8 m ³ /h
Bags of Cement Per Batch	1.5 bag (50kg/bag)
Drum Rotation Speed	25-30 RPM
Drum Thickness	3mm
Drum Size	Φ950*900 mm
Tyre Size and Number	(4.00-12)*4
Engine	Air-cooled Diesel Engine 10HP
Total Weight	370kg
Overall Size(L*W*H)	2160*1200*1700 mm
Packing Size(L*W*H)	2060*1060*1250 mm

Engine Option All brands Gasoline Engine , Water-cooled Diesel Engine and Electric Motor

Container Loading Plan 10 Sets with Assembled in 20GP Container, 20 Sets in CKD condition in 20GP Container

26 Sets with Assembled in 40HQ Container, 52 Sets in CKD condition in 40HQ Container

Tilting Drum Concrete Mixer

Model:CM700-4D

Model	CM700-4D
Drum Capacity	700 Liter
Mixing Capacity	560 Liter
Productivity	8-10 m ³ /h
Bags of Cement Per Batch	2 bag (50kg/bag)
Drum Rotation Speed	25-30 RPM
Drum Thickness	3mm
Drum Size	Φ950*1050 mm
Tyre Size and Number	(5.00-12)*4
Engine	Water-cooled Diesel Engine 16HP,Electric Start
Total Weight	580 kg
Overall Size(L*W*H)	2200*1500*1850 mm
Packing Size(L*W*H)	2100*1060*1350 mm



Engine Option All brands Gasoline Engine , Water-cooled Diesel Engine and Electric Motor

Container Loading Plan 5 Sets with Assembled in 20GP Container, 24 Sets with Assembled in 40HQ Container

Tilting Drum Concrete Mixer

(with Hydraulic Tipping Hopper and Hydraulic Tilting Drum)

Model: TDCM500-DHT

Model	TDCM500-DHT
Drum Capacity	500 L
Mixing Capacity	400 L
Water Tank Capacity	60 L
Productivity	8-10 m ³ /h
Bags of Cement per Batch	1.5 Bag Cement
Drum Rotation Speed	20-22 rpm
Mixing Drum Size	Φ950×900 mm
Diesel Engine Type	Air-cooled Diesel Engine 186FS(10HP)
Transmission Way	By Chain
Tyre Number	2 x (6.50-16)
Total Weight	700 kg
Packing Size (L×W×H)	2080×1520×1980 mm
Container Loading Plan	4 Sets Per 20GP, 16 Sets Per 40HQ



Tilting Drum Concrete Mixer

(with Hydraulic Tipping Hopper and Mechanical Tilting Drum)

Model: TDCM500-DH



Model	TDCM500-DH
Drum Capacity	500 L
Mixing Capacity	400 L
Productivity	8-10 m ³ /h
Bags of Cement per Batch	1.5 Bag Cement
Drum Rotation Speed	20-22 rpm
Mixing Drum Size	Φ950×900 mm
Engine Option	Air-cooled Diesel Engine 186FS (10HP)
	Water-cooled CHANGWU Diesel Engine S1100 (16HP)
	Water-cooled CHANGCHAI Diesel Engine ZS1100 (16HP)
Transmission Way	By Chain
Tyre Number	4x(6.50-16)
Total Weight	1100 kg
Packing Dimension (L×W×H)	2300×1250×2000 mm
Container Loading Plan	5 Sets Per 20GP, 10 Sets Per 40HQ

Tilting Drum Concrete Mixer

(with Diesel Engine Power and Wire Rope Hoisting Hopper)

Model: TDCM500-DW

Model	TDCM500-DW
Drum Capacity	500 L
Mixing Capacity	400 L
Productivity	8-10 m ³ /h
Bags of Cement per Batch	1.5 Bag Cement
Drum Rotation Speed	20-22 rpm
Mixing Drum Size	Φ950×900 mm
Power Option	Air-cooled Diesel Engine 186FS (10HP)
	Water-cooled CHANGWU Diesel Engine S1100 (16HP)
	Water-cooled CHANGCHAI Diesel Engine ZS1100 (16HP)
Transmission Way	By Chain
Tyre Number	2 x (6.50-16)
Total Weight	1200 kg
Packing Size (L×W×H)	2200×1300×2250mm
Container Loading Plan	5 Sets Per 20GP, 10 Sets Per 40HQ



Tilting Drum Concrete Mixer

(with Diesel Engine Power and Lifting Hopper)

Model: TDCM500-DL



Model	TDCM500-DL
Drum Capacity	500 L
Mixing Capacity	400 L
Lifting Bucket Capacity	200L
Productivity	8-10 m ³ /h
Bags of Cement per Batch	1.5 Bag Cement
Drum Rotation Speed	20-22 rpm
Drum Size	Φ950×900 mm
Engine Option	Air-cooled Diesel Engine 186FS (10HP)
	Water-cooled CHANGWU Diesel Engine S1100 (16HP)
	Water-cooled CHANGCHAI Diesel Engine ZS1100 (16HP)
Transmission Way	By Chain
Rated Lifting Height	12 m (with Ladder)
	24 m (without Ladder)
Tyre Number	4x(6.50-16)
Total Weight	1400 kg
Packing Size (L×W×H)	2200×1300×2250mm
Container Loading Plan	4 Sets Per 20GP, 8 Sets Per 40HQ

Reversing Drum Concrete Mixer

(with Diesel Engine Power and Hydraulic Tipping Hopper)

Model: JZC350-DH



Model: JZC500-DH



Model: JZC750-DH



Model	JZC350-DH	JZC500-DH	JZC750-DH
Discharging Capacity	350 L	500 L	750 L
Loading Capacity	560 L	800 L	1200L
Productivity	10-14 m ³ /h	18-20 m ³ /h	22-30m ³ /h
Bags of Cement per Batch	2 Bags Cement	3 Bags Cement	5 Bags Cement
Drum Thickness	6 mm	8 mm	8 mm
Drum Size	Φ1460×1820 mm	Φ1588×2070 mm	Φ1580*2270 mm
Engine Option	Water-cooled CHANGWU Diesel Engine S1100 (16HP) 	Water-cooled CHANGWU Diesel Engine S1115 (22HP) 	Water-cooled CHANGWU Brand Diesel Engine L24M,25HP
Displacement of Hydraulic Pump	25 mL/r	25 mL/r	25 mL/r
Drum Rotation Speed	14 rpm	13rpm	13rpm
Max. Size of Aggregate	60 mm	80 mm	80 mm
Tyre Size	6.50-16	6.50-16	7.50-16
Total Weight	1600kg	2000kg	2200kg
Overall Size (L×W×H)	3300×2300×3100 mm	3600×2400×3200 mm	3600×2400×3200 mm
Packing Size (L×W×H)	2200×2000×2500 mm	2500×2200×2500 mm	2700×2200×2550mm
Container Loading Plan	2 Sets Per 20GP, 6 Sets Per 40 HQ	2 Sets Per 20GP, 5 Sets Per 40 HQ	2 Sets Per 20GP, 5 Sets Per 40 HQ

Reversing Drum Concrete Mixer

(with Diesel Engine Power and Wire Rope Hoisting Hopper)

Model: JZC350-DEW



Model: JZC350-DW



Model	JZC350-DEW	JZC350-DW
Engine & Motor		
Electric Motor Power	380V,50HZ,5.5kW	—
Power of Water Pump	380V,50HZ,0.75kW	—
Diesel Engine Option	Water-cooled CHANGWU Diesel Engine,S1100,16HP 	
Mixer Specs		
Discharging Capacity	350 L	350 L
Loading Capacity	560 L	560 L
Productivity	10-14 m ³ /h	10-14 m ³ /h
Bags of Cement per Batch	2 Bags Cement	2 Bags Cement
Drum Thickness	6 mm	6 mm
Drum Size	Φ1460×1760 mm	Φ1460×1760 mm
Drum Rotation Speed	14 rpm	14 rpm
Max. Size of Aggregate	60 mm	60 mm
Tyre Size	6.50-16	6.50-16
Total Weight	1800kgs	1550kgs
Overall Size (L×W×H)	3300×2300×3100 mm	3300×2300×3100 mm
Packing Size (L×W×H)	2200×2000×2500 mm	2200×2000×2500 mm
Container Loading Plan	2 Sets Per 20GP, 6 Sets Per 40 HQ	2 Sets Per 20GP, 6 Sets Per 40 HQ

Reversing Drum Concrete Mixer

(with Electric Motor Power and Wire Rope Hoisting Hopper)

Model: JZC350-EW

Model	JZC350-EW
Discharging Capacity	350 L
Loading Capacity	560 L
Productivity	10-14 m ³ /h
Bags of Cement per Batch	2 Bags Cement
Drum Thickness	6 mm
Drum Size	Φ1460×1820 mm
Mixing Motor Power	5.5 kW
Water Pump Power	0.55 kW
Accuracy of Water Supply	Error ≤ 2%
Speed of Mixing Drum	14 rpm
Max Size of Aggregate	Φ60 mm
Tyre Size	6.50-16
Voltage Standard	3-Phase, 380V, 50Hz
Total Weight	1350kg
Overall Size (L×W×H)	3300×2300×3100 mm
Packing Size (L×W×H)	2300×2100×2500 mm
Container Loading Plan	2 Sets /20GP, 5 Sets /40HQ



Reversing Drum Concrete Mixer

(with Electric Motor Power and Hydraulic Tipping Hopper)

Model: JZC350-EH

Model	JZC350-EH
Discharging Capacity	350 L
Loading Capacity	560 L
Productivity	10-14m ³ /h
Bags of Cement per Batch	2 Bag Cement
Drum Thickness	6 mm
Drum Size	Φ1460×1820 mm
Power of Motor of Mixing Drum	5.5 kW
Power of Motor of Tipping Hopper	3 kW
Power of Water Pump	0.55 kW
Displacement of Hydraulic Pump	25 mL/r
Speed of Mixing Drum	14 rpm
Max. Size of Aggregate	60 mm
Tyre Size	6.50-16
Voltage Standard	380V, 50Hz, 3-Phase
Total Weight	1500kg
Overall Size (L×W×H)	3300×2300×3100 mm
Packing Size (L×W×H)	2200×2000×2500 mm
Container Loading Plan	2 Sets Per 20GP, 6 Sets Per 40 HQ



Reversing Drum Concrete Mixer

(with Electric Motor Power and Wire Rope Hoisting Hopper)

Model: JZC500-EW



Remote Control

Model	JZC500-EW
Discharging Capacity	500 L
Loading Capacity	800 L
Productivity	18-20 m ³ /h
Bags of Cement per Batch	3 Bags Cement
Drum Thickness	8 mm
Mixing Motor Power	2 × 5.5 kW
Hoist Motor Power	5.5 kW
Water Pump Power	0.75 kW
Accuracy of Water Supply	Error ≤ 2%
Speed of Mixing Drum	13 rpm
Max Size of Aggregate	Φ80 mm
Tyre Size	7.00-16
Voltage Standard	3-Phase, 380V, 50HZ
Total Weight	2000kg
Overall Size (L×W×H)	4000×2300× 3500 mm
Packing Size (L×W×H)	3800×2200× 2500mm
Container Loading Plan	1 Sets /20GP, 3 Sets /40HQ

Concrete Mixer With Winch

Model: A2-510 LT

About the A2-510 LT

The A2-510 LT concrete mixer is designed in every detail to deliver the best performance in its class. The operator of the A2-510 LT mixer will instantly notice the difference in the performance of the machine and will appreciate the safety measures we have added to the design. Other patent features that can only be found on our products include, but not limited to, the following:



1. Winch / Elevator:

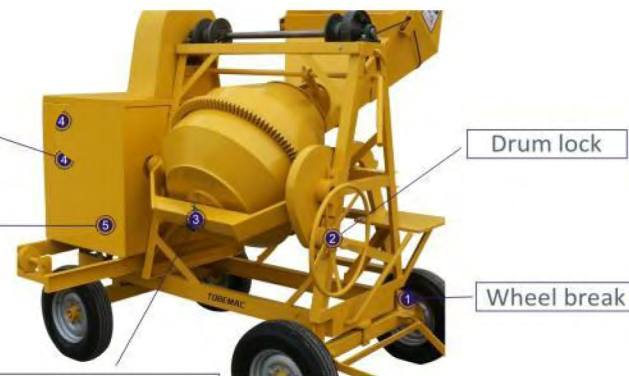
The winch is placed in an innovative way to minimize the operating hazards of the bucket and the barrel. Our design of the winch includes automatic breaking and a safety cover around the winch to reduce any damage to the sprockets in case the winch-rope breaks.

2. Other Features:

All sprockets are manufactured by machines

A cover around the pinion gear, the steering gear, the cable buckets, and the elevator to insure operator safety and durability of the mixer

Squared drum nut with a screw to avoid bearing damage



Drum lock

Wheel break

Concrete Mixer With Winch

Model: A2-510 LT

Accessories

- 1 PCS of Lifting Bucket
- 1 PCS of Wheel Barrow
- 1 PCS of Pulley Bracket
- Wire-rope length: 60m



Model	A2-510	
Drum Capacity	L	510
Mixing Capacity	L	350
Concrete Output	m ³ /h	12
Engine Model	ZS1100	
Engine Type	Horizontal, Single Cylinder, Four-stroked and Water Cooled	
Rated Rotating Speed	RPM	2200
Engine Power	Hp	16
Winch/Elevator	With winch	
Lifting Height	m	25
Diameter of Wire-rope	mm	12
Wheel Size	6.50-16	
Total Weight	Kg	1700
Overall Size (L×W×H)	mm	2300 x 1350 x 2750

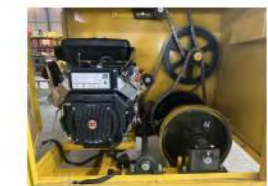


Engine Option :

India Engine 16HP



Air-cooled Diesel engine , Double cylinder



Container Loading Plan :

- 4 Sets with **assembled** load in 20 feet container.
- 9 Sets with **assembled** load in 40 feet container.
- 8 sets with **Complete Knock Down** load in 20 feet container.
- 18 sets with **Complete Knock Down** load in 40 feet container.

Reversing Drum Concrete Mixer

(with Diesel Engine Power and Hydraulic Lifting Bucket)

Model: JZC350-DHL

Model	JZC350-DHL
Discharging Capacity	350 L
Loading Capacity	560 L
Lifting Bucket Capacity	200 L
Productivity	10-14 m ³ /h
Bags of Cement per Batch	2 Bag Cement
Drum Thickness	6 mm
Drum Size	Φ1460×1760 mm
Rated Lifting Height	17m
Engine Option	Water-cooled JIANGDONG Diesel Engine ZS1100 (16HP)
	Water-cooled CHANGFA Diesel Engine CF1100 (16HP)
	Water-cooled CHANGCHAI Diesel Engine ZS1100 (16HP)
	Water-cooled CHANGCHAI Diesel Engine ZS1100 (16HP)
Displace of Hydraulic Pump	25 mL/r
Max. Size of Aggregate	60 mm
Drum Rotation Speed	14 rpm
Total Weight	2300 kg
Overall Size (L×W×H)	3300×2300×3100 mm
Packing Size (L×W×H)	2300×2000×2500 mm
Container Loading Plan	2 Sets/ 20GP, 5 Sets /40 HQ



Wheel Barrow
Max Load: 200 kg



Reversing Drum Concrete Mixer

(with Electric Motor Power and Mechanical Lifting Bucket)

Model: JZC350-EML

Model	JZC350-EML
Discharging Capacity	350 L
Loading Capacity	560 L
Lifting Bucket Capacity	200 L
Productivity	10-14 m ³ /h
Bags of Cement per Batch	2 Bags Cement
Drum Thickness	6 mm
Drum Size	Φ1460×1820 mm
Rated Lifting Height	17m
Mixing Motor Power	5.5 kW
Hoisting Motor Power	4.5 kW
Power of Water Pump	0.55 kW
Max. Size of Aggregate	60 mm
Drum Rotation Speed	14 rpm
Total Weight	1800 kg
Overall Size (L×W×H)	3300×2300×3100 mm
Packing Size (L×W×H)	2300×1900×2500 mm
Container Loading Plan	2 Sets/ 20GP, 5 Sets /40 HQ



Reversing Drum Concrete Mixer

(with Electric Motor Power and Sliding Hopper)

Model: JZM350, JZM500, JZM750



Model	JZM350	JZM500	JZM750
Discharging Capacity	350 L	500 L	750 L
Loading Capacity	560 L	800 L	1200 L
Productivity	10-14 m ³ /h	18-20 m ³ /h	20-23 m ³ /h
Bags of Cement per Batch	2 Bags Cement	3 Bags Cement	4 Bags Cement
Drum Thickness	8 mm	8 mm	8 mm
Mixing Motor Power	5.5 kW	2x 5.5 kW	2x7.5 kW
Hoisting Motor Power	4.5 kW	5.5 kW	7.5 kW
Water Pump Power	0.55 kW	0.55 kW	1.1 kW
Speed of Mixing Drum	14 rpm	13 rpm	13 rpm
Max. Size of Aggregate	Φ60 mm	Φ80 mm	Φ80 mm
Total Weight	1700 kg	2500 kg	3800 kg
Overall Size (L×W×H)	3300×2300×3100 mm	3900×2200×3800 mm	4900×2000×4600 mm
Packing Size (L×W×H)	3000×2100×2500 mm	3900×2200×2500 mm	4900×2000×2500 mm
Container Loading Plan	2 Sets / 20GP, 4 Sets /40HQ	1 Set / 20GP, 3 Sets /40HQ	2 Sets /40HQ

Standing Type Concrete Mixer

Model: JQ350, JQ500



Model	JQ350	JQ500
Drum Capacity	350 L	500 L
Productivity	≥4m ³ /h	≥8m ³ /h
Bags of Cement per Batch	1 Bag Cement	2 Bag Cement
Drum Size	Φ1100x500 mm	Φ1500x500 mm
Mixing Blade Number	3 PCS	4 PCS
Max. Aggregate Diameter	Φ60mm	Φ60mm
Drum Thickness	5 mm	5mm
Power Option	Electric Motor (5.5 kW)	Electric Motor (5.5 kW)
	186FS, Diesel Engine(10HP)	186FS, Diesel Engine(10HP)
Total Weight	350 kg	510 kg
Overall Size (L×W×H)	1130×1130×1210 mm	1530×1530×1210 mm

Standing Type Concrete Mixer

Model: JZC200, JZC300

Model	JZC200	JZC300
Discharging Capacity	200 L	300 L
Loading Capacity	320 L	480 L
Productivity	≥4m ³ /h	≥6m ³ /h
Bags of Cement per Batch	1 Bag Cement	1.5 Bag Cement
Drum Size	Φ1080x1300 mm	Φ1080x1600mm
Max. Aggregate Diameter	Φ 60mm	Φ 60mm
Drum Thickness	4 mm	4 mm
Power Option	Electric Motor (3 kW)	Electric Motor (3 kW)
	178FS, Diesel Engine(6HP)	186FS, Diesel Engine(10HP)
Total Weight	220 kg	270 kg
Overall Size (L×W×H)	1350×1200×1550 mm	1700×1200×1650mm



Twin Shaft Concrete Mixer

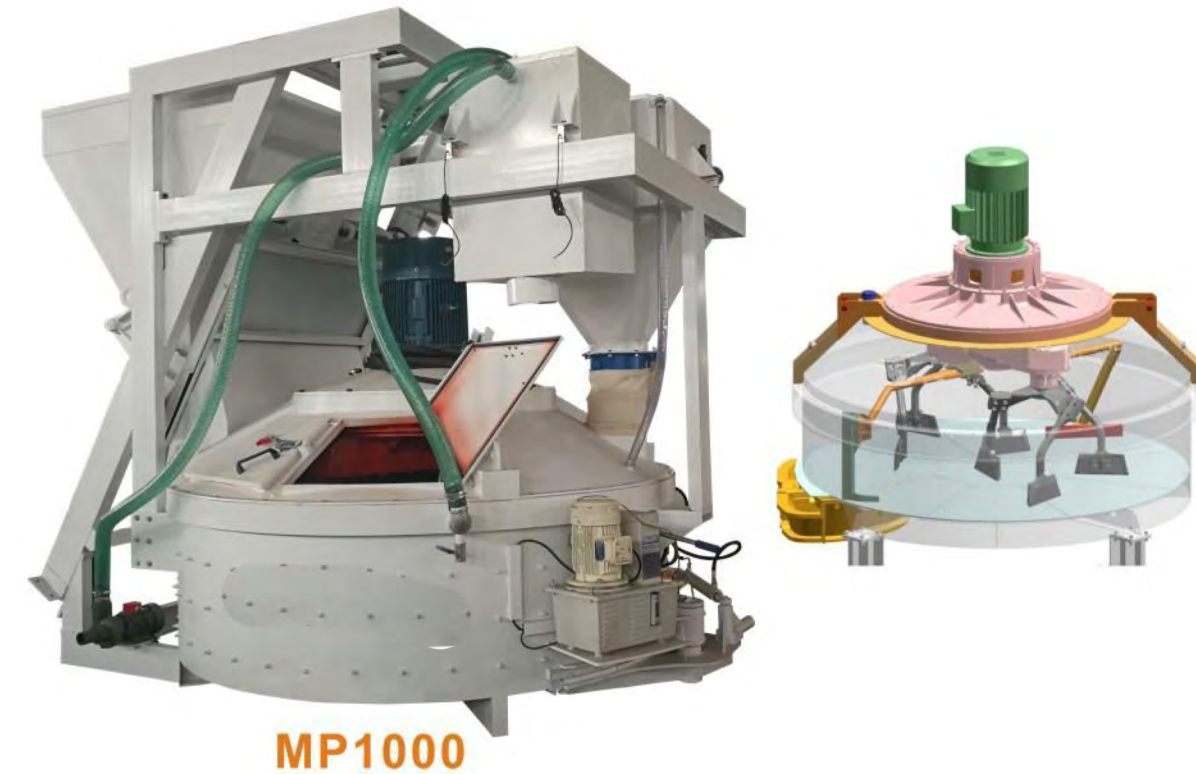
Model: JS500, JS750, JS1000



Model	JS500	JS750	JS1000
Discharging Capacity	500L	750 L	1000L
Loading Capacity	800L	1200L	1600L
Productivity	≥25m³/h	≥35m³/h	≥50m³/h
Bags of Cement per Batch	1.5 m or 3.8m	1.5 m or 3.8m	3.8m
Max. Size of Aggregate	80 mm	80 mm	80mm
Number of Mixing Blade	2x7	2x7	2x8
Speed of Mixing Blade	31r/min	31 r/min	25 r/min
Mixing Motor Power	18.5 kW	30 kW	37 kW
Hoisting Motor Power	5.5 kW	7.5 kW	11 kW
Water Pump Power	0.75 kW	1.1 kW	3 kW
Total Weight	4500 kg	6500 kg	8500 kg
Overall Size (L×W×H)	4450×3100×5200 mm	5100×3600×6200 mm	8700×3400×9500 mm
Packing Size (L×W×H)	3000×2200×2500 mm	3700×2250×2500 mm	4600×2250×2550 mm
Container Loading Plan	1 Set/20GP, 3 Sets/40HQ	1 Set /20GP, 3 Sets/40HQ	2 Sets/40HQ

Planetary Concrete Mixer

Model: MP500, MP750, MP1000



Model	MP500	MP750	MP1000
Output Volume	500 L	750 L	1000 L
Input Volume	750 L	1125 L	1500 L
Output Mass	1200 kg	1800 kg	2400 kg
Mixing Drum Diameter	Φ2000 mm	Φ2200 mm	Φ2300 mm
Productivity	≥30 m³/h	≥40 m³/h	≥60 m³/h
Max Size of Aggregate	Φ 80 mm	Φ 80 mm	Φ 80 mm
Mixing Motor Power	18.5 kW	30 kW	37 kW
Hoisting Motor Power	5.5 kW	7.5 kW	11 kW
Discharging Motor Power	3 kW	3 kW	3 kW
Water Pump Power	0.75 kW	1.1 kW	3 kW
Planet /Scraper	1 nr / 2 nr	1 nr / 3 nr	2 nr / 2 nr
Side Paddle	1 nr	1 nr	1 nr
Discharge Paddle	1 nr	1 nr	1 nr
Total Weight	3100 kg	4500 kg	6800 kg
Packing Size (L×W×H)	3100×2100×2000 mm	3400×2300×2200 mm	4200×2350×2500 mm
Container Loading Plan	1 Set/20GP, 3 Sets/40HQ	1 Set/20GP, 2 Sets/40HQ	2 Sets/40HQ

Bolted Type Cement Silo

Model: BS50, BS80, BS100

Model	BS50	BS80	BS100
Rated Load	50 Ton	80 Ton	100 Ton
Tank Diameter	Φ3m	Φ3m	Φ3m
Tank Height	4.5 m	7.5 m	9 m
Cone Height	2.6 m	2.6 m	2.6 m
Discharge Height	≥1.5 m	≥1.5 m	≥1.5 m
Total Weight	2700kg	4500 kg	4800 kg



Screw Conveyor

Model: LSY194, LSY219, LSY273

Model	LSY194	LSY219	LSY273
Shell Diameter	Φ194mm	Φ 219mm	Φ273mm
Spiral Body Diameter	Φ163	Φ185	Φ237
Conveying Length	2.5~6 m	4.5~12 m	6~9 m
Conveying Capacity	25 t/h	35 t/h	50 t/h
Working Angle	≤20°	≤45°	≤45°
Electric Motor Power	3~5.5 kW	5.5~11 kW	7.5~11kW



Concrete Batching Machine

Model: PLD800-2, PLD800-3, PLD1200-2, PLD1200-3, PLD1600-3

Model	PLD800-2	PLD800-3	PLD1200-2	PLD1200-3	PLD1600-3
Weighing Hopper Capacity	800 L	800 L	1200 L	1200 L	1600 L
Storage Hopper Capacity	2000 L×2	2000 L×3	2500 L×2	2500 L×3	3500 L×3
Productivity	48 m3/h	48 m3/h	60 m3/h	60 m3/h	80 m3/h
Max. Weighing Capacity	1500 kg	1500 kg	2000 kg	2000 kg	3000 kg
Feeding Height	2300 mm	2300 mm	2600 mm	2600 mm	2800 mm
Electric Motor Power	3×3 kW	4×3 kW	3×3 kW	3×3kW+1×4KW	4×4 kW
Total Weight	1900 kg	3100 kg	2700 kg	4200 kg	4800 kg
Packing Size (L×W×H)	5600×1700×2100mm	8200×2020×2500mm	5600×2020×2500mm	9000×2020×2550mm	9600×2000×2500mm
Container Loading Plan	1 Set /20GP, 2 Sets/ 40HQ	1Set Per 40HQ	2 Sets Per 40HQ	1 Set Per 40HQ	1 Set Per 40HQ



Concrete Batching Plant

Model: HZS25, HZS35, HZS50



Total	Model	HZS25	HZS35	HZS50
Batching Plant System	Max. Productivity	25 m3/h	35 m3/h	50 m3/h
	Discharge Height	1.5m or 3.8 m	3.8 m	3.8 m
	Operation Cycle Time	72 s	72 s	72 s
	Total Power	50 kW	75 kW	105 kW
Concrete Mixer	Model	JS500	JS750	JS1000
	Concrete Batching Machine	Model	PLD800	PLD1200
Weighing System	Aggregate Weighing Capacity	1500 kg	2000 kg	3000 kg
	Cement Weighing Capacity	250 kg	400 kg	400 kg
	Cement Weighing Capacity	250 kg	400 kg	600 kg
	Water Weighing Capacity	120 kg	150 kg	250 kg
	Admixture Weighing Capacity	20 kg	20 kg	30 kg
	Air Compressor Model	V-40/8	V-67/8	W-67/8
Pneumatic System	Rated Air Displacement	0.4m3/min	0.67 m3/ min	0.67 m3/ min
	Electric Motor Power	4 kw	5.5 kw	5.5 kw
Cement Silo	Model	BS50 (1 PCS)	BS50(2 PCS)	BS100 (2 PCS)
Screw Conveyor	Model	LSY219 (1 PCS)	LSY219 (2 PCS)	LSY219 (2 PCS)

Electric Concrete Mixer With Pump

Model : JBT50-10-50



Pumping System	
Max. Theoretic Delivery Capacity	50 m ³ /h
Max. Theoretic Outlet Pressure	10 Mpa
Concrete Cylinder(Bore× Stroke)	Φ200×800 2pcs
Main Oil Cylinder (Bore× Stroke)	XIELI Brand Φ100×φ70×800 2pcs
Outlet Diameter	Φ150 mm
Inner Diameter of Delivery Pipe	Φ120 mm
Pumping Hopper Capacity	0.7 m ³
Hydraulic Oil Tank Capacity	350 Liter
Distribution Valve Type	S Valve
Main Oil Pump Brand	KOREA KAWASAKI
Concrete Slump Scope	160~220 mm
Feeding Height	1120 mm
Max. Size of Aggregate	Φ30 mm
Theoretic Vertical Delivery Distance	180 m
Theoretic Horizontal Delivery Distance	400 m
Mixing System	
Model	JZC450
Discharging Volume	450 Liter
Feeding Volume	720 Liter
Productivity	18 m ³ /h
Bags of Cement per Batch	2 Bags Cement (50kg/bag)
Mixing Drum Size	Φ1460×1800 mm
Tipping Method of Feeding Hopper	By Sliding hopper
Power System	
Power Type	Electric Motor
Engine Rated Speed	1480rpm
Pump Motor Power	37kW
Mixing Motor	5.5kw
Lifting Motor	4.5kw
Water Pump	0.75kW
Overall Performance	
Host Machine Weight	4500 kg
Overall Size	5100×2120×2700
Container Loading Plan	1 set in a 20 feet container 2 sets in a 40feet container

Diesel Concrete Mixer with Pump

Model:JBT50-10-85



Pumping System	
Max. Theoretic Delivery Capacity	50 m ³ /h
Max. Theoretic Outlet Pressure	10 Mpa
Concrete Cylinder(Bore× Stroke)	Φ200×800 2pcs
Main Oil Cylinder (Bore× Stroke)	XIELI Brand Φ100×φ70×800 2pcs
Outlet Diameter	Φ150 mm
Inner Diameter of Delivery Pipe	Φ120 mm
Pumping Hopper Capacity	0.7 m ³
Hydraulic Oil Tank Capacity	350 Liter
Distribution Valve Type	S Valve
Main Oil Pump Brand	KOREA KAWASAKI
Concrete Slump Scope	160~220 mm
Feeding Height	1120 mm
Max. Size of Aggregate	Φ30 mm
Theoretic Vertical Delivery Distance	180 m
Theoretic Horizontal Delivery Distance	400 m
Mixing System	
Model	JZC450
Discharging Volume	450 Liter
Feeding Volume	720 Liter
Productivity	18 m ³ /h
Bags of Cement per Batch	2 Bags Cement (50kg/bag)
Mixing Drum Size	Φ1460×1800 mm
Tipping Method of Feeding Hopper	By Sliding hopper
Power System	
Power Type	Diesel Engine
Engine Brand	WEICHA
Engine Model	WP4.1D80E201
Engine Rated Power	85 kW
Rated Speed	1800 rpm
Compression ratio	17.5
Displacement	4.087 L
Engine Type	4 Cylinder,8Valves,L-type,,Turbocharged
Overall Performance	
Host Machine Weight	5600 kg
Overall Size	5300×2150×2700
Container Loading Plan	1 set in a 20 feet container 2 sets in a 40feet container

Electric Concrete Pump



Model		HBTS20-6-30	HBTS30-8-37	HBTS40-11-45	HBTS50-13-55	HBTS60-13-90	HBT80-16-110	
Delivery Pressure (Mpa)	High Pressure	10	10	11	13	13	16	
	Low Pressure	5	5	6	6	6	8	
Output(m³/h)	High Speed	13	30	40	50	60	80	
	Low Speed	7	20	25	30	37	50	
Max convey distance(m)	Horizon	200	300	450	400	600	650	
	Vertical	60	110	180	150	180	180	
Power mode	Electric Motor	30KW	37KW	45KW	55KW	90KW	110KW	
Speed	R/min	1480	1480	1480	1480	1480	1480	
Diameter of delivery cylinder	mm	100	100	180	180	180	200	
Max. diameter of aggregates (mm)	Inner diameter of Pipe	Φ76mm	25	25				
		Φ89mm	30	30				
		Φ108mm			35			
		Φ133mm			40	40	40	40
		Φ150mm				45	45	45
High-low pressure switching	/	Have	Have	Have	Have	Have	Have	
Hopper capacity	M³	0.3	0.4	0.4	0.6	0.6	0.6	
Hopper height	Mm	1000	1260	1260	1260	1400	1400	
Hydraulic Oil tank capacity	L	120	200	300	400	550	550	
Valve type	/	S	S	S	S	S	S	
Total weight	Kg	2500	1700	3000	5200	5600	6000	
Overall Size	Mm	3000X1350X1500	3200x1350x1700	4200x1660x1700	4500x1800x1800	5400X1800X1965	5400X1882X1965	

Diesel Concrete Pump



Model		HBTS20-10-30	HBTS30-10-45	HBTS40-11-66	HBTS50-13-90	HBTS60-13-132	HBT80-16-176	
Delivery PRESSURE (Mpa)	High Pressure	10	10	11	13	13	16	
	Low Pressure	5	5	6	6	6	8	
Output(m³/h)	High Speed	13	30	40	50	60	80	
	Low Speed	7	20	25	30	37	50	
Max convey distance(m)	Horizon	200	300	450	400	600	650	
	Vertical	60	110	180	150	180	180	
Engine power(kw)	Diesel Engine	30kw	45kw	66kw	90kw	132kw	176kw	
Engine Speed	R/min	1800	1800	1800	1800	1800	1800	
Diameter of delivery cylinder	Mm	100	100	180	180	180	200	
Max. diameter of aggregates (mm)	Inner diameter of Pipe	Φ76mm	25	25				
		Φ89mm	30	30				
		Φ108mm			35			
		Φ133mm			40	40	40	40
		Φ150mm				45	45	45
High-low pressure switching	/	Have	Have	Have	Have	Have	Have	
Hopper capacity	M³	0.3	0.4	0.4	0.6	0.6	0.6	
Hopper height	Mm	1000	1260	1260	1260	1400	1400	
Hydraulic Oil tank capacity	L	120	200	300	400	550	550	
Valve type	/	S	S	S	S	S	S	
Total weight	Kg	2200	2800	3800	4600	5600	6600	
Overall Size	Mm	3000X1350X1500	3600x1350x1700	4200x1660x1700	4800x1800x1800	6200X2100x2450	6600X2100x2600	

Self Loading Concrete Mixer Truck



Vehicle Cab in front

Model	CMT7500	CMT6500	CMT5500	CMT4000	CMT3200	CMT2500
Mixing Capacity	7.5 m ³	6.5 m ³	5.5 m ³	4 m ³	3.2 m ³	2.5m ³
Discharging Capacity per batch	5 m ³	4 m ³	3.5 m ³	3 m ³	2 m ³	1.5 m ³
Machine size (L×W×H) (mm)	6900×2950×3600	"7150×2640×4330 (Lifting arm) 8580×2640×3330 (Drop arm) "	"6700×2640×4220 (Lifting arm) 7900×2640×3120 (Drop arm) "	"6700×2640×4220 (Lifting arm) 7900×2640×3070 (Drop arm) "	"5900×2350×3900 (Lifting arm) 7100×2350×2940 (Drop arm) "	"5300×2330×3610 (Lifting arm) 6800×2330×2780 (Drop arm) "
Wheelbase (mm)	3200	3200	3200	3200	2300	2300
Total weight(Kg)	12500	11000	9500	9000	7500	6200
Engine	Yuchai6105 supercharged country II standard	Yuchai6105 supercharged country II standard	Yuchai 4108 supercharged country II standard	4105 country II or 4102 supercharged country III standard	Yuchai4102 supercharged	Yuchai 4100 supercharged
Power (Kw)	92	92	91	85/90	78	73
Gearbox	315 Separated type	315 Separated type	315Separated type	280Separated type	280integral	265integral
Drive axle	front bridge 30S wet axle/rear axle 30	3.0T Wheel side deceleration Bridge	2.5T wheel side deceleration Bridge	2.5T Wheel side deceleration Bridge	2.0T wheel side deceleration Bridge	1.8T wheel side deceleration Bridge
Tires	Front4/ back2 , 16/70-R22.5	16/70-R 22.5 Double tire	16/70 R22.5 Double tire	16/70-R 22.5 Double tire	16/70 R22.5	20.5-16
Bucket capacity (m ³)	0.7	0.65	0.65	0.65	0.5	0.4
Mixing capacity (m ³)	≥4.5	≥3.8	≥3.3	≥2.8	≥1.8	≥1.3
Reduction ratio	1:103	1:103	1:28	1:28	1:28	1:28
Rotating speed(laps/minute)	≥15 laps/minute	≥15 laps/minute	≥15 laps/minute	≥15 laps/minute	≥15 laps/minute	≥15 laps/minute
Reducer	HL6F-B2700 Made in China	HL6F-B2700 Made in china	HL6F-B2700 Made in China	HL6F-B2700 Made in China	Made in China	Made in China
Travel speed (km/h)	25	25	25	25	25	25
Axle number traction type	4×4	4×4	4×4	4×4	4×4	4×4

Self Loading Concrete Mixer Truck



Vehicle Cab in back

Optional configuration



The cab is Two-way



High pressure car wash



Air conditioning



Hydraulic electronic balance

Optional configuration



The cab is Two-way



High pressure car wash



Air conditioning



Hydraulic electronic balance

Self Loading Concrete Mixer Truck



CMT1500

Model		CMT1500	
Mixing Capacity		1.5m ³	
DischargingCapacity		1.0 m ³	
Machine size (mm)	Horizontal rotation, Two way driving	5050×2350×3500 (Lifting arm)	One way driving wide 2150mm
	No horizontal rotation, Two way driving	6400×2350×2730 (Drop arm)	
Wheelbase (mm)		2180	
Total weight(Kg)		4500	
Engine		Yunnei490 supercharged	
Power (Kw)		55	
Gearbox		265 integral	
Drive axle		1.8T wheel side deceleration Bridge	
Tires		20.5-16	
Bucket capacity (m ³)		0.35	
Mixing capacity (m ³)		≥0.9	
Reduction ratio		1:24	
Rotating speed(laps/minute)		≥ 15 laps/minute	
Reducer		Made in China	
Travel speed (km/h)		25	
Axle number traction type		4×4	

Optional configuration



The cab is Two-way



High pressure car wash



Air conditioning



Hydraulic electronic balance

Self Loading Concrete Mixer Truck



CMT1000

Model		CMT1000	
Mixing Capacity		1.0m ³	
DischargingCapacity		0.7m ³	
Machine size (mm)		4800×2350×3080 (Lifting arm) 5900×2350×2660 (Drop arm)	
Wheelbase (mm)		2100	
Total weight(Kg)		3500	
Engine		Yunnei490/Xichai490	
Power (Kw)		42/33	
Gearbox		240 integral	
Drive axle		Isuzu Bridge	
Tires		20.5-16	
Bucket capacity (m ³)		0.15	
Mixing capacity (m ³)		≥0.6	
Reduction ratio		1:24	
Rotating speed(laps/minute)		≥ 15 laps/minute	
Reducer		Made in China	
Travel speed (km/h)		25	
Axle number traction type		4×4	

Optional configuration



Air conditioning

Concrete Mixer Tricycle

Model:HCY-2 (Chassis:Foton)



Model	HCY-2	Reducer	RONGJIAO
Mixing Volume	2 m ³	Hydraulic Pump	SHUNHANG
Geometric Volume	3.6 m ³	Hydraulic Motor	DALI
Inclination Angle	15°	Water Tank Capacity	200 L
Drum Diameter	Φ1.55 m	Tyre Size	6.50-16 (F) + 7.00-16 (R)
Drum Thickness	5 mm (Q345B)	Curb Weight	2600 kg
Diesel Engine	LAIDONG (32 HP)	Overall Size	5000×1900×2500 mm
Rear Axle	4×2+2	Container Loading Plan	2 Sets Per 40HQ

Concrete Mixer Truck

Model:HCY-4 (Chassis:Shifeng / Dongfeng)



Model	HCY-4	Reducer	RONGJIAO
Mixing Volume	4m ³	Hydraulic Pump	SHUNHANG
Geometric Volume	6.1 m ³	Hydraulic Motor	DALI
Inclination Angle	15°	Water Tank Capacity	300 L
Drum Diameter	Φ1.75 m	Tyre Size	7.50-16
Drum Thickness	5 mm (Q345B)	Curb Weight	3600 kg
Diesel Engine	FAW, 4102, 94 HP	Overall Size	6500×2050×2900 mm
Drive Type	4×2	Container Loading Plan	1 Set Per 40HQ

Concrete Mixer Truck

Model:HCY-6 (Chassis:Sinotruck / Shacman/Foton)



Model	HCY-6	Reducer	RONGJIAO
Mixing Volume	6 m ³	Hydraulic Pump	SUNNY
Geometric Volume	9.6 m ³	Hydraulic Motor	SUNNY
Drum Diameter	Φ2.05 m	Water Tank Capacity	300 L
Drum Thickness	5 mm (Q345B)	Tyre Size	9.00-20
Diesel Engine	YUCHAI, 4108, 170 HP	Curb Weight	7200 kg
Transmission	FAST, 8F + 2R	Overall Size	6900×2350×3500 mm
Drive Type	4×2	Container Loading Plan	1 Set Per 40HQ

Model:HCY-14 (Chassis:Shacman /Sinotruck)



Model	HCY-14	Reducer	BONFIGLIOLI
Mixing Volume	14 m ³	Hydraulic Pump	EATON
Geometric Volume	20.5 m ³	Hydraulic Motor	EATON
Drum Diameter	Φ2.4 m	Water Tank Capacity	400 L
Drum Thickness	5 mm (Q345B)	Tyre Size	12.00-20
Diesel Engine	WEICHAI, 6126, 336 HP	Curb Weight	15,000 kg
Transmission	FAST, 9 F + 2R	Overall Size	9850×2500×3950 mm
Drive Type	6×4	Container Loading Plan	1 Set Per 40 FR

Concrete Bucket

Model: CRB500, CRB800, CRB1000, MRB500, BLK800

Model	CRB500
Rated Capacity	500 L
Inlet Width	1190 mm
Bucket Depth	390x390mm
Total Weight	170 kg
Overall Size (LXWXH)	2150x1270x720mm



Model	CRB800
Rated Capacity	800 L
Inlet Diameter	Ø1080mm
Outlet Diameter	Φ350mm
Bottom Size	840x840 mm
Total Weight	165 kg
Overall Size (LXWXH)	1120x1120x1520 mm

Model	CRB1000
Rated Capacity	1000 L
Inlet Diameter	Φ1250 mm
Outlet Diameter	Φ 260 mm
Bottom Size	1330x1020 mm
Total Weight	270 kg
Overall Size (LXWXH)	1960x1020x1680 mm



Model	MRB500
Rated Capacity	500 L
Inlet Width	885 mm
Outlet Size	190x150 mm
Pipe Size	Φ219x3000 m
Bucket Size	2030x940x880 mm
Total Weight	186 kg
Overall Size (LXWXH)	5030x940x880 mm

Model	BLK800
Rated Capacity	800 L
Inlet Width	1050 mm
Bucket Depth	580 mm
Total Weight	92 kg
Overall Size (LXWXH)	1490 x1130x610 mm



Block Bucket

Movable Block Making Machine

Model: QMR2-45

Model	QMR2-45
Moulding Cycle	45 Seconds
Total Power	1.5 kW
Exciting Force	24 KN
Vibration Frequency	2400rpm
Main Vibration Form	Mould Vibration
Matched Mixer	JQ350
Total Weight	180 kg
Overall Size	920 ×800×1250mm



Block Photo	Size(LxWxH) mm	PCS/Mould	PCS/ Hour	PCS/ Shift
	400X200X200	2	150	1200
	400X150X200	3	240	1920
	400X100X200	3	320	2560

Diesel Block Making Machine

Model: QM4-45

Model	QM4-45
Moulding Cycle	45 Seconds
Power Type	6HP, Water-cooled, R175, Diesel Engine
Main Vibration Form	Mould Vibration
Moulding Form	Vibration and Pressure
Matched Mixer	JQ350
Total Weight	900 kg
Overall Size	1500×1300x1600 mm



Block Photo	Size(LxWxH) mm	PCS/Mould	PCS/ Hour	PCS/ Shift
	400X200X200	4	280	2240
	400X150X200	5	335	2680

Block Making Machine

Model: QTJ4-40

Model	QTJ4-40
Moulding Cycle	40 Seconds
Exciting Force	30 KN
Vibration Frequency	2800rpm
Pallet Size	850x550X30 mm
Matched Concrete Mixer	JQ350
Host Machine Power	9.5 KW
Total Weight	1800 kg
Overall Dimension	1580x1100x2100mm





Block Photo	Size(LxWxH) mm	PCS/Mould	PCS/ Hour	PCS/ Shift
	400X200X200	4	325	2600
	400X150X200	5	375	3000

Simple Block Machine Line

Model: QTJ4-26



Model	QTJ4-26
Moulding Cycle	26 Seconds
Exciting Force	35.5 KN
Host Machine Power	11.25 kW
Vibration Frequency	4200 RPM
Vibration Main Mode	Platform Vibration
Matched Concrete Mixer	JQ350
Conveying Belt Length	6 m
Total Weight	2600 kgs
Pallet Size	850*550 mm
Host Machine Size	3600*1700*2500 mm

Block Photo	Size(LxWxH) mm	PCS/Mould	PCS/ Hour	PCS/ Shift
	400X200X200	4	400	3200
	400X150X200	5	500	4000
	390X90X190	7	700	5600

Simple Block Machine Line

Model: QT4-25

Model	QT4-25
Moulding Cycle	25 Seconds
Exciting Force	35.5 KN
Vibration Frequency	4000~4500 rpm
Main Vibration Mode	Platform Vibration
Size of Pallet	850x550x30mm
Conveying Belt Length	6m
Matched Concrete Mixer	JQ500
Host Machine Power	16.58 kW
Total Weight	3200 kg
Overall Size	6400x1600x2700mm




Block Photo	Size(LxWxH) mm	PCS/Mould	PCS/ Hour	PCS/ Shift
	400X200X200	4	576	4608
	400X150X200	5	720	5760
	400X100X200	7	1008	8064

Automatic Block Machine Line

Model: QT4-15

Model	QT4-15
Moulding Cycle	15 Seconds
Exciting Force	45 KN
Vibration Frequency	4600 rpm
Vibration Main Mode	Platform Vibration
Size of Pallet	1020x570 mm
Conveying Belt Length	6m
Matched Concrete Mixer	JS500
Host Machine Power	21.8 kW
Total Weight	5200 kg
Overall Size	7100x1600x2700mm



Block Photo	Size(LxWxH) mm	PCS/Mould	PCS/ Hour	PCS / Shift
	400X200X200	4	720-840	5760-6720
	400X150X200	6	1080-1260	8640-10080
	200X163X60	8	1440	11520

Mini Dumper



MD300



MD500



MD500A



MD1000

Model	MD300	MD500	MD500A	MD1000
Engine	Loncin 196CC	Briggs & Stratton	Loncin 270CC	Koop KD192F
Cooling mode	Air-cooled	Air-cooled	Air-cooled	Air-cooled
Fuel	Gasoline	Gasoline	Gasoline	Gasoline
Emission	Euro5	EPA4	Euro 5	Euro 5
Transmission	Forward:6/Rear:2	/	Forward:6/Rear:2	Forward:3/Rear:1
Speed type	High-Low	/	High-Low	/
Loading capacity	300kg	500kg	500kg	1000kg
Box length	1045mm	816mm	816mm	1250mm
Box width	630mm	680mm	680mm	890mm
Box depth	320mm	620mm	620mm	480mm
Box type	Split type	Integrated/one-piece	Integrated/one-piece	Integrated/one-piece
Track width	180mm	180mm	180mm	230mm
Flow of pump	\	6L/min	3L/min	\
Mini Dumper weight	281kg	413kg	316kg	682KG
Overall dimension(mm)	1980*820*1060	1680*840*1275	1750*700*1080	2310*950*1345
Start mode	Manual	Manual	Electric	Electric
Driving type	Mechanical	Hydraulic	Mechanical	
Steering mode	Manual	Hydraulic	Manual	Lever type
Unload mode	Manual	Hydraulic	Hydraulic	Hydraulic
Loading quantity	12sets/20GP	14sets/20GP	18sets/20GP	6sets/20GP
	24sets/40HQ	28sets/40HQ	36sets/40HQ	12sets/40HQ

Hydraulic Site Dumper

Model: FCY10T



Rated Loading Capacity	10000kg	
Maximum Bucket capacity	6m ³	
Engine	Model	Deutz WP6G125E22
	Type	Vertical, in-line, water cooled, 6-stroke diesel engine
	Power	92kw
Min. Turning Radius	5097mm	
Wheel base	2740mm	
Maximum traction force	115KN	
Bucket Tipping	By Hydraulic System	
Maximum speed	38 km/h	
Transmission	4×4 , 4 Forward Gear, 2 Reverse Gear	
Maximum grade ability	30°	
Tyre Size	17.5-25	
Overall dimension (L×W×H)	6520*2430*3337mm	
Total Weight	7500 KGS	

Hydraulic Site Dumper

Model: FCY50

Rated Loading Capacity	5000 KGS	
Maximum Bucket Capacity	3 m ³	
Engine	Model	Dongfeng Cummins 4BT3.9-100
	Type	4-Cylinder, 4-Stroke, In-line, Direct Injection, Air-cooled
	Power	75KW @ 2400 rpm
Min. Turning Radius	4680 mm	
Wheel Base	2650 mm	
Wheel Tread	1560 mm	
Bucket Tipping	By Hydraulic System	
Max Speed	30 km/h	
Transmission	4×4 , 4 Forward Gear, 2 Reverse Gear	
Grade Ability	36°	
Tyre Size	16/70-20	
Overall Dimension	5250*2000*2850 mm	
Total Weight	4800 KGS	



Hydraulic Site Dumper

Model:FCY30



Model	FCY30
Rated Payload	3000 kg
Rated Capacity of Bucket	1500 L
Rated Capacity of Shovel	None
Diesel Engine Option	YUNNEI, 490, Water-cooled Diesel Engine (38 KW)
	DEUTZ, F3L912, Air-cooled Diesel Engine (36 KW)
Structure of Main Frame	Articular Structure
Tipping System	Hydraulic
Transmission	4x4 , 3 Forward Gear, 2 Reverse Gear
Max. Travel Speed	30 km/h
Grade Ability	35°
Tyre Size	20.5/17-16
Min Turning Radius	4000 m
Total Weight	2400 kg
Overall Size	4500×1800×2900 mm
Container Loading Plan	1 Set Per 20GP, 3 Sets Per 40HQ

Hydraulic Site Dumper

Model:FCY20



Model	FCY20
Rated Payload	2000 kg
Rated Capacity of Bucket	1200 L
Rated Capacity of Shovel	None
Diesel Engine Option	YUNNEI, 490, Water-cooled Diesel Engine (38 kW)
	DEUTZ, F3L912, Air-cooled Diesel Engine (36 kW)
Structure of Main Frame	Articular Structure
Tipping System	Hydraulic
Transmission	4x4 , 3 Forward Gear, 2 Reverse Gear
Max. Travel Speed	25 km/h
Grade Ability	35°
Tyre Size	8.25-16
Min Turning Radius	4000 mm
Total Weight	2100 kg
Overall Size	4400×1600×2650 mm
Container Loading Plan	1 Set Per 20 GP, 3 Sets Per 40HQ

Hydraulic Site Dumper

Model:FCY30S

Model	FCY30
Rated Payload	3000 kg
Rated Capacity of Bucket	1500 L
Rated Capacity of Shovel	300 L
Diesel Engine Option	YUNNEI, 490, Water-cooled Diesel Engine (38 KW)
	DEUTZ, F3L912, Air-cooled Diesel Engine (36KW)
Structure of Main Frame	Articular Structure
Tipping System	Hydraulic
Transmission	4x4 , 4 Forward Gear, 2 Reverse Gear
Max. Travel Speed	30 km/h
Grade Ability	35°
Tyre Size	20.5/17-16
Min Turning Radius	4000 m
Total Weight	2600 kg
Overall Size	4700×1800×2900 mm
Container Loading Plan	1 Set Per 20GP, 3 Sets Per 40HQ



Hydraulic Site Dumper

Model:FCY20S

Model	FCY20S
Rated Payload	2000 kg
Rated Capacity of Bucket	1200 L
Rated Capacity of Shovel	300 L
Diesel Engine Option	YUNNEI, 490, Water-cooled Engine (38 kW)
	DEUTZ, F3L912, Air-cooled Engine (36 kW)
Structure of Main Frame	Articular Structure
Tipping System	Hydraulic
Transmission	4x4 ,3 Forward Gear, 2 Reverse Gear
Max. Travel Speed	25 km/h
Grade Ability	35°
Tyre Size	8.25-16
Min Turning Radius	4000 m
Total Weight	2300 kg
Overall Size	4600×1600×2800 mm
Container Loading Plan	1 Set Per 20 GP, 3 Sets Per 40HQ



Mechanical Site Dumper

Model:FC15

Model	FC15
Rated Payload	1500 kg
Rated Capacity of Bucket	840L
Engine Type	Water-cooled CHANCHAI Diesel Engine ZS1100(16HP)
Tipping System	Mechanical
Engine Starting Model	Electric Started
Structure of Main Frame	Rigid Structure
Transmission	4×2 , 3 Forward Gear, 1 Reverse Gear
Max. Travel Speed	24 km/h
Grade Ability	20°
Tyre Size	7.50-16(Front), 5.00-16(Rear)
Min Turning Radius	3500 m
Wheel Tread	1260 mm
Wheel Base	1500 mm
Total Weight	1100 kg
Overall Dimension	2750×1500×2100mm
Container Loading Plan	4 Sets Per 20 GP, 8 Sets Per 40HQ



Hydraulic Site Dumper

Model:FCY15

Model	FCY15
Rated Payload	1500 kg
Rated Capacity of Bucket	840L
Engine Type	Water-cooled CHANCHAI Diesel Engine ZS1100(16HP)
Tipping System	Hydraulic
Engine Starting Model	Electric Started
Structure of Main Frame	Rigid Structure
Transmission	4×2 , 3 Forward Gear, 1 Reverse Gear
Max. Travel Speed	24 km/h
Grade Ability	25°
Tyre Size	7.50-16(Front), 5.00-16(Rear)
Min Turning Radius	3500 m
Wheel Tread	1260 mm
Wheel Base	1500 mm
Total Weight	1200 kg
Overall Dimension	2750×1500×2100mm
Container Loading Plan	4 Set Per 20 GP, 8 Sets Per 40HQ



Wheel Loader

Model: ZL10,ZL12



Model	ZL10	ZL12
Rated Load	1000 kg	1200 kg
Bucket Capacity	0.5 CM	0.6 CBM
Engine Rated Power	34 kW	42 kW
Diesel Engine Type	QUANCHAI, 485, NA	CHANGFA, 490, NA
Dumping Height	2800 mm	3200 mm
Dumping Reach	750 mm	850 mm
Bucket Width	1000 mm	1650 mm
Mini Turn Radius	4400 mm	4400 mm
Transmission Means	Manual (3F/2R)	Manual (3F/2R)
Brake Means	Oil Brake	Oil Brake
Condition in Cab	Electric Fan	Electric Fan
Tyre Size	10.00-16	20.5/70-16
Total Weight	2800 kg	3300 kg
Overall Size (L×W×H)	4900×1650×2650 mm	5000×1800×2750mm
Container Load Plan	1 Set Per 20GP, 3 Sets Per 40HQ	

Wheel Loader

Model: ZL16,ZL18, ZL20



Grass Fork



Log Fork



Pallet Fork



Snow Blade



Model	ZL16	ZL18	ZL20
Rated Load	1600 kg	1800 kg	2000 kg
Bucket Capacity	0.7 CBM	0.8 CBM	1 CBM
Engine Rated Power	42 kW	42 KW	65 kW
Diesel Engine Type	YUNNEI, 490, NA	YUNNEI,490, NA	YUNNEI, 4100, Turbo Charged
Dumping Height	3200 mm	3200 mm	3300 mm
Dumping Reach	850 mm	850 mm	950 mm
Bucket Width	1850 mm	1850 mm	2000 mm
Mini Turn Radius	4500mm	4500mm	4500mm
Transmission Means	Automatic (2F/2R)	Automatic (2F/2R)	Automatic(2F/2R)
Brake Means	Oil Brake	Air Brake	Air Brake
Condition in Cab	Fan or AC	Fan or AC	Fan or AC
Tyre Size	20.5/70-16	20.5/70-16	20.5/70-16
Total Weight	3500 kg	3800kg	4800 kg
Overall Size (L×W×H)	5300×1850×2850 mm	5700×1850×2850 mm	5900×2000×2900 mm
Container Load Plan	1 Set / 20GP, 3 Sets /40HQ	1 Set / 20GP, 2 Sets /40HQ	1 Set / 20GP,2 Sets /40HQ

Wheel Loader

Model: ZL25, ZL28, ZL30



Model	ZL25	ZL28	ZL30
Rated Load	2500 kg	2800 kg	3000 kg
Bucket Capacity	1.3 CBM	1.5 CBM	1.7 CBM
Engine Rated Power	76 kW	85 kW	92 kW
Diesel Engine Type	YUNNEI,4102, Turbo Charged	YUCHAI,4105, Turbo Charged	DEUTZ , 6102 , Turbo Charged
Dumping Height	3300 mm	3500 mm	3600 mm
Dumping Reach	1000mm	1180 mm	1200 mm
Bucket Width	2000 mm	2300 mm	2300 mm
Mini Turn Radius	4500 mm	5500 mm	6000 mm
Transmission Means	Automatic(2F/2R)	Automatic (2F/2R)	Automatic (2F/ 2R)
Brake Means	Air Brake	Air Brake	Air Brake
Condition in Cab	Fan or AC	Fan or AC	Fan or AC
Tyre Size	16/70-20	16/70-24	17.5-25
Total Weight	5500 kg	6500 kg	8500 kg
Overall Size (L×W×H)	6300×2000×2900 mm	6600×2300×2950 mm	7200×2300×3100 mm
Container Load Plan	2 Sets Per 40HQ		1 Set Per 40HQ

Backhoe Loader



Model	WZ40-28	
Excavator Part	Backhoe Capacity (Width)	0.35m ³ (620mm)
	Max. Digging Depth	4100mm
	Max. Dumping Depth	4082/4500mm
	Swing Angle of backhoe	190°
	Max. Pulling Force	39KN
Loader Part	Bucket Capacity	1.3m ³
	Rated Load	2800KG
	Bucket Dumping Height	2800mm
	Bucket Dumping Distance	1062mm
	Breakout Force	38KN
Diesel Engine	Digging Depth	52mm
	Model	YUCHAI 4105Turbo
	Type	In Line, Direct injection, Four-Stroke, Water Cooling
Transmission System	Rated Power	85KW
	Gear Shift	Two Gears Ahead, Two Gears Astern
	Torque Converter	YJ280
Vehicle Performance	Tyre	(F) 14-17.5 (R) 19.5L-24
	Operating Weight	8000kgs
	Overall Size	7600×2260×2890mm
	Container Loading Plan	1set/40HQ

Backhoe Loader

Model: WZ15-10, WZ30-25



Model	WZ15-10	WZ30-25	
Excavator Part	Bucket Capacity	0.15m ³	0.25 m ³
	Max. Digging Depth	2000 mm	4100 mm
	Max. Dumping Height	2350 mm	3500 mm
	Max. Digging Radius	3500 mm	5500 mm
	Bucket Slewing Angle	180°	180°
Loader Part	Rated Load	1000 kg	2500 kg
	Bucket Capacity	0.7 m ³	1.4 m ³
	Bucket Width	1700 mm	2200 mm
	Dumping Height	2650 mm	3500 mm
	Dumping Reach	850 mm	1060 mm
Diesel Engine	Engine Brand	YUNNEI	YUNNEI
	Engine Power	37 kW	76 kW
	Engine Speed	2400 rpm	2200 rpm
Transmission System	Gear Shift	2 F+2 R	2 F+2 R
	Torque Converter	YJ240	YJ280
	Hydraulic Pump Flow	25 mL/r	63 mL/r
Vehicle Performance	Tyre Size	14/90-16	16/70-20
	Operating Weight	4100 kg	7100 kg
	Overall Size	6800x1900x2850 mm	7800x2100x3100 mm
	Container Loading Plan	2 Sets Per 40HQ	1 Set Per 40HQ

Crawler Excavator

Model	TB10
Engine	KOOP KD192F-1 7kW/3000rpm EURO V Emission
Swing Speed	0-13 r/min
Traveling Speed	2 km/H
Grade ability	30°%
Fuel Tank Capacity	26 L
Hydraulic Tank Capacity	14.5 L in Hydraulic tank 21.5 L in Hydraulic system
Overall Length	2840mm
Overall Width	880mm
Overall Height	2200mm
Counterweight Ground clearance	385mm
Axle Base	900mm
Track width	180mm
Undercarriage width	840mm
Operation Weight	950KG
Bucket Capacity	0.023m ³
Max. Digging Radius	3065mm
Max. Digging Depth	1715mm
Max. Digging Height	2600mm
Max. Dumping Height	1830mm
Tail Swing Radius	800mm



TB10

Crawler Excavator

Model	TB18
Engine	LAI DONG 3TE25 18.1KW/2000RPM
Swing Speed	10-12 R/MIN
Traveling Speed	2.8 KM/H
Grade ability	35°%
Overall Length	3800MM
Overall Width	1050MM
Overall Height	2280MM
Counterweight Ground clearance	485mm
Track length	1630MM
Track width	230MM
Undercarriage width	1050MM
Operation Weight	1800KG
Bucket Capacity	0.06M ³
Max. Digging Radius	3860MM
Max. Digging Depth	2050MM
Max. Digging Height	3370MM
Max. Dumping Height	2390MM
Tail Swing Radius	1125MM



TB18

Crawler Excavator

Model	TB22
Engine	Laidong 3TE30 22.1kw/2000rpm
Swing Speed	12-14 r/min
Traveling Speed	2.8 km/H
Grade ability	35°%
Overall Length	4080mm
Overall Width	1300mm
Overall Height	2280mm
Counterweight Ground clearance	490mm
Track length	1630mm
Track width	250mm
Undercarriage width	1270mm
Operation Weight	2200KG
Bucket Capacity	0.1m ³
Max. Digging Radius	4350mm
Max. Digging Depth	2450mm
Max. Digging Height	3700mm
Max. Dumping Height	2330mm
Tail Swing Radius	1180mm



TB22

Crawler Excavator

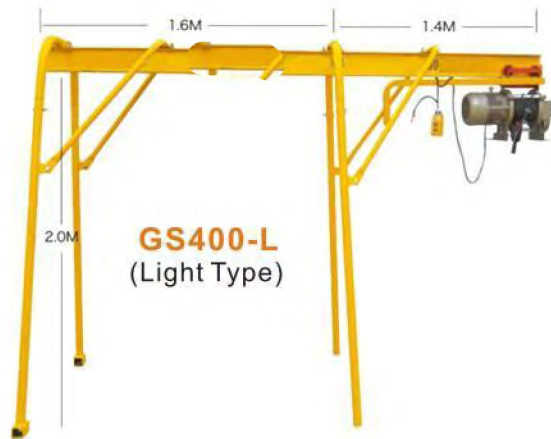
Model	TB35
Engine	Kubota D1703 18.2KW/2200rpm
Swing Speed	0-11r/min
Traveling Speed	4.4/2.4km/h
Grade ability	58°%
Overall Length	4915mm
Overall Width	1720mm
Overall Height	2525mm
Mini Ground clearance	295mm
Track width	300mm
Axle base (Track length on ground)	1670mm
Fuel Tank capacity	42L
Hydraulic Tank capacity	48.5L
Engine oil capacity	7L
Length of track	2154mm
Operation Weight	2200KG
Bucket Capacity	0.12m ³
Max. Digging Radius	5480mm
Max. Digging Depth	3208mm
Max. Digging Height	4800mm
Max. Dumping Height	3406mm
Max. vertical digging depth	3208mm



TB35

Guide Rail Sliding Mini Lifter

Model: GS400-L, GS400-H



GS400-L
(Light Type)



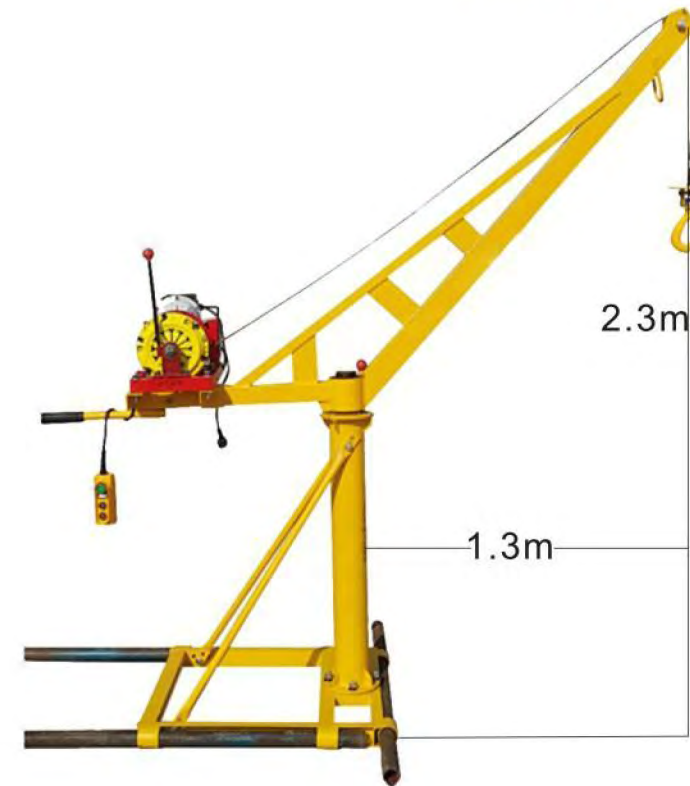
GS400-H
(Heavy Type)



Model		GS400-L	GS400-H
Performance	Payload	400 kg	
	Lifting Height	25 m	
Electric Winch	Power	2.3 kW	
	Voltage	220 V/ 380V, 50Hz/60 Hz	
	Speed	12 -14 m /min	
	Rope Length	25 m	
	Rope Diameter	Ø6 mm	
	Rope Type	Galvanized, Rotation Resistant, Steel Wire Rope	
Host Machine	Motor Type	Aluminum Winch	
	Pillar Height	2 m	1.9-2.1 m
	Stretching Distance	1.4 m	1.5 m
	Total Weight	130 kg	160 kg
	Container Loading Plan	100 PCS Per 20 GP	100 PCS Per 20 GP

Electric Mini Lifter

Model: EL600



Electric Winch

Model	EL600		
Performance	Payload	During Double Rope	600 kg
		During Single Rope	400 kg
	Lifting Height	During Double Rope	12.5 m
		During Single Rope	25 m
	Max. Rotation Angle	360°	
Electric Winch	Power	2.3 kW	
	Voltage	220 V/ 380V, 50Hz/60 Hz	
	Speed	12 -14 m /min	
	Rope Length	25 m	
	Rope Diameter	Ø6mm	
	Rope Type	Galvanized, Rotation Resistant, Steel Wire Rope	
	Motor Type	Aluminum Winch	
Host Machine	Pedestal Material	8# Channel Steel	
	Pedestal Size	1000 x1000 mm	
	Pillar Height	130 mm	
	Pillar Thickness	3.5 mm	
	Boom Length	2.4 m	
	Boom Stretching Distance	1.3 m	
	Total Weight	130 kg	
	Container Loading Plan	80 PCS Per 20GP	

Mini Lifter

Model: DML-0.5T, DHL-0.5T, DHL-1T

Model	DML-0.5T
Rated Load	500 kg
Bucket Capacity	120 L
Rated Lifting Height	25 m
Arm Length	2 m
Engine Type	Air-cooled Diesel Engine 186FS (10HP) Air-cooled Gasoline Engine 190FS (14HP) HONDA Gasoline Engine GX390 (13 HP)
Max. Rotation Angle	360°
Starting Mode	Manually
Total Weight	160 kg
Overall Size (LxWxH)	1700×1400×2400 mm
Container Loading Plan	100 Sets/20GP, 240 Sets/40HQ in CKD Condition



Model	DHL-0.5T
Rated Load	500 kg
Bucket Capacity	120L
Rated Lifting Height	25 m
Arm Length	2 m
Diesel Engine Type	186 FS, Air- cooled, 10 HP
Displacement of Hydraulic Pump	10 mL/r
Displacement of Hydraulic Motor	120 mL/r
Flow Rate of Balancing Valve	100L/min
Max. Rotation Angle	360°
Starting Mode	Manually
Total Weigh	210 kg
Packing Size (LxWxH)	1350×700×800mm
Container Loading Plan	30 Sets/20GP, 80 Sets/40HQ



Model	DHL-1T
Rated Load	1000 kg
Bucket Capacity	120 L
Rated Lifting Height	25 m
Arm Length	1.2 m
Diesel Engine Type	186FS, Air- cooled, 10HP
Displacement of Hydraulic Pump	25 mL/r
Displacement of Hydraulic Motor	400 mL/r
Flow Rate of Balancing Valve	100 L/min
Max. Rotation Angle	360°
Starting Mode	Manually
Total Weigh	320 kg
Packing Size (LxWxH)	1370×710×750 mm
Container Loading Plan	30 Sets/20GP, 80 Sets/40HQ



Double Cage Construction Lifter

Model: SC100/100, SC200/200

Model	SC100/100	SC200/200
Rated Load	2x1000 kg	2x2000 kg
Basic Erecting Height	45 m	60 m
Max. Erecting Height	90 m	245 m
Rated Lifting Speed	33 m/min	40 m/min
Mast Section Size	650×650×1508 mm	650×650×1508 mm
Cage Size (LxWxH)	3200×1300×2000 mm	3200×1500×2500 mm
Mast Section Weight	104 kg	150 kg
Cage Weight	2x 920 kg	2x1200 kg
Electric Motor Power	2x12 KW	2x3x11 KW
Voltage Standard	380V, 50HZ, 3-Phase	380V, 50HZ, 3-Phase



Single Cage Material Lifter

Model: SSDB100

Model	SSDB100
Rated Load	1000 kg
Basic Erecting Height	27 m
Max. Erecting Height	60 m
Rated Lifting Speed	36 m/min
Mast Section Size	4075×1750×1500 mm
Cage Size (LxWxH)	3800×1300×2000 mm
Dia and No. of Wire Rope	Φ9.3 mmx4
Electric Motor Power	7.5 KW
Voltage Standard	380V, 50HZ, 3-Phase

Walk-behind Vibratory Roller

Model:YZS03H

Model	YZS03H
Operating Mass	300 kg
Vibration Drum Width	600 mm
Drum Diameter	Φ425 mm
Exciting Force	12 KN
Static Linear Load	53 N/cm
Engine Power	4 HP
Engine Type	CF170 , Air- Cooled Diesel Engine
Vibration Frequency	70 Hz
Gradeability	20%
Fuel Tank Capacity	5 L
Hydraulic Tank Capacity	8 L
Travel Speed	0-4 km/h
Overall Size(L×W×H)	1450×1100×1200 mm



Ride-on Double Drum Vibratory Roller

Model:YZS08H

Model	YZS08H
Operating Mass	800 kg
Vibration Drum Width	800 mm
Drum Diameter	Φ530 mm
Static Linear Load	55 N/cm / 70 N/cm
Exciting Force	18 KN
Engine Power	10HP
Diesel Engine Type	CHANGFA , CF186, Air- Cooled Engine
Vibration Frequency	70 Hz
Gradeability	20%
Fuel Tank Capacity	8 L
Wheel Base	1100 mm
Travel Speed	0~6 km/h
Overall Size(L×W×H)	1700 × 860 × 1230mm



Walk-behind Vibratory Roller

Model: YZS06H

Model	YZS06H
Operating Mass	600 kg
Vibration Drum Width	600 mm
Drum Diameter	Φ425 mm
Exciting Force	14 KN
Static Linear Load	53 / 60 N/cm
Engine Power	6 HP
Engine Type	CF178 , Air- Cooled Diesel Engine
Vibration Frequency	70 Hz
Gradeability	20%
Fuel Tank Capacity	6 L
Wheel Base	600 mm
Travel Speed	0-4 km/h
Overall Size(L×W×H)	1840×750×1580 mm



Ride-on Double Drum Vibratory Roller

Model:YZS13H

Model	YZS13H
Operating Mass	1300 kg
Vibration Drum Width	800 mm
Drum Diameter	Φ536 mm
Static Linear Load	55N/cm / 70N/cm
Exciting Force	20 KN
Engine Power	13 HP
Diesel Engine Type	H14 , Water- Cooled Engine
Vibration Frequency	60 Hz
Gradeability	20%
Fuel Tank Capacity	30 L
Wheel Base	1250 mm
Travel Speed	0~8 km/h
Overall Size(L×W×H)	1880×870×1580 mm



Plate Compactor

Model: C60, C80, C90, C120, C160, C330

Engine Brand: HONDA, ROBIN, LONCIN, Diesel Engine



➔ C60



➔ C80



➔ C90



➔ C100



➔ C160



➔ C330

Model	C60	C80	C90	C120	C160	C330
Max. Centrifugal Force	12 KN	15 KN	15 KN	20 KN	35 KN	50 KN
Plate Size	51×37 cm	59×42 cm	55×45 cm	62×45 cm	70×50 cm	84×67 cm
Compacting Depth	30 cm	30 cm	30 cm	40 cm	50 cm	80 cm
Max. Traveling Speed	30 cm/s	30 cm/s	30 cm/s	25 cm/s	25 cm/s	21 cm/s
Max. Compact Area	500 m ² /h	600 m ² /h	600 m ² /h	650 m ² /h	700 m ² /h	850 m ² /h
Vibration Frequency	5600 v.p.m	4500 v.p.m	4500 v.p.m	4200 v.p.m	4200 v.p.m	3750 v.p.m
Engine Power	4~6.5 HP	4~6.5 HP	4~6.5 HP	4~6.5 HP	5.5~9HP	13 HP
Net Weight	65 kg	85 kg	90 kg	95 kg	160 kg	250 kg
Packing Size (cm)	80×42×68	80×51×68	63×46×67	74×50×73	80×52×102	96×73×110

Tamping Rammer

Model: RM80

Engine Brand: HONDA GX160, ROBIN EH12, ROBIN EY20, LONCIN 196



Model	RM80
Ramming Force	10 KN
Jumping Height	40~65 mm
Advancing Speed	10~13 m/min
Ramming Frequency	450~650 times/min
Ramming Plate Size	330×300mm
Engine Brand	HONDA GX160
Power	5.5 HP
Net Weight	80 kg
Packing Size	77×44×116 cm

Model	RM80
Ramming Force	10 KN
Jumping Height	40~65 mm
Advancing Speed	10~13 m/min
Ramming Frequency	450~650 times/min
Ramming Plate Size	330×300mm
Engine Option	ROBIN EY20, 5 HP ROBIN EH12, 4 HP
Net Weight	80 kg
Packing Size	77×44×116 cm



➔ ROBIN EY20



➔ ROBIN EH12



Model	RM80
Ramming Force	10 KN
Jumping Height	40~65 mm
Advancing Speed	10~13 m/min
Ramming Frequency	450~650 times/min
Ramming Plate Size	330×300mm
Engine Brand	LONCIN 196
Power	5.5 HP
Net Weight	80 kg
Packing Size	77×44×116 cm

Power Trowel

Model: M60, M80, M100

Engine Brand: HONDA, ROBIN, LONCIN, Diesel Engine



Model	M60	M80	M100
Work Diameter	Φ60 cm	Φ80 cm	Φ100 cm
Trowel Diameter	Φ58 cm	Φ78 cm	Φ92 cm
Trowel Rotation Speed	60-125 rpm	60-125 rpm	60-125 rpm
Power	4~6.5 HP	4~6.5 HP	4~6.5 HP
Net Weight	65 kg	70 kg	80 kg
Packing Size	65×65×75 cm	85×85×75 cm	104×104×75 cm

Gasoline and Diesel Concrete Vibrator

Model: TBCV-01, TBCV-02, TBCV-03, TBCV-04

Engine Brand: HONDA, ROBIN, LIFAN Gasoline Engine and KAMA Diesel Engine

Model	TBCV-01	TBCV-02	TBCV-03	TBCV-04
Engine Brand	Honda(GX160)	ROBIN(EY20)	LIFAN(168F)	KAMA(170F)
Engine Power	5.5 HP	5 HP	6.5 HP	5 HP
Rotating Speed of Engine	3600 rpm			
Vibration Amplitude	0.85~1.2 mm			
Coupling Type of Vibrator Head	Japanese Type, Dynapac Type, Chinese Type			
Diameter of Vibrator Head	28, 32, 38, 45, 50, 60, 70 mm (Standard: Φ50mm)			
Length of Vibrator Poker	2~8m(Standard: 6 m)			
Gross Weight of Engine	23 kg			
Gross Weight of Poker	15~22 kg			
Packing Size of Engine	53×38×53 cm			
Packing Size of Vibrator Poker	75×75×6 cm			



Concrete Screed

Model: CS-35 CS-35C

Engine Brand: HONDA, COPY HONDA

Model	CS-35	CS-35C
Gasoline Engine Brand	Original HONDA GX35	Copy HONDA
Gasoline Engine Power	1.5HP	1.9HP
Operating Weight	18 kg	19 kg
Packing Size of Host Machine	70*50*45 cm	70*50*45 cm



Blade Model	B4	B6	B8	B10	B12	B14
Blade Length (m/ft)	1.2/4	1.8/6	2.4/8	3/10	3.7/12	4.3/14
Weight(kg)	2.9	4.4	5.8	7.3	8.7	10.1

Model: ZN-35, ZN-50, ZN-70

Electric Concrete Vibrator



Model	ZN-35	ZN-50	ZN-70
Diameter of Matched Vibrator Poker	Φ35 mm	Φ50 mm	Φ70mm
Length of Matched Vibrator Poker	6 m	6 m	6 m
Electric Motor Power	1.1 KW	1.5 KW	2.2 KW
Rated Current	2.6 A	3.24 A	4.78 A
Motor Rotating Speed	2840 r/min	2840 r/min	2840 r/min
Voltage	110V/220V/380V	110V/220V/380V	110V/220V/380V
Frequency	50Hz/60Hz	50Hz/60Hz	50Hz/60Hz
Gross Weight of Vibrator	12 kg	13 kg	15.5 kg
Gross Weight of Vibrator Poker	13 kg	20 kg	23 kg
Packing Size of Vibrator	34×28×30 cm	34×28×30 cm	34×28×30 cm
Packing Size of Vibrator Poker	84×84×6 cm	84×84×6 cm	84×84×6 cm

Concrete Cutter

Model: Q300, Q350, Q400, Q450, Q500

Engine Brand: HONDA, ROBIN, LOCIN, Diesel Engine



Model	Q300	Q350	Q400	Q450	Q500
Blade Diameter	Φ300 mm	Φ350 mm	Φ400 mm	Φ450 mm	Φ500 mm
Max. Cut Depth	90 mm	110 mm	140mm	150 mm	170 mm
Water Tank Capacity	20 L	25 L	35 L	38 L	40 L
Power	4~6.5 HP	6.5~9 HP	10~13 HP	10~13 HP	10~13 HP
Net Weight	65 kg	66 kg	120 kg	130 kg	155 kg
Packing Size	94×51×88 cm	99×58×87cm	97×64×89 cm	92×58×100 cm	110×58×105 cm

Engine Brand: HONDA, ROBIN, LIFAN

Model: GWP50, GWP80

Model	GWP50	GWP80
Inlet/Outlet Diameter	2" (Φ50mm)	3" (Φ80mm)
Flow Rate	500 L/min	1000 L/min
Max. Suction	8 m	8 m
Max. Head	55 m	26 m
Driven Engine	Honda GX160, Robin EY20, LIFAN 168F	
Power of Engine	5.5 HP, 5.0HP, 6.5HP	
Type of Engine	1-Cylinder, 4-Stroke, Air-cooled, OHV Gasoline Engine	
Total Weight	26 kg	30 kg
Overall Size	50×40×43cm	50×40×43 cm

Gasoline Water Pump



Rebar Cutter

Model: GQ-40,GQ-45, GQ-50, GQ-55, GQ-60



Model		GQ-40	GQ-45	GQ-50	GQ-55	GQ-60
Cutting Ability	Common Round Steel	Φ6~40mm	Φ6~45 mm	Φ6~50mm	Φ6~55 mm	Φ6~60mm
	Deformed Steel (Grade II)	Φ6~32mm	Φ6~40 mm	Φ6~42 mm	Φ6~46 mm	Φ6~50mm
Cutting Speed		32 times/min	32 times/min	28 times/min	28 times/min	28 times/min
Electric Motor Power		3KW	4KW	4KW	5.5KW	7.5KW
Total Weight		395 kg	520 kg	560 kg	580 kg	680 kg
Overall Size (L×W×H)		120×42×68 cm	128×54×85 cm	143×54×103cm	145×53×83cm	138×63×75 cm

Rebar Bender

Model: GW-40,GW-45, GW-50, GW-55, GW-60



Model		GW-40	GW-45	GW-50	GW-55	GW-60
Bending Ability	Common Round Steel	Φ6~40 mm	Φ6~45 mm	Φ6~50 mm	Φ6~55 mm	Φ6~60 mm
	Deformed Steel (Grade II)	Φ6~32 mm	Φ6~40 mm	Φ6~42 mm	Φ6~45 mm	Φ6~50 mm
Max. Bending Speed		14 times/min	14 times/min	14 times/min	12 times/min	12 times/min
Electric Motor Power		2.2 KW	3 KW	4 KW	5.5 KW	7.5 KW
Total Weight		190 kg	365 kg	430 kg	530 kg	660 kg
Overall Size (L×W×H)		76×76×71 cm	83×88×86 cm	88×93×86 cm	108×88×78 cm	108×94×88 cm

Tricycle Dumper

Model:TD15

Main Specifications	
Rated Payload	1500 kg
Operating Mass	900 kg
Box Volume	1200 L
Tipping System	Hydraulic
Performance	
Max. Travel Speed	50 km/h
Gradeability	30°
Transmission Mode	Mechanical,3F+1R(H+Low Speed)
Drive Type	4x2+2
Tyre Size	5.00-14(Front),7.00-16(Rear)
Engine	
Model	CHANGFA,CF1105
Rated Power	@2200 rpm, 13.2kW/18HP
Start Mode	Electrically
Type	Single Cylinder,Water-cooled
Dimensions	
Mini Ground Clearance	200 mm
Tread	1240 mm
Workbench Height	510 mm
Cargo Box Size	2200x1350x450 mm
Overall Size	3800x1350x1400 mm



Container Loading Plan:
4 Sets/20GP,8 Sets/40HQ
8 Sets/20GP,16 Sets/40HQ(in skd condition)

Tricycle Dumper

Model: TD10



Container Loading Plan:
5 Sets/20GP,10 Sets/40HQ
10 Sets/20GP,20 Sets/40HQ(in skd condition)

Main Specifications	
Rated Payload	1000 kg
Operating Mass	700 kg
Box Volume	800 L
Tipping System	Hydraulic
Performance	
Max. Travel Speed	50 km/h
Gradeability	30°
Transmission Mode	Mechanical,3F+1R(H+Low Speed)
Drive Type	4x2+2
Tyre Size	4.00-14(Front),6.50-16(Rear)
Engine	
Model	CHANGFA,CF1105
Rated Power	@2200 rpm, 13.2kW/18HP
Start Mode	Electrically
Type	Single Cylinder,Water-cooled
Dimensions	
Mini Ground Clearance	200 mm
Tread	950 mm
Workbench Height	510 mm
Cargo Box Size	1600x1100x450 mm
Overall Size	3200x1100x1400 mm