



special lighting is a manufacturer specializing in reptile uvb lamps—reptile uvb compact fluorescent lamp, reptile uvb mercury vapor bulb and reptile uvb fluorescent tube.

Since 2005 we have been studying and improving our products and now we have the professional production line and staff can make nice products in short time.

Quality comes first forever. We believe that quality is the soul of an enterprise.

Every customer is VIP here. We can offer retail, wholesale and OEM to different customers.

Your success is our success. Welcome to cooperate with us.

Contents

Reptile UVB Compact Fluorescent Lamp

UVB 5.0-----	5
UVB10.0-----	7
UVB15.0-----	9
6%UVB-----	11
12%UVB-----	12

Reptile UVB Fluorescent Tube

UVB 5.0-----	13
UVB10.0-----	15
UVB15.0-----	17

Reptile UVB Mercury Vapor Bulb

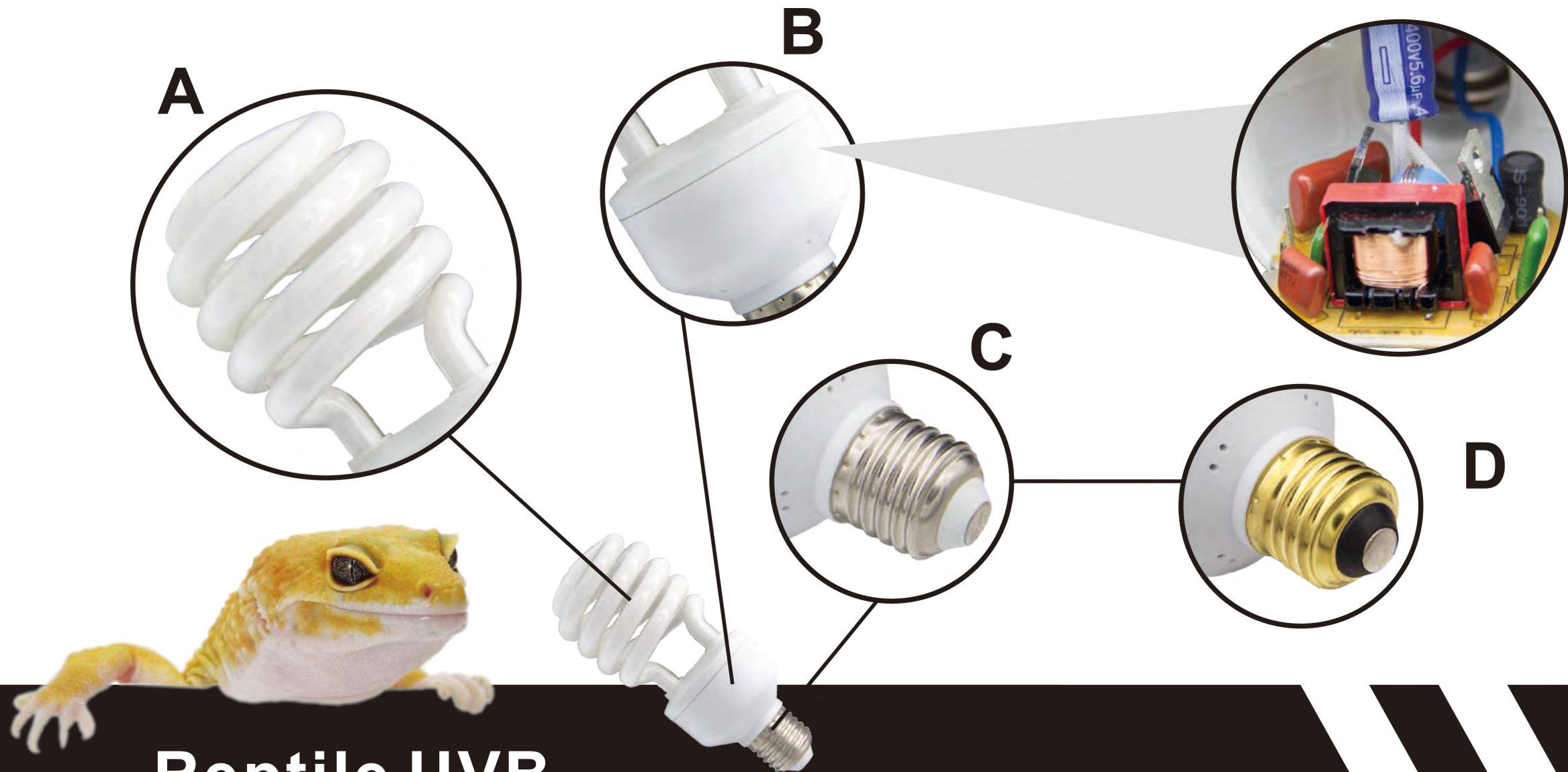
R80 80W-----	19
R95 80W-----	20
R115 125W-----	21
R115 160W-----	22
Par38 100W-----	23
Par38 160W-----	24

Bird UVB Lamp

2.4%UVB-----	25
--------------	----

COMPANY INTRODUCTION





A Special glass tube
 -High UVB transmittance
 -No harmful UVC
 Made by auto-machine
 -Same shape and thickness
 -Stable uvb output

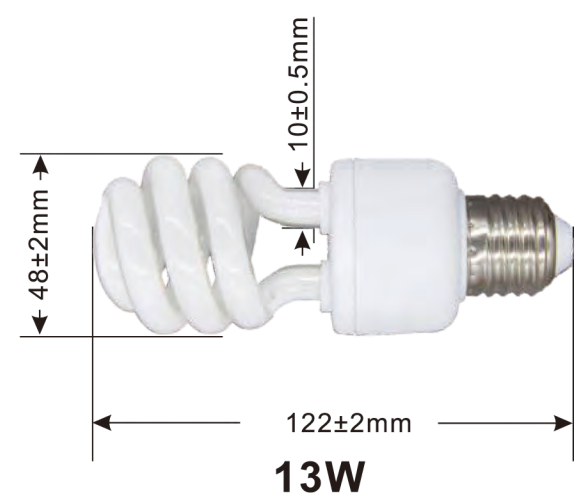
B High quality circuit board
 Flame retardant plastic
 More safety

C E27
 220-240V
 Nickel coated copper base

D E26
 120V
 Copper base

Reptile UVB

Compact Fluorescent Lamp





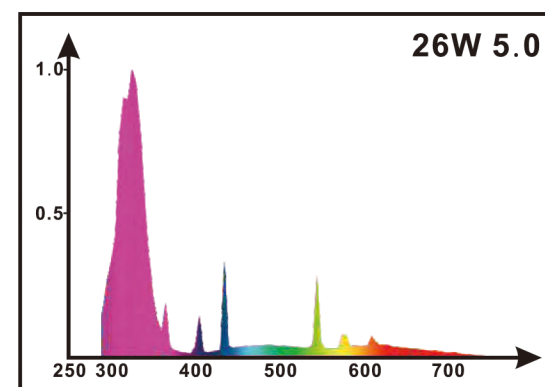
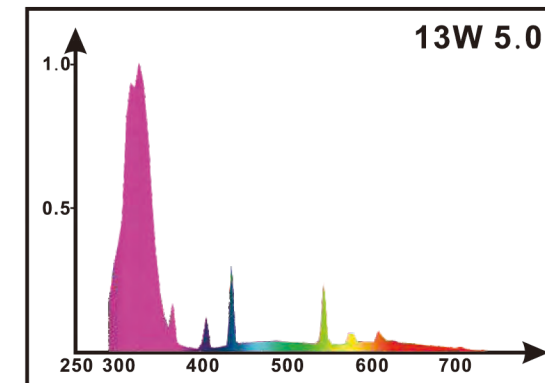
- Ideal for all tropical and sub-tropical reptiles
- Optimal UVB and UVA output
- No harmful UVC output
- Provide necessary UVB rays for optimal calcium metabolism
- Prevent or reverse metabolic bone disease, and increase feeding, mating, and other natural behaviors

UVB5.0

COMPACT FLUORESCENT LAMP



Wattage	Distance		UVB	UVA
	(w)	(inch)	(cm)	(uW/cm ²)
13W	4	10	80	220
	8	20	28	73
	12	30	14	37
26W	4	10	110	330
	8	20	37	110
	12	30	18	55



Item Code	Type	Wattage	Voltage	Current	Base	Color Temperature	CRI	Average Life
CFL130501	UVB5.0	13W	120V	0.16A	E26	7000K	80	8000h
CFL260501	UVB5.0	26W	120V	0.34A	E26	7000K	80	8000h
CFL130502	UVB5.0	13W	220-240V	0.095A	E27	7000K	80	8000h
CFL260502	UVB5.0	26W	220-240V	0.19A	E27	7000K	80	8000h



13W Package Measurement
36pieces-44cm*22cm*42cm
26W Package Measurement
36pieces-48cm*24cm*44cm



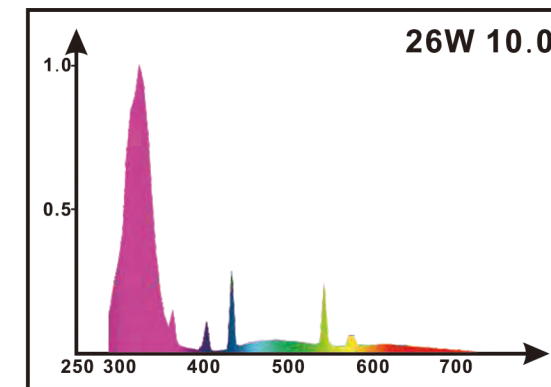
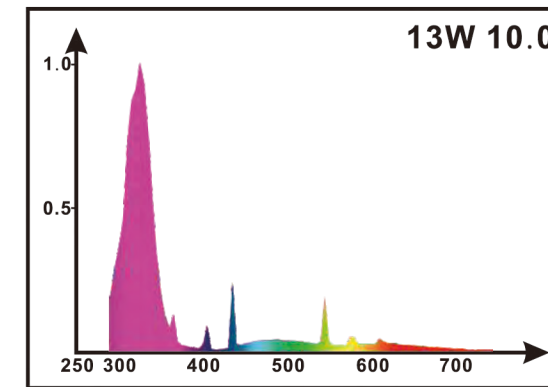
- Ideal for all desert dwelling reptiles
- High UVB and UVA output
- No harmful UVC output
- Very high D3 conversion
- Provide necessary UVB rays for optimal calcium metabolism
- Combine with natural light or reptile vision for optimal visual light output

UVB10.0

COMPACT FLUORESCENT LAMP



Wattage	Distance		UVB	UVA
	(inch)	(cm)	(uW/cm ²)	(uW/cm ²)
13W	4	10	100	290
	8	20	37	96
	12	30	17	47
26W	4	10	160	450
	8	20	52	150
	12	30	25	72



Item Code	Type	Wattage	Voltage	Current	Base	Color Temperature	CRI	Average Life
CFL131001	UVB10.0	13W	120V	0.16A	E26	8000K	75	8000h
CFL261001	UVB10.0	26W	120V	0.34A	E26	8000K	75	8000h
CFL131002	UVB10.0	13W	220-240V	0.095A	E27	8000K	75	8000h
CFL261002	UVB10.0	26W	220-240V	0.19A	E27	8000K	75	8000h



13W Package Measurement
36pieces-44cm*22cm*42cm
26W Package Measurement
36pieces-48cm*24cm*44cm



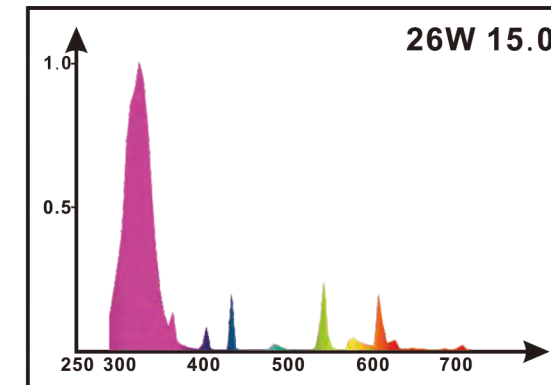
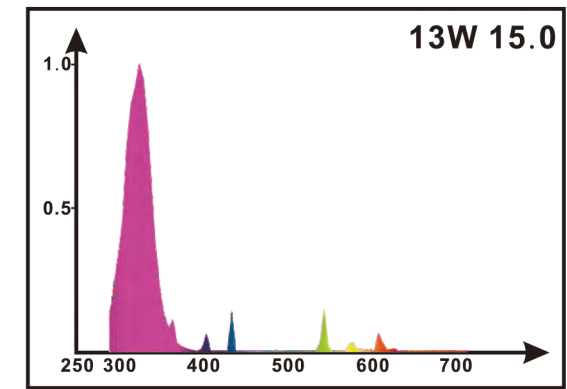
- Ideal for all reptiles which need intense UVB ray
- Very high UVB output
- No harmful UVC output
- Provide UVB rays for Vitamin D3 production and optimal calcium metabolism
- Combine with natural light or reptile vision for optimal visual light output

UVB15.0

COMPACT FLUORESCENT LAMP



Wattage	Distance		UVB	UVA
	(inch)	(cm)	(uW/cm ²)	(uW/cm ²)
13W	4	10	125	340
	8	20	38	105
	12	30	19	55
26W	4	10	200	605
	8	20	64	185
	12	30	32	95



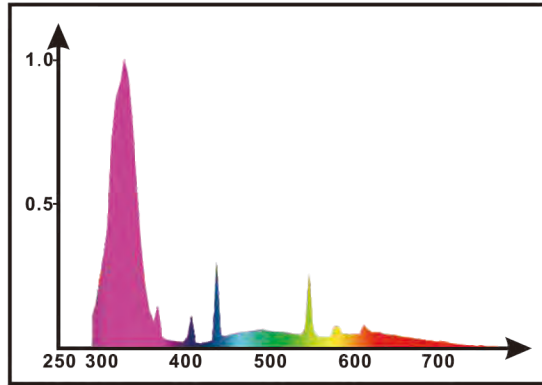
Item Code	Type	Wattage	Voltage	Current	Base	Color Temperature	CRI	Average Life
CFL131501	UVB15.0	13W	120V	0.16A	E26	9000K	70	8000h
CFL261501	UVB15.0	26W	120V	0.34A	E26	9000K	70	8000h
CFL131502	UVB15.0	13W	220-240V	0.095A	E27	9000K	70	8000h
CFL261502	UVB15.0	26W	220-240V	0.19A	E27	9000K	70	8000h



13W Package Measurement
36pieces-44cm*22cm*42cm
26W Package Measurement
36pieces-48cm*24cm*44cm

6%UVB

COMPACT FLUORESCENT LAMP



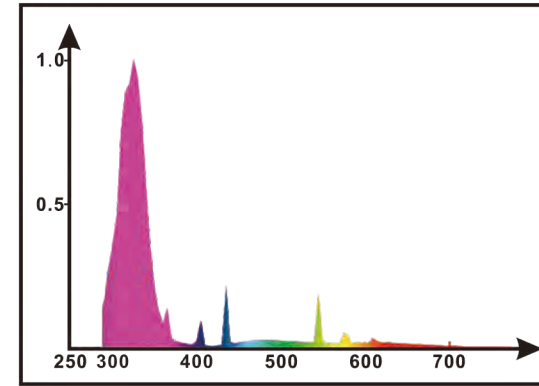
- Ideal for all tropical and sub-tropical reptiles
- Optimal UVB and UVA output
- No harmful UVC output
- Provide necessary UVB rays for optimal calcium metabolism
- Prevent or reverse metabolic bone disease, and increase feeding, mating, and other natural behaviors

Wattage	Distance		UVB ($\mu\text{W}/\text{cm}^2$)	UVA ($\mu\text{W}/\text{cm}^2$)
	(w)	(inch)		
15W	4	10	80	210
	12	30	15	38
23W	4	10	90	235
	12	30	20	56



12%UVB

COMPACT FLUORESCENT LAMP



- Ideal for all desert dwelling reptiles
- High UVB and UVA output
- No harmful UVC output
- Very high D3 conversion
- Provide necessary UVB rays for optimal calcium metabolism
- Combine with natural light or reptile vision for optimal visual light output

Wattage	Distance		UVB ($\mu\text{W}/\text{cm}^2$)	UVA ($\mu\text{W}/\text{cm}^2$)
	(w)	(inch)		
15W	4	10	125	335
	12	30	23	60
23W	4	10	155	420
	12	30	32	85



Item Code	Type	Wattage	Voltage	Current	Base	Color Temperature	CRI	Average Life
CFL150601	6%UVB	15W	120V	0.21A	E26	6500K	85	8000h
CFL230601	6%UVB	23W	120V	0.32A	E26	6500K	85	8000h
CFL150602	6%UVB	15W	220-240V	0.12A	E27	6500K	85	8000h
CFL230602	6%UVB	23W	220-240V	0.18A	E27	6500K	85	8000h

Item Code	Type	Wattage	Voltage	Current	Base	Color Temperature	CRI	Average Life
CFL151201	12%UVB	15W	120V	0.21A	E26	7800K	75	8000h
CFL231201	12%UVB	23W	120V	0.32A	E26	7800K	75	8000h
CFL151202	12%UVB	15W	220-240V	0.12A	E27	7800K	75	8000h
CFL231202	12%UVB	23W	220-240V	0.18A	E27	7800K	75	8000h

23W Package Measurement

36pieces-44cm*22cm*36cm

15W Package Measurement

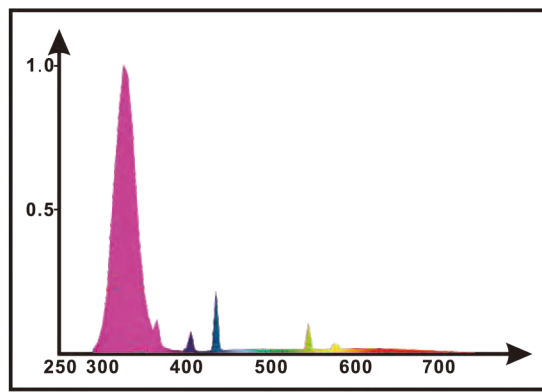
36pieces-44cm*22cm*32cm

23W Package Measurement

36pieces-44cm*22cm*36cm

15W Package Measurement

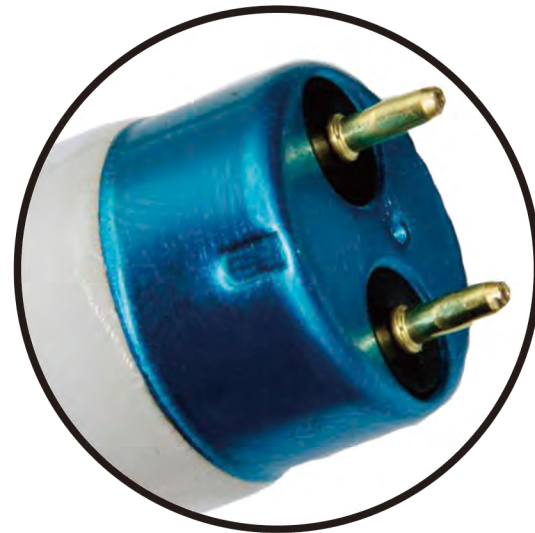
36pieces-44cm*22cm*32cm



- Ideal for all tropical and sub-tropical reptiles
- Optimal UVB and UVA output
- No harmful UVC output
- Provide necessary UVB rays for optimal calcium metabolism
- Prevent or reverse metabolic bone disease, and increase feeding, mating, and other natural behaviours

UVB5.0

T8 FLUORESCENT TUBE

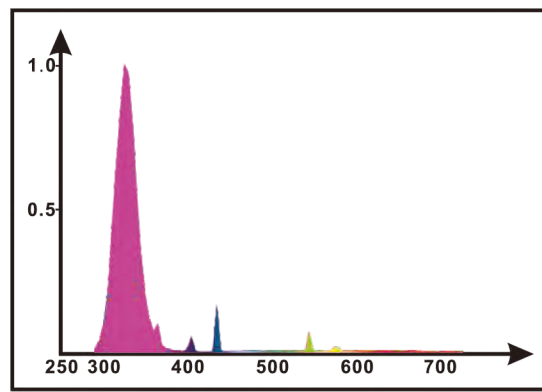


Wattage (w)	Distance		UVB (uW/cm ²)	UVA (uW/cm ²)
	(inch)	(cm)		
14W	4	10	80	320
	12	30	22	90
15W	4	10	80	330
	12	30	25	92
18W	4	10	80	330
	12	30	30	106
25W	4	10	80	350
	12	30	30	135
30W	4	10	90	360
	12	30	32	165
36W	4	10	90	370
	12	30	40	178

14W Package Measurement
25pieces-40cm*23cm*23cm
15W Package Measurement
25pieces-48cm*23cm*23cm
18W Package Measurement
25pieces-63cm*23cm*23cm
25W Package Measurement
25pieces-78cm*23cm*23cm
30W Package Measurement
25pieces-94cm*23cm*23cm
36W Package Measurement
25pieces-124cm*23cm*23cm

Item Code	Type	Wattage	Length	Base	Color Temperature	CRI	Average Life
FL1405	UVB5.0	14W	375mm	G13	7800K	75	10000h
FL1505	UVB5.0	15W	451mm	G13	7800K	75	10000h
FL1805	UVB5.0	18W	604mm	G13	7800K	75	10000h
FL2505	UVB5.0	25W	755mm	G13	7800K	75	10000h
FL3005	UVB5.0	30W	908mm	G13	7800K	75	10000h
FL3605	UVB5.0	36W	1213.6mm	G13	7800K	75	10000h

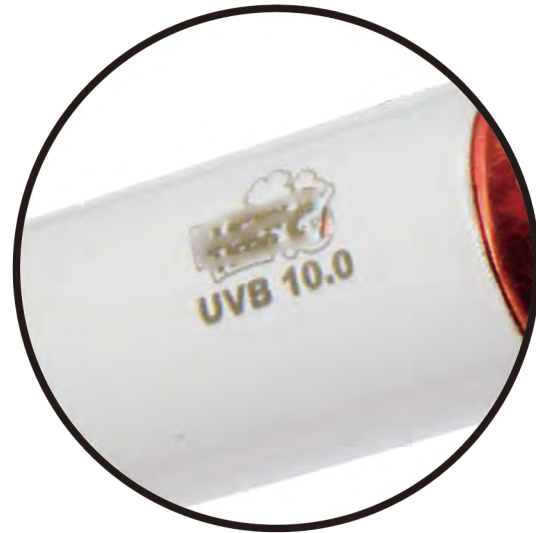




- Ideal for all desert dwelling reptiles
- High UVB and UVA output
- No harmful UVC output
- Very high D3 conversion
- Provide necessary UVB rays for optimal calcium metabolism
- Combine with natural light or reptile vision for optimal visual light output

UVB10.0

T8 FLUORESCENT TUBE



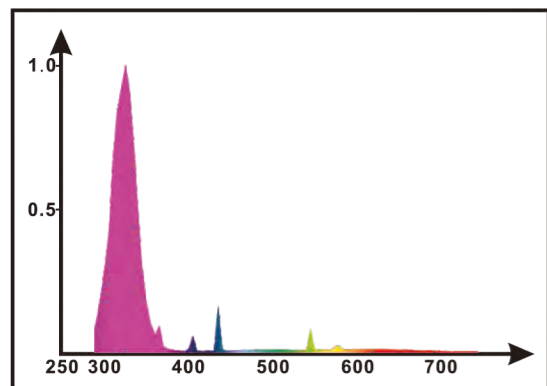
Wattage	Distance		UVB	UVA
(w)	(inch)	(cm)	(uW/cm ²)	(uW/cm ²)
14W	4	10	100	395
	12	30	28	110
15W	4	10	100	395
	12	30	32	120
18W	4	10	100	405
	12	30	37	155
25W	4	10	110	425
	12	30	43	176
30W	4	10	110	450
	12	30	45	200
36W	4	10	110	475
	12	30	53	240

Item Code	Type	Wattage	Length	Base	Color Temperature	CRI	Average Life
FL1410	UVB10.0	14W	375mm	G13	8000K	70	10000h
FL1510	UVB10.0	15W	451mm	G13	8000K	70	10000h
FL1810	UVB10.0	18W	604mm	G13	8000K	70	10000h
FL2510	UVB10.0	25W	755mm	G13	8000K	70	10000h
FL3010	UVB10.0	30W	908mm	G13	8000K	70	10000h
FL3610	UVB10.0	36W	1213.6mm	G13	8000K	70	10000h



14W Package Measurement
25pieces-40cm*23cm*23cm
15W Package Measurement
25pieces-48cm*23cm*23cm
18W Package Measurement
25pieces-63cm*23cm*23cm
25W Package Measurement
25pieces-78cm*23cm*23cm
30W Package Measurement
25pieces-94cm*23cm*23cm
36W Package Measurement
25pieces-124cm*23cm*23cm





- Ideal for all reptiles which need intense UVB ray
- Very high UVB output
- No harmful UVC output
- Provide UVB rays for Vitamin D3 production and optimal calcium metabolism
- Combine with natural light or reptile vision for optimal visual light output

UVB15.0

T8 FLUORESCENT TUBE



Wattage	Distance		UVB	UVA
(w)	(inch)	(cm)	(uW/cm ²)	(uW/cm ²)
14W	4	10	130	335
	12	30	35	92
15W	4	10	130	340
	12	30	35	106
18W	4	10	130	390
	12	30	45	133
25W	4	10	140	390
	12	30	57	160
30W	4	10	140	390
	12	30	59	175
36W	4	10	140	410
	12	30	65	200



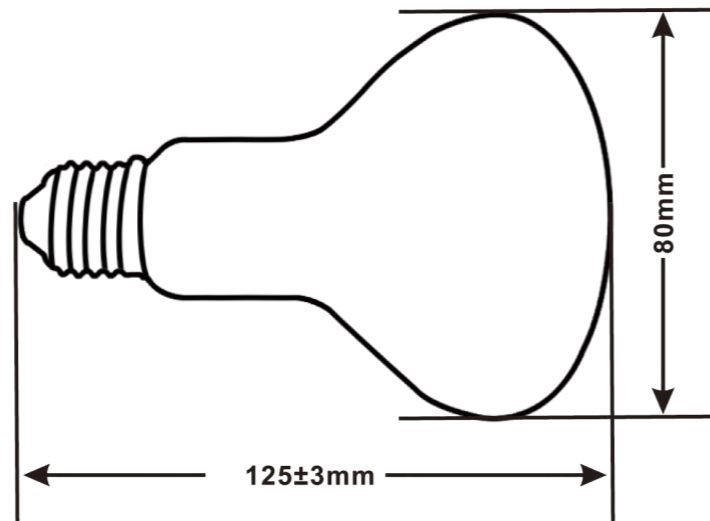
14W Package Measurement
25pieces-40cm*23cm*23cm
15W Package Measurement
25pieces-48cm*23cm*23cm
18W Package Measurement
25pieces-63cm*23cm*23cm
25W Package Measurement
25pieces-78cm*23cm*23cm
30W Package Measurement
25pieces-94cm*23cm*23cm
36W Package Measurement
25pieces-124cm*23cm*23cm

Item Code	Type	Wattage	Length	Base	Color Temperature	CRI	Average Life
FL1415	UVB15.0	14W	375mm	G13	7800K	70	10000h
FL1515	UVB15.0	15W	451mm	G13	7800K	70	10000h
FL1815	UVB15.0	18W	604mm	G13	7800K	70	10000h
FL2515	UVB15.0	25W	755mm	G13	7800K	70	10000h
FL3015	UVB15.0	30W	908mm	G13	7800K	70	10000h
FL3615	UVB15.0	36W	1213.6mm	G13	7800K	70	10000h



R80 80W UVB Mercury Vapor Bulb

- UVA,UVB,light and heat all in one lamp
- Close to natural sun
- Can be used as general reptile lighting
- Does not produce any harmful UVC radiation
- Life span 5000hours
- With integrated thermal protection against overheating



CLERA



COATED

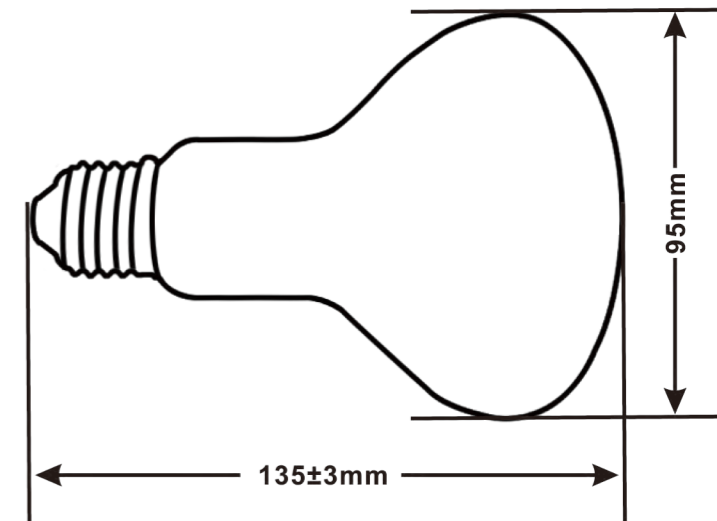
Distance		UVB
(inch)	(cm)	(uW/cm ²)
12	30	250

Distance		UVB
(inch)	(cm)	(uW/cm ²)
12	30	50

Item Code	Type	Wattage	Voltage	Base	Average Life	Package Measurement
R80CL801	CLEAR	80W	120V	E26	5000h	24pcs-45cm*34cm*34cm
R80CL802	CLEAR	80W	220-240V	E27	5000h	24pcs-45cm*34cm*34cm
R80CO801	COATED	80W	120V	E26	5000h	24pcs-45cm*34cm*34cm
R80CO802	COATED	80W	220-240V	E27	5000h	24pcs-45cm*34cm*34cm

R95 80W UVB Mercury Vapor Bulb

- UVA,UVB,light and heat all in one lamp
- Close to natural sun
- Can be used as general reptile lighting
- Does not produce any harmful UVC radiation
- Life span 5000hours
- With integrated thermal protection against overheating



Item Code	Type	Wattage	Voltage	Base	Average Life	Package Measurement
R95CL801	CLEAR	80W	120V	E26	5000h	24pcs-49cm*37cm*32.5cm
R95CL802	CLEAR	80W	220-240V	E27	5000h	24pcs-49cm*37cm*32.5cm
R95CO801	COATED	80W	120V	E26	5000h	24pcs-49cm*37cm*32.5cm
R95CO802	COATED	80W	220-240V	E27	5000h	24pcs-49cm*37cm*32.5cm
R95FR801	FROSTED	80W	120V	E26	5000h	24pcs-49cm*37cm*32.5cm
R95FR802	FROSTED	80W	220-240V	E27	5000h	24pcs-49cm*37cm*32.5cm



CLERA

Distance		UVB
(inch)	(cm)	(uW/cm ²)
12	30	300



COATED

Distance		UVB
(inch)	(cm)	(uW/cm ²)
12	30	60

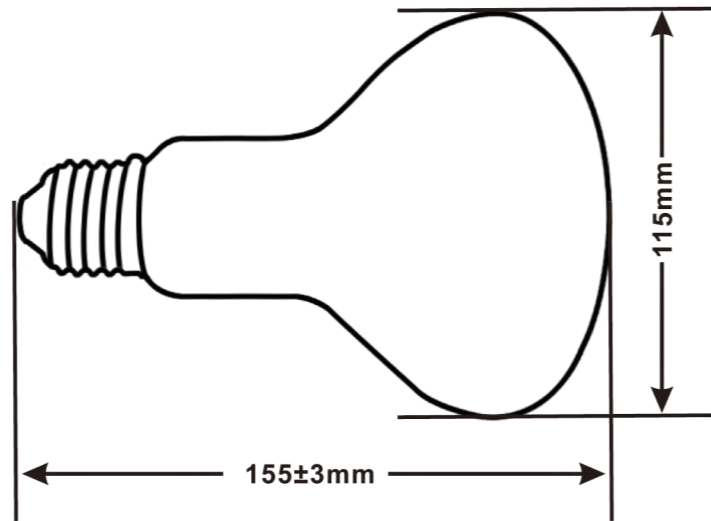


FROSTED

Distance		UVB
(inch)	(cm)	(uW/cm ²)
12	30	50

R115 125W UVB Mercury Vapor Bulb

- UVA,UVB,light and heat all in one lamp
- Close to natural sun
- Can be used as general reptile lighting
- Does not produce any harmful UVC radiation
- Life span 5000hours
- With integrated thermal protection against overheating



Item Code	Type	Wattage	Voltage	Base	Average Life	Package Measurement
R115CL1251	CLEAR	125W	120V	E26	5000h	24pcs-61cm*47cm*38.5cm
R115CL1252	CLEAR	125W	220-240V	E27	5000h	24pcs-61cm*47cm*38.5cm
R115CO1251	COATED	125W	120V	E26	5000h	24pcs-61cm*47cm*38.5cm
R115CO1252	COATED	125W	220-240V	E27	5000h	24pcs-61cm*47cm*38.5cm
R115FR1251	FROSTED	125W	120V	E26	5000h	24pcs-61cm*47cm*38.5cm
R115FR1252	FROSTED	125W	220-240V	E27	5000h	24pcs-61cm*47cm*38.5cm



CLERA

Distance		UVB
(inch)	(cm)	(uW/cm ²)
12	30	1500



COATED

Distance		UVB
(inch)	(cm)	(uW/cm ²)
12	30	200

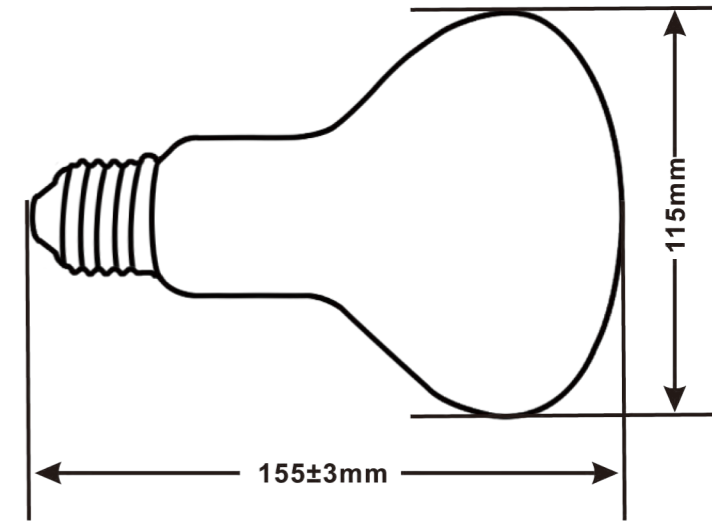


FROSTED

Distance		UVB
(inch)	(cm)	(uW/cm ²)
12	30	200

R115 160W UVB Mercury Vapor Bulb

- UVA,UVB,light and heat all in one lamp
- Close to natural sun
- Can be used as general reptile lighting
- Does not produce any harmful UVC radiation
- Life span 5000hours
- With integrated thermal protection against overheating



Item Code	Type	Wattage	Voltage	Base	Average Life	Package Measurement
R115CL1601	CLEAR	160W	120V	E26	5000h	24pcs-61cm*47cm*38.5cm
R115CL1602	CLEAR	160W	220-240V	E27	5000h	24pcs-61cm*47cm*38.5cm
R115CO1601	COATED	160W	120V	E26	5000h	24pcs-61cm*47cm*38.5cm
R115CO1602	COATED	160W	220-240V	E27	5000h	24pcs-61cm*47cm*38.5cm
R115FR1601	FROSTED	160W	120V	E26	5000h	24pcs-61cm*47cm*38.5cm
R115FR1602	FROSTED	160W	220-240V	E27	5000h	24pcs-61cm*47cm*38.5cm



CLERA

Distance		UVB
(inch)	(cm)	(uW/cm ²)
12	30	1800



COATED

Distance		UVB
(inch)	(cm)	(uW/cm ²)
12	30	300

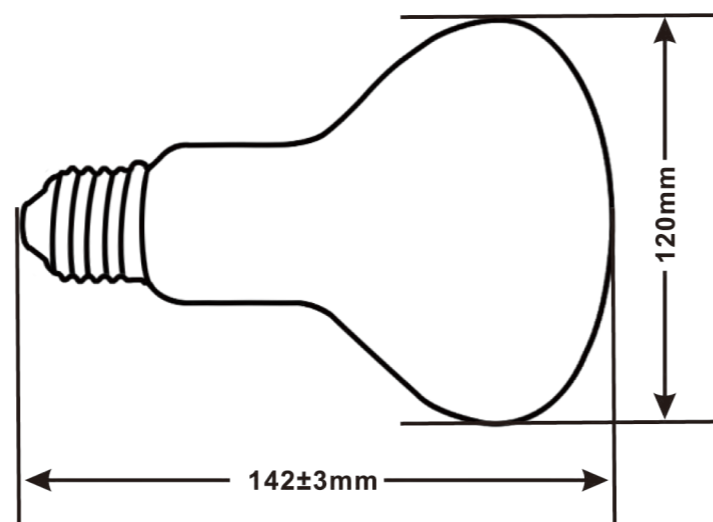


FROSTED

Distance		UVB
(inch)	(cm)	(uW/cm ²)
12	30	300

Par38 100W *UVB Mercury Vapor Bulb*

- UVA,UVB,light and heat all in one lamp
- Close to natural sun
- Can be used as general reptile lighting
- Does not produce any harmful UVC radiation
- Life span 5000hours
- With integrated thermal protection against overheating



CLERA



COATED

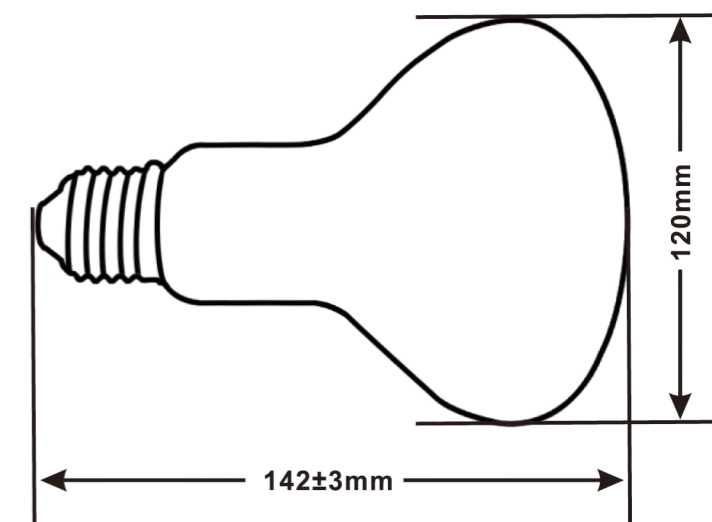
Distance		UVB
(inch)	(cm)	(uW/cm ²)
12	30	1000

Distance		UVB
(inch)	(cm)	(uW/cm ²)
12	30	80

Item Code	Type	Wattage	Voltage	Base	Average Life	Package Measurement
P38CL1001	CLEAR	100W	120V	E26	5000h	24pcs-61cm*47cm*38.5cm
P38CL1002	CLEAR	100W	220-240V	E27	5000h	24pcs-61cm*47cm*38.5cm
P38CO1001	COATED	100W	120V	E26	5000h	24pcs-61cm*47cm*38.5cm
P38CO1002	COATED	100W	220-240V	E27	5000h	24pcs-61cm*47cm*38.5cm

Par38 160W *UVB Mercury Vapor Bulb*

- UVA,UVB,light and heat all in one lamp
- Close to natural sun
- Can be used as general reptile lighting
- Does not produce any harmful UVC radiation
- Life span 5000hours
- With integrated thermal protection against overheating



CLERA



COATED

Distance		UVB
(inch)	(cm)	(uW/cm ²)
12	30	1800

Distance		UVB
(inch)	(cm)	(uW/cm ²)
12	30	150

Item Code	Type	Wattage	Voltage	Base	Average Life	Package Measurement
P38CL1601	CLEAR	160W	120V	E26	5000h	24pcs-61cm*47cm*38.5cm
P38CL1602	CLEAR	160W	220-240V	E27	5000h	24pcs-61cm*47cm*38.5cm
P38CO1601	COATED	160W	120V	E26	5000h	24pcs-61cm*47cm*38.5cm
P38CO1602	COATED	160W	220-240V	E27	5000h	24pcs-61cm*47cm*38.5cm

Bird UVB

Compact Fluorescent lamp

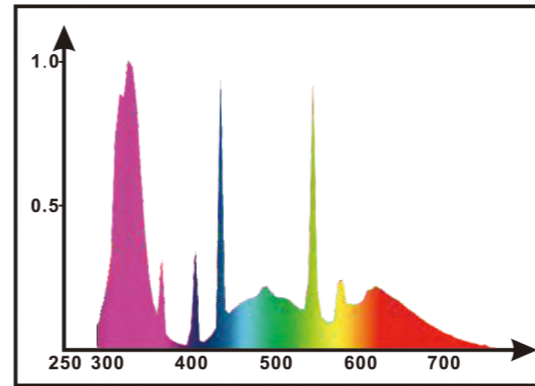


2.4%UVB

25



- Ideal for all kinds captive birds
- Appropriate UVA and UVB
- Close to natural sun light
- Produce excellent natural colors
- Prevent or reverse metabolic bone disease
- Increase feeding, breeding, and other natural behaviors



Item Code	Type	Wattage	Voltage	Current	Base	Color Temperature	CRI	Average Life
CFL2302401	2.4%UVB	23W	120V	0.32A	E26	6000K	90	8000h
CFL2302402	2.4%UVB	23W	220-240V	0.18A	E27	6000K	90	8000h



23W Package Measurement

36pieces-36cm*36cm*20cm


26

Other Lamps

	Daylight Basking Spot Lamp (FROSTED)
	Wattage: 25W 50W 75W 100W
	Voltage: 120V/220-240V
	<ul style="list-style-type: none"> -Broad-spectrum daylight spot lamp for terrariums -Increases ambient air temperature -Creates a basking area for thermoregulation -Stimulates breeding behavior through UVA rays

	Intense Basking Spot Lamp (CLEAR)
	Wattage: 40W 60W 100W 150W
	Voltage: 120V/220-240V
	<ul style="list-style-type: none"> -Broad-spectrum daylight spot lamp for terrariums -Increases ambient air temperature -Creates a basking area for thermoregulation -Stimulates breeding behavior through UVA rays



	Intense Basking Spot Lamp (FROSTED)
	Wattage: 40W 60W 100W 150W
	Voltage: 120V/220-240V
	<ul style="list-style-type: none"> -Broad-spectrum daylight spot lamp for terrariums -Increases ambient air temperature -Creates a basking area for thermoregulation -Stimulates breeding behavior through UVA rays

	Infrared Basking Spot Lamp
	Wattage: 40W 60W 100W 150W
	Voltage: 120V/220-240V
	<ul style="list-style-type: none"> -Produce infrared heatwaves -Increases ambient air temperature -Will not affect reptiles normal activity -Excellent 24hours radiant heat source



Notes

HIGH ACCURACY UV SPECTRORADIOMETER



FULL SPECTRUM SPECTRORADIOMETER

