

2020

The Pet / Garden Products



PLASTIC PET Series



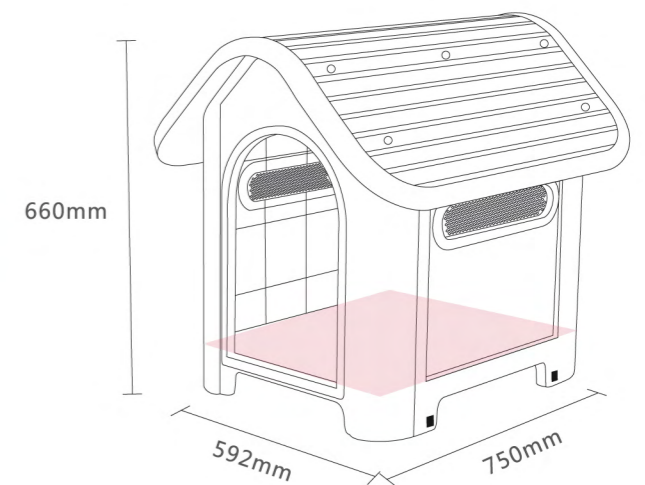
THE KENNELS



403

403(TC)

403 / 403(TC)
L750xW592xH660(mm)
Selectable Colours: Red / Blue/ Green



- The steel door for option



419A

419

403(TC)

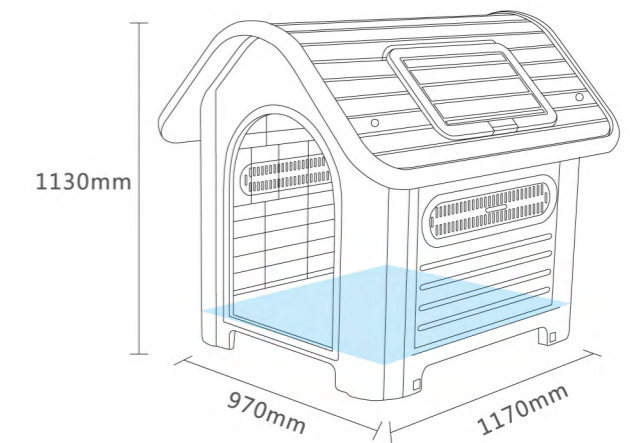
403
L750xW592xH660(mm)

419
L870xW720xH755(mm)

419A
L1170xW970xH1130(mm)
Selectable Colours:Red / Blue/ Green / Grey



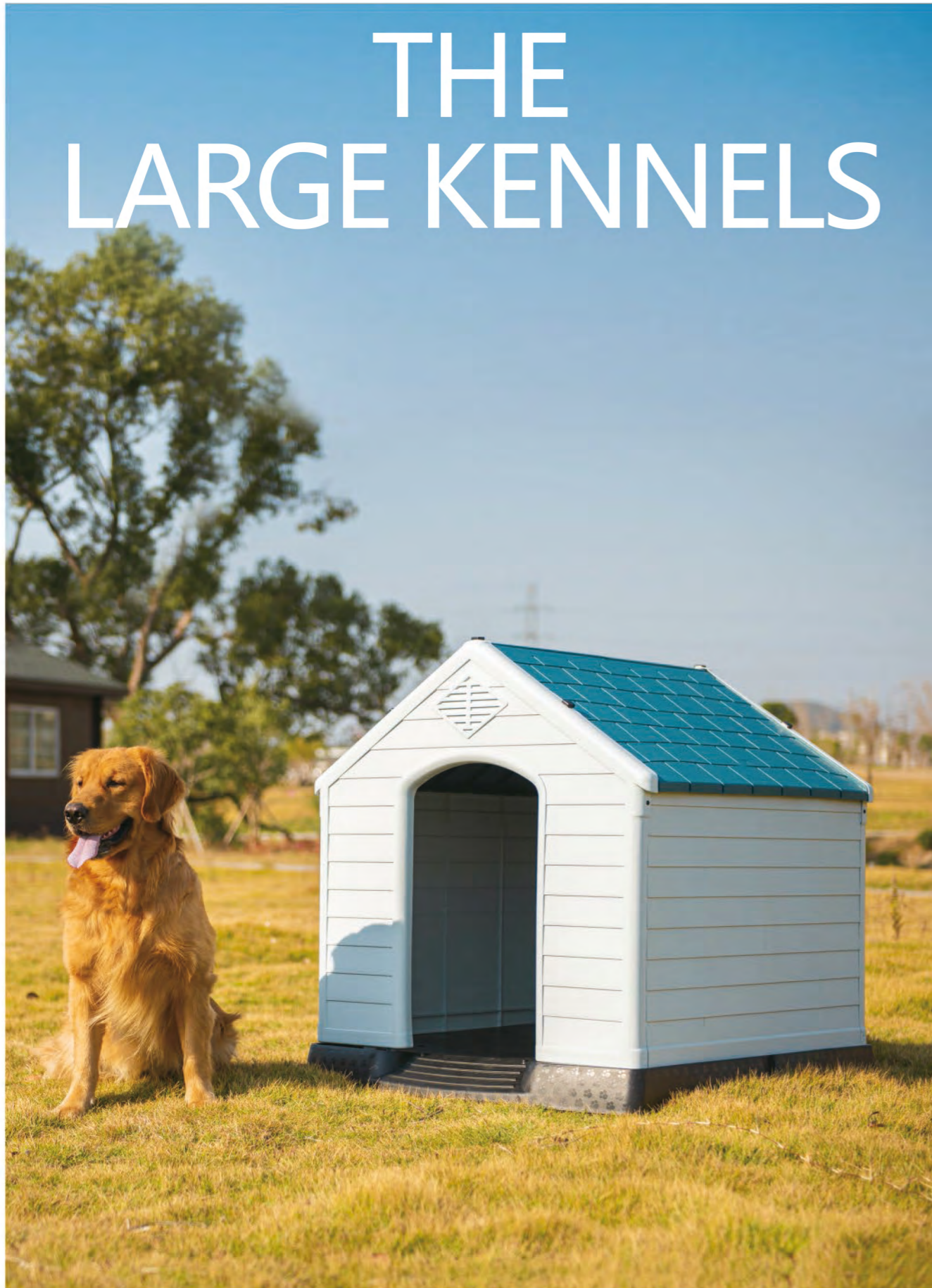
419A
L1170xW970xH1130(mm)
Selectable Colours:Red / Blue/ Green / Grey



Compared with traditional materials, plastic dog house has more advantages

- New material environmental protection PP material, bright color, healthier
- Splicing design, easy to clean, not easy to coagulate stains, reduce bacteria breeding
- Environmentally friendly materials, recyclable and producible
- Good chemical stability, compared with other materials, plastic has better corrosion resistance.

THE LARGE KENNELS

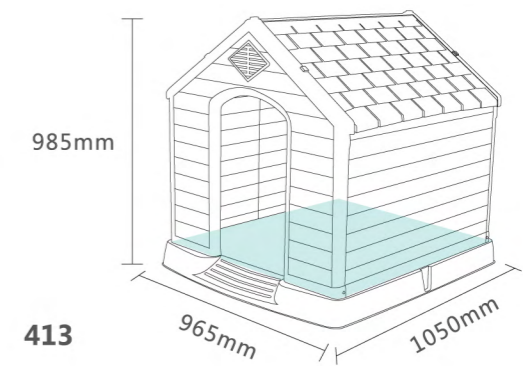


- The steel door for option

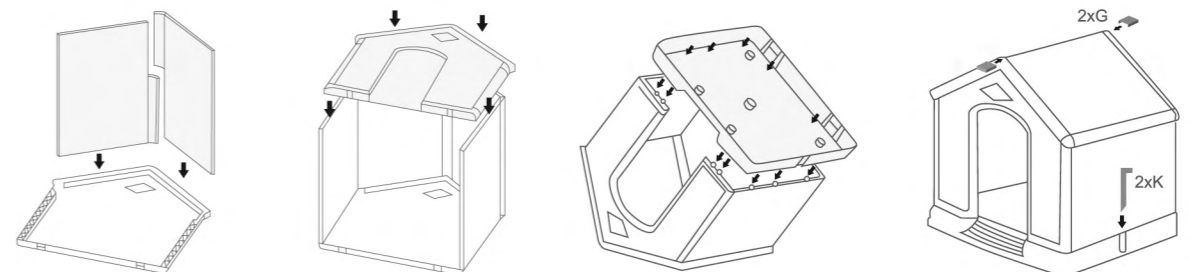
Product Specifications

413	L1050xW965xH985(mm)
426	L877xW785xH815(mm)
427	L736xW665xH695(mm)

Selectable Colours: Blue/ Green



Modular design, easy to install:





The Dog House

- No screws
- Easy assemble



432S

L757xW650xH632(mm)

432

L982xW842xH820(mm)

Selectable Colours: Blue/ Green

THE DOG LOUNGE

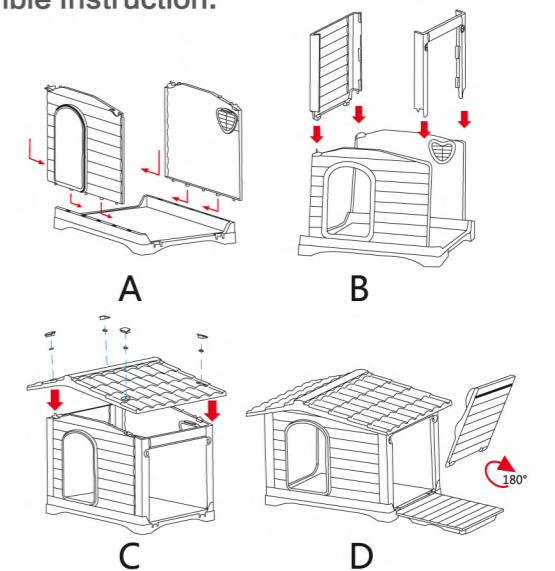


424S
L689xW914xH660(mm)

424
L1111xW838xH804(mm)
Selectable Colours:Blue/ Green



Assemble Instruction:





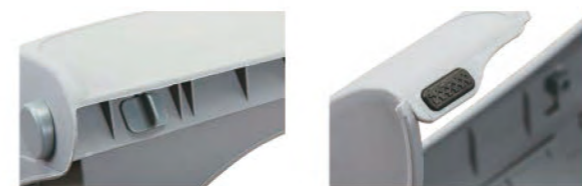
433
 L620 x W400 x H495(mm)
 Selectable Colours: Gray / Rice white / Brown

Pet stairs can help your pet easily reach their favorite place -- no need to jump or struggle, antiskid bottom makes pet ladders stronger, comfortable carpet tread is movable and washable



434
 L500 x W380 x H380(mm)
 Selectable Colours: Gray / Rice white / Brown

The ladder can be folded for easy carrying and storage. New material environmental protection PP material, bright color, healthier Splicing design, easy to clean, not easy to coagulate stains, reduce bacteria breeding Environmentally friendly materials, recyclable and producible





Perfect ramp for pet travel

- The ramp can fold in half for easy carrying and storage.
- Surface texture helps prevent slipping, which is the perfect choice for pets to travel.
- Rubber grip keeps the fixed position stable and provides your pet with a safe and practical experience.
- The product is super light and easy to carry and transport, but it can carry more than 200 pounds, even the largest dog / cat can provide safe walking space.

PET RAMP

Foldable ramp to make your pets get on or off the vehicles easily



428
L1550xW400xH150(mm)

L795xW400xH200(mm)



L430xW405xH255(mm)



Optional matte foot pad



440
L1520xW405xH125(mm)



Compared with traditional materials, plastic dog house has more advantages

- New material environmental protection PP material, bright color, healthier
- Splicing design, easy to clean, not easy to coagulate stains, reduce bacteria breeding
- Environmentally friendly materials, recyclable and producible
- Good chemical stability, compared with other materials, plastic has better corrosion resistance.



Product Specifications

·405	L950xW800xH700(mm)
·415	L830xW690xH575(mm)
·404	L730xW595xH530(mm)
·430	L650xW530xH460(mm)

vent window



Product Specifications

418	L1032xW655xH655(mm)
417	L915xW580xH580(mm)
416	L800xW507xH506(mm)
429	L695xW440xH440(mm)



PET CARRIERS



421
L625xW435xH490(mm)
Selectable Colours:Red / Blue

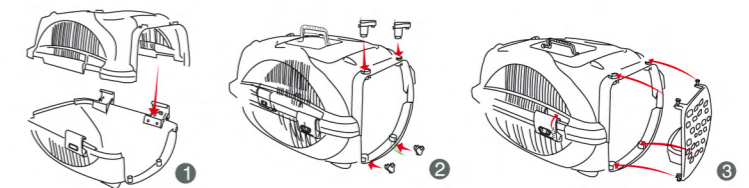


Designed for small pet travel

- environmental protection PP material
- Splicing design, easy to clean, not easy to coagulate stains, reduce bacteria breeding
- Four sides ventilation, heat dissipation and smell dissipation, and the top handle is convenient to carry



406
L521xW340xH330(mm)
407
L600xW400xH425(mm)
Selectable Colours:Red / Blue



435
L484xW315xH305(mm)
Selectable Colours:Red / Blue



Product Details



PET Series

Pet food storage bin

- Healthy material
- Large capacity
- Good sealing



439

L430xW230xH485(mm)
Volume:32L

Sealed moisture proof pet food storage box

- New material environmental protection polypropylene material, easy to clean, healthier
- Top cover design, sealed, moisture-proof and mildew proof
- Large capacity, roller design, easy to use
- Built-in grain spoon



20A-12

L381xW266xH425(mm)
Volume:20L

30A-12

L425xW325xH500(mm)
Volume:30L



Pet food feeder

- Environmental friendly material
- Double bowl, double use
- Easy to clean
- Automatic water addition



.002

L315xW180xH66(mm)



.003

L320xW268xH70(mm)



.004

L378 x W290 x H238(mm)

Pet double bowl food Basin

- New material environmental protection polypropylene material, easy to clean, healthier
- Two bowls, food and water
- Universal water injection port, matching with conventional water bottle on the market
- Automatic water injection and food injection to meet daily needs



.005

L471xW254xH203(mm)



.006

L485xW252xH200(mm)
L485xW252xH300(mm)

THE CAT CAGE



422
L490 x W355 x H320(mm)
Selectable Colours: Red / Grey



437
L610 x W415 x H410(mm)
Selectable Colours: Red / Blue / Green

The litter box

Selectable Colours: Red / Grey



423A
L995xW655xH305(mm)

423B
L800xW545xH245(mm)

423C
L620xW432xH225(mm)

423D
L490xW343xH185(mm)

423E
L1210xW820xH370(mm)



More advantages compared with similar products

- Bottom fluffy cushion, more comfortable
- Easy to clean
- Lightweight and durable