

GROUP

Founded in 1993

Company presentation



Workshop and equipment



Fourth workshop



Sixth workshop



Numerical control punching machine



Laser cutting machine

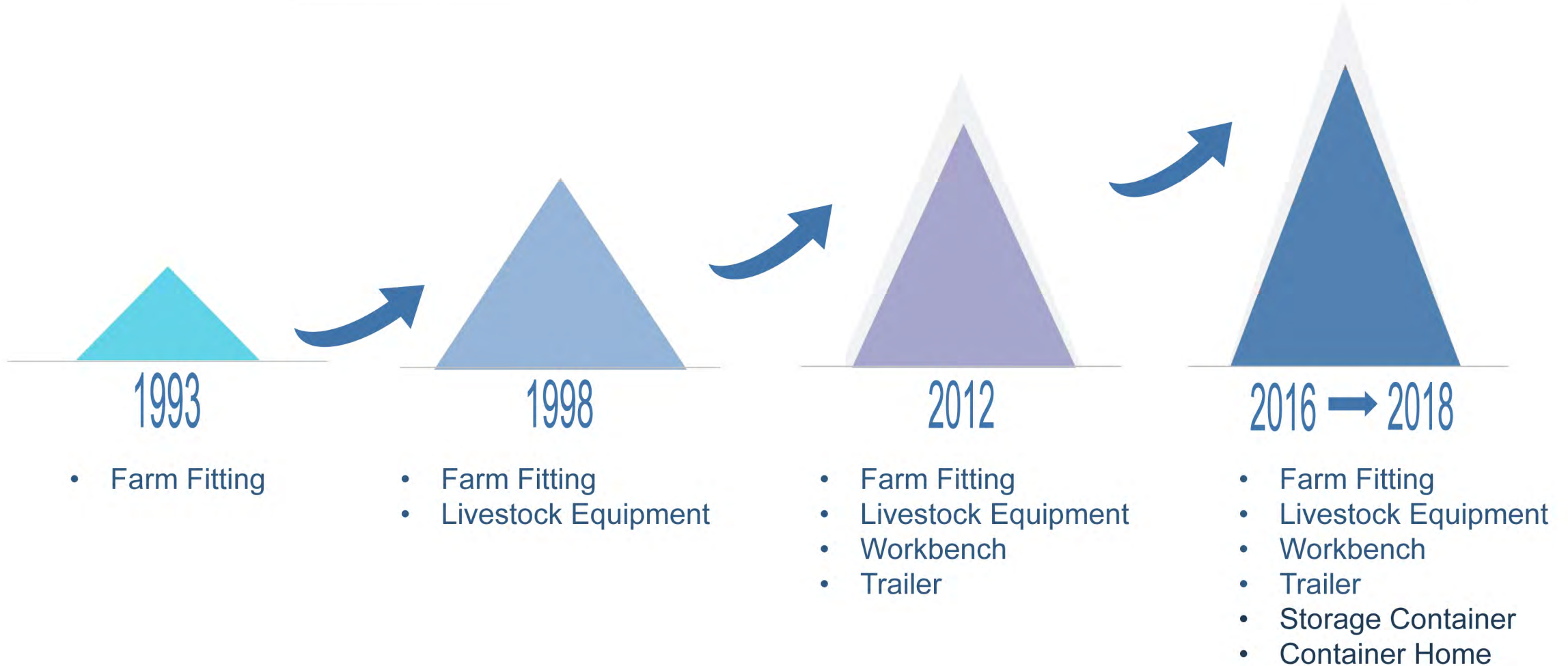


Bending machine

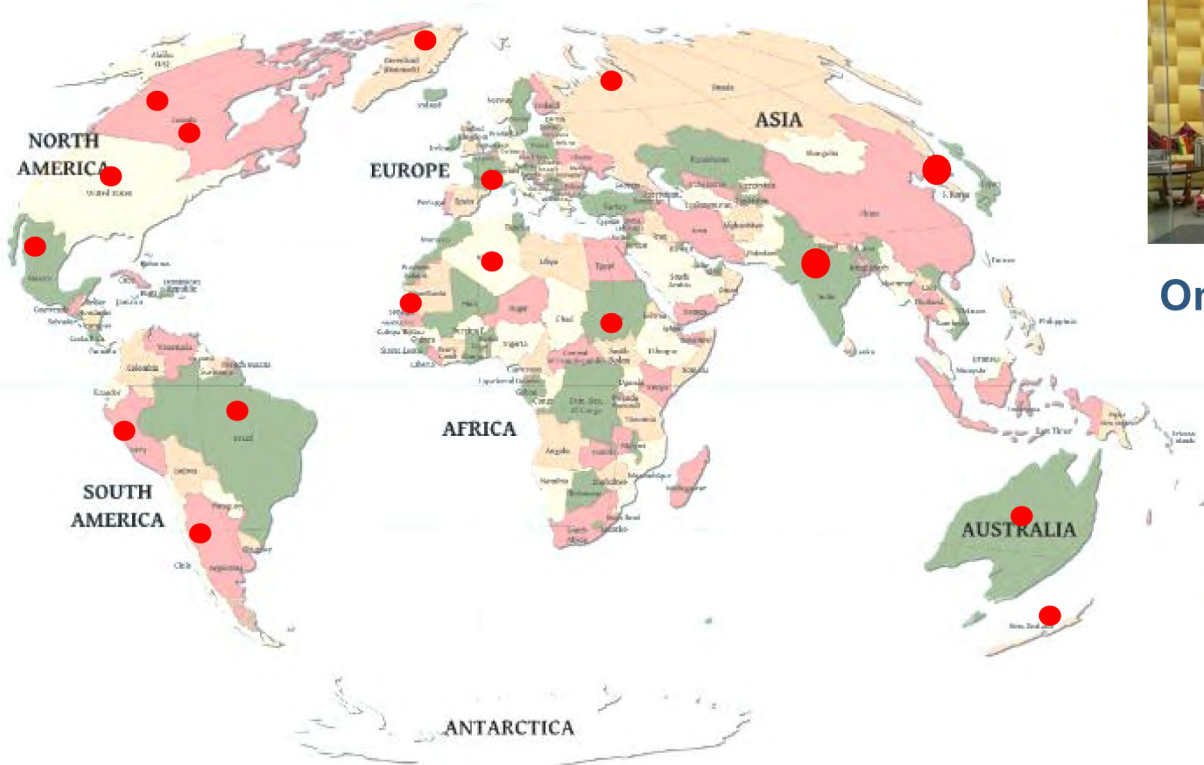


CNC

History

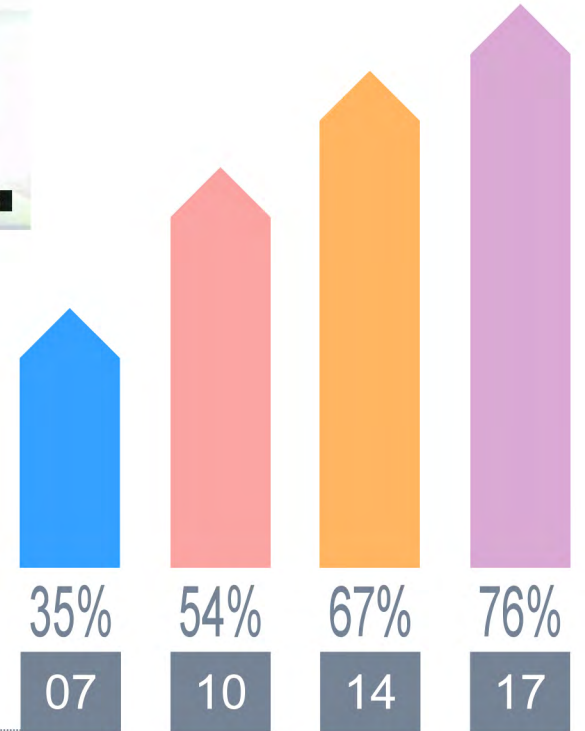


Main Market



One Belt One Road 2017

maintain Growth
Since 1993



Australia



New Zealand



United States



Canada



Key Products



**Livestock
Equipment**

30%



Trailer

30%



Workbench

20%



**Storage
Container**

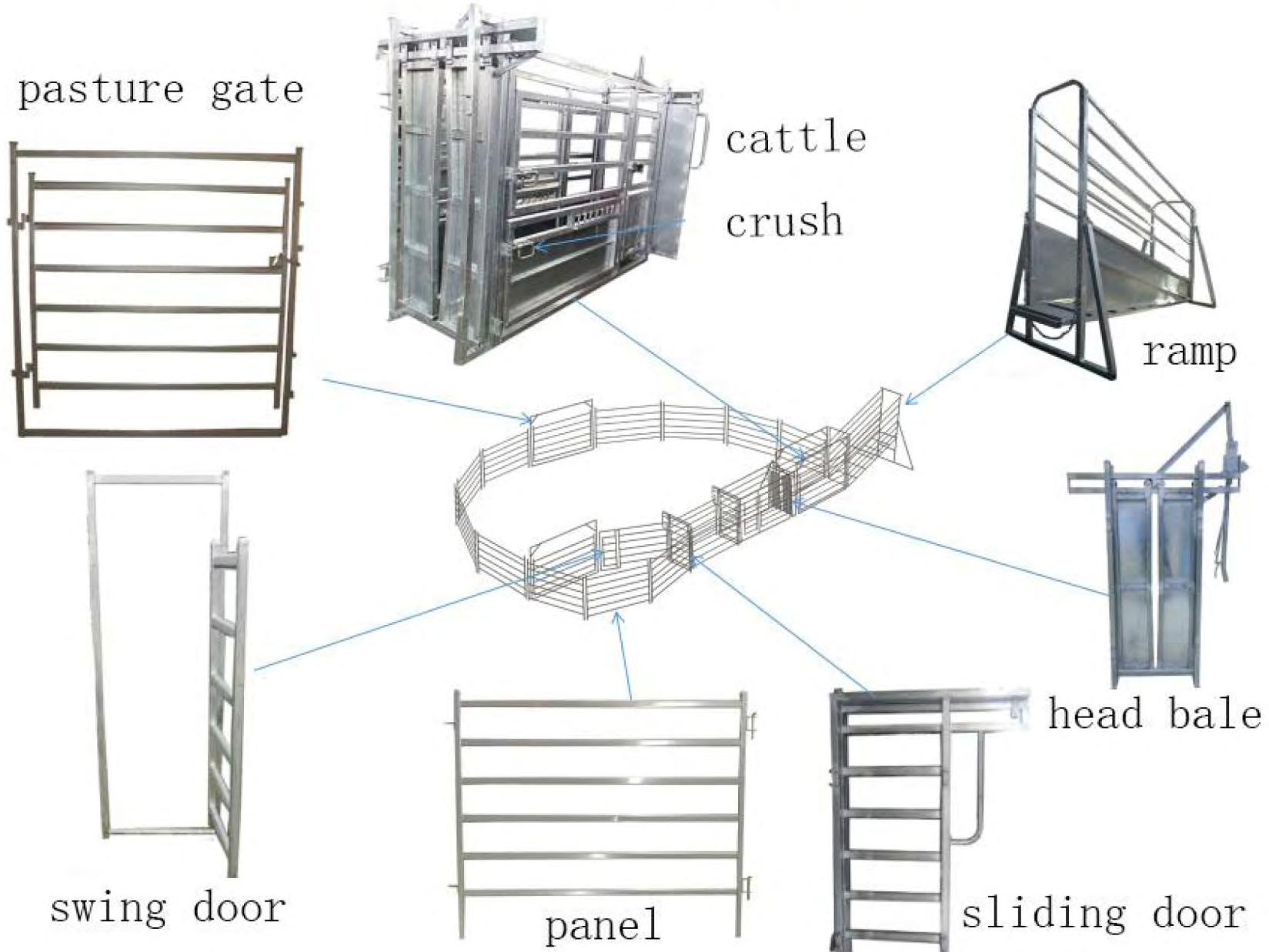
15%

Production Capacity

- 60-80 Containers Per month
- US\$30-50 Million Per Year



Cattle yard equipment



Cattle crush with scale

B-type, C-type, F-type, G-type

Overall size: 3050mm x 725mm x 1740mm

Surface: powder coated or hot dip galvanized

Can be with scale, maximum weight of scale: 2T

Can squeeze the cattle

Scale display: LED display

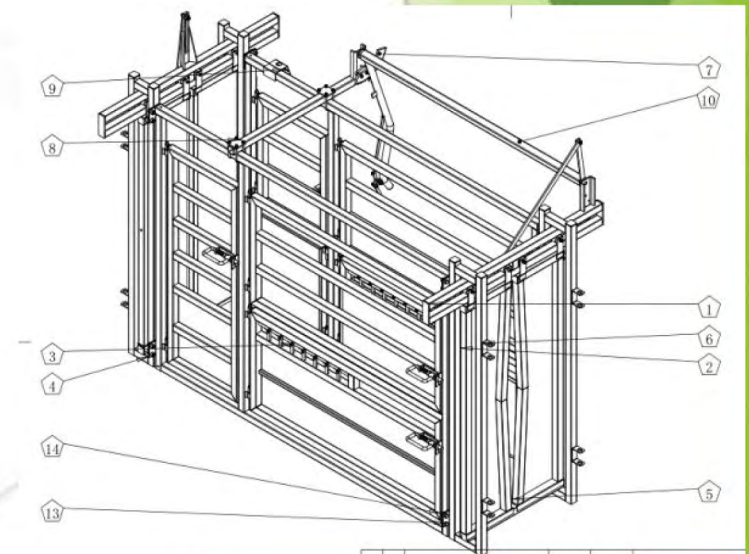
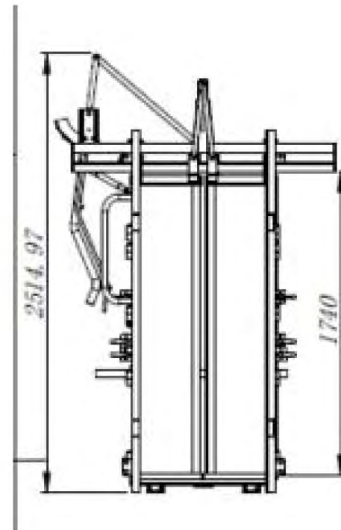


1) B-type

Features

***Adjustable safety handle;**

***Rear gate as right:**



Sheep equipment



Sheep scale crate



Auto sheep draft



Sheep or small cattle handling equipment



3 Way V Race Sheep Drafter



Sheep turnover crate



sheep yard trailer

3. Horse stable

Mould 1

Size:2750x2750x2300mm

material:32*32x2mm square tube;25x2.5mm round pipe. canvas cover with EPE interlayer

Finish:Hot Dip Galvanized



Mould 2

Size: 3985x3958x2200mm

material:50*25*2mmRHS 25*2mm round pipe
Surface finish:Hot Dip Galvanized

With bamboo plate and slide door

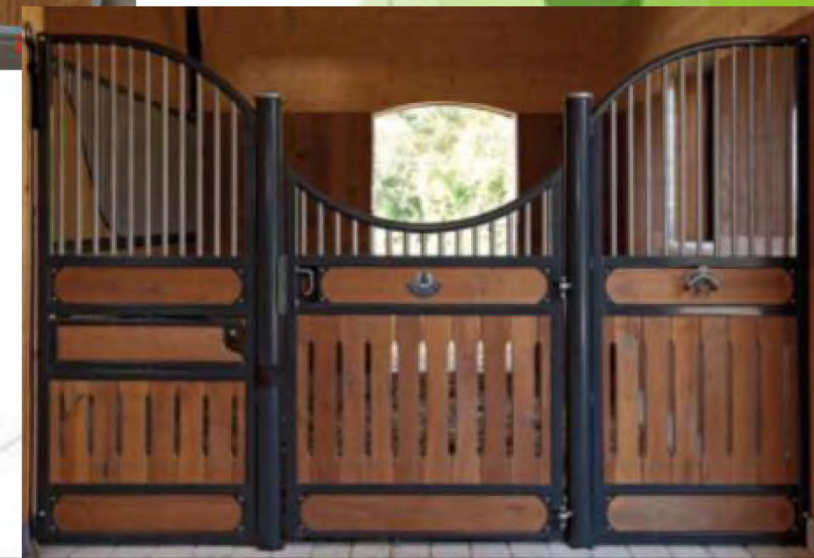


Mould 3

Size: 3570x2200mm

Material:50.8*50.8*2.7mm RHS 25.4*2mm round pipe

Surface Finish: Powder coated





Tool cabinet



Classical product



Tent



Party tent



Pagoda tent



Storage tent



Storage solution

Size: 5f 6f 7f 8f 9f 10f



Mini ▼
container





Container house

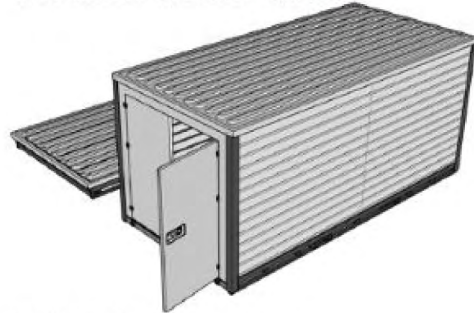
Standard sea container



Standard Container house



16ft Mobile foldable container



Flat pack container house

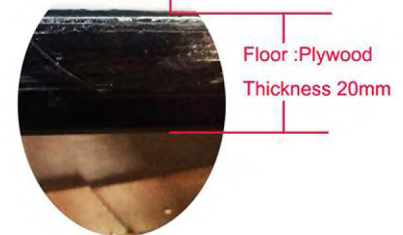
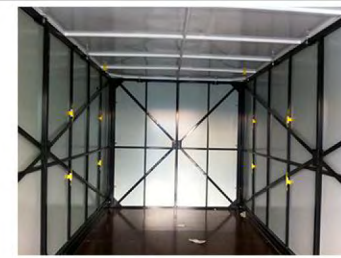


4-10ft mini container



Inside layout









Container Modifaction





Flat Pack Mini container





team



A close-up photograph of two people in business attire shaking hands. The person on the left is wearing a dark blue suit jacket, and the person on the right is wearing a light blue suit jacket. The background is a blurred world map. The word "THANKS" is overlaid in large white capital letters.

THANKS

Welcome to visit our factory and looking forward to cooperating with you!