

# Temperature measuring instrument (1-channel)

testo 110 – NTC and Pt100  
temperature measuring  
instrument with App connection



---

Simple, fast and particularly precise temperature measurement with NTC or Pt100 probes (optionally available)

---

Fast in-app configuration, graph history, second screen and measurement data memory in the testo Smart App

---

HACCP-compliant, certified according to EN 13485 for use in the food sector

---

High-precision measurement results and high system accuracy with digital Pt100 sensors (calibration without measuring instrument)

---

Audible alarm sounds if a limit value is exceeded

---



testo Smart App  
for free download



Easy to use and precise in measurement: This is how the compact temperature measuring instrument testo 110 convinces every day in use. The fast temperature all-rounder can show its strengths particularly in applications in **laboratories or in the food environment**: The optionally available NTC or Pt100 probes cover a comprehensive range of measuring tasks and ensure exact results with particularly high accuracy.

The digital Pt100 probes can also be calibrated without the measuring instrument - so you can easily continue working with a different probe without downtime.

Of course, the testo 110 is HACCP-compliant, certified to EN13485 and, with the optional TopSafe protective cover, dust-tight and protected against water jets (protection class IP65).

The temperature measuring instrument is rounded off by the testo Smart App for smartphones and tablets:

- Configuration of testo 110
- Second display
- Measurement data memory
- Display of the measured values (table, graphic progression)
- Documentation

# Ordering data / technical data / accessories

## testo 110

testo 110, 1-channel temperature measuring instrument NTC / Pt100 with App connection, TUC probe socket and audible alarm, incl. transport bag, calibration protocol and 3 x AA batteries

Order no. 0563 0110



## TopSafe

TopSafe, protects against impact and dirt, with attachment magnets and stand-up bracket

Order no. 0516 0224



## The testo Smart App

- Simple and fast: Measurement menus for numerous applications provide optimum support in configuring and carrying out the measurement
- Clear graphical presentation of readings, e.g. as a table, for quick interpretation of results
- Create digital measurement reports including photos as PDF/CSV files on site and send via e-mail

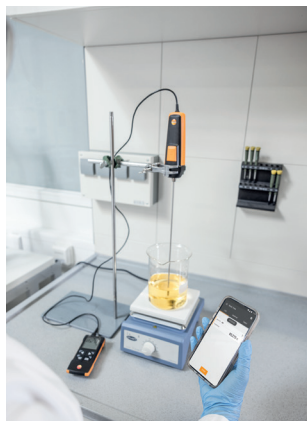



Free download for Android and iOS



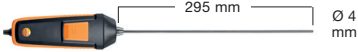
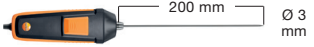
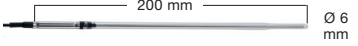



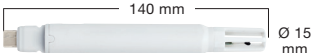
### Sensor types

| NTC                    |  |
|------------------------|--|
| Measuring range        | -50 to +150 °C   |
| Accuracy ±1 digit      | ±0.2 °C (-20 to +80 °C)<br>±0.3 °C (remaining meas. range) |
| Resolution             | 0.1 °C   |
| Pt100                  |  |
| Measuring range        | -200 to +800 °C  |
| Accuracy ±1 digit      | according to the probe accuracy                            |
| Resolution             | according to the probe accuracy                            |
| General technical data |  |
| Operating temperature  | -20 to +50 °C  |
| Storage temperature    | -20 to +50 °C  |
| Battery type           | 3 x AA   |
| Battery life           | 100 h  |
| Dimensions             | 135 x 60 x 28 mm   |
| Weight                 | 187 g  |
| Protection class       | IP40<br>with TopSafe: IP65                                 |
| Housing material       | ABS + PC / TPE   |



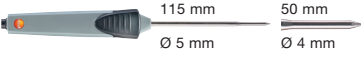
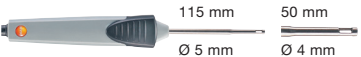



| Accessories  | Order no. |
|--|-----------|
| TopSafe, protects against impact and dirt, with attachment magnets and stand-up bracket  | 0516 0224 |
| testo Bluetooth® printer, incl. 1 roll of thermal paper, rech. battery and mains unit  | 0554 0621 |
| Spare thermal paper for printer (6 rolls), measurement data documentation can be read for up to 10 years                           | 0554 0568 |
| ISO temperature calibration certificate, for air/immersion probe, calibration points -18 °C; 0 °C; +60 °C                          | 0520 0001 |
| ISO temperature calibration certificate, one-point calibration for surface thermometer, calibration point +60 °C                   | 0520 0072 |
| ISO temperature calibration certificate, one-point calibration for surface thermometer, calibration point +120 °C                  | 0520 0073 |
| DAkKS temperature calibration certificate, measuring instruments with air/immersion probe; calibration points -20 °C; 0 °C; +60 °C | 0520 0211 |

# Digital Pt100 and NTC temperature probes

| Probe type  |  | Measuring range                       | Accuracy   | Resolution | Order no. |
|---|--|---------------------------------------|--|------------|-----------|
| <b>Digital Pt100 temperature probe</b>  |  |                                       |  |            |           |
| <b>High-precision digital Pt100 penetration probe</b> for measurements in liquids and pastes with an accuracy of up to $\pm 0.05^\circ\text{C}$ |  295 mm<br>Ø 4 mm           | -80 to +300 °C                        | $\pm 0.3^\circ\text{C}$ (-80 to -40.001 °C)<br>$\pm 0.1^\circ\text{C} + 0.05\%$ of m.v.) (-40 to -0.001 °C)<br>$\pm 0.05^\circ\text{C}$ (0 to +100 °C)<br>$\pm (0.05^\circ\text{C} + 0.05\%$ of m.v.) (+100.001 to +300 °C)                                      | 0.001 °C   | 0618 0275 |
| <b>Digital Pt100 penetration probe</b> for measurements in liquids and pastes   |  200 mm<br>Ø 3 mm           | -100 to +400 °C                       | $\pm (0.15^\circ\text{C} + 0.2\%$ of m.v.) (-100 to -0.01 °C)<br>$\pm (0.15^\circ\text{C} + 0.05\%$ of m.v.) (0 to +100 °C)<br>$\pm (0.15^\circ\text{C} + 0.2\%$ of m.v.) (+100.01 to +350 °C)<br>$\pm (0.5^\circ\text{C} + 0.5\%$ of m.v.) (+350.01 to +400 °C) | 0.01 °C    | 0618 0073 |
| <b>Glass-coated digital Pt100 laboratory probe</b> for measurements in corrosive media  |  200 mm<br>Ø 6 mm           | -50 to +400 °C                        | $\pm (0.3^\circ\text{C} + 0.3\%$ of m.v.) (-50 to +300 °C)<br>$\pm (0.4^\circ\text{C} + 0.6\%$ of m.v.) (+300.01 to +400 °C)   | 0.01 °C    | 0618 7072 |
| <b>Robust, fast-reaction, digital Pt100 air probe</b>   |  200 mm<br>Ø 4 mm           | -100 to +400 °C                       | $\pm (0.15^\circ\text{C} + 0.2\%$ of m.v.) (-100 to -0.01 °C)<br>$\pm (0.15^\circ\text{C} + 0.05\%$ of m.v.) (0 to +100 °C)<br>$\pm (0.15^\circ\text{C} + 0.2\%$ of m.v.) (+100.01 to +350 °C)<br>$\pm (0.5^\circ\text{C} + 0.5\%$ of m.v.) (+350.01 to +400 °C) | 0.01 °C    | 0618 0072 |
| <b>Flexible digital Pt100 temperature probe</b> for measurements in locations that are difficult to access and in liquids                       |  Ø 4 mm<br>Length 1000 mm | -100 to +260 °C                       | $\pm (0.3^\circ\text{C} + 0.3\%$ of m.v.)  | 0.01 °C    | 0618 0071 |
| <b>Digital Pt100 cable temperature probe</b><br>Cable length 1.3 m  |  Length 90 mm<br>Ø 4 mm   | -85 to +150 °C (probe and cable only) | $\pm (0.25^\circ\text{C} + 0.3\%$ of reading) at -49.9 to +99.9 °C<br>$\pm 0.55^\circ\text{C}$ remaining measuring range   | 0.01 °C    | 0572 2163 |
| <b>Digital NTC temperature probe</b>  |  |                                       |  |            |           |
| <b>Digital NTC stub temperature probe</b>   |  140 mm<br>Ø 15 mm        | -30 to +50 °C                         | $\pm 0.4^\circ\text{C}$  | 0.1 °C     | 0572 2162 |

# Analog NTC temperature probe

| Probe type   | Probe shaft/probe shaft tip dimensions   | Measuring range | Accuracy  | Response time | Order no. |
|--|--|-----------------|---|---------------|-----------|
| Pipe wrap probe (NTC) for pipe diameters of 5 to 65 mm, fixed cable 1.2 m              |   | -50 to +120 °C  | ±0.2 °C (-25 to +80 °C)   |               | 0615 5605 |
| Temperature probe with Velcro (NTC), fixed cable 1.4 m                                 | <br>300 mm                                  | -50 to +70 °C   | ±0.2 °C (-25 to +70 °C)<br>±0.4 °C (-50 to -25.1 °C)  | 60 s          | 0615 4611 |
| Waterproof NTC immersion/penetration probe, fixed cable 1.2 m                          | <br>115 mm      50 mm<br>Ø 5 mm      Ø 4 mm | -50 to +150 °C  | ±0.5% of m.v. (+100 to +150 °C)<br>±0.2 °C (-25 to +74.9 °C)<br>±0.4 °C (remaining meas. range) | 10 s          | 0615 1212 |
| Robust air probe NTC, fixed cable 1.2 m  | <br>115 mm      50 mm<br>Ø 5 mm      Ø 4 mm | -50 to +125 °C  | ±0.2 °C (-25 to +80 °C)<br>±0.4 °C (remaining meas. range)                                      | 60 s          | 0615 1712 |
| Clamp probe for measurements on pipes from 6 to 35 mm diameter, NTC, fixed cable 1.5 m |   | -40 to +125 °C  | ±1 °C (-20 to +85 °C)   | 60 s          | 0615 5505 |

1981 2214/msp/01..2023

Subject to change without notice.

Authorized Distributor  
**anaum**<sup>®</sup>  
 TEST & MEASUREMENT