



DIAL COMPARETOR

Dial Stand

Stock No.610

Traceability



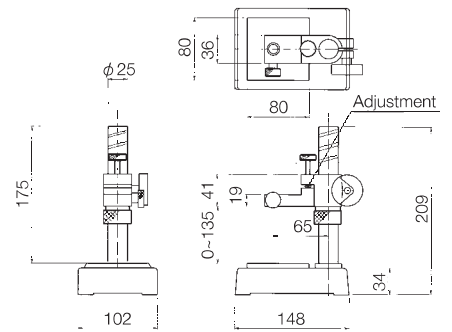
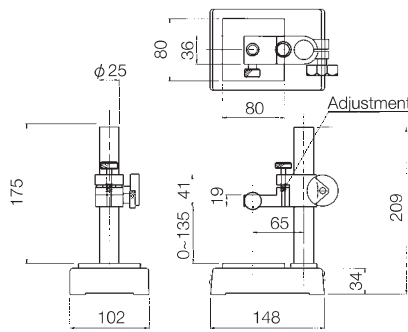
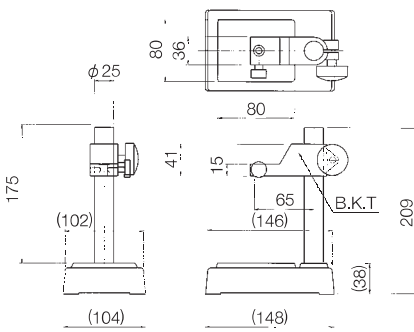
RS-1
Standard Model



RS-2
(With Adjustment)



RS-3
(With Adjustment)



- For relative measurement of thickness.
- It is possible to regrind the surface.
- NOTE : Dial Gauge is not included.

Unit = mm

Code #	Model	Measurable Height	Table Area	Adjustment Stroke	Net Weight (kg)
610-RS1	RS-1	0 ~ 135	80x80	-	3.4
610-RS2	RS-2	0 ~ 135		3	3.4
610-RS3	RS-3	20 ~ 135		3	3.4