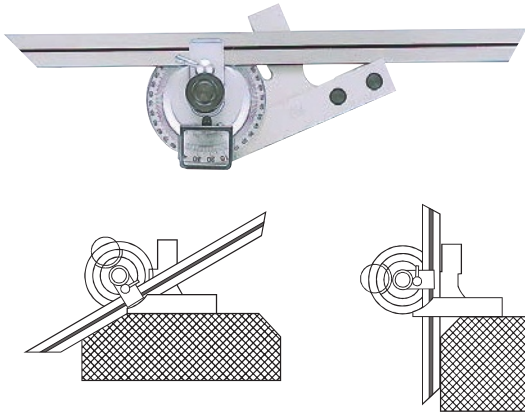


### Universal Bevel Protractor

Stock No.495

- 495-DQ Traceability
- 495-DA Traceability

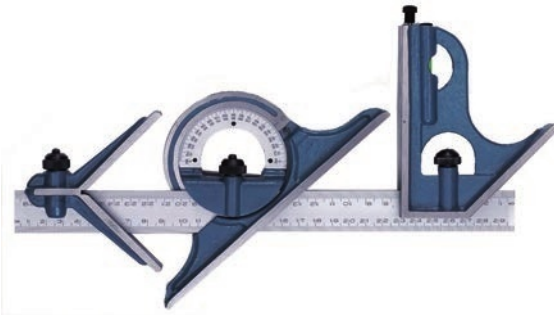


- Minimum scale of vernier is 5' (=1 /12°)
- To read scale easily, a magnifying glass is attached.
- Two sizes of blades are attached. 150mm and 300mm.

Code #	Model	Squareness of Blade (μm)	Parallellness of Blade (μm)	Net Weight (kg)
495-DQ	495-D ( Hardened )	10	10	0.62
495-DA	495-D ( ClassA )	10	10	
495-DB	495-D ( ClassB )	30	30	

### Combination Set

Stock No.589



- This enables marking-off, measuring angle, and square at once.
- The ruler has a scale marked in every 0.5mm and 1mm.

Code #	Size (mm)	Net Weight (kg)
589-300	300	1.0

### Micrometer Stand

Stock No.565

- Type-S and Type-Y can fasten in 0 ~ 25mm.
- Type-R can fasten in 200mm.



565-R



565-Y



565-S

Code #	Model	Net Weight (kg)
565-R	R	0.9

Code #	Model	Net Weight (kg)
565-Y	Y	0.8

Code #	Model	Net Weight (kg)
565-S	S	0.6