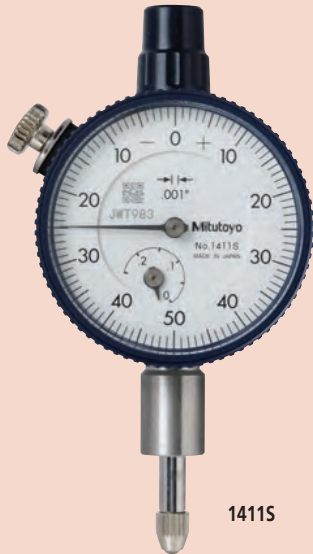


Dial Indicators

SERIES 1



1803S-10



1411S



1506S

SPECIFICATIONS

Inch

Stem dia. 3/8" #4-48 UNF Thread

ANSI/AGD type

Graduation	Range	Range / Rev	Dial reading	Order No.		Accuracy		Measuring force	Shockproof type	Jeweled bearing type
				(W/Lug)	(Flat-back)	First 2.5 Rev	Overall Accuracy			
.0001"	.025"	.01"	0-10	1802S-10	1802SB-10	±.0001"	±.0001"	1.4N or less	✓	✓
.0001"	.025"	.01"	0-5-0	1803S-10	1803SB-10	±.0001"	±.0001"	1.4N or less	✓	✓
.0005"	.1"	.04"	0-40	1670S	1670SB	±.0005"	±.0005"	1.4N or less		
.0005"	.1"	.04"	0-20-0	1671S	1671SB	±.0005"	±.0005"	1.4N or less		
.0005"	.125"	.05"	0-50	1506S	1506SB	±.0005"	±.0005"	1.4N or less		
.0005"	.125"	.05"	0-25-0	1507S	1507SB	±.0005"	±.0005"	1.4N or less		
.001"	.125"	.05"	0-50	1780S	1780SB	±.001"	±.001"	1.4N or less		
.001"	.125"	.025"	0-25-0	1781S	1781SB	±.001"	±.001"	1.4N or less		
.001"	.25"	.1"	0-100	1410S	1410SB	±.001"	±.001"	1.4N or less		
.001"	.25"	.1"	0-100	1410S-10	1410SB-10	±.001"	±.001"	1.4N or less		✓
.001"	.25"	.1"	0-50-0	1411S	1411SB	±.001"	±.001"	1.4N or less		



Shockproof type



Jeweled bearing type

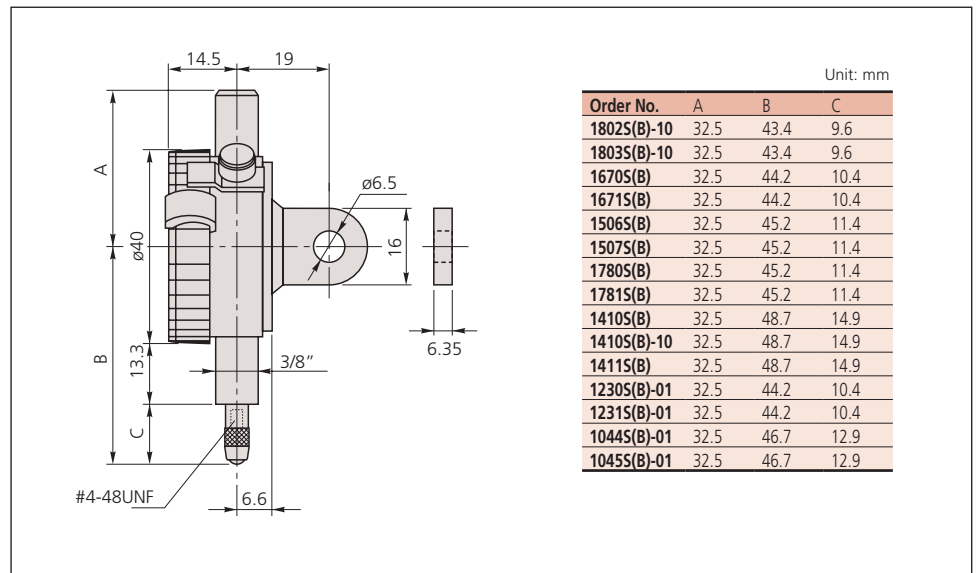
Metric

Metric - ANSI Standard Stem dia. 3/8" #4-48 UNF Thread yellow dial face

ANSI/AGD type

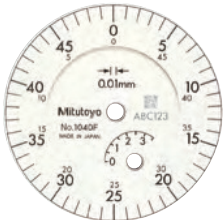
Graduation	Range	Range / Rev	Dial reading	Order No.		Accuracy		Measuring force
				(W/Lug)	(Flat-back)	First 2.5 Rev	Overall Accuracy	
0.002mm	0.5mm	0.2mm	0-20	1010S-11	1010SB-11	±0.002mm	±0.002mm	1.5N or less
0.002mm	0.5mm	0.2mm	0-10-0	1011S-11	1011SB-11	±0.002mm	±0.002mm	1.5N or less
0.01mm	2.5mm	1mm	0-100	1230S-01	1230SB-01	±0.01mm	-	1.4N or less
0.01mm	2.5mm	1mm	0-50-0	1231S-01	1231SB-01	±0.01mm	-	1.4N or less
0.01mm	5mm	1mm	0-100	1044S-01	1044SB-01	±0.01mm	±0.013mm	1.4N or less
0.01mm	5mm	1mm	0-50-0	1045S-01	1045SB-01	±0.01mm	±0.013mm	1.4N or less

DIMENSIONS



Dial Indicators

SERIES 1



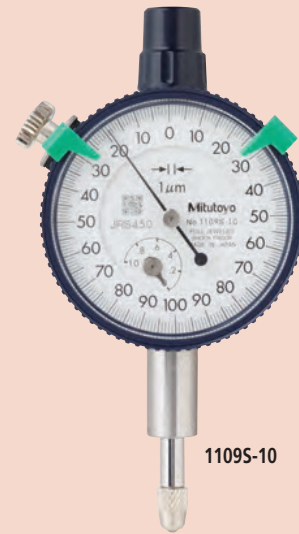
1040S



1013S



1045S



1109S-10



1003

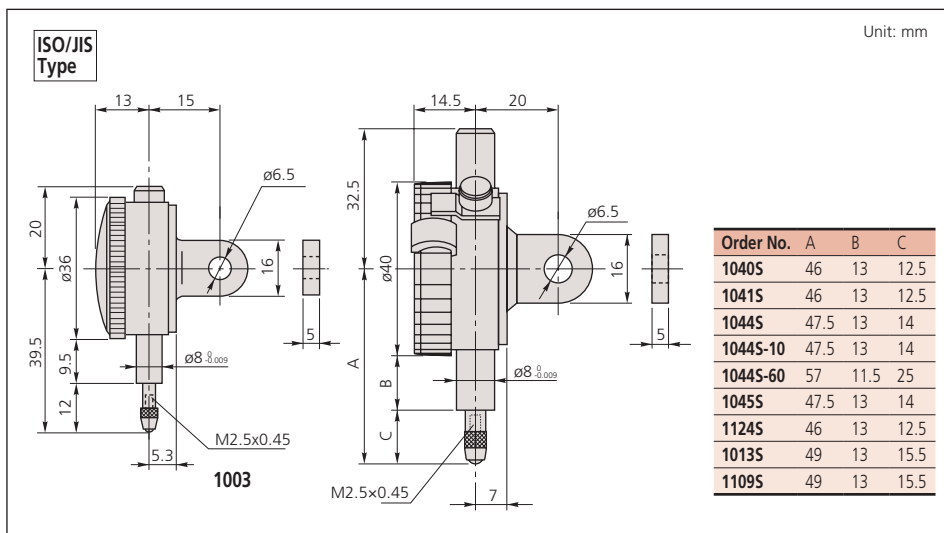


1044S

Graduation	Range	Range / Rev	Dial reading	Order No.		Accuracy		Measuring force	Shockproof type	Waterproof type	Jeweled bearing type
				(W/Lug)	(Flat-back)	First 2.5 Rev	Overall Accuracy				
				ISO/JIS type							
0.001mm	1mm	0.2mm	0-100-0	1109S-10	1109SB-10	±0.001mm	±0.007mm	1.5N or less	✓		✓
0.002mm	1mm	0.2mm	0-100-0	1013S-10	1013SB-10	±0.002mm	±0.01mm	1.5N or less	✓		✓
0.005mm	3.5mm	0.5mm	0-50	1124S	1124SB	±0.005mm	±0.013mm	1.4N or less			✓
0.01mm	3.5mm	0.5mm	0-50-0	1040S	1040SB	±0.01mm	±0.013mm	1.5N or less			
0.01mm	3.5mm	0.5mm	0-25-0	1041S	1041SB	±0.01mm	±0.013mm	1.5N or less			
0.01mm	4mm	1mm	0-50-0	1003	1003B	±0.01mm	±0.013mm	1.5N or less			
0.01mm	5mm	1mm	0-100	1044S	1044SB	±0.01mm	±0.013mm	1.5N or less			
0.01mm	5mm	1mm	0-100	1044S-60	1044SB-60	±0.01mm	±0.013mm	2N or less		✓	
0.01mm	5mm	1mm	0-100	1044S-10	1044SB-10	±0.01mm	±0.013mm	1.4N or less	✓		
0.01mm	5mm	1mm	0-50	1045S	1045SB	±0.01mm	±0.013mm	1.4N or less			

- Shockproof type
- Waterproof type
- Jeweled bearing type

DIMENSIONS



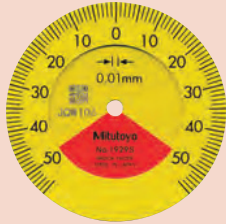


Dial Indicators

SERIES 1 — Compact One Revolution Type for Error-free Reading



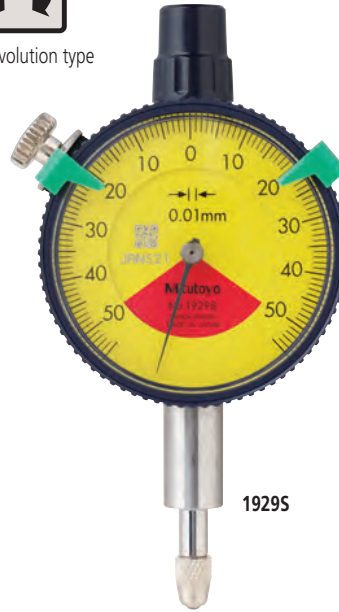
One revolution type



19295
19295-62



19005-10
19005-72



19295

Unlike many other dial indicators, the one-revolution dial indicator literally shows the entire spindle travel or range as one sweep of the hand, eliminating the possibility of reading errors due to miscounting the multiple revolutions. With one-revolution dial indicators, "within tolerance" and "out-of-tolerance" can never be misinterpreted. A unique shock-proof mechanism is incorporated, providing improved immunity to shock due to sudden spindle retraction caused by high impact.



Shockproof type



Dustproof type



Waterproof type



Jeweled bearing type

SPECIFICATIONS

Inch		Stem dia. 3/8", #4-48 UNF Thread		ANSI/AGD type						
Graduation	Range (range/full stroke)	Dial reading	Order No.		Accuracy	Measuring force	Shockproof	Dustproof	Waterproof	Jeweled bearing
			w/lug	Flat-back						
.0001"	.006" / .0079"	3-0-3	1910S-72	1910SB-72	±.0001"	1.4N or less	✓	✓	—	—
.0005"	.04" / .055"	20-0-20	1909S-62	1909SB-62	±.0005"	1.4N or less	✓	✓	—	—

Metric		Stem ø 8mm, M2.5 x 0.45 Thread		ISO/JIS type						
Graduation	Range (range/full stroke)	Dial reading	Order No.		Accuracy	Measuring force	Shockproof	Dustproof	Waterproof	Jeweled bearing
			w/lug	Flat-back						
0.001mm	0.1mm / 0.14mm	50-0-50	1900S-10	1900SB-10	±0.005mm	1.5N or less	✓	—	—	✓
0.001mm	0.1mm / 0.14mm	50-0-50	1900S-72	1900SB-72	±0.006mm	1.5N or less	✓	✓	—	✓
0.01mm	1mm / 1.4mm	50-0-50	1929S	1929SB	±0.011mm	1.4N or less	✓	—	—	—
0.01mm	1mm / 1.4mm	50-0-50	1929S-62	1929SB-62	±0.011mm	1.4N or less	✓	✓	—	—

Optional Accessories

- : Backs (See page F-33.)
- : Contact points (See page F-34.)

DIMENSIONS

