

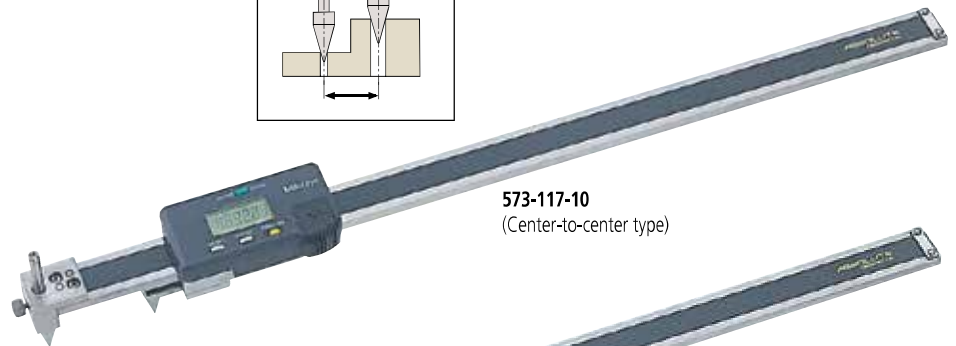
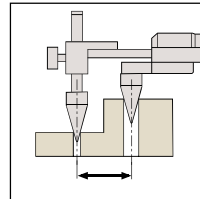
ABSOLUTE Back-Jaw Centerline Caliper

SERIES 573 — Center-to-Center & Edge-to-Center Types



FEATURES

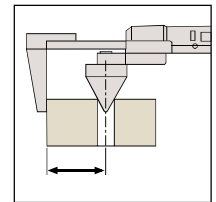
- Specially designed to measure the distance between two centers or the distance from an edge to center.
- Provided with jaws on the back of the slider, measurements can be read easily by upside down.
- Direct reading of pitch measurements is available due to the offset value setting function.
- With SPC data output.
- Supplied fitted in wooden case.



573-117-10
(Center-to-center type)



573-119-10
(Edge-to-center type)



Technical Data

Accuracy: Refer to the list of specifications
 Resolution: 0.01mm
 Display: LCD
 Length standard*: ABSOLUTE electrostatic capacitance type linear encoder
 Max. response speed: Unlimited
 Battery: SR44 (1 pc.), **938882**
 Battery life: Approx. 3.5 years under normal use

Function

Origin-set, Zero-setting, Power On/Off, Data output
 Alarm: Low voltage, Counting value composition error

Optional Accessories

- 959143:** Data hold unit
- 959149:** SPC cable with data switch (1m)
- 959150:** SPC cable with data switch (2m)

SPECIFICATIONS

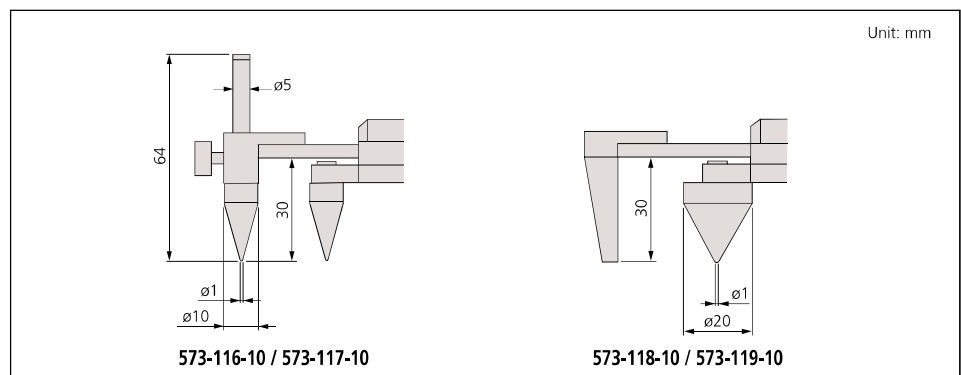
Metric Center-to-center distance type

Range	Order No.	Accuracy	Resolution	Mass (g)
10 - 200mm	573-116-10	±0.10mm	0.01mm	482
10 - 300mm	573-117-10	±0.15mm	0.01mm	578

Metric Edge-to-center distance type

Range	Order No.	Accuracy	Resolution	Mass (g)
10 - 200mm	573-118-10	±0.10mm	0.01mm	485
10 - 300mm	573-119-10	±0.15mm	0.01mm	581

DIMENSIONS



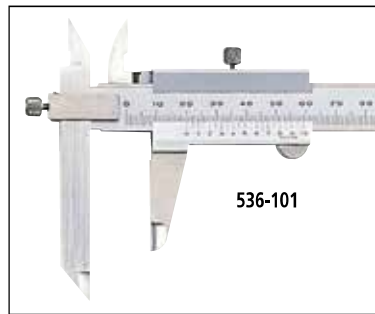
Offset Caliper

SERIES 573, 536 — ABSOLUTE Digimatic and Vernier Type



FEATURES

- Main scale jaw can slide up and down to facilitate measurement of stepped sections. (Hard-to-reach dimensions such as A, B, C can be accurately measured.)
- With depth bar.
- With SPC data output. (Series 573)
- Supplied in fitted plastic case.



SPECIFICATIONS

Metric		Digital model		
Range	Order No.	Accuracy	Resolution	Mass (g)
0 - 150mm	573-601-20	±0.02mm	0.01mm	168
0 - 200mm	573-602-20	±0.02mm	0.01mm	198
0 - 300mm	573-604	±0.03mm	0.01mm	350

Metric		Vernier model		
Range	Order No.	Accuracy	Graduation	Mass (g)
0 - 150mm	536-101	±0.05mm	0.05mm	150
0 - 200mm	536-102	±0.05mm	0.05mm	200
0 - 300mm	536-103	±0.08mm	0.05mm	400

Inch/Metric		Digital model		
Range	Order No.	Accuracy	Resolution	Mass (g)
0 - 6" / 0 - 150mm	573-701-20	±.001"	.0005" / 0.01mm	168
0 - 8" / 0 - 200mm	573-702-20	±.001"	.0005" / 0.01mm	198
0 - 12" / 0 - 300mm	573-704	±.0015"	.0005" / 0.01mm	350

DIMENSIONS

Unit: mm

Range	a	b	c	d
0 - 6" / 0 - 150mm	95	10	40	30.4 (30)
0 - 8" / 0 - 200mm	95	10	50	40.4 (38.5)
0 - 12" / 0 - 300mm	135	15	64	51

() Digital Model

Technical Data

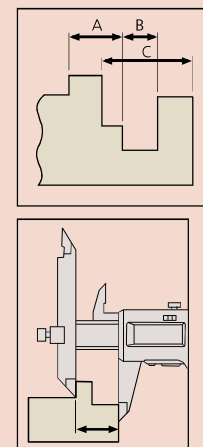
Accuracy: Refer to the list of specifications
 Resolution*: .0005"/0.01mm or 0.01mm
 Graduation**: 0.05mm
 Display*: LCD
 Length standard*: ABSOLUTE electrostatic capacitance type linear encoder
 Max. response speed*: Unlimited
 Battery*: SR44 (1 pc.), **938882**
 Battery life*: Approx. 3.5 years under normal use
 *Digital models **Analog models

Function of Digital Model

Origin-set, Zero-setting, Power On/Off, Data output, inch/mm conversion (on inch/metric models only)
 Alarm: Low voltage, Counting value composition error

Optional Accessories for Digital Model

- 05CZA624**: SPC cable with data switch (40" / 1m)
- 05CZA625**: SPC cable with data switch (80" / 2m)





Technical Data

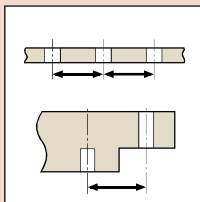
Accuracy: Refer to the list of specifications
 Resolution*: .0005"/0.01mm or 0.01mm
 Graduation**: 0.05mm
 Display*: LCD
 Length standard*: ABSOLUTE electrostatic capacitance type linear encoder
 Max. response speed*: Unlimited
 Battery*: SR44 (1 pc.), **938882**
 Battery life*: Approx. 3.5 years under normal use
 *Digital models **Analog models

Function of Digital Model

Origin-set, Zero-setting, Power On/Off, Data output, inch/mm conversion (on inch/metric models only)
 Alarm: Low voltage, Counting value composition error

Optional Accessories for Digital Model

05CZA624: SPC cable with data switch (40" / 1m)
05CZA625: SPC cable with data switch (80" / 2m)

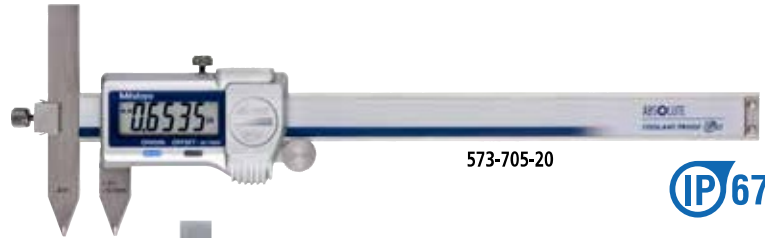


Offset Centerline Caliper

SERIES 573, 536 — ABSOLUTE Digimatic and Vernier Type

FEATURES

- Specially designed for center to center distance measurements on the same and offset planes.
- Can also measure from edge to center.
- Hole diameter should be in the range of 1.5mm - 10mm (.06" - .4").
- With SPC data output. (Series 573)
- Supplied in fitted plastic case.



SPECIFICATIONS

Metric		Digital model		
Range	Order No.	Accuracy	Resolution	Mass (g)
10 - 150mm	573-605-20	±0.03mm	0.01mm	157
10 - 200mm	573-606-20	±0.03mm	0.01mm	177
10 - 300mm	573-608	±0.04mm	0.01mm	320

Inch/Metric		Digital model		
Range	Order No.	Accuracy	Resolution	Mass (g)
.4 - 6" / 10 - 150mm	573-705-20	±.0015"	.0005" / 0.01mm	157
.4 - 8" / 10 - 200mm	573-706-20	±.0015"	.0005" / 0.01mm	177
.4 - 12" / 10 - 300mm	573-708	±.0015"	.0005" / 0.01mm	320

Metric		Vernier model		
Range	Order No.	Accuracy	Graduation	Mass (g)
10 - 150mm	536-105	±0.05mm	0.05mm	140
10 - 200mm	536-106	±0.05mm	0.05mm	160
10 - 300mm	536-107	±0.08mm	0.05mm	320

DIMENSIONS

Unit: mm

Analog model

Range	W	t
10 - 150mm	75	3
10 - 200mm	75	3
10 - 300mm	100	3.8

Digital model

Range	W	t
10 - 160mm/4 - 6.4"	75	3.5
10 - 210mm/4 - 8.4"	75	3.5
10 - 310mm/4 - 12.4"	100	3.8

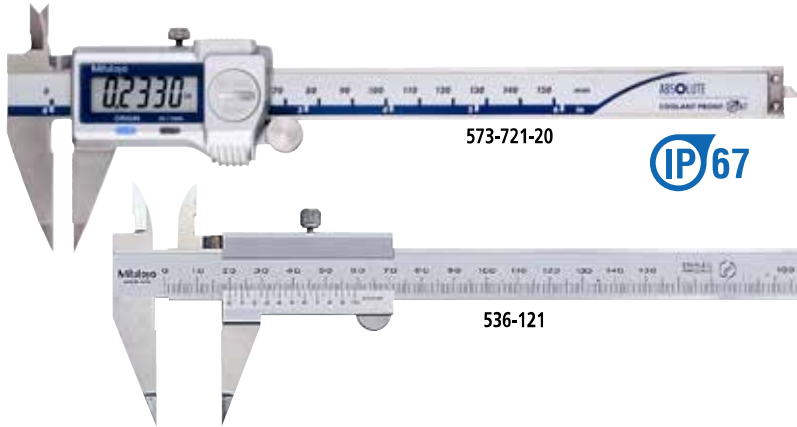
Point Caliper

SERIES 573, 536 — ABSOLUTE Digimatic and Vernier Type



FEATURES

- Narrow tip jaws fit into very small grooves and tracks, making many previously difficult outside measurements far easier to obtain.
- With depth bar.
- With SPC data output. (Series 573)
- Supplied in fitted plastic case.



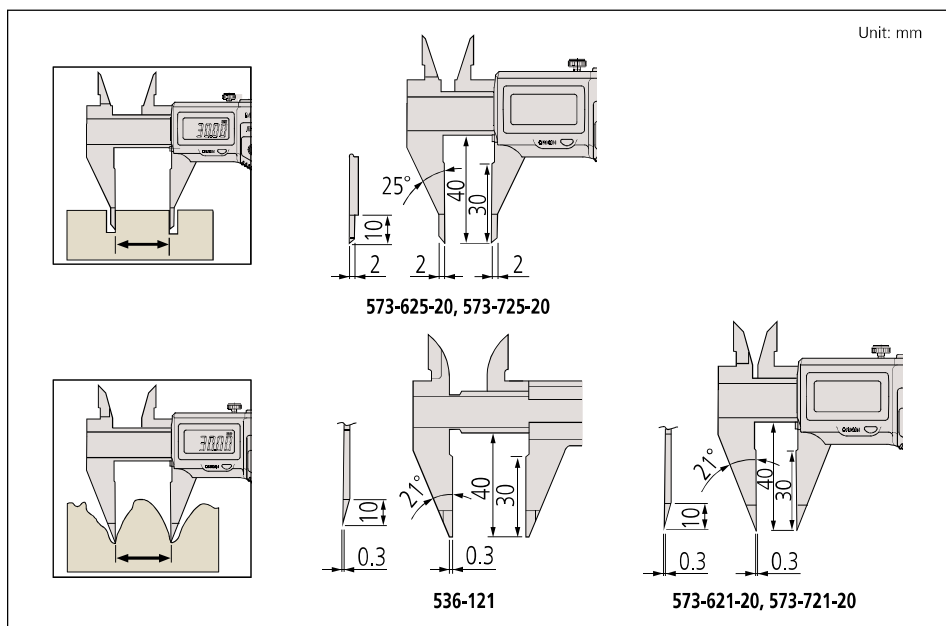
SPECIFICATIONS

Metric		Digital model		
Range	Order No.	Accuracy	Resolution	Mass (g)
0 - 150mm	573-621-20	±0.02mm	0.01mm	163
0 - 150mm	573-625-20	±0.02mm	0.01mm	163

Inch/Metric		Digital model		
Range	Order No.	Accuracy	Resolution	Mass (g)
0 - 6" / 0 - 150mm	573-721-20	±.001"	.0005" / 0.01mm	163
0 - 6" / 0 - 150mm	573-725-20	±.001"	.0005" / 0.01mm	163

Metric		Vernier model		
Range	Order No.	Accuracy	Graduation	Mass (g)
0 - 150mm	536-121	±0.05mm	0.05mm	150

DIMENSIONS



Technical Data

Accuracy: Refer to the list of specifications
 Resolution*: .0005"/0.01mm or 0.01mm
 Graduation**: 0.05mm
 Display*: LCD
 Length standard*: ABSOLUTE electrostatic capacitance type linear encoder
 Max. response speed*: Unlimited
 Battery*: SR44 (1 pc.), **938882**
 Battery life*: Approx. 3.5 years under normal use
 *Digital models **Analog models

Function of Digital Model

Origin-set, Zero-setting, Power On/Off, Data output, inch/mm conversion (on inch/metric models only)
 Alarm: Low voltage, Counting value composition error

Optional Accessories for Digital Model

- 05CZA624**: SPC cable with data switch (40" / 1m)
- 05CZA625**: SPC cable with data switch (80" / 2m)





Technical Data

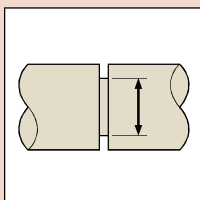
Accuracy: Refer to the list of specifications
 Resolution*: .0005"/0.01mm or 0.01mm
 Graduation**: 0.05mm
 Display*: LCD
 Length standard*: ABSOLUTE electrostatic capacitance type linear encoder
 Max. response speed*: Unlimited
 Battery*: SR44 (1 pc.), **938882**
 Battery life*: Approx. 3.5 years under normal use
 *Digital models **Analog models

Function of Digital Model

Origin-set, Zero-setting, Power On/Off, Data output, inch/mm conversion (on inch/metric models only)
 Alarm: Low voltage, Counting value composition error

Optional Accessories for Digital Model

05CZA624: SPC cable with data switch (40" / 1m)
05CZA625: SPC cable with data switch (80" / 2m)

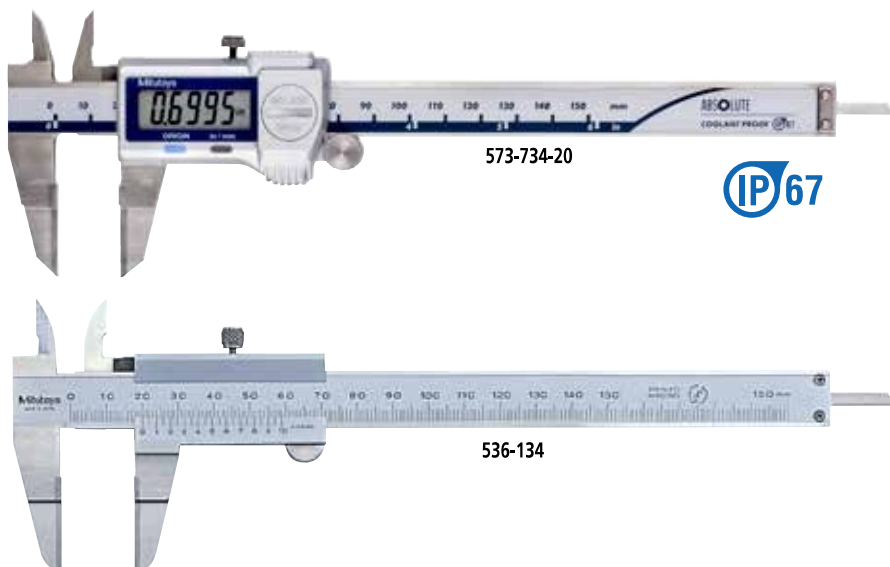


Blade-Type Caliper

SERIES 573, 536 — ABSOLUTE Digimatic and Vernier Type

FEATURES

- The thin-blade type jaws fit into very small grooves and making previously difficult outside measurements easier to obtain.
- The OD measuring faces are carbide-tipped.
- With depth bar.
- With SPC data output. (Series 573)
- Supplied in fitted plastic case.



SPECIFICATIONS

Metric		Digital model		
Range	Order No.	Accuracy	Resolution	Mass (g)
0 - 150mm	573-634-20	±0.02mm	0.01mm	168

Inch/Metric		Digital model		
Range	Order No.	Accuracy	Resolution	Mass (g)
0 - 6" / 0 - 150mm	573-734-20	±.001"	.0005" / 0.01mm	168

Metric		Vernier model		
Range	Order No.	Accuracy	Graduation	Mass (g)
0 - 150mm	536-134	±0.05mm	0.05mm	130
0 - 200mm	536-135	±0.05mm	0.05mm	160
0 - 300mm	536-136	±0.08mm	0.05mm	340

DIMENSIONS

Unit: mm

Analog model

Digital model

Range	D	d	e	t
0 - 6" / 0 - 150mm	40	20	0.75	3
0 - 200mm	50	25	0.75	3
0 - 300mm	64	30	1	3.8

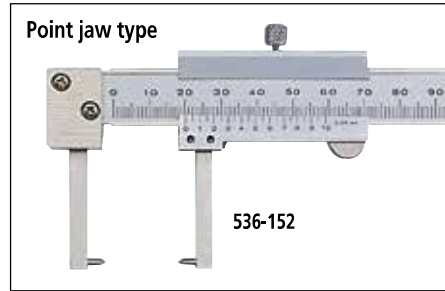
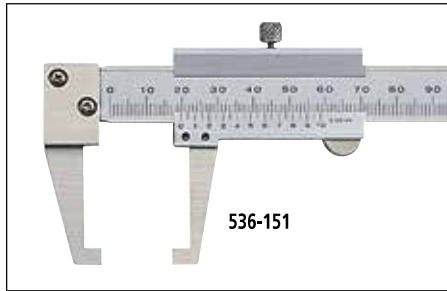
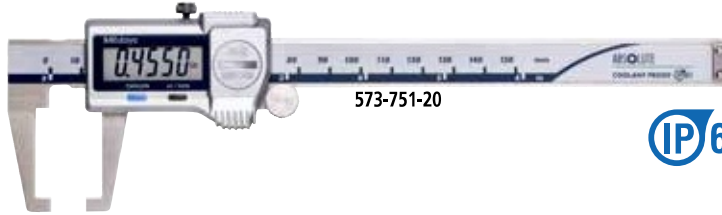
Neck Caliper

SERIES 573, 536 — ABSOLUTE Digimatic and Vernier Type



FEATURES

- Point-jaw type can measure wall thickness inside bores and recesses.
- Flat-jaw type can measure grooves and recesses.
- With SPC data output. (Series 573)
- Supplied in fitted plastic case.



SPECIFICATIONS

Metric Digital model

Range	Order No.	Accuracy	Resolution	Mass (g)
0 - 150mm	573-651-20	±0.03mm	0.01mm	157
0 - 150mm	573-652-20*	±0.03mm	0.01mm	157

*Point jaw type

Inch/Metric Digital model

Range	Order No.	Accuracy	Resolution	Mass (g)
0 - 6" / 0 - 150mm	573-751-20	±.0015"	.0005" / 0.01mm	157
0 - 6" / 0 - 150mm	573-752-20*	±.0015"	.0005" / 0.01mm	157

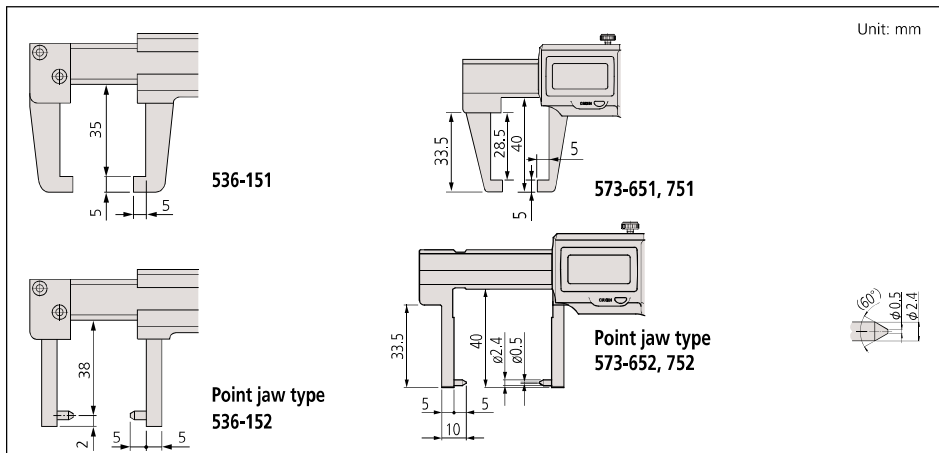
*Point jaw type

Metric

Range	Order No.	Accuracy	Graduation	Mass (g)
0 - 150mm	536-151	±0.05mm	0.05mm	140
0 - 150mm	536-152*	±0.05mm	0.05mm	140

*Point jaw type

DIMENSIONS



Technical Data

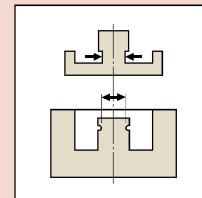
Accuracy: Refer to the list of specifications
 Resolution*: 0.01mm or .0005"/0.01mm
 Graduation**: 0.05mm
 Display*: LCD
 Length standard*: ABSOLUTE electrostatic capacitance type linear encoder
 Max. response speed*: Unlimited
 Battery*: SR44 (1 pc.), **938882**
 Battery life*: Approx. 3.5 years under normal use
 *Digital models **Analog models

Function of Digital Model

Origin-set, Zero-setting, Power On/Off, Data output, inch/mm conversion (on inch/metric models only)
 Alarm: Low voltage, Counting value composition error

Optional Accessories for Digital Model

- 05CZA624**: SPC cable with data switch (1m / 40")
- 05CZA625**: SPC cable with data switch (2m / 80")





Tube Thickness Caliper

SERIES 573, 536 — ABSOLUTE Digimatic and Vernier Type

FEATURES

- The main scale jaw is a round bar that facilitates measurements of tube wall thickness.
- With SPC data output. (Series 573)
- Supplied in fitted plastic case.



Technical Data

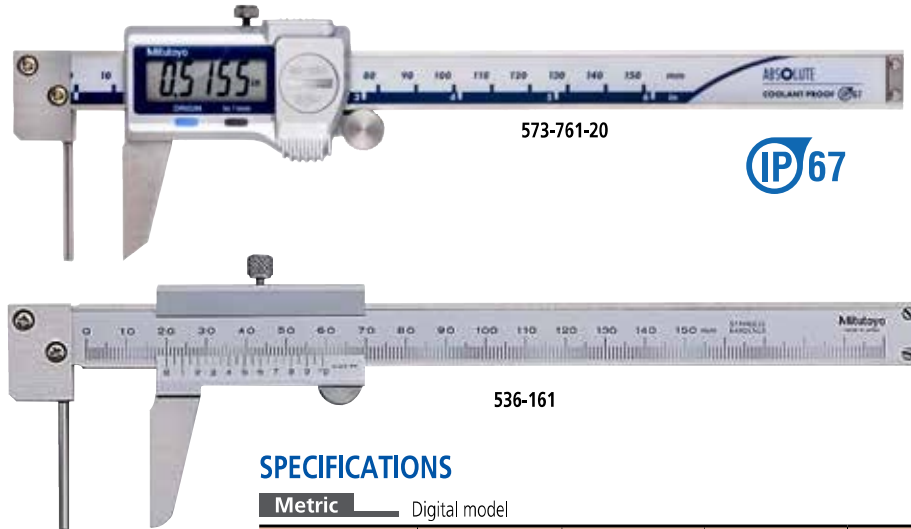
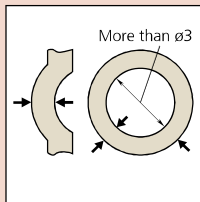
Accuracy: Refer to the list of specifications
 Display*: LCD
 Length standard: ABSOLUTE electrostatic capacitance type linear encoder
 Max. response speed*: Unlimited
 Battery*: SR44 (1 pc.), 938882
 Battery life*: Approx. 3.5 years under normal use
 *Digital models **Analog models

Function of Digital Model

Origin-set, Zero-setting, Power On/Off, Data output, inch/mm conversion (on inch/metric models only)
 Alarm: Low voltage, Counting value composition error

Optional Accessories for Digital Model

- 05CZA624:** SPC cable with data switch (40" / 1m)
05CZA625: SPC cable with data switch (80" / 2m)



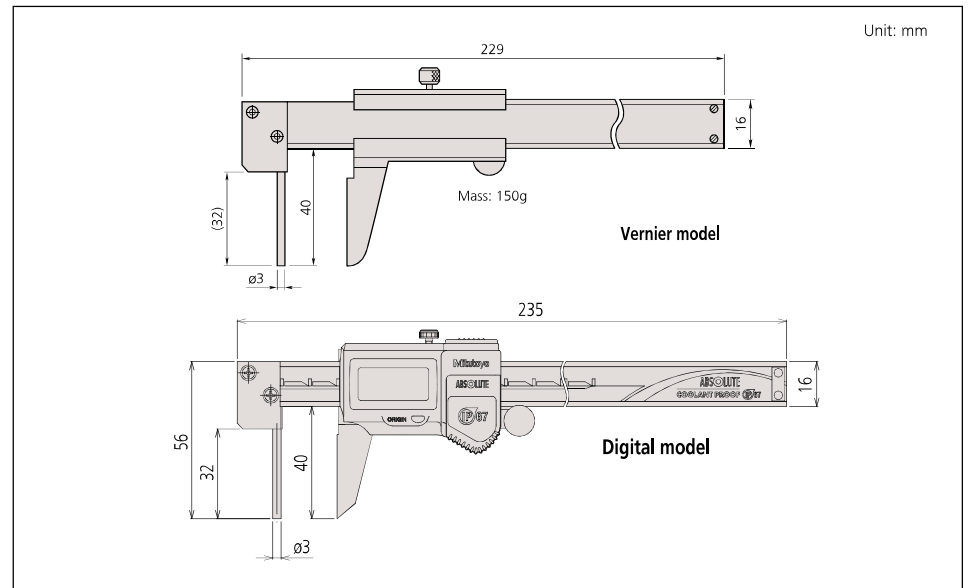
SPECIFICATIONS

Metric		Digital model		
Range	Order No.	Accuracy	Resolution	Mass(g)
0 - 150mm	573-661-20	±0.05mm	0.01mm	167

Inch/Metric		Digital model		
Range	Order No.	Accuracy	Resolution	Mass(g)
0 - 6" / 0 - 150mm	573-761-20	±.002"	.0005" / 0.01mm	167

Metric		Vernier model		
Range	Order No.	Accuracy	Graduation	Mass(g)
0 - 150mm	536-161	±0.05mm	0.05mm	150

DIMENSIONS AND MASS

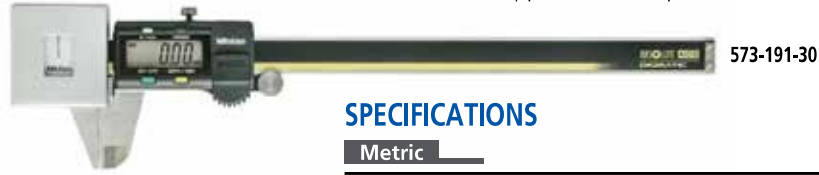


ABSOLUTE Low-Force Caliper

SERIES 573

FEATURES

- Due to their low measuring force, these calipers are ideal for elastic or resilient workpieces such as plastic parts and rubber parts that standard calipers cannot measure.
- With SPC data output.
- Supplied in fitted plastic case.

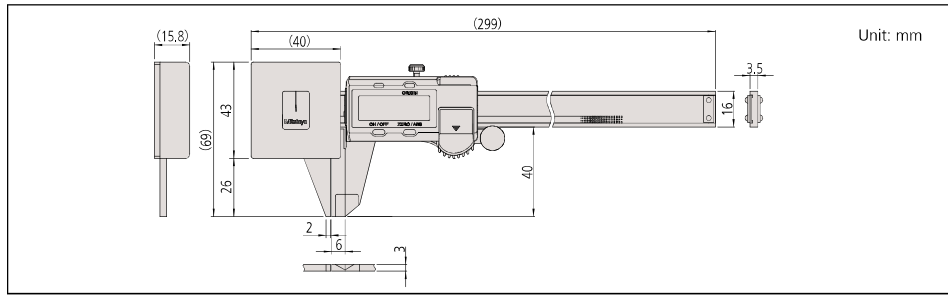


SPECIFICATIONS

Metric				
Range	Order No.	Accuracy	Resolution	Mass (g)
0 - 180mm	573-191-30	±0.05mm	0.01mm	253

Inch/Metric				
Range	Order No.	Accuracy	Resolution	Mass (g)
0 - 7" / 0 - 180mm	573-291-30	±.002"	.0005" / 0.01mm	253

DIMENSIONS AND MASS

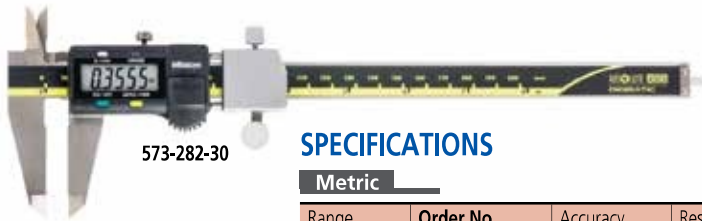


ABSOLUTE Snap Caliper

SERIES 573

FEATURES

- The ABSOLUTE Digimatic snap caliper features a spring-loaded mechanism to allow quick and efficient go/no-go inspection for mass production parts.
- With SPC data output.
- Supplied in fitted plastic case.

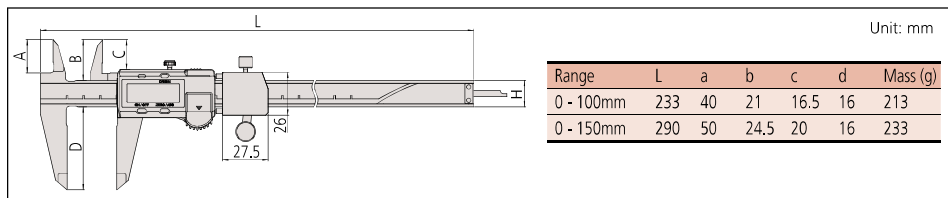


SPECIFICATIONS

Metric				
Range	Order No.	Accuracy	Resolution	Mass (g)
0 - 100mm	573-181-30	±0.02mm	0.01mm	213
0 - 150mm	573-182-30	±0.02mm	0.01mm	233

Inch/Metric				
Range	Order No.	Accuracy	Resolution	Mass (g)
0 - 4" / 0 - 100mm	573-281-30	±.001"	.0005" / 0.01mm	213
0 - 6" / 0 - 150mm	573-282-30	±.001"	.0005" / 0.01mm	233

DIMENSIONS AND MASS



Technical Data

Accuracy: Refer to the list of specifications
 Resolution: .0005"/0.01mm or 0.01mm
 Display: LCD
 Length standard: ABSOLUTE Electromagnetic Induction-type Linear Encoder
 Measuring force: 0.5N-1.0N (50gf to 100gf)
 Jaw retraction: 0.3mm
 Max. response speed: Unlimited
 Battery: SR44 (1 pc.), **938882**
 Battery life: Approx. 3.5 years under normal use

Function

Origin-set, Zero-setting, Power On/Off, Data output, inch/mm conversion (on inch/metric models only)
 Alarm: Low voltage, Counting value composition error

Optional Accessories

- 959143:** Data hold unit
- 959149:** SPC cable with data switch (40" / 1m)
- 959150:** SPC cable with data switch (80" / 2m)



Measurement procedures



A consistently low measuring force can be guaranteed by only taking measurements when the pointer is between the two fiducial lines.



Technical Data

Accuracy: Refer to the list of specifications
 Resolution: .0005"/0.01mm or 0.01mm
 Repeatability: .0005" / 0.01mm
 Display: LCD
 Length standard: ABSOLUTE Electromagnetic Induction-type Linear Encoder
 Measuring force: 7N to 14N (700gf to 1400gf)
 Jaw retraction: 2mm
 Max. response speed: Unlimited
 Battery: SR44 (1 pc.), **938882**
 Battery life: Approx. 3.5 years under normal use

Function

Origin-set, Zero-setting, Power On/Off, Data output, inch/mm conversion (on inch/metric models only)
 Alarm: Low voltage, Counting value composition error

Optional Accessories

- 959143:** Data hold unit
- 959149:** SPC cable with data switch (40" / 1m)
- 959150:** SPC cable with data switch (80" / 2m)

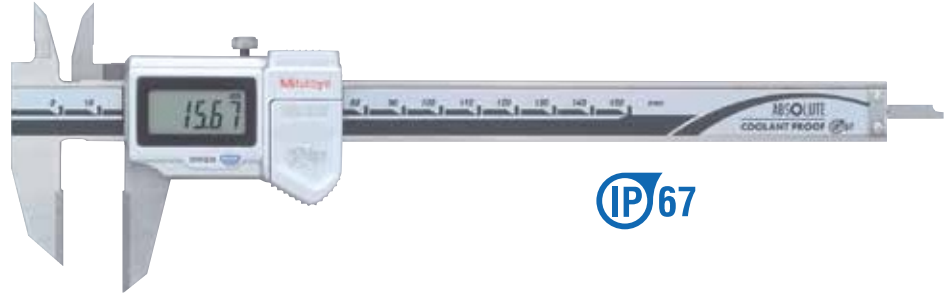


Scribing Caliper

SERIES 573, 536 — ABSOLUTE Digimatic and Vernier Type

FEATURES

- The carbide-tipped jaws facilitate fine scribing on workpiece.
- With depth bar.
- With SPC data output. (Series 573)
- Supplied in fitted plastic case.



Technical Data

Accuracy: Refer to the list of specifications
 Display: LCD
 Length standard: ABSOLUTE electrostatic capacitance type linear encoder
 Max. response speed: Unlimited
 Battery: SR44 (1 pc.), **938882**
 Battery life: Approx. 3.5 years under normal use

Function

Origin-set, Zero-setting, Power On/Off, Data output, inch/mm conversion (on inch/metric models only)
 Alarm: Low voltage, Counting value composition error

Optional Accessories

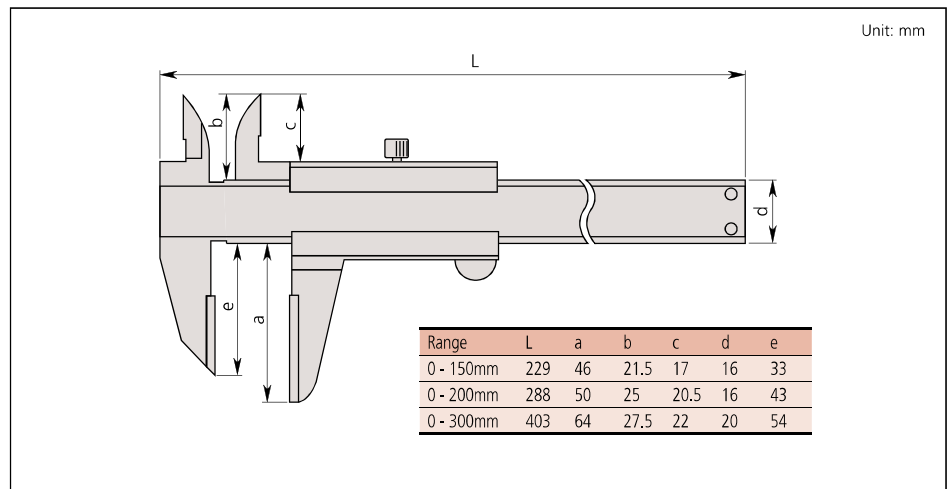
05CZA624: SPC cable with data switch (40" / 1m)
05CZA625: SPC cable with data switch (80" / 2m)

SPECIFICATIONS

Metric		Digital model			
Range	Order No.	Accuracy	Resolution	Mass (g)	
0 - 150mm	573-676-20	±0.02mm	0.01mm	166	
0 - 200mm	573-677-20	±0.02mm	0.01mm	196	
0 - 300mm	573-679	±0.03mm	0.01mm	345	

Metric		Vernier type			
Range	Order No.	Accuracy	Graduation	Mass (g)	
0 - 150mm	536-221	±0.05mm	0.05mm	150	
0 - 200mm	536-222	±0.05mm	0.05mm	180	
0 - 300mm	536-223	±0.08mm	0.05mm	355	

DIMENSIONS



ABSOLUTE Inside Caliper

SERIES 573, 536 — Knife-edge/Inside Groove/Point-Jaw Type



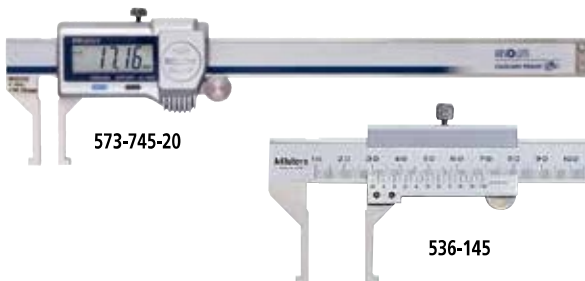
FEATURES

- Specially designed for inside measurements in hard-to-reach places.
- With SPC data output. (Series 573)
- Supplied in fitted plastic case. 18" / 450mm and 24" / 600mm supplied in wooden case.

Knife-edge type



Inside-groove type



Point-jaw type



SPECIFICATIONS

Metric		Digital model			
Range	Order No.	Accuracy	Remarks	Mass (g)	
10 - 200mm	573-642-20	±0.05mm	Knife-edge type, Measurable min. hole diameter: ø10mm	227	
10 - 160mm	573-645-20	±0.05mm	Inside-groove type, Measurable min. hole diameter: ø10mm	147	
20 - 170mm	573-646-20	±0.03mm	Point-jaw type, Measurable min. hole diameter: ø20mm	157	

Inch/Metric		Digital model			
Range	Order No.	Accuracy	Remarks	Mass (g)	
.4" - 8" / 10-200mm	573-742-20	±.002"	Knife-edge type, Measurable min. hole diameter: ø.4"	227	
.4" - 6" / 10-150mm	573-745-20	±.002"	Inside-groove type, Measurable min. hole diameter: ø.4"	147	
.8" - 6" / 20-150mm	573-746-20	±.0015"	Point-jaw type, Measurable min. hole diameter: ø.8"	157	

Metric		Analog model			
Range	Order No.	Accuracy	Remarks	Mass (g)	
10 - 200mm	536-142	±0.12mm	Knife-edge type, Measurable min. hole diameter: ø10mm	210	
10 - 150mm	536-145	±0.05mm	Inside groove type, Measurable min. hole diameter: ø10mm	130	
20 - 150mm	536-146	±0.05mm	Point jaw type, Measurable min. hole diameter: ø20mm	140	
30 - 300mm	536-147	±0.08mm	Point jaw type, Measurable min. hole diameter: ø30mm	370	
70 - 450mm	536-148	±0.10mm	Point jaw type, Measurable min. hole diameter: ø70mm	1,250	
70 - 600mm	536-149	±0.12mm	Point jaw type, Measurable min. hole diameter: ø70mm	1,430	



Technical Data

Accuracy: Refer to the list of specifications
 Resolution*: .0005"/0.01mm / 0.01mm
 Graduation*: 0.05mm
 Display*: LCD
 Length standard*: ABSOLUTE electrostatic capacitance type linear encoder
 Max. response speed*: Unlimited
 Battery*: SR44 (1 pc.), **938882**
 Battery life*: Approx. 3.5 years under normal use
 *Digital models **Analog models

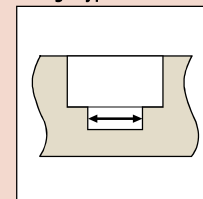
Function of Digital Model

Origin-set, Zero-setting, Power On/Off, Data output, inch/mm conversion (on inch/metric models only)
 Alarm: Low voltage, Counting value composition error

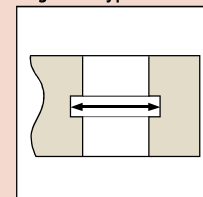
Optional Accessories for Digital Model

05CZA624: SPC cable with data switch (40" / 1m)
05CZA625: SPC cable with data switch (80" / 2m)

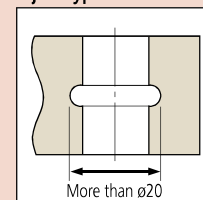
Knife-edge type



Inside groove type



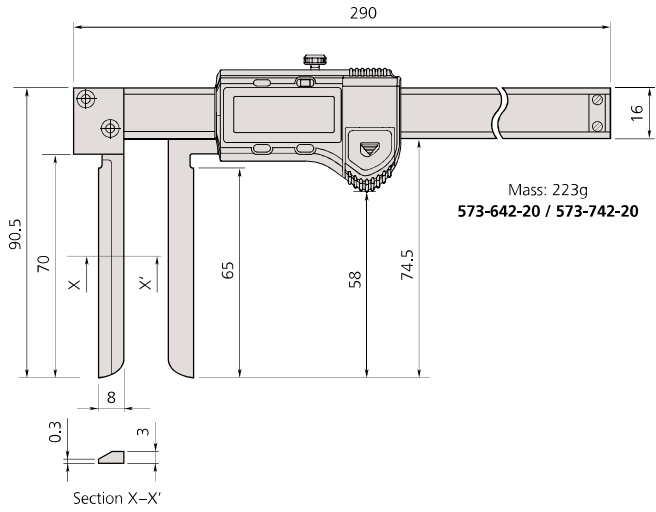
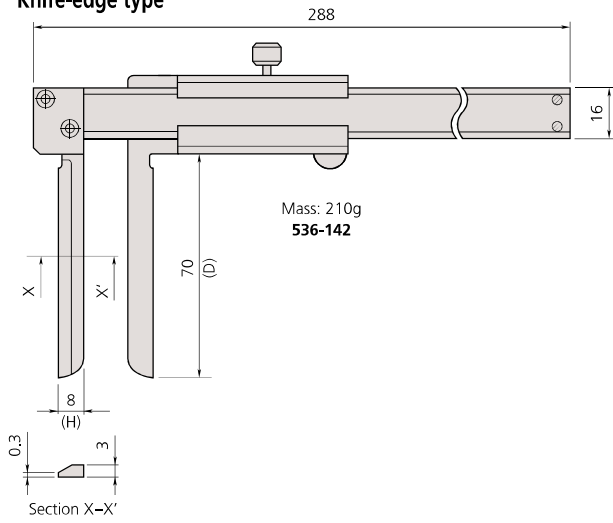
Point jaw type



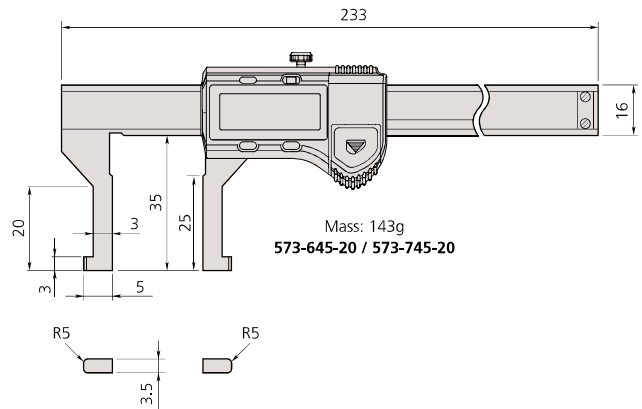
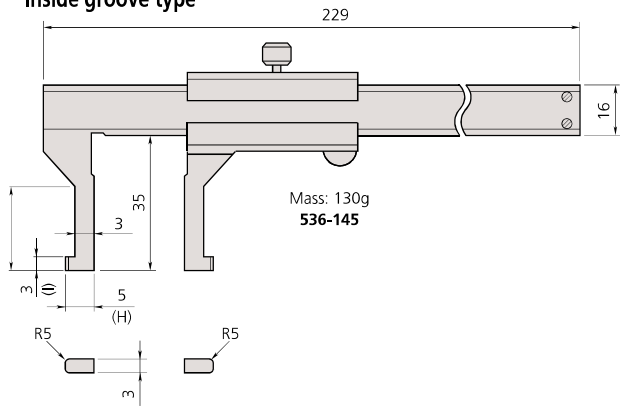
DIMENSIONS AND MASS

Unit: mm

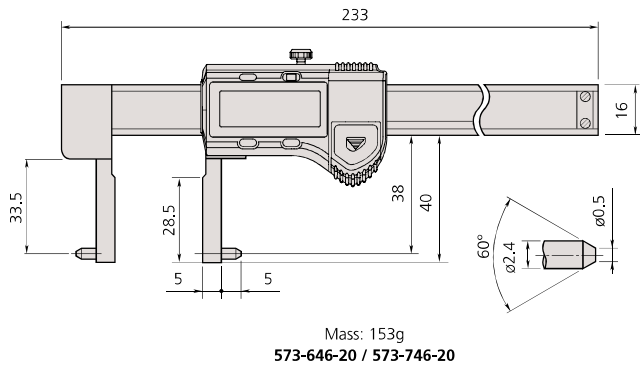
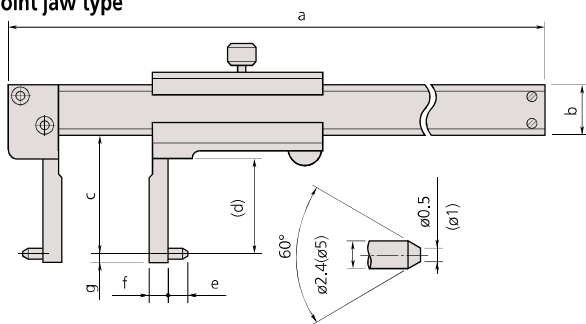
Knife-edge type



Inside groove type



Point jaw type



Order No.	Range	a	b	c	d	e	f	g	Mass (g)
536-146	150mm	229	16	38	31	5	5	2	140
536-147	300mm	403	20	98	89	5	10	2	370
536-148	450mm	610	25	145	136	10	25	5	1,250
536-149	600mm	750	25	145	136	10	25	5	1,430