

# Digimatic Carbon-Fiber Caliper

**SERIES 552 — with Optional Jaw Attachments**

**ABSOLUTE<sup>®</sup>**  
Absolute System Patented by MITUTOYO

## FEATURES

- Lightweight Digimatic Calipers employ CFRP (Carbon-Fiber Reinforced Plastics) in the beam and jaws.
- Highly durable and easy to handle.
- The range of applications can be expanded by using the optional attachments.
- Direct readout of ID measurements from the LCD. (Offset value can be set easily by pressing the Offset key.)
- Preset function for setting a desired starting point.
- With SPC data output.
- Special model available with ceramic jaws which are suitable for measuring abrasive and magnetic products.
- Supplied in fitted wooden case.

**SPC**

**IP66**

## Technical Data

Accuracy: Refer to the list of specifications  
Resolution: .0005"/0.01mm or 0.01mm  
Display: LCD  
Length standard: Electrostatic capacitance type linear encoder  
Max. response speed: unlimited  
Battery: SR44 (1 pc.), **938882**  
Battery life: Approx. 3,000 hours in continuous use



## SPECIFICATIONS

### Metric

Range*	Order No.	Accuracy	Resolution	Remarks
0(20)-450mm	<b>552-302-10</b>	+/-0.04mm	0.01mm	
0(20)-450mm	<b>552-150-10</b>	+/-0.06mm	0.01mm	long jaws 200mm
0(20)-450mm	<b>552-155-10</b>	+/-0.04mm	0.01mm	ceramic jaws
0(20)-600mm	<b>552-303-10</b>	+/-0.04mm	0.01mm	
0(20)-600mm	<b>552-151-10</b>	+/-0.06mm	0.01mm	long jaws 200mm
0(20)-600mm	<b>552-156-10</b>	+/-0.04mm	0.01mm	ceramic jaws
0(20)-1000mm	<b>552-304-10</b>	+/-0.05mm	0.01mm	
0(20)-1000mm	<b>552-152-10</b>	+/-0.07mm	0.01mm	long jaws 200mm
0(20)-1500mm	<b>552-305-10</b>	+/-0.09mm	0.01mm	
0(20)-1500mm	<b>552-153-10</b>	+/-0.11mm	0.01mm	long jaws 200mm
0(20)-2000mm	<b>552-306-10</b>	+/-0.12mm	0.01mm	
0(20)-2000mm	<b>552-154-10</b>	+/-0.14mm	0.01mm	long jaws 200mm

\*( ): Minimum dimension in ID measurement

### Inch/Metric

Range*	Order No.	Accuracy	Resolution	Remarks
0(.5")-18"	<b>552-312-10</b>	+/- .002"	.0005"/0.01mm	
0(.5")-18"	<b>552-160-10</b>	+/- .0025"	.0005"/0.01mm	long jaws 7.9"
0(.5")-18"	<b>552-165-10</b>	+/- .002"	.0005"/0.01mm	ceramic jaws
0(.5")-24"	<b>552-313-10</b>	+/- .002"	.0005"/0.01mm	
0(.5")-24"	<b>552-161-10</b>	+/- .0025"	.0005"/0.01mm	long jaws 7.9"
0(.5")-24"	<b>552-166-10</b>	+/- .002"	.0005"/0.01mm	ceramic jaws
0(1")-40"	<b>552-314-10</b>	+/- .002"	.0005"/0.01mm	
0(1")-40"	<b>552-162-10</b>	+/- .003"	.0005"/0.01mm	long jaws 7.9"
0(1")-60"	<b>552-315-10</b>	+/- .004"	.0005"/0.01mm	
0(1")-60"	<b>552-163-10</b>	+/- .0045"	.0005"/0.01mm	long jaws 7.9"
0(1")-80"	<b>552-316-10</b>	+/- .005"	.0005"/0.01mm	
0(1")-80"	<b>552-164-10</b>	+/- .0055"	.0005"/0.01mm	long jaws 7.9"

\*( ): Minimum dimension in ID measurement

## Function

Origin-set, Zero-setting, Presetting, Offsetting, Data hold, Data output, inch/mm conversion (on inch/metric models only)  
Alarm: Low voltage, Counting value composition error

## Optional Accessories

**05CZA624:** SPC cable with data switch (40"/1m)  
**05CZA625:** SPC cable with data switch (80"/2m)

- 914055:\*** Centerline attachments (mm)
- 914056:\*** Centerline attachments (inch)
- 914057:\*** Pointed ID measuring attachments (mm)
- 914058:\*** Pointed ID measuring attachments (inch)
- 914053:\*\*** Attachment clamps (for models up to 24" / 600mm range)
- 914054:\*\*** Attachment clamps (for models over 24" / 600mm range)

\* Attachment clamps are required  
\*\* Attachment clamps and attachments are not available for long jaw type calipers

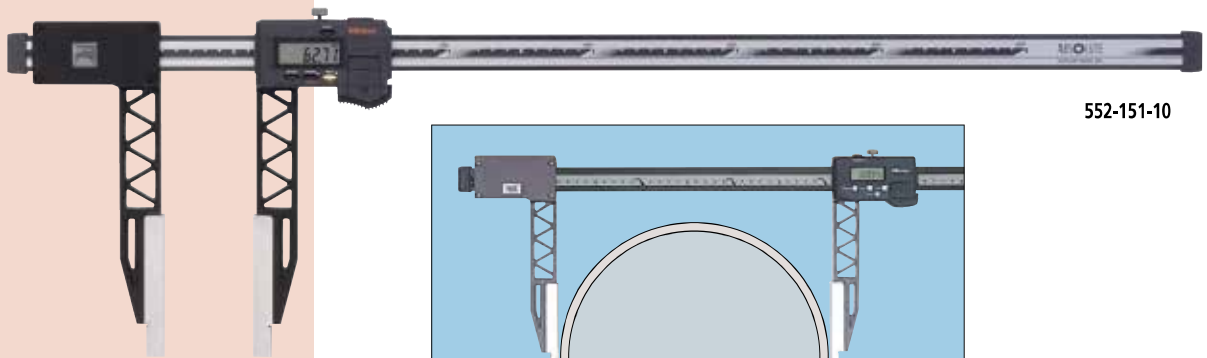


Centerline Attachments

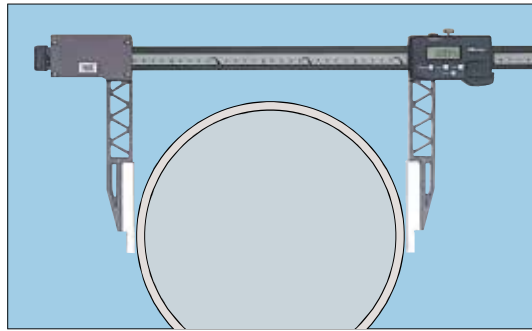
Pointed ID Measuring Attachments



Attachment Clamps



552-151-10



Ceramic jaws

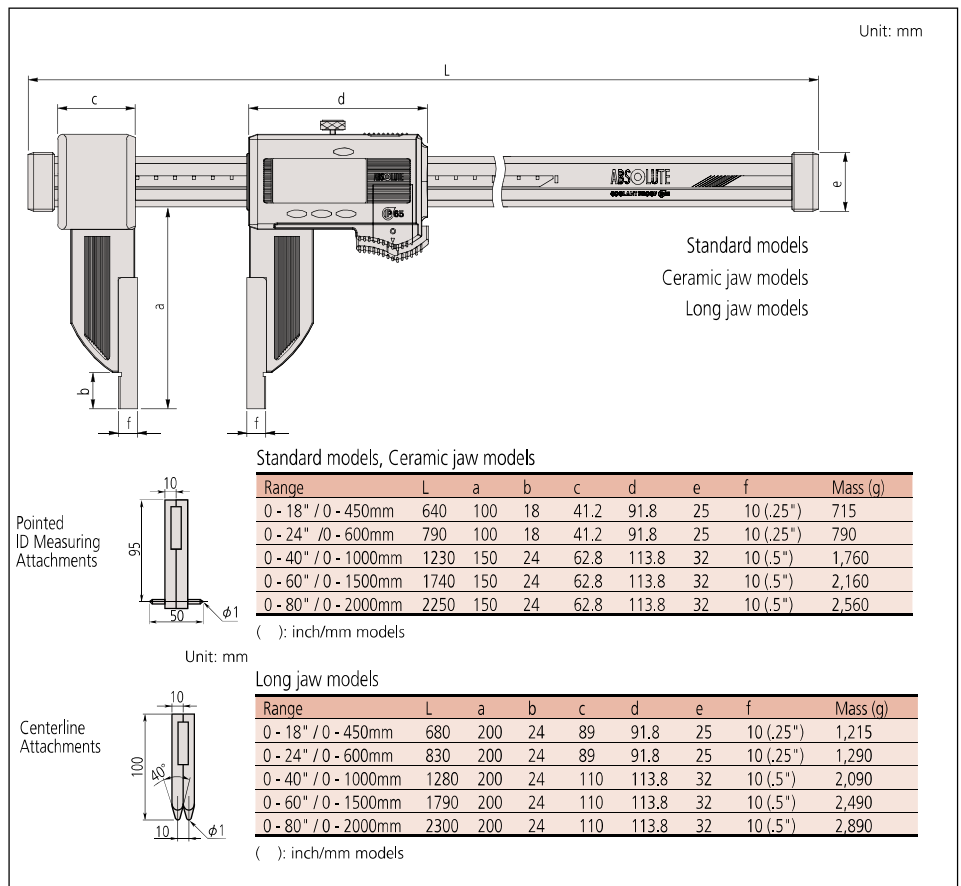


Centerline attachments



ID point attachments

## DIMENSIONS AND MASS

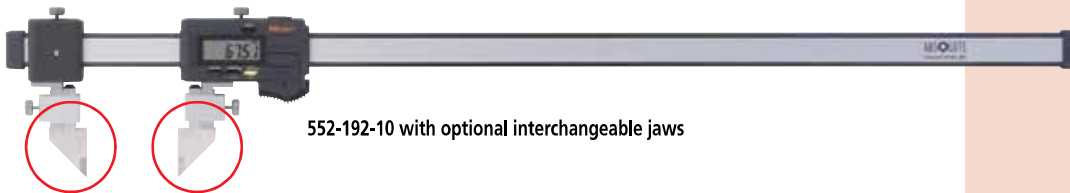


# ABSOLUTE Coolant-Proof Carbon-Fiber Caliper

## SERIES 552 — with Interchangeable Jaws

### FEATURES

- The range of applications can be expanded by using interchangeable jaws (optional).
- Quick and easy change of jaws due to the unique clamping mechanism. (A pair of clamping wheels is a standard accessory.)
- Provided with preset function for setting a desired starting point, which allows direct readout of offset measurements.
- SPC data output.



552-192-10 with optional interchangeable jaws

### SPECIFICATIONS

#### Inch/Metric

Range	Order No.	Accuracy	Mass(g)
0 - 18" / 0 - 450mm	552-191-10	±.002"	650
0 - 24" / 0 - 600mm	552-192-10	±.002"	725
0 - 40" / 0 - 1000mm	552-193-10	±.002"	1480
0 - 60" / 0 - 1500mm	552-194-10	±.004"	1880
0 - 80" / 0 - 2000mm	552-195-10	±.005"	2280

### Interchangeable Jaws (Optional)

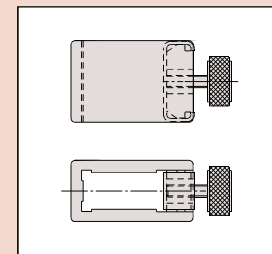
Standard type	Inside point type	Standard Type												
		<table border="1"> <thead> <tr> <th>Order No.</th> <th>Components</th> <th>a</th> <th>b</th> </tr> </thead> <tbody> <tr> <td>07CZA056</td> <td>Right (07CAA044), Left (07CAA045)</td> <td>28mm (1.1")</td> <td>30mm (1.2")</td> </tr> </tbody> </table>	Order No.	Components	a	b	07CZA056	Right (07CAA044), Left (07CAA045)	28mm (1.1")	30mm (1.2")				
Order No.	Components	a	b											
07CZA056	Right (07CAA044), Left (07CAA045)	28mm (1.1")	30mm (1.2")											
		<table border="1"> <thead> <tr> <th>Order No.</th> <th>Components</th> <th>a</th> <th>b</th> </tr> </thead> <tbody> <tr> <td>07CZA058</td> <td>07CZA041 x 2pcs.</td> <td>25mm</td> <td>50mm</td> </tr> <tr> <td>07CZA059</td> <td>07CZA048 x 2pcs.</td> <td>1"</td> <td>2"</td> </tr> </tbody> </table>	Order No.	Components	a	b	07CZA058	07CZA041 x 2pcs.	25mm	50mm	07CZA059	07CZA048 x 2pcs.	1"	2"
Order No.	Components	a	b											
07CZA058	07CZA041 x 2pcs.	25mm	50mm											
07CZA059	07CZA048 x 2pcs.	1"	2"											
		<table border="1"> <thead> <tr> <th>Order No.</th> <th>Components</th> <th>a</th> <th>b</th> </tr> </thead> <tbody> <tr> <td>07CZA055</td> <td>Right (07CZA042), Left (07CZA043)</td> <td>8mm</td> <td>30mm</td> </tr> <tr> <td>07CZA061</td> <td>Right (07CZA042), Left (07CZA049)</td> <td>0.31"</td> <td>1.2"</td> </tr> </tbody> </table>	Order No.	Components	a	b	07CZA055	Right (07CZA042), Left (07CZA043)	8mm	30mm	07CZA061	Right (07CZA042), Left (07CZA049)	0.31"	1.2"
Order No.	Components	a	b											
07CZA055	Right (07CZA042), Left (07CZA043)	8mm	30mm											
07CZA061	Right (07CZA042), Left (07CZA049)	0.31"	1.2"											
		<table border="1"> <thead> <tr> <th>Order No.</th> <th>a</th> <th>b</th> </tr> </thead> <tbody> <tr> <td>07CZA044</td> <td>3.5" / 90mm</td> <td>1.1" / 28mm</td> </tr> </tbody> </table>	Order No.	a	b	07CZA044	3.5" / 90mm	1.1" / 28mm						
Order No.	a	b												
07CZA044	3.5" / 90mm	1.1" / 28mm												
		<table border="1"> <thead> <tr> <th>Order No.</th> <th>Components</th> <th>a</th> <th>b</th> </tr> </thead> <tbody> <tr> <td>07CZA057</td> <td>07CZA039 x 2pcs.</td> <td>30mm</td> <td>30mm</td> </tr> <tr> <td>07CZA060</td> <td>07CZA047 x 2pcs.</td> <td>1.2"</td> <td>1.2"</td> </tr> </tbody> </table>	Order No.	Components	a	b	07CZA057	07CZA039 x 2pcs.	30mm	30mm	07CZA060	07CZA047 x 2pcs.	1.2"	1.2"
Order No.	Components	a	b											
07CZA057	07CZA039 x 2pcs.	30mm	30mm											
07CZA060	07CZA047 x 2pcs.	1.2"	1.2"											

Unit: mm



### Technical Data

Accuracy: Refer to the list of specifications  
 Resolution: .0005"/0.01mm  
 Display: LCD  
 Scale type: ABSOLUTE electromagnetic linear encoder  
 Max. response speed: Unlimited  
 Battery: SR44 (1 pc.), 938882  
 Battery life: Approx. 5,000 hours in continuous use  
 Dust/Water protection level: IP66  
 Standard accessory: Jaw clamps (2 pcs.), 05GZA033



### Functions

Origin-set, Zero-setting, Presetting, Offsetting, Data hold,  
 Automatic power on/off, Data output, inch/mm conversion  
 (inch/mm models)  
 Alarm: Low voltage, Counting value composition error

### Optional Accessories

05CZA624: SPC cable with data switch (40" / 1m)  
 05CZA625: SPC cable with data switch (80" / 2m)

