

Vernier Height Gage

SERIES 514 — Standard Height Gage with Adjustable Main Scale

FEATURES

- Zero reference point can be adjusted.
- Stain chrome finished scales for glare-free reading.
- Extra-large base for rigidity.
- Optional magnifier for easier reading
- Carbide-tipped scriber is provided.



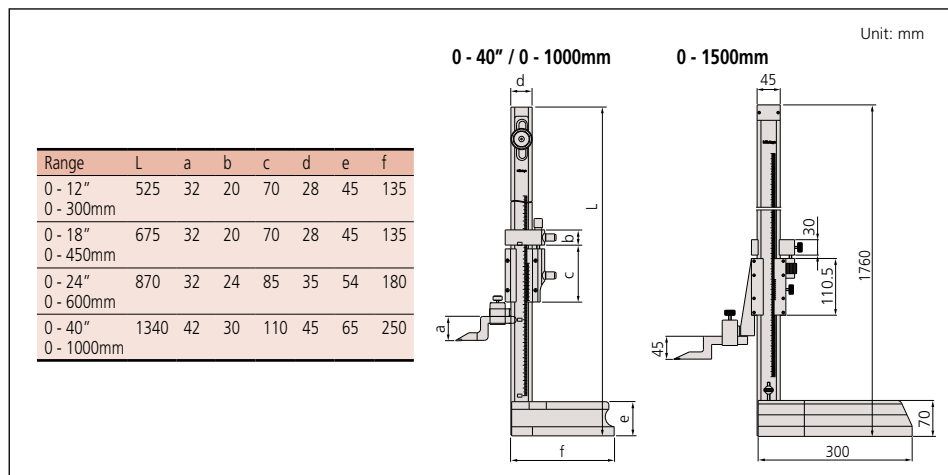
SPECIFICATIONS

Metric				
Range	Order No.	Accuracy	Graduation	Mass (kg)
0 - 300mm	514-102	±0.04mm	0.02mm	3.1
0 - 450mm	514-104	±0.05mm	0.02mm	3.4
0 - 600mm	514-106	±0.05mm	0.02mm	7.4
0 - 1000mm	514-108	±0.07mm	0.02mm	20.0
0 - 1500mm	514-170	±0.18mm	0.02mm	26.0

Inch/Metric — Inch model with inch/metric dual scale

Range	Order No.	Accuracy	Graduation	Mass (kg)
0 - 12" / 0 - 300mm	514-103	±.002"	.001" / 0.02mm	3.1
0 - 18" / 0 - 450mm	514-105	±.002"	.001" / 0.02mm	3.4
0 - 24" / 0 - 600mm	514-107	±.002"	.001" / 0.02mm	7.4
0 - 40" / 0 - 1000mm	514-109	±.003"	.001" / 0.02mm	20.0

DIMENSIONS



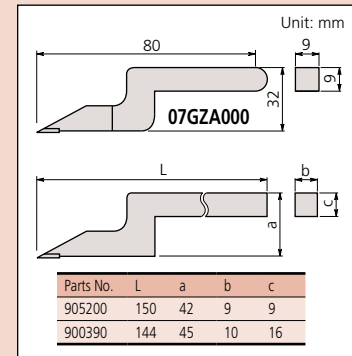
Technical Data

Main scale adjustment: 15mm or 25mm
Slider fine feed: 4mm, 6mm, 7mm or 20mm

Standard Scriber Provided

- Up to 600mm: Carbide-tipped scriber (**07GZA000**) and scriber clamp (**05GZA033**)
- 0 - 1000mm: Carbide-tipped scriber (**905200**) and scriber clamp (**05GZA033**)
- 0 - 1500mm: Carbide-tipped scriber (**900390**) and scriber clamp (**905008**)

Dimension of scriber



Optional Accessories

- 07GZA003:** Magnifier for 300, 450mm, 600mm models
- 07GZA015:** Magnifier for 1000mm and 1500mm models
- 953638:** Holding bar for test indicator (length: 50mm)
- 902053:** Swivel clamp used with holding bar

