

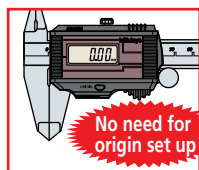
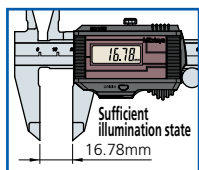
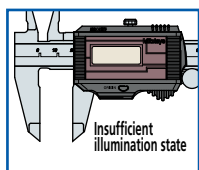
Super Caliper—Solar Powered

SERIES 500 — No battery or origin reset needed for IP67 Digital Caliper



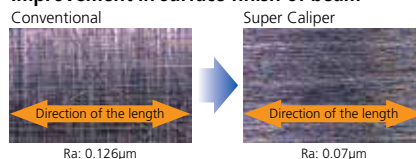
FEATURES

- With no annoying origin restoration necessary, a measurement can be started at any time and without restrictions on operating speed.



- This unique* eco-friendly solar-powered Super Caliper requires no battery.
*According to Mitutoyo investigation in January, 2005
- The impact resistance of the display unit has been increased for improved usability in workshop conditions.
- IP67 protection ensures waterproof reliability.
- This Super Caliper uses components that do not contain harmful substances and is compatible with RoHS Directives.
- Supplied in fitted plastic case.

Improvement in surface finish of beam



500-784

SPECIFICATIONS

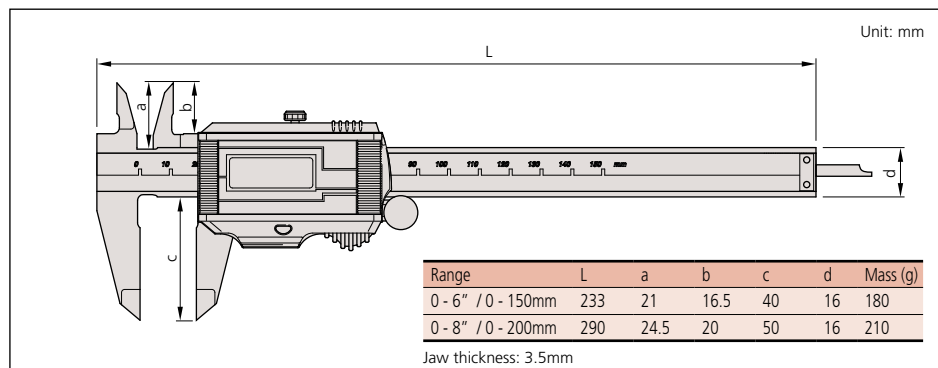
Metric			
Range	Order No.	Accuracy	Resolution
0 - 150mm	500-776	±0.02mm	0.01mm
0 - 150mm	500-774*	±0.02mm	0.01mm
0 - 200mm	500-777	±0.02mm	0.01mm
0 - 200mm	500-775*	±0.02mm	0.01mm

*Without SPC data output

Inch/Metric			
Range	Order No.	Accuracy	Resolution
0 - 6" / 0 - 150mm	500-786	±.001"	.0005" / 0.01mm
0 - 6" / 0 - 150mm	500-784*	±.001"	.0005" / 0.01mm
0 - 8" / 0 - 200mm	500-787	±.001"	.0005" / 0.01mm
0 - 8" / 0 - 200mm	500-785*	±.001"	.0005" / 0.01mm

*Without SPC data output

DIMENSIONS AND MASS



Range	L	a	b	c	d	Mass (g)
0 - 6" / 0 - 150mm	233	21	16.5	40	16	180
0 - 8" / 0 - 200mm	290	24.5	20	50	16	210

Jaw thickness: 3.5mm



Technical Data

Accuracy: Refer to the list of specifications
 Resolution: .0005" / 0.01mm or 0.01mm
 Repeatability: .0005" / 0.01mm
 Display: LCD
 Length standard: ABSOLUTE electromagnetic induction linear encoder
 Max. response speed: Unlimited
 Battery: Solar cell*
 Dust/Water protection level: IP67
 *Can be used continuously above 60 lux ambient illumination.

Function

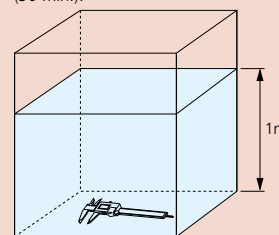
Origin-set, inch/mm conversion (on inch/metric models only)
 Alarm: Counting value composition error

Optional Accessories

- 05CZA624:** SPC cable with data switch (40" / 1m)
- 05CZA625:** SPC cable with data switch (80" / 2m)

IP67 protection level

- Level 6: Dust-tight
No ingress of dust.
- Level 7: Protected against the effects of temporary immersion in water.
Ingress of water in quantities causing harmful effects shall not be possible when the enclosure is temporarily immersed 1 meter in water under standardized conditions of pressure and time (30 min.).



About the charge function (Super Caliper)

The minimum illumination required in the uncharged state is 60 lux. As shown in the table, JIS Z 9110 Artificial Illumination Intensity Standard, this Super Caliper can be used without problems in a normal work environment.

The charge function allows the operator to use this Super Caliper without interrupting work even if the ambient illumination is temporarily insufficient.

- In the fully charged state, this Super Caliper can operate for approximately an hour in an environment of 50lux illumination (less than the minimum necessary illumination intensity).
- The time necessary for full charge differs, depending on the charging conditions. If this Super Caliper is left unused in an illumination of 500 lux (usual for manufacturing environments), it takes approximately one hour to reach full charge.

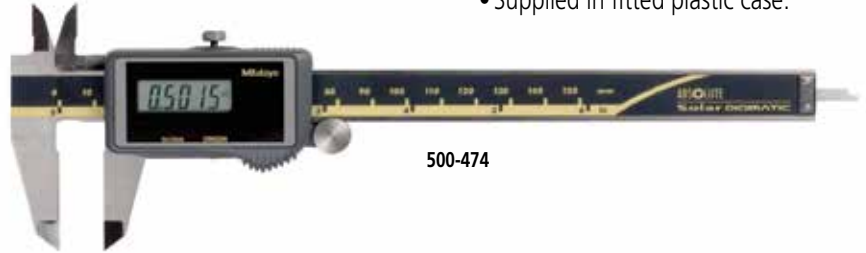
ABSOLUTE Solar Caliper

SERIES 500 — No battery or origin reset needed

Mitutoyo's Absolute Solar Digimatic Caliper retains its origin point for the entire life of the caliper, even the display turns off. At 60 Lux and higher, the ABSOLUTE solar caliper is turned on ready to start measurement.

FEATURES

- No more repeated zero setting caused by low-light intensity.
- Hard-coated solar panel for increased durability.
- No fear for overspeed errors.
- With thumb roller.
- Supplied in fitted plastic case.



500-474

Technical Data

Accuracy: Refer to the list of specifications
 Resolution: .0005"/0.01mm or 0.01mm
 Repeatability: .0005" / 0.01mm
 Display: LCD
 Length standard: ABSOLUTE electrostatic capacitance type linear encoder
 Max. response speed: Unlimited
 Battery: Solar cell*
 *Can be used continuously above 60 lux ambient illumination.

Function

Origin-set, Data hold, Data output, inch/mm conversion (on inch/metric models only)
 Alarm: Counting value composition error

Optional Accessories

- 959143:** Data hold unit (SPC output model only)
- 959149:** SPC cable with data switch (40" / 1m)
- 959150:** SPC cable with data switch (80" / 2m)

SPECIFICATIONS

Metric

Range	Order No.	Accuracy	Resolution	Remarks
0 - 100mm	500-443	±0.02mm	0.01mm	ø1.9mm round depth bar
0 - 100mm	500-453*	±0.02mm	0.01mm	ø1.9mm round depth bar
0 - 150mm	500-444	±0.02mm	0.01mm	
0 - 150mm	500-454*	±0.02mm	0.01mm	
0 - 200mm	500-445	±0.02mm	0.01mm	
0 - 200mm	500-455*	±0.02mm	0.01mm	

*without SPC data output

Inch/Metric

Range	Order No.	Accuracy	Resolution	Remarks
0 - 4" / 0 - 100mm	500-463	±.001"	.0005" / 0.01mm	.075" round depth bar
0 - 4" / 0 - 100mm	500-473*	±.001"	.0005" / 0.01mm	.075" round depth bar
0 - 6" / 0 - 150mm	500-464	±.001"	.0005" / 0.01mm	
0 - 6" / 0 - 150mm	500-474*	±.001"	.0005" / 0.01mm	
0 - 8" / 0 - 200mm	500-465	±.001"	.0005" / 0.01mm	
0 - 8" / 0 - 200mm	500-475*	±.001"	.0005" / 0.01mm	

*without SPC data output

DIMENSIONS AND MASS

Unit: mm

Range	L	a	b	c	Mass (g)
0 - 4" / 0 - 100mm	182	40	21	16.5	125
0 - 6" / 0 - 150mm	233	40	21	16.5	150
0 - 8" / 0 - 200mm	290	50	24.5	20	180

ABSOLUTE Coolant-Proof Caliper

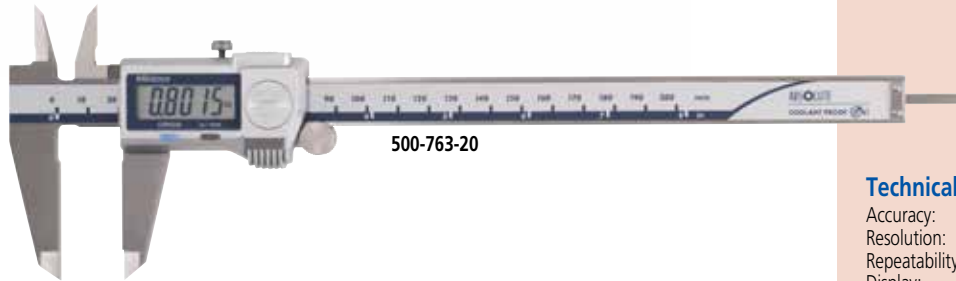
SERIES 500 — with Dust/Water Protection Conforming to IP67 Level

FEATURES

- Can be used in workshop conditions exposed to coolant, water, dust or oil.
- Easy to use - no need to wipe or clean the scale.
- Advanced design.
- Character height increased from 7.4mm to 9.0mm for improved readability.
- Redesigned battery cover eliminates the need for a screwdriver.
- Incorporates absolute measurement system.
- Automatic power-on/off.
- Data output function.
- With thumb roller.
- Supplied in fitted plastic case.



500-752-20



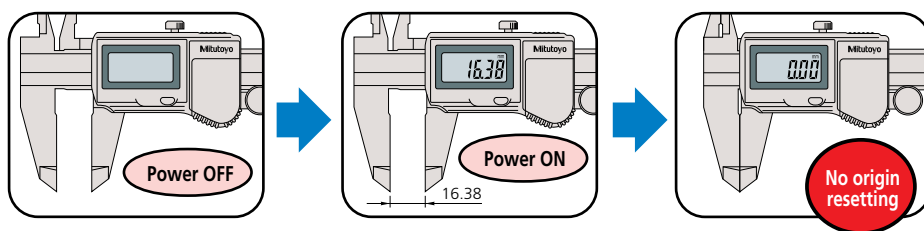
500-763-20

COOLANT PROOF™ IP67

COOLANT PROOF is the universal term of Mitutoyo Digimatic Small Tool Instruments that are free from measurement error and physical deterioration due to routine exposure to water, cutting oil or coolant. This high performance is achieved by using encoders that are inherently immune to contamination, where exposure is inevitable, combined with comprehensive sealing techniques and extremely oil-resistant materials to guarantee a long working life under normal operating conditions.



Built-in ABS (absolute) scale means that these calipers are ready to use immediately after power-on without origin resetting. It's as easy as vernier caliper measurements.



Certificate of inspection

CERTIFICATE OF INSPECTION / CERTIFICAT DE CONTROLE		Inspection result/Résultats			(GR)(P)
Product name/Désignation	Digimatic Caliper/Pied à coulisse Digimatic	Measuring length / Position de mesure	Permissible values / Erreur admissible	Instrumental error/Erreur	Interval/Intervalle
Model No./Modèle	CD-15PB	∅ 4	+0.01	---	-0.01
Code No./Référence	500-752	60	0.00	0.00	0.01
Serial No./No. de série	0478911	100	±0.02	-0.01	0.00
Measuring range/Capacité de mesure	0-150mm	150	---	-0.01	0.00
Minimum indication/Résolution	0.01mm	200	---	---	---
Standard Temperature / Température de Référence	20°C	∅ 0.16	+0.0005	---	---
QC Manager/Responsable Qualité Contrôle	<i>g. g. g.</i>		-0.0015	---	---
Inspection standard / Mitutoyo standard		0	---	---	---
Based on / Basé sur	JIS B 7507:1995 and JIS B 7506	2	---	---	---
Traceable to / Traçable à	NMI/NIST by JCSIR No.2030/NIST via 821098034.03	4	±0.0010	---	---
PTB via 3785-PTB 02-4340-PTB 03		6	---	---	---
		8	---	---	---
					Unit:mm / Unité:mm
					Unit:inch / Unité:inch
					Overall Judgment: Passed / Passé Conformité: conforme

Mitutoyo Corporation



Technical Data

Accuracy: Refer to the list of specifications
 Resolution: .0005"/0.01mm or 0.01mm
 Repeatability: .0005" / 0.01mm
 Display: LCD
 Length standard: ABSOLUTE electromagnetic induction linear encoder
 Max. response speed: Unlimited
 Battery: SR44 (1 pc./2 pcs*), **938882**
 Battery life: Approx. 5 years under normal use (1 year: over 12" / 300mm models)
 Dust/Water protection level: IP67
 *0 - 300mm model

Function

Origin-set, Zero-setting, Automatic power on/off, Data output, inch/mm conversion (on inch/metric models only)
 Alarm: Low voltage, Counting value composition error

Optional Accessories

- 05CZA624:** SPC cable with data switch (40" / 1m)
- 05CZA625:** SPC cable with data switch (80" / 2m)



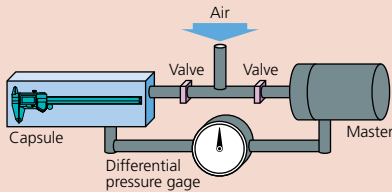
05CZA624



Measurement data output function is available with a water-resistant SPC cable.

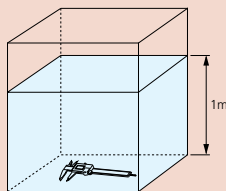
Air leakage detection system used for water-proof testing

Generally, air leakage tests are performed to evaluate water resistance. Testing begins by placing a measuring tool into the capsule. Next, air with equivalent pressure is supplied to the capsule and the master, then the valves are closed. If none of the air in the capsule seeps into the measuring tool, the capsule's air pressure will remain equal to that of the master, and the differential pressure gage will continue to point to the center. However, if some air seeps into the measuring tool, it will create an air pressure difference in the amount indicated by the differential pressure gage. Thus, detection of air pressure differences is used as a criterion for judging leakage. Every single unit of the ABS Coolant Proof calipers and Coolant Proof micrometer is tested this way for air leakage to help ensure product quality.



IP67 protection level

- Level 6: Dust-tight
No ingress of dust.
- Level 7: Protected against the effects of temporary immersion in water.
Ingress of water in quantities causing harmful effects shall not be possible when the enclosure is temporarily immersed 1 meter in water under standardized conditions of pressure and time (30 min.).



SPECIFICATIONS

Metric IP67 model

Range	Order No.	Accuracy	Resolution	Remarks
0-150mm	500-702-20*	+/-0.02mm	0.01mm	
0-150mm	500-712-20	+/-0.02mm	0.01mm	
0-150mm	500-719-20	+/-0.02mm	0.01mm	dia. 1.9mm rod depth bar
0-150mm	500-721-20	+/-0.02mm	0.01mm	carbide-tipped jaws for ID measurement
0-150mm	500-723-20	+/-0.02mm	0.01mm	carbide-tipped jaws for OD & ID measurement
0-200mm	500-703-20*	+/-0.02mm	0.01mm	
0-200mm	500-713-20	+/-0.02mm	0.01mm	
0-200mm	500-722-20	+/-0.02mm	0.01mm	carbide-tipped jaws for ID measurement
0-200mm	500-724-20	+/-0.02mm	0.01mm	carbide-tipped jaws for OD & ID measurement
0-300mm	500-704-10*	+/-0.03mm	0.01mm	
0-300mm	500-714-10	+/-0.03mm	0.01mm	

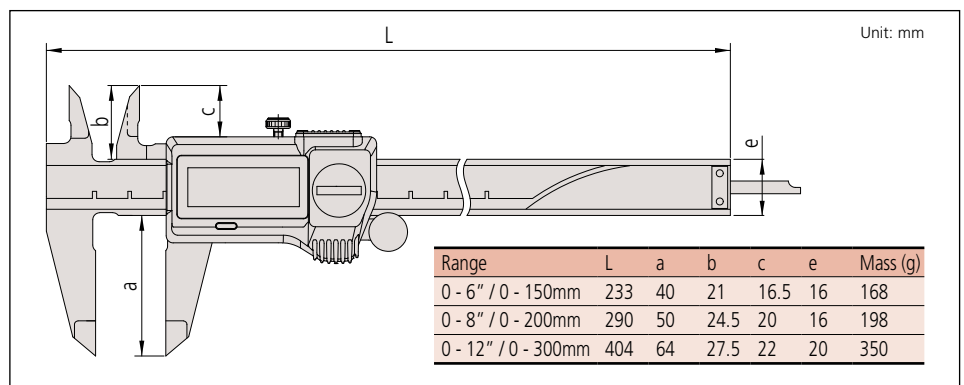
*without SPC data output

Inch/Metric IP67 model

Range	Order No.	Accuracy	Resolution	Remarks
0-6"/0-150mm	500-752-20*	+/- .001"	.0005"/0.01mm	
0-6"/0-150mm	500-762-20	+/- .001"	.0005"/0.01mm	
0-6"/0-150mm	500-768-20*	+/- .001"	.0005"/0.01mm	.075" rod depth bar
0-6"/0-150mm	500-769-20	+/- .001"	.0005"/0.01mm	.075" rod depth bar
0-6"/0-150mm	500-731-20*	+/- .001"	.0005"/0.01mm	carbide-tipped jaws for OD measurement
0-6"/0-150mm	500-735-20	+/- .001"	.0005"/0.01mm	carbide-tipped jaws for OD measurement
0-6"/0-150mm	500-733-20*	+/- .001"	.0005"/0.01mm	carbide-tipped jaws for OD & ID measurement
0-6"/0-150mm	500-737-20	+/- .001"	.0005"/0.01mm	carbide-tipped jaws for OD & ID measurement
0-8"/0-200mm	500-753-20*	+/- .001"	.0005"/0.01mm	
0-8"/0-200mm	500-763-20	+/- .001"	.0005"/0.01mm	
0-8"/0-200mm	500-732-20*	+/- .001"	.0005"/0.01mm	carbide-tipped jaws for OD measurement
0-8"/0-200mm	500-736-20	+/- .001"	.0005"/0.01mm	carbide-tipped jaws for OD measurement
0-8"/0-200mm	500-734-20*	+/- .001"	.0005"/0.01mm	carbide-tipped jaws for OD & ID measurement
0-8"/0-200mm	500-738-20	+/- .001"	.0005"/0.01mm	carbide-tipped jaws for OD & ID measurement
0-12"/0-300mm	500-754-10*	+/- .0015"	.0005"/0.01mm	
0-12"/0-300mm	500-764-10	+/- .0015"	.0005"/0.01mm	

*without SPC data output

DIMENSIONS AND MASS

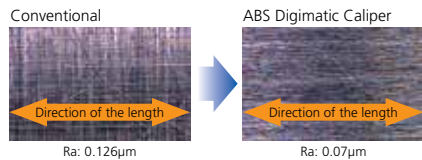


ABSOLUTE Digimatic Caliper

SERIES 500 — with Exclusive ABSOLUTE Encoder Technology

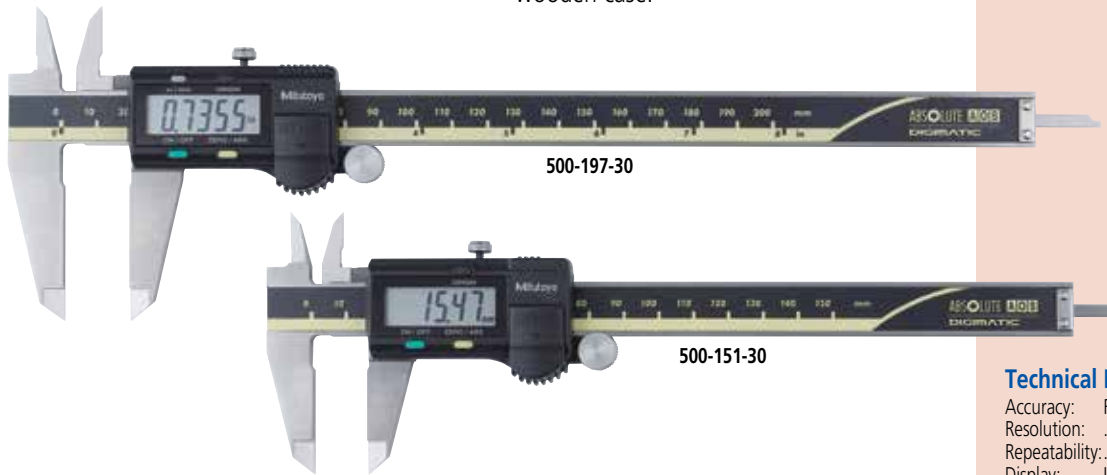
Mitutoyo's absolute Digimatic Caliper is the next generation of electronic calipers. It keeps track of its origin point once set. Whenever turned on, the large LCD displays the actual slider position ready to start measurement. No more repeated zero setting is necessary with the absolute encoder technology, as well as no more concern for overspeed errors.

High-quality guide surface finish for smooth slider movement.



FEATURES

- Large and clear LCD readout.
- The ZERO/ABS key allows the display to be zero-set at any slider position along the scale for incremental comparison measurements. This switch also will allow return to the absolute (ABS) coordinate and display of the true position from the origin point (usually jaws-closed point).
- Data Hold Unit (959143) is optional.
- Carbide-tipped jaw-type calipers are also available.
- Thumb roller included only on calipers up to and including 12" or 300mm.
- Supplied in fitted plastic case. Except 40" / 1000mm supplied in wooden case.



DIMENSIONS AND MASS

Range	L	a	b	c	d	Mass (g)
0 - 4" / 0 - 100mm	182	40	21	16.5	16	143
0 - 6" / 0 - 150mm	233	40	21	16.5	16	168
0 - 8" / 0 - 200mm	290	50	24.5	20	16	198
0 - 12" / 0 - 300mm	403	64	27.5	22	20	350

Range	L	a	b	c	d	Mass (g)
0 - 18" / 0 - 450mm	630	90	47	38	25	1170
0 - 24" / 0 - 600mm	780	90	47	38	25	1350
0 - 40" / 0 - 1000mm	1240	130	61	50	32	3300



The new Mitutoyo ABS Digimatic Caliper line with exclusive AOS sensor technology. The patented Advanced Onsite Sensor (AOS) offers improved measurement dependability by increasing resistance to harsh workshop conditions.

Technical Data

Accuracy: Refer to the list of specifications
 Resolution: .0005"/0.01mm or 0.01mm
 Repeatability: .0005"/0.01mm
 Display: LCD
 Length standard:
 ABSOLUTE electromagnetic induction type linear encoder (200mm and smaller models)
 ABSOLUTE electrostatic capacitance type linear encoder (300mm and larger models)
 Max. response speed: Unlimited
 Battery: SR44 (1 pc.), **938882**
 Battery life: Approx. 3.5 years under normal use

Function

Origin-set, Zero-setting, Data output, inch/mm conversion (on inch/metric models only)
 Alarm: Low voltage, Counting value composition error

Optional Accessories

- 959143:** Data hold unit
- 959149:** SPC cable with data switch (40" / 1m)
- 959150:** SPC cable with data switch (80" / 2m)

959143



959149



500-506-10

500-502-10

500-501-10

500-500-10

SPECIFICATIONS

Metric

Range	Order No.	Accuracy	Resolution	Remarks
0 - 100mm	500-150-30	±0.02mm	0.01mm	ø1.9mm rod depth bar
0 - 150mm	500-151-30	±0.02mm	0.01mm	—
0 - 150mm	500-154-30	±0.02mm	0.01mm	Carbide-tipped jaws for OD measurement
0 - 150mm	500-155-30	±0.02mm	0.01mm	Carbide-tipped jaws for OD & ID measurement
0 - 150mm	500-158-30	±0.02mm	0.01mm	ø1.9mm rod depth bar
0 - 200mm	500-152-30	±0.02mm	0.01mm	—
0 - 200mm	500-156-30	±0.02mm	0.01mm	Carbide-tipped jaws for OD measurement
0 - 200mm	500-157-30	±0.02mm	0.01mm	Carbide-tipped jaws for OD & ID measurement
0 - 300mm	500-153	±0.03mm	0.01mm	—
0 - 450mm	500-500-10	±0.05mm	0.01mm	Without Thumb Roller
0 - 600mm	500-501-10	±0.05mm	0.01mm	Without Thumb Roller
0 - 1000mm	500-502-10	±0.07mm	0.01mm	Without Thumb Roller

Inch/Metric

Range	Order No.	Accuracy	Resolution	Remarks
0 - 4" / 0 - 100mm	500-170-30	±.001"	.0005" / 0.01mm	.075" rod depth bar
0 - 4" / 0 - 100mm	500-195-30*	±.001"	.0005" / 0.01mm	.075" rod depth bar
0 - 6" / 0 - 150mm	500-171-30	±.001"	.0005" / 0.01mm	—
0 - 6" / 0 - 150mm	500-174-30	±.001"	.0005" / 0.01mm	Carbide-tipped jaws for OD measurement
0 - 6" / 0 - 150mm	500-175-30	±.001"	.0005" / 0.01mm	Carbide-tipped jaws for OD & ID measurement
0 - 6" / 0 - 150mm	500-178-30	±.001"	.0005" / 0.01mm	.075" rod depth bar
0 - 6" / 0 - 150mm	500-196-30*	±.001"	.0005" / 0.01mm	—
0 - 6" / 0 - 150mm	500-159-30*	±.001"	.0005" / 0.01mm	Carbide-tipped jaws for OD measurement
0 - 6" / 0 - 150mm	500-160-30*	±.001"	.0005" / 0.01mm	Carbide-tipped jaws for OD & ID measurement
0 - 8" / 0 - 200mm	500-172-30	±.001"	.0005" / 0.01mm	—
0 - 8" / 0 - 200mm	500-176-30	±.001"	.0005" / 0.01mm	Carbide-tipped jaws for OD measurement
0 - 8" / 0 - 200mm	500-177-30	±.001"	.0005" / 0.01mm	Carbide-tipped jaws for OD & ID measurement
0 - 8" / 0 - 200mm	500-197-30*	±.001"	.0005" / 0.01mm	—
0 - 8" / 0 - 200mm	500-163-30*	±.001"	.0005" / 0.01mm	Carbide-tipped jaws for OD measurement
0 - 8" / 0 - 200mm	500-164-30*	±.001"	.0005" / 0.01mm	Carbide-tipped jaws for OD & ID measurement
0 - 12" / 0 - 300mm	500-173	±.0015"	.0005" / 0.01mm	—
0 - 12" / 0 - 300mm	500-167	±.0015"	.0005" / 0.01mm	Carbide-tipped jaws for OD measurement
0 - 12" / 0 - 300mm	500-168	±.0015"	.0005" / 0.01mm	Carbide-tipped jaws for OD & ID measurement
0 - 12" / 0 - 300mm	500-193*	±.0015"	.0005" / 0.01mm	—
0 - 12" / 0 - 300mm	500-165*	±.0015"	.0005" / 0.01mm	Carbide-tipped jaws for OD measurement
0 - 12" / 0 - 300mm	500-166*	±.0015"	.0005" / 0.01mm	Carbide-tipped jaws for OD & ID measurement
0 - 18" / 0 - 450mm	500-505-10	±.002"	.0005" / 0.01mm	Without Thumb Roller
0 - 24" / 0 - 600mm	500-506-10	±.002"	.0005" / 0.01mm	Without Thumb Roller
0 - 40" / 0 - 1000mm	500-507-10	±.003"	.0005" / 0.01mm	Without Thumb Roller

*without SPC data output