

Outside Micrometers

SERIES 406 — Non-Rotating Spindle Type

FEATURES

- With a standard bar except for 0 - 1" / 0 - 25mm model.
- With SPC output.
- Supplied in a fitted plastic case.
- Non-slip grip finish



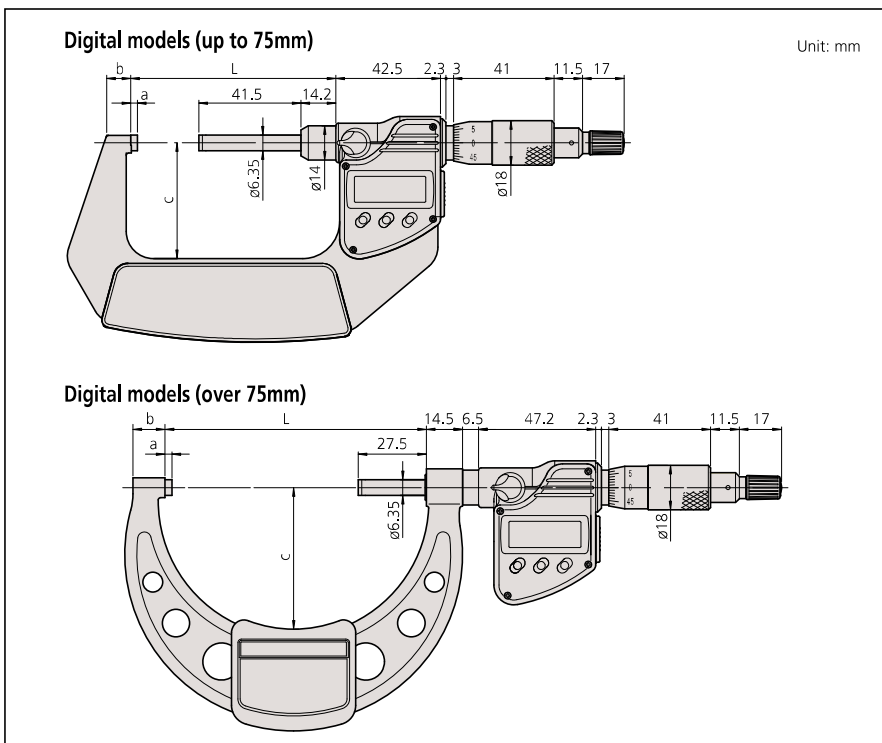
406-350-30

SPECIFICATIONS

Metric		Digital model with ratchet stop	
Range	Resolution	Order No.	Accuracy
0 - 25mm	0.001mm	406-250-30	±3μm
25 - 50mm	0.001mm	406-251-30	±3μm
50 - 75mm	0.001mm	406-252-30	±3μm
75 - 100mm	0.001mm	406-253-30	±4μm

Inch/Metric		Digital model with ratchet stop	
Range	Resolution	Order No.	Accuracy
0 - 1" / 0 - 25.4mm	.00005" / 0.001mm	406-350-30	±.00015"
1 - 2" / 25.4 - 50.8mm	.00005" / 0.001mm	406-351-30	±.00015"
2 - 3" / 50.8 - 72.6mm	.00005" / 0.001mm	406-352-30	±.00015"
3 - 4" / 76.2 - 101.6mm	.00005" / 0.001mm	406-353-30	±.0002"

DIMENSIONS AND MASS



Technical Data

Accuracy: Refer to the list of specifications
 Resolution: .00005"/0.001mm or 0.001mm
 Flatness: 0.3μm / .000012"
 Parallelism: .00012"/3μm for models up to 3"/75mm
 .00016"/4μm for 4"/100mm models
 Measuring faces: Carbide tipped
 Display: LCD
 Battery: SR44 (1 pc.), **938882**
 Battery life: Approx. 2.4 years under normal use

Function of Digital Model

Origin-set, Zero / ABS, Data hold, Data output, inch/mm conversion (on inch/metric models only)
 Function lock
 Alarm: Low voltage, Counting value composition error

Optional Accessories for Digital Model

05CZA662: SPC cable with data switch (40" / 1m)
05CZA663: SPC cable with data switch (80" / 2m)