

# Inside Micrometers

## SERIES 345, 145 — Caliper Type

### FEATURES

- Caliper-type jaws are made of high-grade, tool steel.
- Locking clamp for positive locking of spindle.
- Non-slip grip finish (digital models)
- Satin-chrome finished.
- A special holder is available to be used with Mitutoyo micrometer stand.
- Supplied in fitted plastic case. Over 175mm / 4" supplied in wooden case.



### SPECIFICATIONS

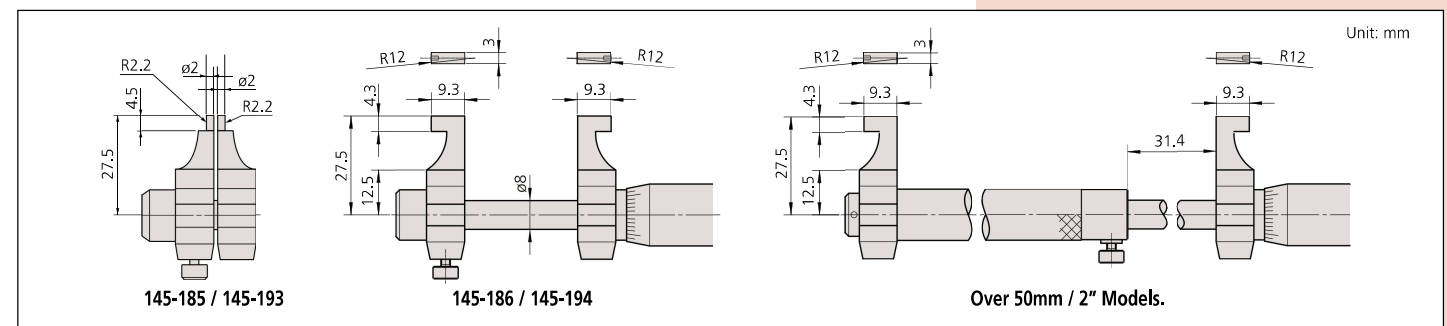
Metric		
Range	Order No.	Accuracy
5 - 30mm	<b>345-250-30</b>	±5µm
25 - 50mm	<b>345-251-30</b>	±6µm

Metric		
Range	Order No.	Accuracy
5 - 30mm	<b>145-185</b>	±5µm
25 - 50mm	<b>145-186</b>	±6µm
50 - 75mm	<b>145-187</b>	±7µm
75 - 100mm	<b>145-188</b>	±8µm
100 - 125mm	<b>145-189</b>	±9µm
125 - 150mm	<b>145-190</b>	±9µm
150 - 175mm	<b>145-191</b>	±10µm
175 - 200mm	<b>145-192</b>	±10µm
200 - 225mm	<b>145-217</b>	±11µm
225 - 250mm	<b>145-218</b>	±11µm
250 - 275mm	<b>145-219</b>	±12µm
275 - 300mm	<b>145-220</b>	±12µm

Inch/Metric Digital model		
Range	Order No.	Accuracy
.2 - 1.2" / 5-30mm	<b>345-350-30</b>	±.00025"
1 - 2" / 25-50mm	<b>345-351-30</b>	±.0003"

Inch		
Range	Order No.	Accuracy
.2 - 1.2"	<b>145-193</b>	±.00025"
1 - 2"	<b>145-194</b>	±.0003"
2 - 3"	<b>145-195</b>	±.00035"
3 - 4"	<b>145-196</b>	±.0004"

### DIMENSIONS



### Technical Data

Accuracy: Refer to the list of specifications.  
(excluding quantizing error for digital models)  
Resolution\*: 0.01mm or .00005"/0.001mm  
Graduation\*\*: 0.01mm or .001"  
Measuring faces: Carbide tipped  
Display\*: LCD  
Battery\*: SR44 (1 pc.), **938882**  
Battery life\*: Approx. 2.4 years under normal use  
\*Digital models \*\*Analog models

### Function of Digital Model

Origin-set, Zero-setting, Data hold, Data output, inch/mm conversion (inch/mm models)  
Function Lock, 2 Presets  
Alarm: Low voltage, Counting value composition error

### Optional Accessories

- 05CZA662**: SPC cable with data switch 1m / 40"
- 05CZA663**: SPC cable with data switch 2m / 80"
- : Setting ring (See page C-29.)
- 300401**: Cap for stand holder
- 300400**: Stand holder

