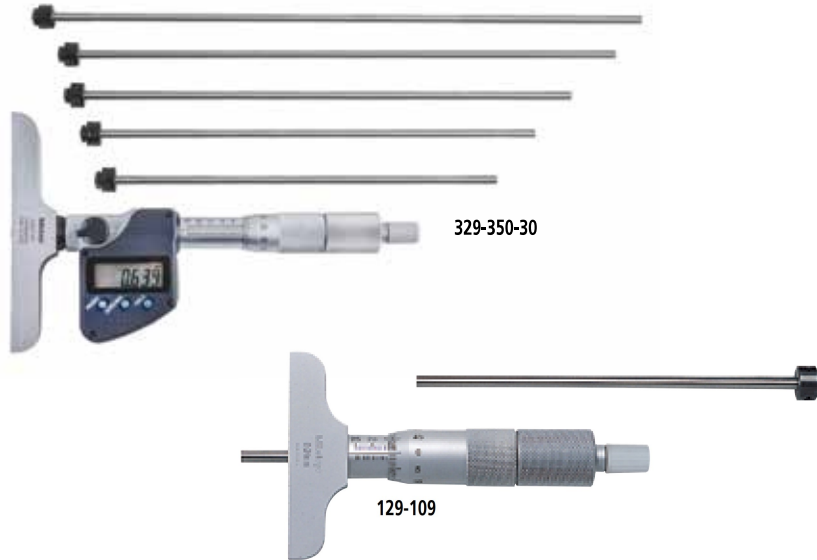


Depth Micrometer

SERIES 329, 129 — Interchangeable Rod Type

FEATURES

- $\varnothing 4\text{mm}$ interchangeable rods, with lapped measuring end, provide a wide measuring range.
- The rod length can be adjusted in 1" or 25mm increments.
- With ratchet stop for constant force.
- With measuring rod clamp.
- With SPC output (Series 329).
- Supplied in fitted plastic case.



SPECIFICATIONS

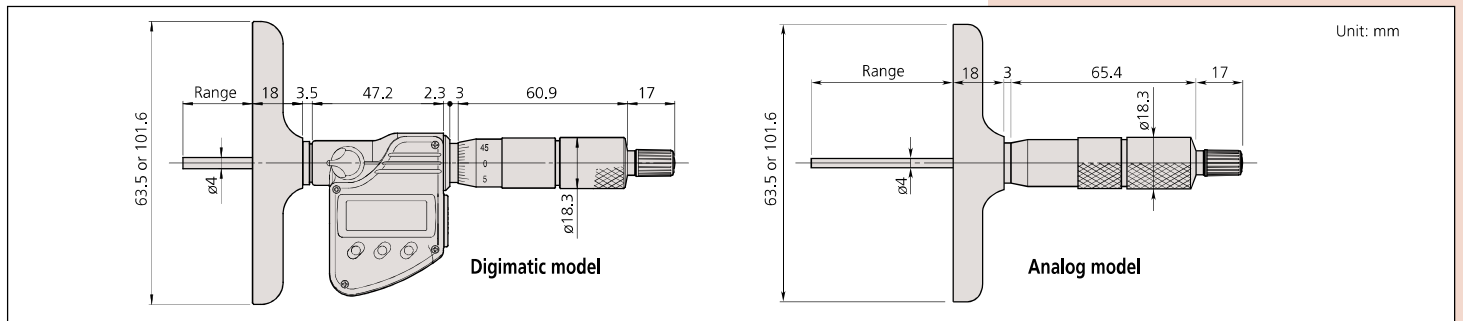
Metric		Digimatic model	
Range	Order No.	Base Size	Rod Qty.
0 - 150mm	329-250-30	101.6x16mm	6 rods
0 - 300mm	329-251-30	101.6x16mm	12 rods

Metric		Digimatic model	
Range	Order No.	Base Size	Rod Qty.
0 - 50mm	129-109	63.5x16mm	2 rods
0 - 100mm	129-111	63.5x16mm	4 rods
0 - 100mm	129-115	101.6x16mm	4 rods
0 - 150mm	129-112	63.5x16mm	6 rods
0 - 150mm	129-116	101.6x16mm	6 rods

Inch/Metric		Digimatic model	
Range	Order No.	Base Size	Rod Qty.
0 - 6" / 0 - 152.4mm	329-350-30	4"x.63"	6 rods
0 - 12" / 0 - 304.8mm	329-351-30	4"x.63"	12 rods

Inch		Digimatic model	
Range	Order No.	Base Size	Rod Qty.
0 - 4"	129-127	2.5"x.63"	4 rods
0 - 4"	129-131	4"x.63"	4 rods
0 - 6"	129-128	2.5"x.63"	6 rods
0 - 6"	129-132	4"x.63"	6 rods
0 - 12"	129-149	2.5"x.63"	12 rods
0 - 12"	129-150	4"x.63"	12 rods

DIMENSIONS



Technical Data

Accuracy: $\pm .00015''/3\mu\text{m}$ for micrometer head feed
 $\pm [.00008 + (.00004 \times R/3)]''$
 $R = \text{max. measuring length (inch)}$
 $\pm (2+L/75)\mu\text{m}$ for interchangeable rod,
 $L = \text{Max. measuring length (mm)}$

Resolution*: $.00005''/0.001\text{mm}$ or 0.001mm
 Graduation**: $.001''$ or 0.01mm

Flatness of reference surface (base):
 $.00005''/1.3\mu\text{m}$ for $2.5''/63.5\text{mm}$ wide base
 $.00008''/2\mu\text{m}$ for $4''/101.6\text{mm}$ wide base

Flatness of measuring face (rod):
 $.000012''/0.3\mu\text{m}$

Parallelism between reference face and measuring rod face:
 $[.00016 + (.00004 \times R/2)]''$
 $R = \text{max. measuring range (inch)}$
 $(4+L/50)\mu\text{m}$
 $L = \text{Max. measuring length (mm)}$

Zero point error of rods:
 $\pm .0002''/4\mu\text{m}$ for $0-6''/0-150\text{mm}$ models
 $\pm .0003''/6\mu\text{m}$ for $0-12''/0-300\text{mm}$ models

Measuring rod diameter: $.157''/4\text{mm}$
 Display*: LCD
 Battery*: SR44 (1 pc.), **938882**
 Battery life*: Approx. 2.4 years under normal use
 *Digital models **Analog models

Function of Digimatic Model

Origin-set, Zero-setting, Data hold, Data output,
 inch/mm conversion (on inch/metric models only)
 Function Lock, 2 Presets
 Alarm: Low voltage, Counting value composition error

Optional Accessories for Digimatic Model

- 05CZA662**: SPC cable with data switch (40" / 1m)
- 05CZA663**: SPC cable with data switch (80" / 2m)

