



Outside Micrometers

SERIES 340, 104 — with Interchangeable Anvils, Inch model

FEATURES

- IP65 water/dust protection (Series 340*).
*Models with a range up to 12" / 300mm.
- Wide measuring range with interchangeable anvils.
- With a ratchet stop for constant force.
- Supplied with zero-setting standards bar for each range.
- With SPC output (Series 340).
- Supplied in fitted wooden case.

Technical Data

Accuracy: $\pm[.00016" + .00004 (L/3)"]$ L = Max Range (Inch)
 Resolution*: .0001"/0.001mm
 (340-351-30: .00005"/0.001mm)
 Graduation**: .001" (104-165: is .0001")
 Flatness: .000024" for models up to 12"
 .00004" for models over 12"
 Parallelism: .00008" for models up to 3"
 .00012" for models up to 6"
 $\pm[.00008" + .00004 (L/4)"]$ L = Max range (inch)
 Measuring faces: Carbide tipped (spindle only)
 Display*: LCD
 Battery*: SR44 (1 pc.), 938882
 Battery life*: Approx. 2.4 years (1.8 years for models over 300mm) years under normal use
 Dust/Water protection level*: IP65 (up to 12" / 300mm)
 *Digital models **Analog models

Function of Digital Model

Zero / ABS, Data hold, Preset, Data output,
 inch/mm conversion (on inch/metric models only)
 Function Lock, 2 Presets
 Alarm: Low voltage, Counting value composition error

Optional Accessories for Digital Model

- 05CZA662:** SPC cable with data switch (40" / 1m)
 - 05CZA663:** SPC cable with data switch (80" / 2m)
 - 959149:** SPC cable Straight type (40"/1m)*
 - 959150:** SPC cable Straight type (80"/2m)*
 - 04AZB512:** SPC cable L-type (40"/1m)*
 - 04AZB513:** SPC cable L-type (80"/2m)*
- * models over 300mm



SPECIFICATIONS

Inch/Metric Digital model

Range	Resolution	Order No.	Mass (kg)	Remarks
0-6" / 0-152.4mm	.00005" / 0.001mm	340-351-30	0.96	with 6 anvils & 5 standards
6-12" / 152.4 - 304.8mm	.0001" / 0.001mm	340-352-30	1.88	with 6 anvils & 6 standards
12-18" / 304.8 - 457.2mm	.0001" / 0.001mm	340-720	4.75	with 6 anvils & 6 standards
18-24" / 457.2 - 609.6mm	.0001" / 0.001mm	340-721	6.62	with 6 anvils & 6 standards
24-30" / 609.6 - 762.0mm	.0001" / 0.001mm	340-722	10.06	with 6 anvils & 6 standards
30-36" / 762.0 - 914.4mm	.0001" / 0.001mm	340-723	11.98	with 6 anvils & 6 standards

Inch

Range	Graduation	Order No.	Mass(kg)	Remarks
0-2"	.0001"	104-165*	0.32	with 1" anvil & 1 standard
0-6"	.001"	104-137	1.35	with 6 anvils & 5 standards
6-12"	.001"	104-138	2.65	with 6 anvils & 6 standards
12-16"	.001"	104-152	3.31	with 4 anvils & 4 standards
12-18"	.001"	104-201	4.69	with 6 anvils & 6 standards
16-20"	.001"	104-153	4.81	with 4 anvils & 4 standards
18-24"	.001"	104-202	6.51	with 6 anvils & 6 standards
20-24"	.001"	104-154	6.35	with 4 anvils & 4 standards
24-28"	.001"	104-155	7.72	with 4 anvils & 4 standards
24-30"	.001"	104-203	9.95	with 6 anvils & 6 standards
28-32"	.001"	104-156	9.08	with 4 anvils & 4 standards
30-36"	.001"	104-204	11.87	with 6 anvils & 6 standards
32-36"	.001"	104-157	10.41	with 4 anvils & 4 standards
36-40"	.001"	104-158	11.78	with 4 anvils & 4 standards
36-42"	.001"	104-205	13.68	with 6 anvils & 6 standards

*.0001" reading is obtained with vernier.



Outside Micrometers

SERIES 340, 104 — with Interchangeable Anvils, Metric Model



FEATURES

- IP65 water/dust protection (Series 340*).
*Models with a range up to 300mm.
- Wide measuring range with interchangeable anvils.
- With a ratchet stop for constant force.
- Supplied with zero-setting standards bar for each range.
- With SPC output (Series 340).
- Supplied in fitted wooden case.

Digital model



SPECIFICATIONS

Metric Digital model

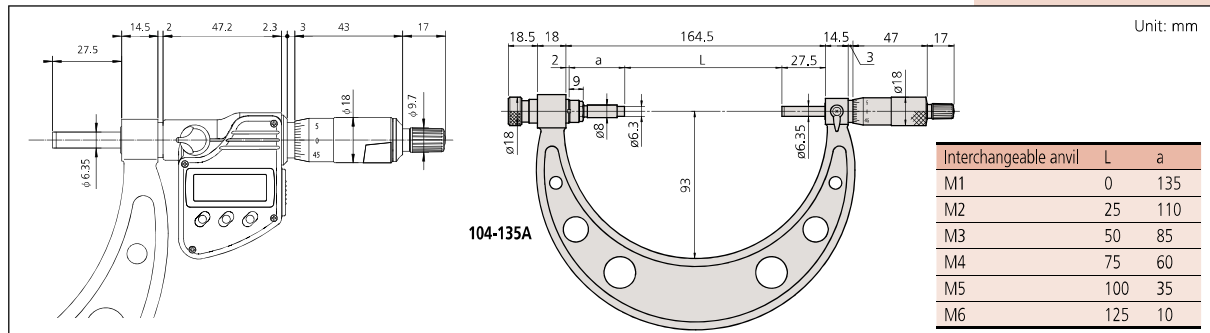
Range	Resolution	Order No.	Mass (kg)	Remarks
0 - 150mm	0.001mm	340-251-30	0.96	with 6 anvils & 5 standards
150 - 300mm	0.001mm	340-252-30	1.88	with 6 anvils & 6 standards
300 - 400mm	0.001mm	340-520	3.31	with 4 anvils & 4 standards
400 - 500mm	0.001mm	340-521	4.81	with 4 anvils & 4 standards
500 - 600mm	0.001mm	340-522	6.35	with 4 anvils & 4 standards
600 - 700mm	0.001mm	340-523	7.72	with 4 anvils & 4 standards
700 - 800mm	0.001mm	340-524	9.08	with 4 anvils & 4 standards
800 - 900mm	0.001mm	340-525	10.41	with 4 anvils & 4 standards
900 - 1000mm	0.001mm	340-526	11.78	with 4 anvils & 4 standards

Metric

Range	Graduation	Order No.	Mass (kg)	Remarks
0 - 50mm	0.01mm	104-171*	0.32	with 2 anvils & 1 standard
0 - 100mm	0.01mm	104-139A	0.79	with 4 anvils & 3 standards
0 - 150mm	0.01mm	104-135A	1.35	with 6 anvils & 5 standards
50 - 150mm	0.01mm	104-161A	1.35	with 4 anvils & 4 standards
100 - 200mm	0.01mm	104-140A	1.38	with 4 anvils & 4 standards
150 - 300mm	0.01mm	104-136A	2.65	with 6 anvils & 6 standards
200 - 300mm	0.01mm	104-141A	2.22	with 4 anvils & 4 standards
300 - 400mm	0.01mm	104-142A	3.31	with 4 anvils & 4 standards
400 - 500mm	0.01mm	104-143A	4.81	with 4 anvils & 4 standards
500 - 600mm	0.01mm	104-144A	6.35	with 4 anvils & 4 standards
600 - 700mm	0.01mm	104-145A	7.72	with 4 anvils & 4 standards
700 - 800mm	0.01mm	104-146A	9.08	with 4 anvils & 4 standards
800 - 900mm	0.01mm	104-147A	10.41	with 4 anvils & 4 standards
900 - 1000mm	0.01mm	104-148A	11.78	with 4 anvils & 4 standards

*The frame is in a heat-insulated cover.

DIMENSIONS



Technical Data

Accuracy: $\pm(4+R/75)\mu\text{m}$, R=max. range (mm)
 Resolution*: 0.001mm
 Graduation**: 0.01mm
 Flatness: 0.6 μm for models up to 300mm
 1 μm for models over 300mm
 Parallelism: 2 μm for models up to 75mm
 3 μm for models up to 150mm
 (2+R/100) μm for models over 150mm, R=max. range (mm)
 Measuring faces: Carbide tipped (spindle only)
 Display*: LCD
 Battery*: SR44 (1 pc.), **938882**
 Battery life*: Approx. 2.4 years (1.8 years for models over 300mm) years under normal use
 Dust/Water protection level*: IP65 (up to 300mm)
 *Digital models **Analog models

Function of Digital Model

Zero / ABS, Data hold, Preset, Data output, inch/mm conversion (on inch/metric models only)
 Function Lock, 2 Presets
 Alarm: Low voltage, Counting value composition error

Optional Accessories for Digital Model

05CZA662: SPC cable with data switch (40" / 1m)
05CZA663: SPC cable with data switch (80" / 2m)
959149: SPC cable Straight type (40"/1m)*
959150: SPC cable Straight type (80"/2m)*
04AZB512: SPC cable L-type (40"/1m)*
04AZB513: SPC cable L-type (80"/2m)*
 * models over 300mm