



HIKMICRO

HM-THUNDER-R Rail



The HM-THUNDER-R Rail is used for thermal image scope HM-TR13-35XF/CW-TH35C (used with HM-THUNDER-E), HM-TR13-25XF/W-TH25 and HM-TR13-35XF/W-TH35.

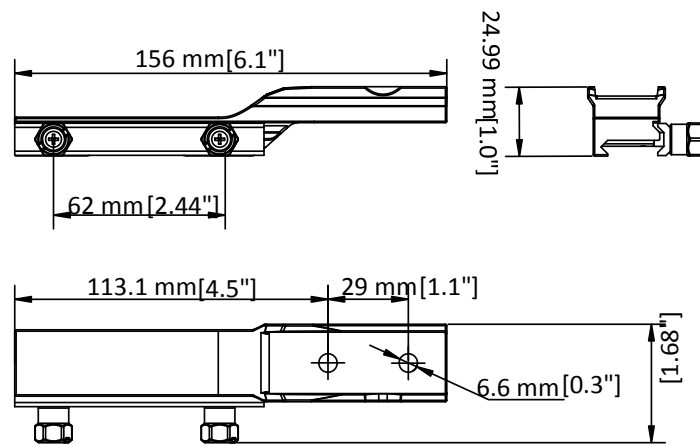
Specification

Parameter	
Dimension	156 mm × 42.78 mm × 25 mm (6.14" × 1.7" × 1.0")
Weight	120 g (0.26 lb)
Mounting	Picatinny Interface
Accessory	Wrench, Screw, Ring

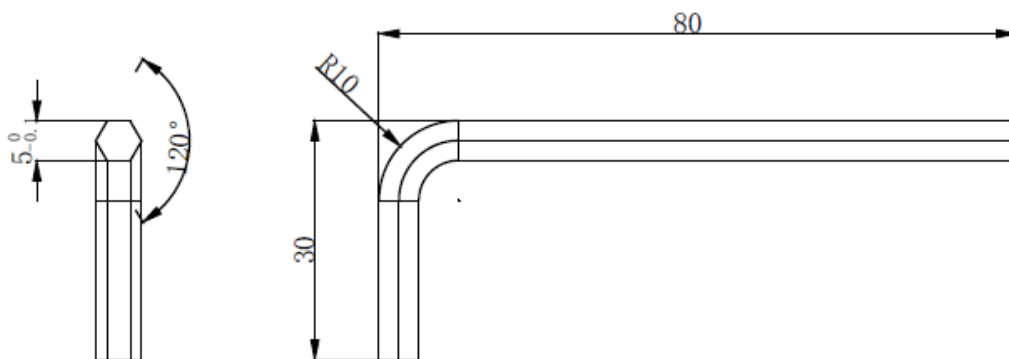
Available Model

HM-THUNDER-R

Dimension

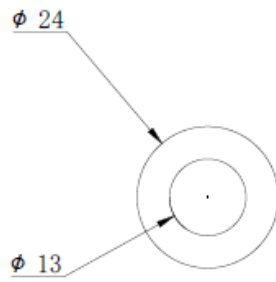


Wrench



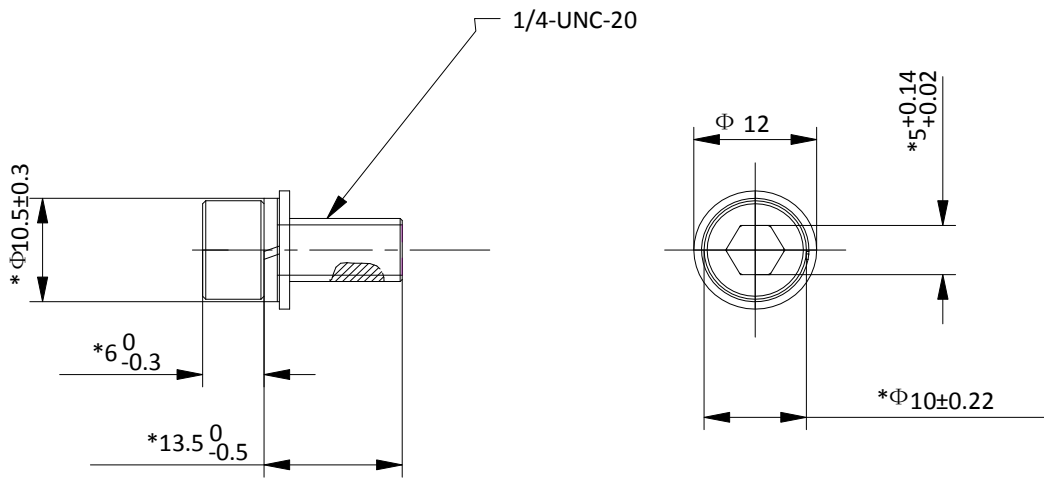
Unit:mm

Ring



Unit: mm

Screw



Unit: mm

