

ACRYLIC WALK-IN BATHTUB WITH 10 WATER-JETS

Model Number:

IVA-SG5327-10



Standard Features:

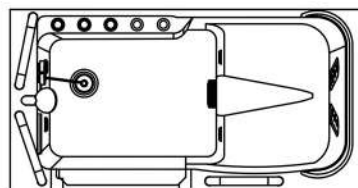
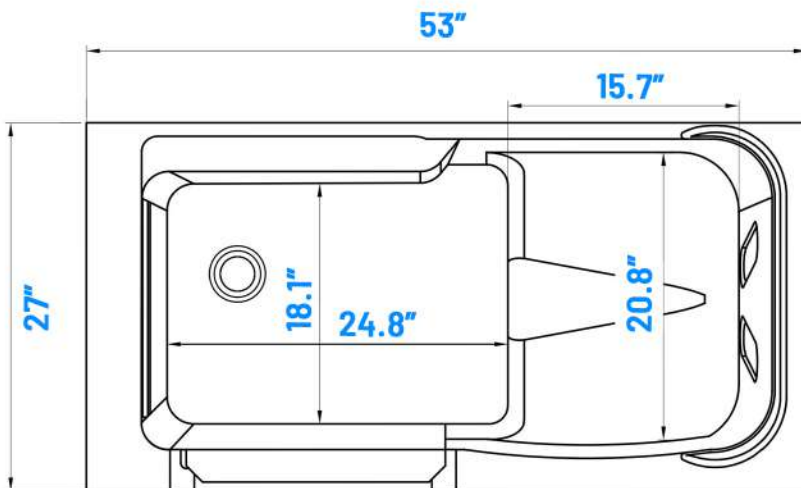
- The 53-inch Acrylic corner bathtub with hydromassage features with modern functions and design.
- Features ultimate comfort.
- Easily accessible design with multiple jets.
- Highly comfortable bathing with EVA pillows.

Electrical Requirement:

Carver requires one (1) 30AMP dedicated GFCI Breaker for each power supply provided with the bathtub

Component	HP	AMP	Requirement
10 jet whirlpool motor	1HP	6.8AMP	30AMP, 110v, GFCI

Dimensions



Specifications:

Material	Acrylic
Capacity	94 Gallons
Tub Floor	No non-slip bottom
Dimensions	53" x 27" x 42"
Water Pump	1HP 750W
Drainer Material	Brass + 304 S-Steel
Faucet Material	Brass + Zinc Alloy.