

FREESTANDING WHIRLPOOL JETS ACRYLIC BATHTUB

Model Number:

IVA-Q408-67



Standard Features:

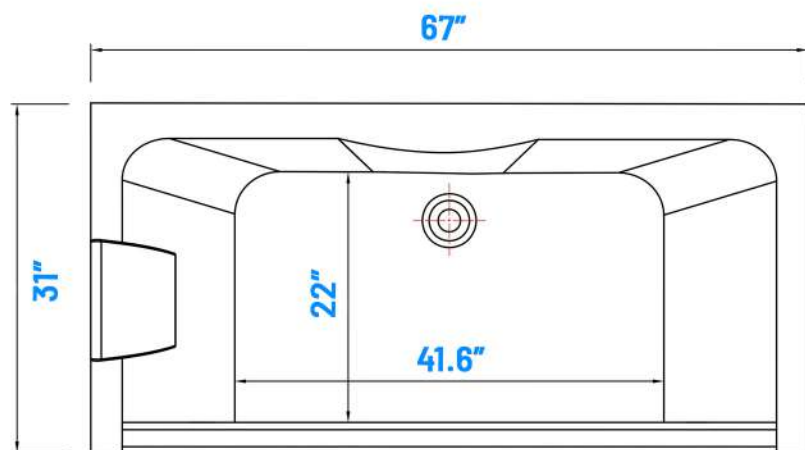
- The 67-inch Acrylic bathtub for 1-person with hydro massage feature and a comfortable design.
- Features advanced LED lights with PVC electroplating.
- Relax comfortably with the blissful bubble massage feature.
- Highly relaxing bathing with EVA pillows.

Electrical Requirement:

Carver requires one (1) 30AMP dedicated GFCI Breaker for each power supply provided with the bathtub

Component	HP	AMP	Requirement
11 jet whirlpool motor	1HP	6.8AMP	30AMP, 110v, GFCI
LED Light	N/A	-	Light can share electrical

Dimensions



Specifications:

Material	Acrylic
Capacity	72 Gallons
Tub Floor	No non-slip bottom
Dimensions	67" x 31" x 23"
Water Pump	1HP 750W
Glass Window	8mm Tempered Glass
Faucet Material	Brass + Zinc Alloy