

ACRYLIC WHIRLPOOL CORNER BATHTUB

Model Number:

IVA-Q312N



Standard Features:

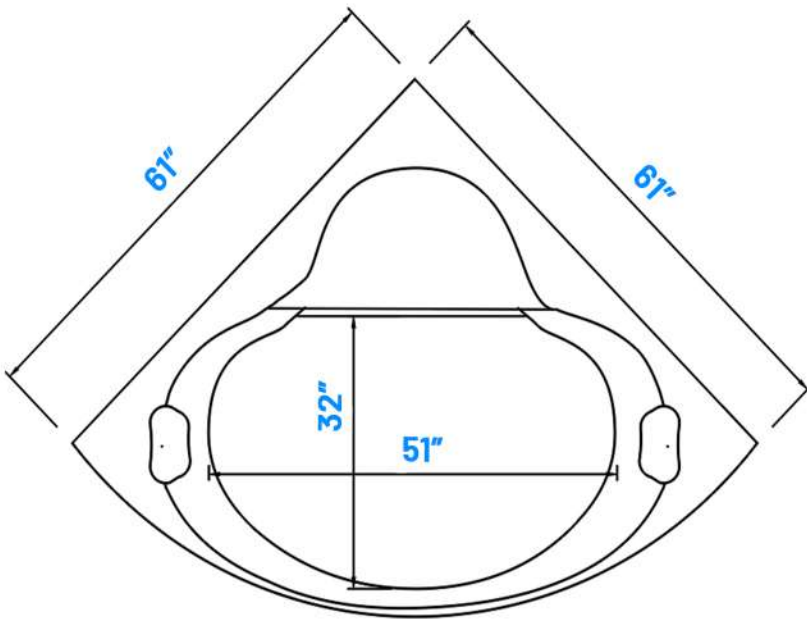
- The 61-inch Acrylic corner bathtub for 2-person with hydromassage features with modern functions and design.
- Features advanced LED lights with touch switch computer control.
- Double-ended design with UL-certified heater feature.
- Highly comfortable bathing with EVA pillows.

Electrical Requirement:

Carver requires one (1) 30AMP dedicated GFCI Breaker for each power supply provided with the bathtub

| Component | HP | AMP | Requirement |
|------------------------|-----|---------|----------------------------|
| 8 jet whirlpool Motor | 1HP | 6.8AMP | 30AMP, 110v, GFCI |
| Heater | 2HP | 13.7AMP | 30AMP, 110v, GFCI |
| Computer control panel | - | N/A | can share electrical |
| LED Light | - | N/A | Light can share electrical |

Dimensions



Specifications:

| | |
|------------------------|---------------------|
| Material | Acrylic |
| Capacity | 82 Gallons |
| Tub Floor | Slip-Resistant |
| Dimensions | 61" x 61" x 25" |
| Water Pump | 1HP-750W |
| Glass Window | 8mm Tempered Glass |
| Faucet Material | Brass + Zinc Alloy. |