

Introducing 2 new variations with a thinner cable!



**Easy to loop around,
even in confined spaces**



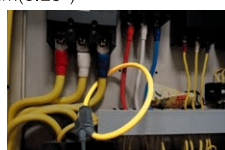
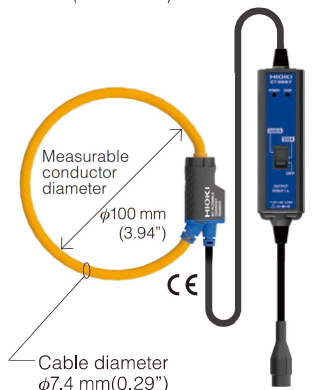
Use with a power quality analyzer or power meter

Thinner cable type is easy to use in confined spaces and with complex wiring

Thin cable type

AC FLEXIBLE CURRENT SENSOR CT9667

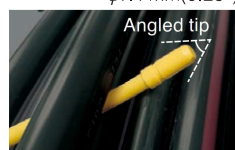
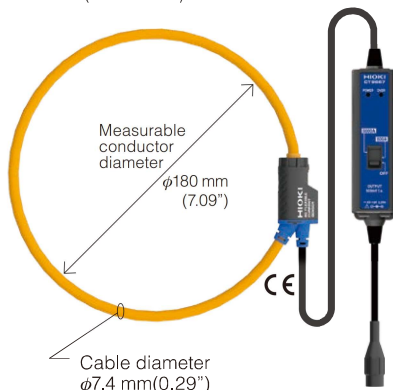
Model No. (Order Code) **CT9667-01**



In confined spaces

AC FLEXIBLE CURRENT SENSOR CT9667

Model No. (Order Code) **CT9667-02**

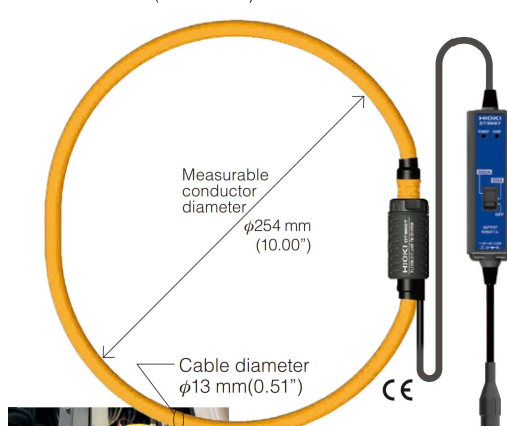


Shaped so that it's easy to route through complex wiring

Large-diameter type

AC FLEXIBLE CURRENT SENSOR CT9667

Model No. (Order Code) **CT9667-03**



For large-diameter applications such as busbars

Designed for use with power quality analyzers and clamp-on power meters

Use with the following products.

Power quality analyzers



PW3198 *Discontinued



3197 *Discontinued

Clamp-on power meters



PW3360



PW3365



3169*Discontinued

Basic specifications (Accuracy guaranteed for 1 year)

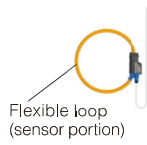
	CT9667-01	CT9667-02	CT9667-03
Rated input current		5000 A AC/ 500 A AC	
Max. allowable input	10000 A continuous (45 to 66 Hz, requires derating at frequency)		
Bandwidth	10 Hz to 20 kHz (±3dB)		
Amplitude and phase accuracy	±2 % rdg. ±0.3 % f.s. (45 to 66 Hz, at center of flexible loop) Phase: ±1 deg (45 to 66 Hz)		
Output voltage	500 mV AC/f.s. (0.1 mV AC/A) at 5000 A range, 500 mV AC/f.s. (1 mV AC/A) at 500 A range		
Max. rated voltage to earth	1000 V AC (CAT III), 600 V AC (CAT IV)		
Core diameter	φ 100 mm (3.94 in)	φ 180 mm (7.09 in)	φ 254 mm (10.00 in)
Output terminal	BNC		
Operating temperature	-25 °C to +65 °C (-13 °F to 149 °F)	-25 °C to +65 °C (-13 °F to 149 °F)	-10 °C to +50 °C (14 °F to 122 °F)
Power supply	LR6 (AA) alkaline batteries ×2, Continuous use : 7 days (rated power 35 mVA), or AC adapter 9445-02/-03 (rated power 0.2 VA), or External power supply 5 to 15 V DC (rated power 0.2 VA)		
Dust and water resistance	Flexible loop only: IP54		N/A
Dimensions and mass	Flexible loop cable diameter: φ7.4 mm (0.29 in), Cable length: Between flexible loop and battery box: 2 m (6.56 ft), Output cable: 1 m (3.28 ft), Battery box: 35 mm (1.38 in)W × 120.5 mm (4.74 in)H × 34 mm (1.34 in)D, 280 g (9.9 oz)		Flexible loop cable diameter: φ13 mm (0.51 in), Cable length: Between flexible loop and battery box: 2 m (6.56 ft), Output cable: 1 m (3.28 ft) Battery box: 35 mm (1.38 in)W × 120.5 mm (4.74 in)H × 34 mm (1.34 in)D, 470 g (16.6 oz)
Accessories	LR6 (AA) alkaline batteries ×2, Instruction manual ×1		



Connection lock mechanism



Range switch



Flexible loop (sensor portion)

Model No. (Order Code) **CT9667-01** (φ100 mm (0.30 in))
CT9667-02 (φ180 mm (7.09 in))
CT9667-03 (φ254 mm (10.00 in))

Note: These current sensors may also be used with HIOKI power quality analyzers, power meters or Memory HiCorders. CT9667 is a flexible current sensor for measuring large currents. It is not suitable for measuring minute current such as leakage current.

Options

AC ADAPTER 9445-02
100 to 240V AC

AC ADAPTER 9445-03
For EU, 9V/1A

CONVERSION ADAPTER 9704
Receiving side BNC (female), output banana (male) *Not compatible with older generation Memory HiCorders with banana input terminals

Note: Company names and product names appearing in this catalog are trademarks or registered trademarks of various companies.

HIOKI

HIOKI E. E. CORPORATION

HEADQUARTERS

81 Koizumi,
Ueda, Nagano 386-1192 Japan
<https://www.hioki.com/>



Scan for all regional contact information

DISTRIBUTED BY