

# **BESANTEK USB Data Logger Instructional Manual (BST-DL10, BST-DL13, BST-DL14)**



# BESANTEK USB Data Logger Instructional Manual (BST-DL10, BST-DL13, BST-DL14)

## CONTENTS

Chapter 1. USB Data Logger Hardware.....	1
1.1 Introduction.....	1
1.2 Features.....	1
1.3 Application.....	1
1.4 BESANTEK USB Data Logger Model.....	1
1.5 BESANTEK USB Temperature Data Logger Appearance .....	2
1.6 BESANTEK USB Temperature Data Logger Screen .....	2
1.7 BESANTEK USB Temperature & Humidity Data Logger Appearance.....	3
1.8 BESANTEK USB Temperature & Humidity Data Logger Screen.....	3
1.9 Button.....	4
1.10 Install Battery.....	4
1.11 Fix USB Data Logger.....	4
Chapter 2. BSTSoftware.....	5
2.1 The Requirement of the Computer Hardware.....	5
2.2 Install Driver & Software.....	5
2.3 Setting the logger's properties to start a new measurement.....	6
2.4 Properties Description.....	7
2.5 Download the Records after a Measurement.....	8
2.6 Data Listing Window.....	9
2.7 Exporting Logs from BST Software.....	9
2.8 Delete Records in the Logger.....	10
2.9 Check the Save File in File List.....	10
Chapter 3. Attention.....	11
Chapter 4. FAQ.....	11
4.1 LCD Screen Dim.....	11
4.2 LCD Screen Display "FUL".....	11
4.3 Data & Time Error.....	11
4.4 Software "Runtime Error".....	11
4.5 Check COM Port Number.....	11

# Chapter 1. USB Data Logger Hardware

## 1.1 Introduction

BESANTEK USB Data logger has USB interface, enjoying elegant appearance and compact construction, specially designed for refrigerator and cold-chain transportation as well as container transport applications. BESANTEK USB Data logger adopts friendly USB interface, friendly mounting bracket and the screws. BESANTEK USB Data logger can show temperature/temperature and humidity simultaneously as well as the battery indication. The OK key can help to check the Max/Min/Current value and the upper and lower limits.

## 1.2 Features

- Waterproof and dustproof standard IP67, resisting moisture and dust.
- Temperature and humidity limit can be set. LED lights when the setting value being exceeded.
- Lower consumption design, 1/2AA 3.6V Li battery, working for 12 months and easy to replace battery. (Logging Interval: 600s)
- Transfer logging data to PC through software and can be saved as different types to ensure the existence.
- The high accuracy sensor was produced by Switzerland,
- Size(L x H x D): 126mm x 34mm x 28mm

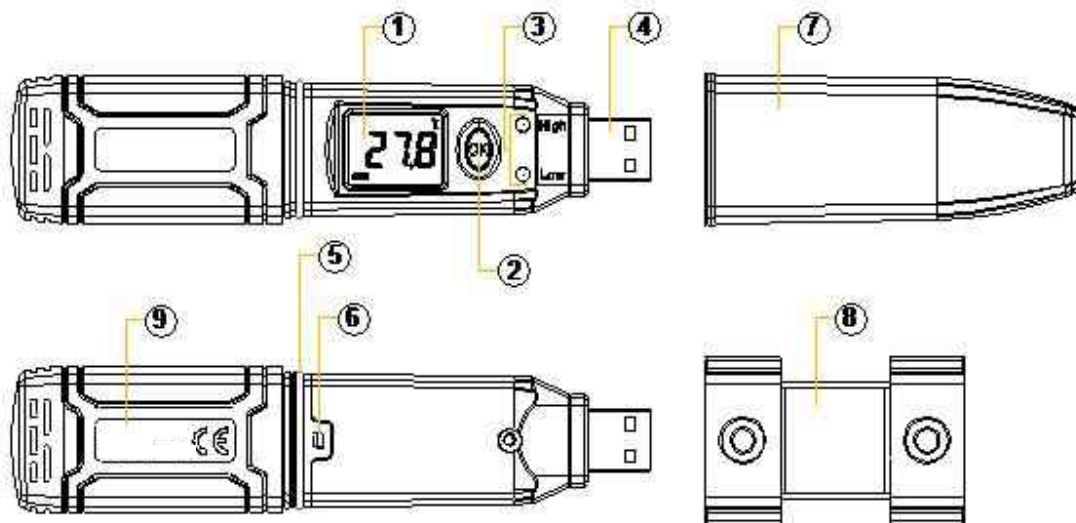
## 1.3 Application

- Cold Chain Transportation
- Containers
- Outdoor Stevenson Screen

## 1.4 BESANTEK USB Data Logger Model

Model	Temperature Range	Humidity Range	Temperature Accuracy	Humidity Accuracy	Capacity of Records
BST-DL10	-30~70°C	-	±0.5°C	-	43,000
BST-DL13		0~100%RH	±0.5°C	±5%RH	
BST-DL14		0~100%RH	±0.3°C	±3%RH	

## 1.5 BESANTEK USB Temperature Data Logger Appearance



- ① LCD Screen
- ② Button
- ③ LED Warning Light When the Temperature Value Exceeds the Setting Limits.
- ④ USB Connection Port
- ⑤ Waterproof Ring
- ⑥ Battery Replacement Position.
- ⑦ Waterproof Transparent Cover
- ⑧ Fixed Bracket
- ⑨ Label

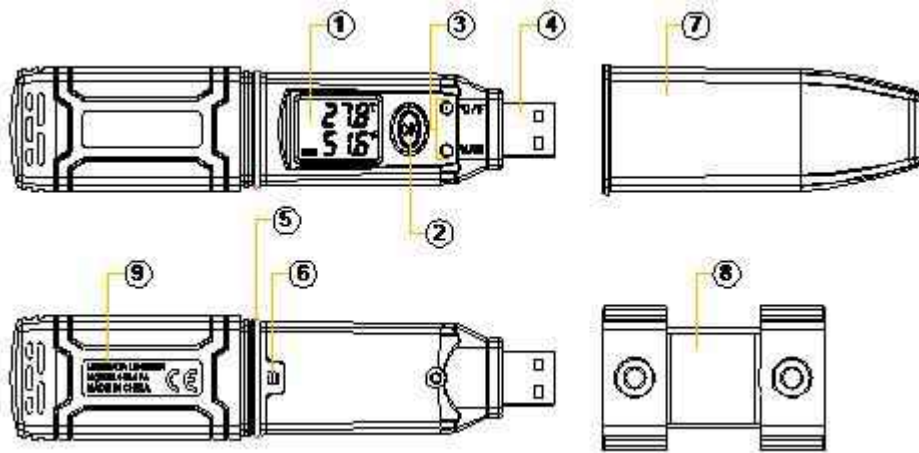
## 1.6 BESANTEK USB Temperature Data Logger Screen



- ① Display the High Limit
- ② Display the Low Limit
- ③ Battery power indication.
- ④ Display the Minimum Value in Records
- ⑤ Display the Maximum Value in Records
- ⑥ Symbol display shows being the logging status.
- ⑦ Temperature Value
- ⑧ Temperature Unit(°C or °F)

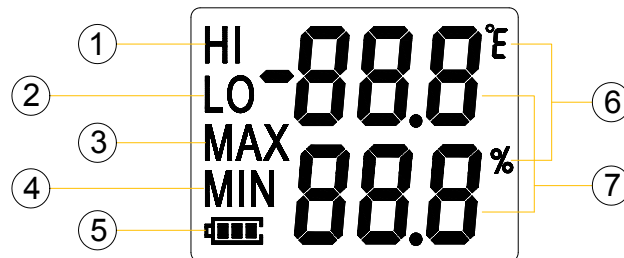
Temperature Unit(°C or °F)

## 1.7 BESANTEK USB Temperature & Humidity Data Logger Appearance



- ① LCD Screen
- ② Button
- ③ LED Warning light When the Temperature or Humidity Value Exceeds the Setting Limits.
- ④ USB Connection Port
- ⑤ Waterproof Ring
- ⑥ Battery Replacement Position.
- ⑦ Waterproof Transparent Cover
- ⑧ Fixed Bracket
- ⑨ Label

## 1.8 BESANTEK USB Temperature & Humidity Data Logger Screen



- ① Display the High Limit
  - ② Display the Low Limit
  - ③ Display the Maximum Value in Records
  - ④ Display the Minimum Value in Records
  - ⑤ Battery power indication.
  - ⑥ Units symbol display
  - ⑦ %RH Value
- °C or °F

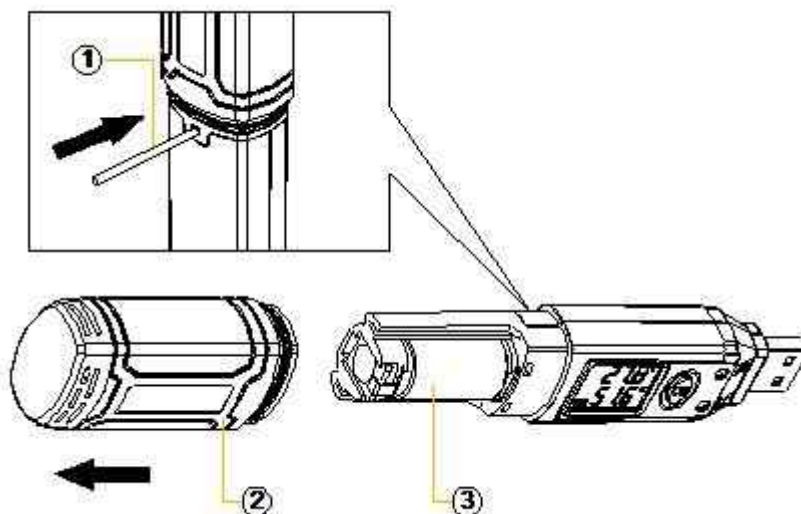
## 1.9 Button

 OK Button

1. Press this button for long to 5seconds can turn on/off the logger.
2. Check the MAX; MIN; High & Low values as well as the current value in the working status.

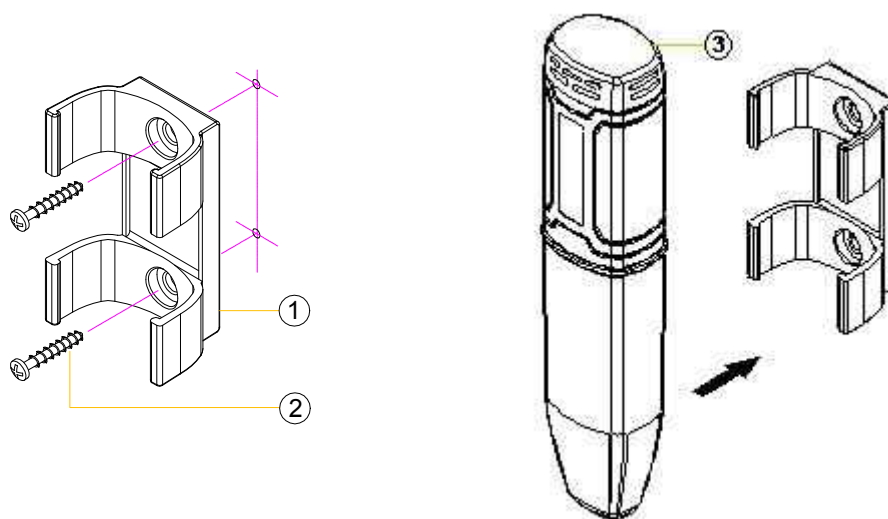
## 1.10 Install Battery

1. Open the Battery Cover
2. Install Battery



## 1.11 Fix BESANTEK USB Data Logger

1. Use Screw to Fix the Bracket onto the Wall.
2. Install the Data Logger.



## Chapter 2. BSTSoftware

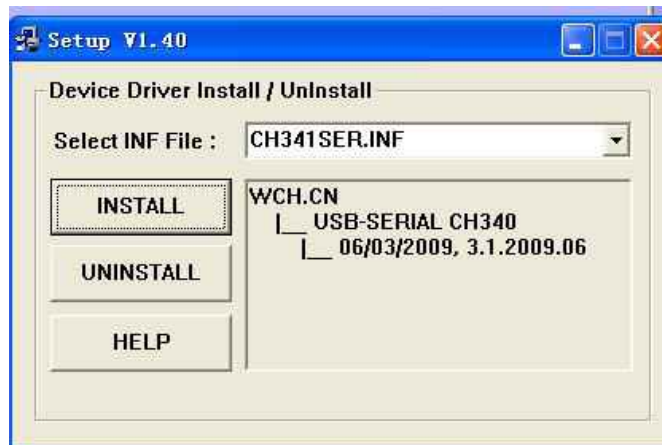
### 2.1 The Requirement of the Computer Hardware

1. OS: Windows XP/Vista/7/8 (32/64bit)
2. CPU: 1.6GHz
3. Physical Memory: 512MB
4. Hard-drive Space: 4 GB
5. USB Port: 1

### 2.2 Install Driver & Software

1. Install Driver

Notice: Windows 64bit please install 64bit-driver.

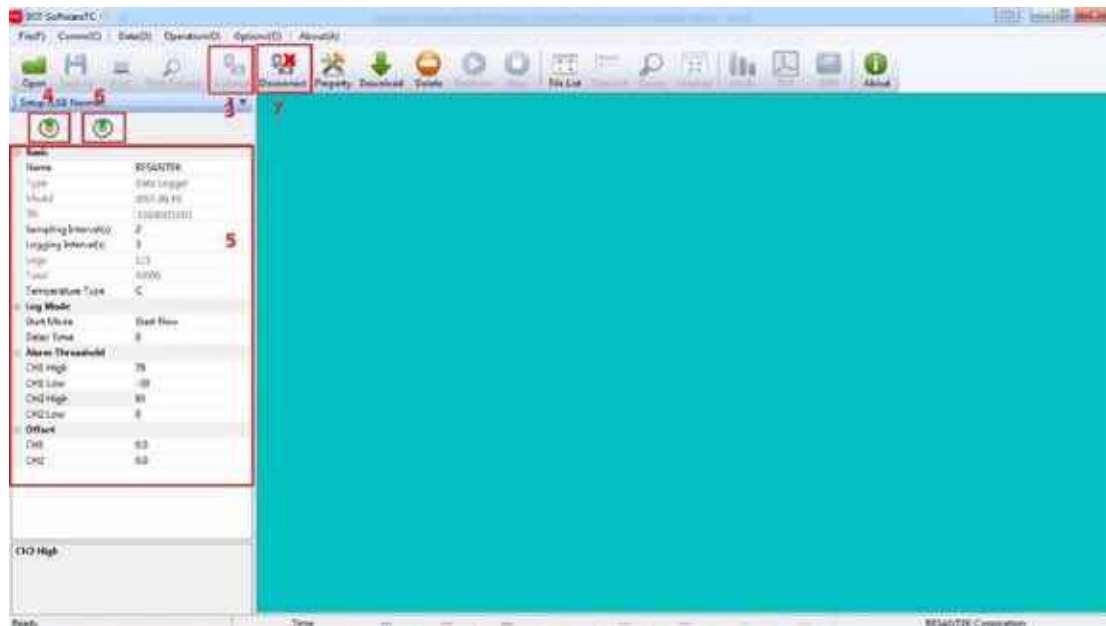


2. Install BSTSoftware

**Notice:** Please Install BSTSoftware in D:\

## 2.3 Setting the logger's properties to start a new measurement.

1. Connect the data logger to the computer.<sup>1</sup>
2. Running BSTSoftware on the PC.
3. From the toolbar select Connect.<sup>2</sup>
4. Read the logger's properties.
5. Set the properties.
6. Sync the properties & time. (The PC time will be synchronized to the logger as well.)
7. From the toolbar select Disconnect



8. Unplug the logger from the Computer, and then the logger is in Standby mode<sup>3</sup>.
9. Press OK button on the logger, turn on the Data Logger and start recording.

<sup>1</sup> The windows operating system cannot handle USB devices being unplugged and plugged back too fast. When unplugging the logger, wait for about 5 seconds before plugging it in again. If you unplug and plug back a device too quickly, the computer may stop recognizing any USB devices on that port. If this happens you will have to restart the computer. This is a windows USB problem and is not related to BSTSoftware.

<sup>2</sup> If more than one logger is connected to your computer at the same time, the program will ask you to choose COM port manually.

<sup>3</sup> The logger has three modes: 1.LOG: In the mode, the logger samples and records data timely. 2. Standby: In the mode, the logger stops to sample and record, and the LCD display is OFF. 3. OFF: In the mode, the logger stops to sample and record, and the LCD display is off. BSTSoftware cannot connect to the logger also.



## 2.4 Properties Description

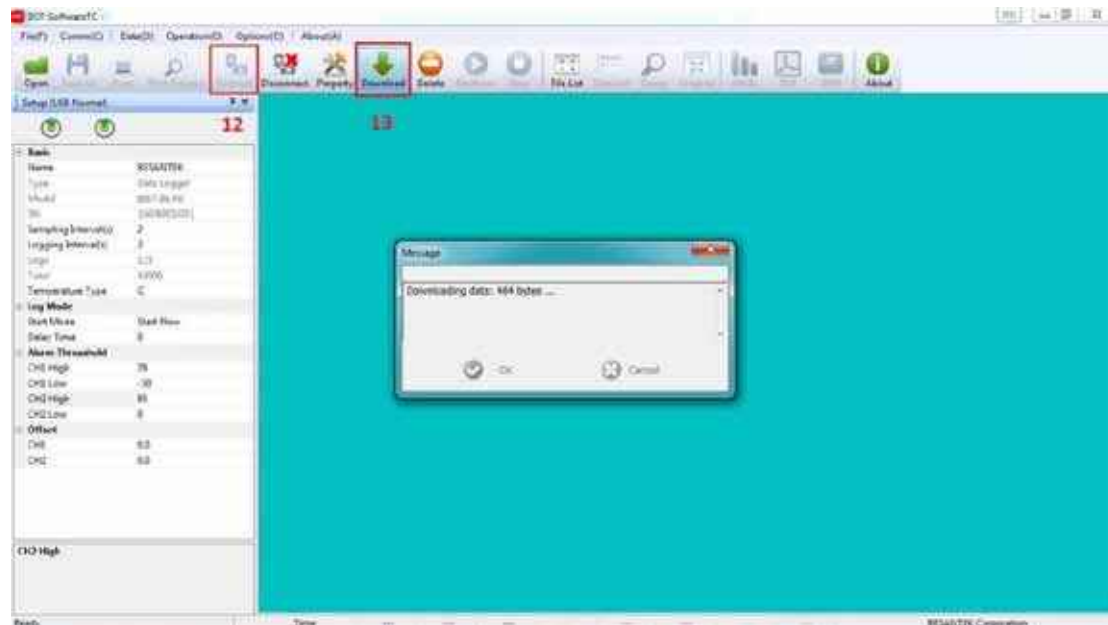


Property	Text	Description
Name	English letters or Numbers	Name of the logger
SN	10 Characters	Must be the same as the one in the label of logger.
Sampling Interval (s)	Number from 1 to 240	Sampling frequency in LCD screen
Logging Interval (s)	Number from 2 to 86400	Logging frequency.
Logs		The count of records in the memory.
Capacity		The total capacity of the logger's storage.
Start Mode	Start Now	Start log when the Logger was turn ON.
	Delay Start	Wait Delay Time then start log.
	Timing Start	Start log when Delay Time: HHMMSS e.g. 170000 means 17:00:00
Delay Time		Input a Delay Time or Timing Time.
High & Low Limit	CH1: Temperature CH2: Humidity	When the value over the limit, the buzz will sounds an alarm.
Offset <sup>4</sup>		Input positive number to decrease the value. Input negative number to increase the value.

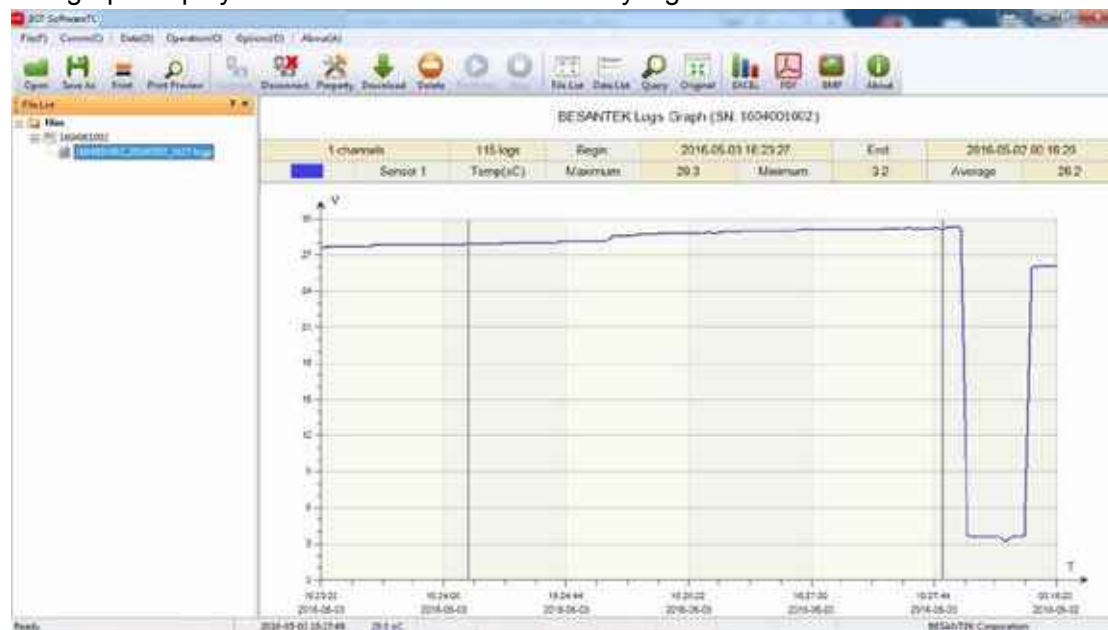
<sup>4</sup> Calibrate the logger: The logger is factory calibrated to an accuracy given in the device specifications. However, there may be times when you wish to adjust the calibration of your logger. BSTSoftware provides you with the ability to perform a single point offset calibration. This calibration can be used to increase the accuracy of the logger for a restricted data range.

## 2.5 Download the Records after a Measurement.

10. Connect the data logger to a free USB port on the computer.
11. Running BSTSoftware on the PC.
12. From the toolbar select Connect.
13. From the toolbar select Download



Once the data is transferred from the logger to the PC, the data graph will be displayed. The graph display will be blank if there are not any logs.



**Tips:** Press and hold the left mouse button to drag a box, when the left mouse button is released, the graph will be redraw with the data in the selected rectangle area. Click right button, then the graph will be redrawing with all the data in the logs file.



## 2.6 Data Listing Window

Click "Data List" button on the toolbar, and then the data listing window is shown below. Channel 3 unit is Dew Point. The Value is calculated from temperature & humidity.



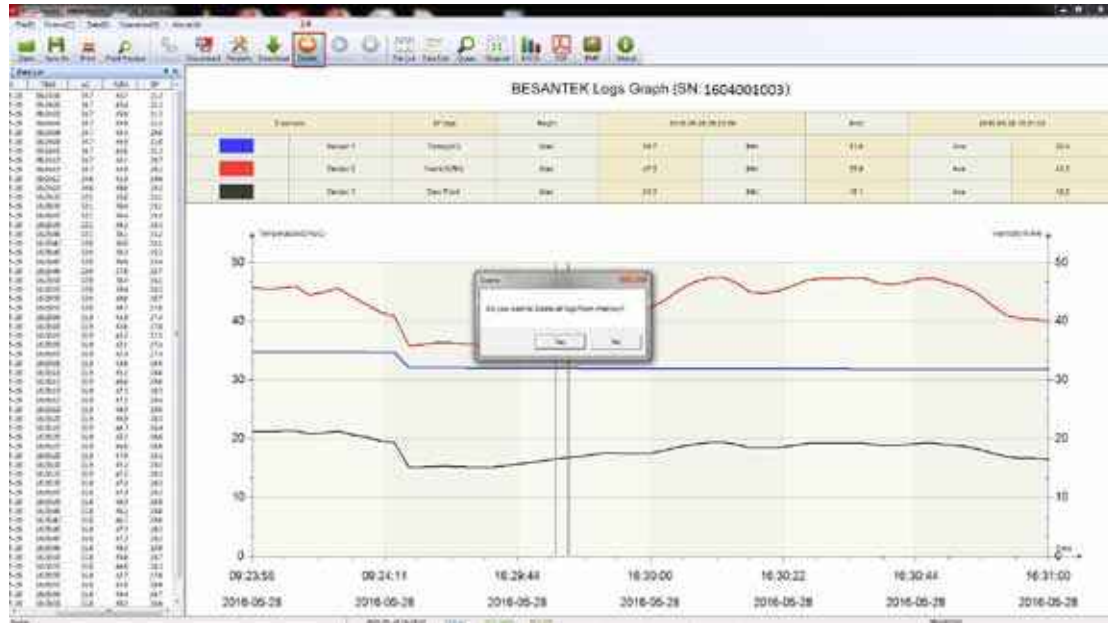
The data pane lists the data samples collected by the logging device. The column width of each column is adjustable by using the left mouse button and dragging the column the desired width.

## 2.7 Exporting Logs from BSTSoftware

- 
 : Export data list to an Excel file.
- 
 : Export data list to a PDF file.
- 
 : Export graph to a BMP file.

## 2.8 Delete Records in the Logger

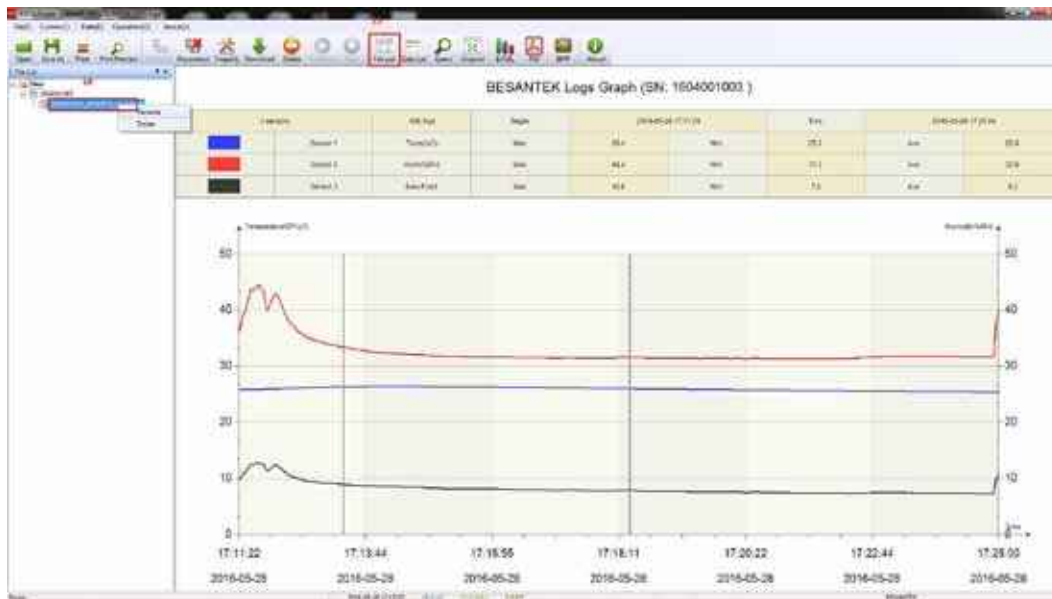
14. From the toolbar select Delete<sup>5</sup>



## 2.9 Check the Save File in File List

15. From the toolbar select Filelist.<sup>6</sup>

16. Click to open the file.



- Double click left mouse button, then the selected file is opened.
- Click right mouse button, a popup menu is shown as below, you can rename or delete or log file.
- The save file is saved in the BSTSoftware software's installation path in the PC's hard driver.

<sup>5</sup> Clear the logger's memory. It will not affect downloaded file.

<sup>6</sup> These files are located in the installed path of BSTSoftware.

## Chapter 3. Attention

- BESANTEK USB Data logger water proof level is IP67. Do not put it into the water.
- BESANTEK USB Data logger plastic shell is ABS, flame retardant, not resistant to acid and alkali.
- If repair is needed, only authorized technician could do the repair.
- The instrument configuration by 1 x ER14250 lithium battery (3.7V) is not rechargeable.
- USB power supply (5V) cannot let the Data Logger work.

## Chapter 4. FAQ

### 4.1 LCD Screen Dim

Reason:

- Insufficient battery or the environment temperature is too low or too high.

Solution:

- In the case of insufficient battery, please replace the battery. If resulted from environment temperature, please immediately take the logger out of the environment.

### 4.2 LCD Screen Display "FUL"

Reason:

- The data is full of the data logger's flash chip.

Solution:

- Connect the data logger to a computer. Download the data from the data logger. Delete the data (clear the flash chip) in the data logger by BSTSoftware.

### 4.3 Data & Time Error

Reason:

- The battery level is low
- The data logger is not synchronous properties, before start recording.

Solution:

- Replace the battery.
- Please sync the properties, before start recording.

### 4.4 Software "Runtime Error"

Reason:

- OS forbid software creating files.

Solution:

- Run the program (software) as an administrator.
- Install software in Disk D:\
- A data logger name cannot contain any of the following characters: \ / : \* ? " < > |
- Software's installation path cannot include Chinese character or unknown character.

### 4.5 Check COM Port Number

- Press "Win" + "R" in keyboard -> Run "devmgmt.msc" to Open "Device Manager" in Windows-> Expand "Ports (COM & LPT)" -> "USB-SERIAL CH340 (COM No.)" is the Data Logger