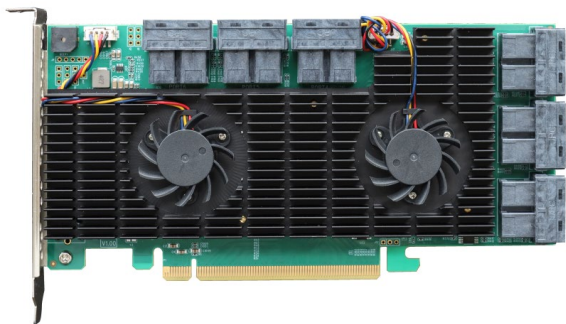


Rocket 760A (R760A)
PCI-Express 3.0 x16 Controller



R760

Quick Installation Guide
V1.00

R760A Kit Contents

- Rocket 760A Controller Card
- Quick Installation Guide

Operating System

- System with a free PCIe 3.0/4.0 x16 slot
- Windows 11, 10 / Server 2022, 2019, 2016/ Microsoft Hyper-V
- RHEL/Debian/Ubuntu/Fedora/Proxmox (Linux kernel 3.10 and later)
- Arch Linux (Kernel 5.17.5 and above)

Required Accessories

Certified cables are available directly from HighPoint and our authorized resellers. For more information, please contact our Sales Department (sales@highpoint-tech.com).

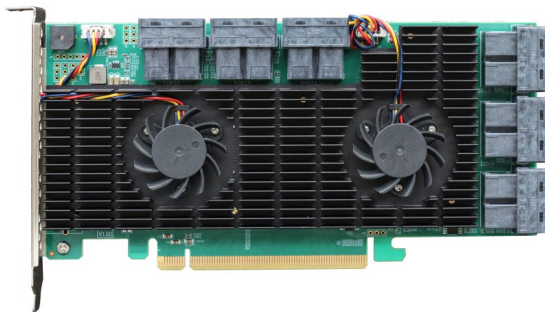
1. In order to use SATA drives with the R760A SAS controller, you will need at least one **8643-4SATA-1M** cable. Each cable can support four SATA hard drives or SSD via an SFF-8643 port.

2. In order to use SAS/SATA drives with the R760A SAS controller, you will need at least one.

8643-4SAS-1M cable. Each cable can support up to four SAS/SATA hard drives or SSD via an SFF-8643 port.

R760A Hardware

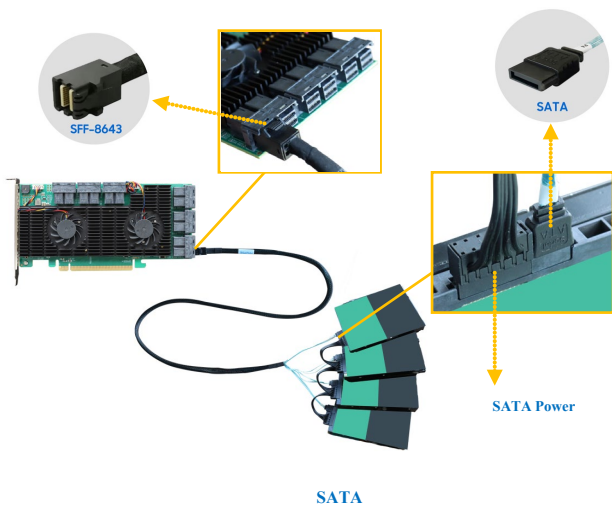
Front View



R760A Hardware Installation

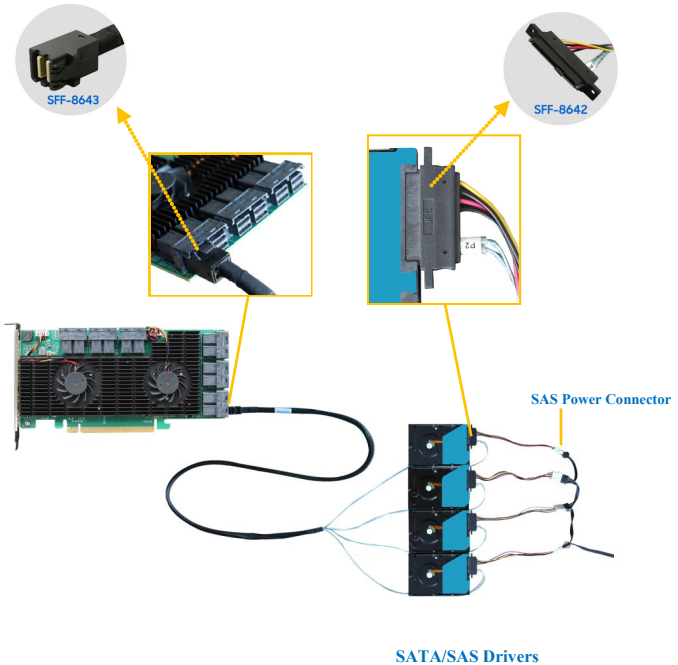
Note: Make sure the system is powered-off before installing the SAS Controller.

1. Connect the R760A into the PCIe 3.0/ 4.0 x16 slot of the motherboard;
2. How to connect disks to the R760A using the 8643-4SATA-1M cable.

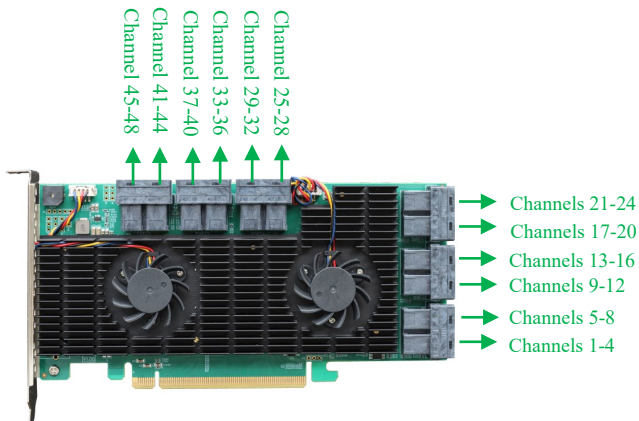


3. How to connect disks to the R760A using the 8643-4SAS-1M cable.

Each cable can support up to four SAS/SATA hard drives or SSD via an SFF-8643 port.



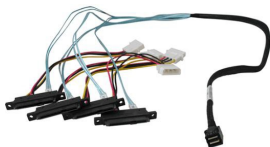
R760A Channel Layout



Optional Certified Cable Accessories

Device Cables

8643-4SAS-1M



SFF-8643



SFF-8482

SFF-8643 SAS to 4x SFF-8482
SAS cable

Length: 1M

8643-4SATA-1M



SFF-8643



SATA

SFF-8643 SAS to 4x SATA
cable, with Power Connector

Length: 1M

Resources

A variety of manuals, guides and FAQs are available for Rocket 760A SAS controllers. In addition, we recommend visiting the Software Downloads webpage for the latest drivers, management interfaces, and installation guides.

For Software Downloads, Documentation and more information about this product, please visit the following website:

<https://www.highpoint-tech.com/rocket700-series>

FAQ & Troubleshooting:

[FAQ - HighPoint Technologies, Inc. \(helpjuice.com\)](https://www.highpoint-tech.com/helpjuice.com)

Customer Support

If you encounter any problems while utilizing the SAS controllers, or have any questions about HighPoint Technologies, Inc. products & solutions, feel free to contact our Customer Support Department.

Web Support:

<https://www.highpoint-tech.com/support-and-services>

HighPoint Technologies, Inc. websites:

<https://www.highpoint-tech.com>

© Copyright 2022 HighPoint Technologies, Inc. All rights reserved.