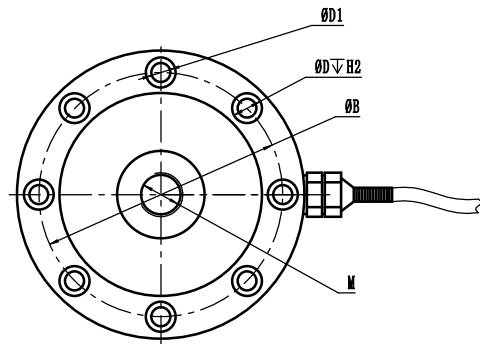
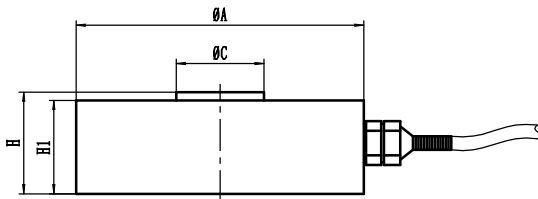


DYLF-102 轮辐式压力传感器 Spoke pressure sensor

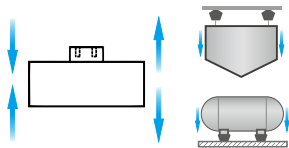


外形尺寸 External Dimension

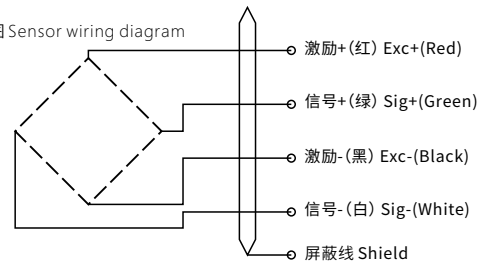


量程	φA	φB	φC	M	H	H1	H2	φD	φD1
0-1000kg	74	63	24	M16X1.5	34	30	7.2	8-φ9	8-φ6
1-8t	105	89	29	M16X1.5	37	34	7.2	8-φ11	8-φ7
10-20t	120.6	101.8	39	M32X1.5	53.5	41	10.5	8-φ14	8-φ9
30t	141	116.8	50.4	M40X1.5	57.2	50.8	11	8-φ18	8-φ11
40-80t	208	174	95	M64X3	70	*	15	16-φ20	16-φ13
100-250t	280	230	136	M76X3	90	*	20	16-φ30	16-φ17
300-450t	360	300	190	M100*3	110	*	20	20-φ40	20-φ25

传感器受力图 Force diagram of sensor



传感器接线示意图 Sensor wiring diagram



参数表 Parameters Table

量程 Capacity	0-500T	材质 Material	合金钢
输出灵敏度 Rated Output	2.0±10% mV/V	阻抗 Impedance	20-1000kg:700/1400Ω 1-30T:700Ω 50-500T:1400Ω
零点输出 Zero Balance	±1% F.S.	绝缘电阻 Insulation	≥5000MΩ/100VDC
非线性 Non-Linearity	0.05% F.S.	使用电压 Operating Temp Range	5-15v
滞后 Hysteresis	0.05% F.S.	工作温度范围 Operating Temp Range	-20-80°C
重复性 Repeatability	0.03% F.S.	安全过载 Safe Overload	150%
蠕变(30分钟) Creep(30min)	0.03% F.S.	极限过载 Maximum Overload	200%
温度灵敏度漂移 Temp Effect on Output	0.03% F.S./10°C	电缆线规格 Cable Specifications	φ5x3m
零点温度漂移 Temp Effect on Zero	0.03% F.S./10°C	线缆极限拉力 Cable ultimate pull	10kg
响应频率 Response frequency	10kHz	TEDS可选	

产品综述 Product Reviews

特性:

拉压双向受力、结构紧凑、综合精度高、长期稳定性好、优质合金钢表面镀镍。

应用领域:

反应釜, 冷热液压油压机, 电子万能试验机, 伺服电缸压机, 各类衡器等工业, 自动化组装的工业, 测力方向。

Characteristic:

It has the advantages of bi-directional tension and compression, compact structure, high comprehensive precision, good long-term stability and nickel plating on the surface of high-quality alloy steel.

Application fields:

Reaction kettle, hot and cold hydraulic press, electronic universal testing machine, servo electric bar press mounting machine, all kinds of weighing apparatus, automatic assembly industry, force measuring direction and hopper scale.