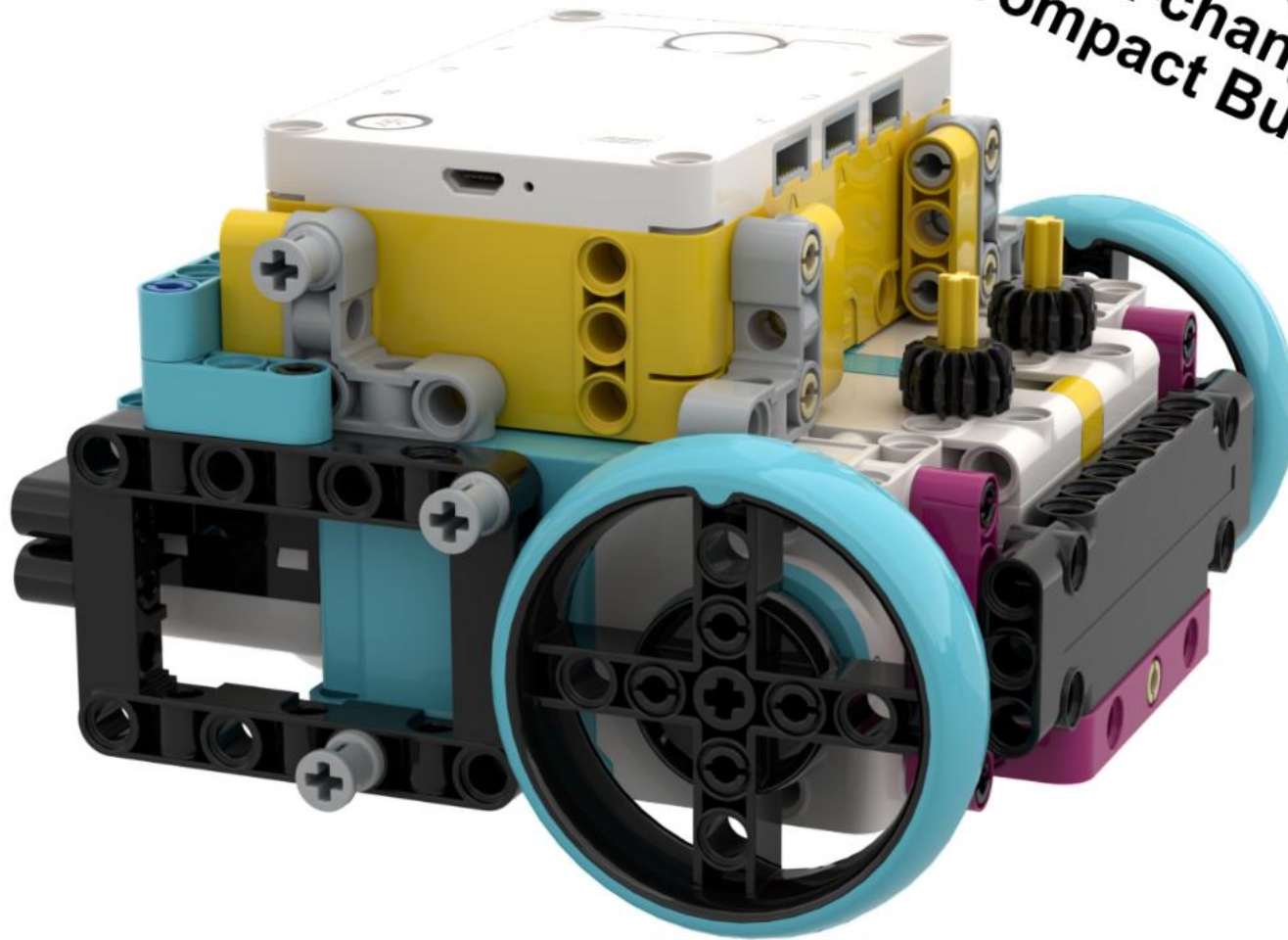
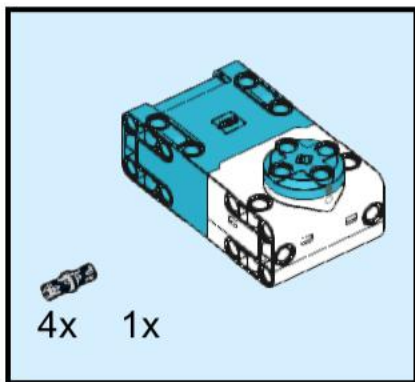
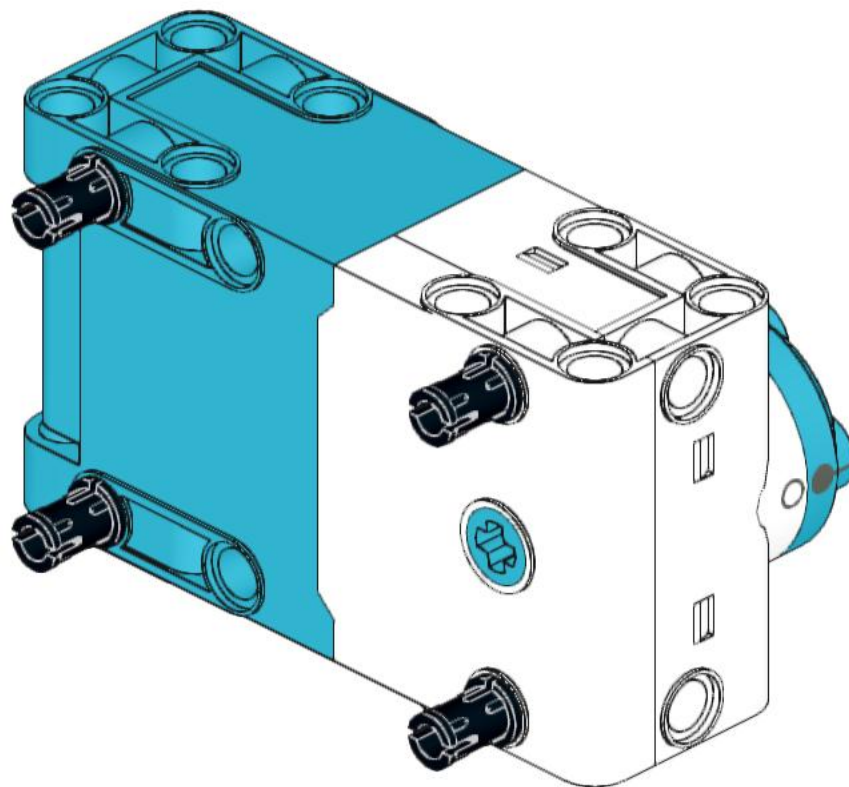


Modular Design
Quick-change Attachments
Compact Build

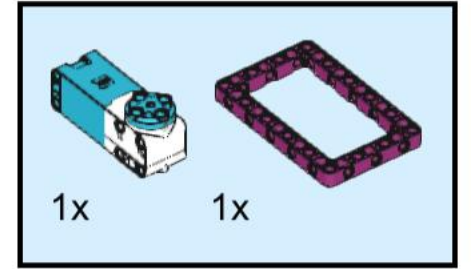
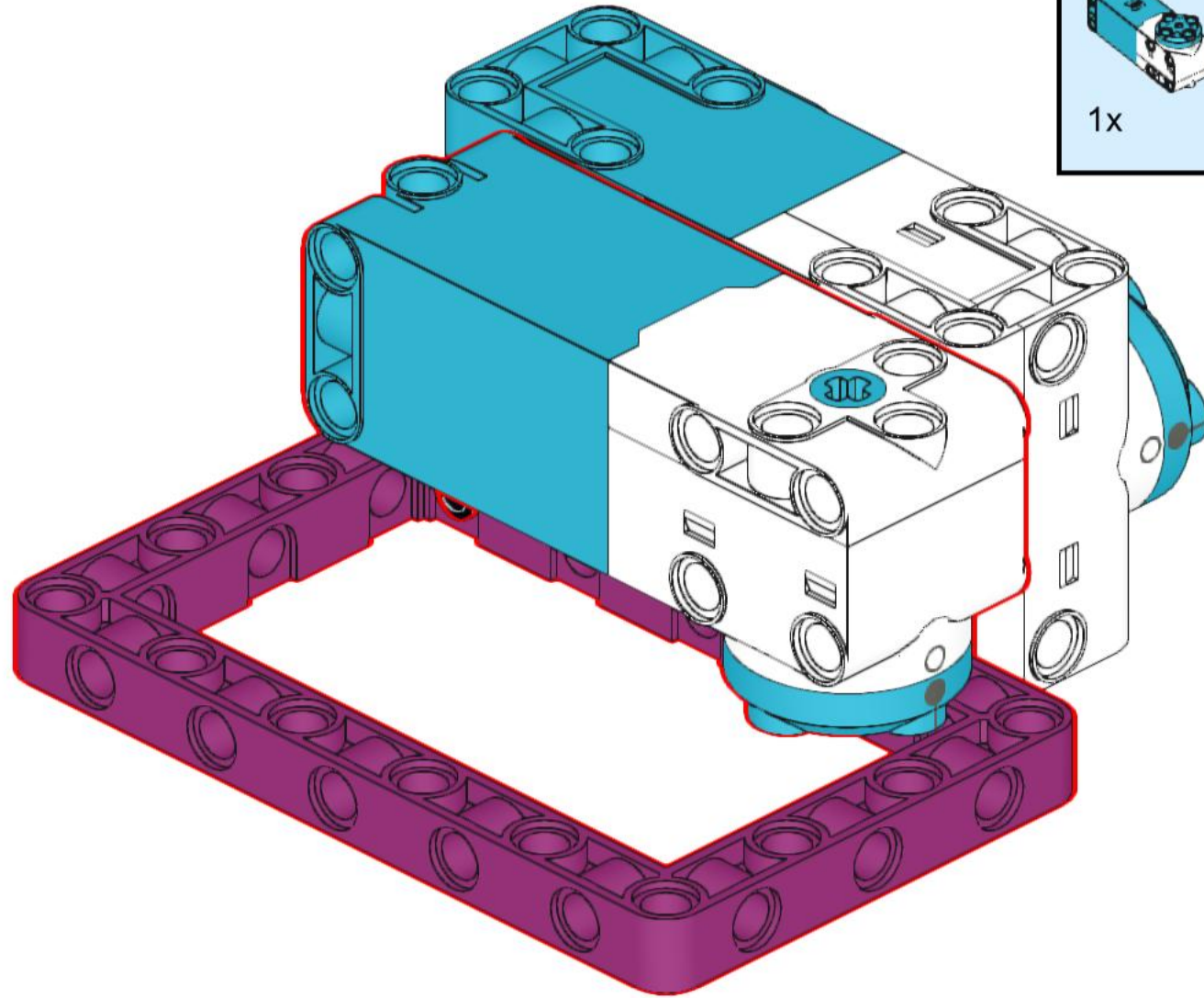


Droid Bot M
Sanjay Seshan and Arvind Seshan
PrimeLessons.org

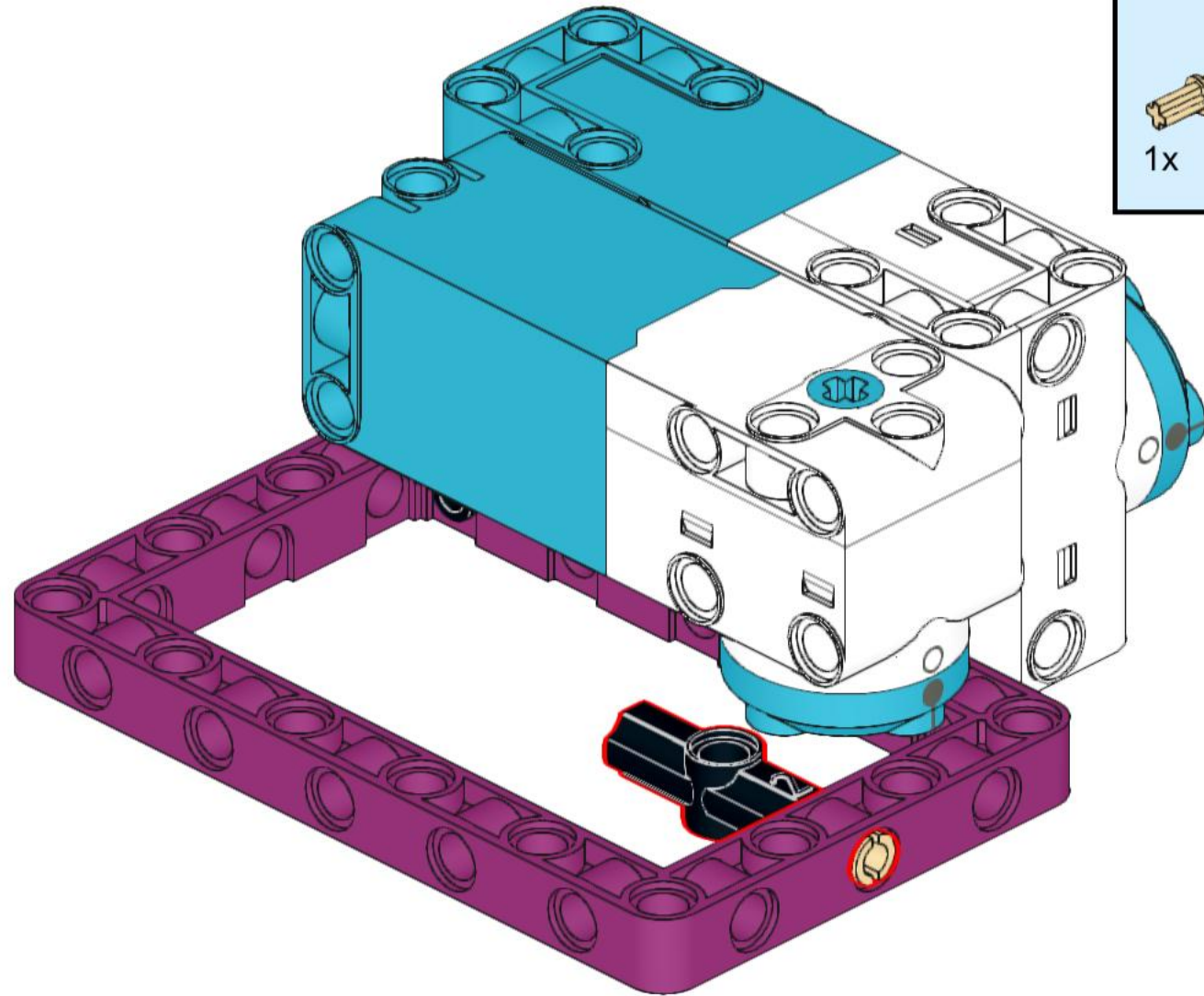
1



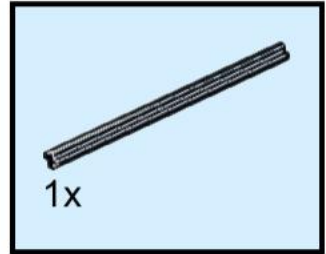
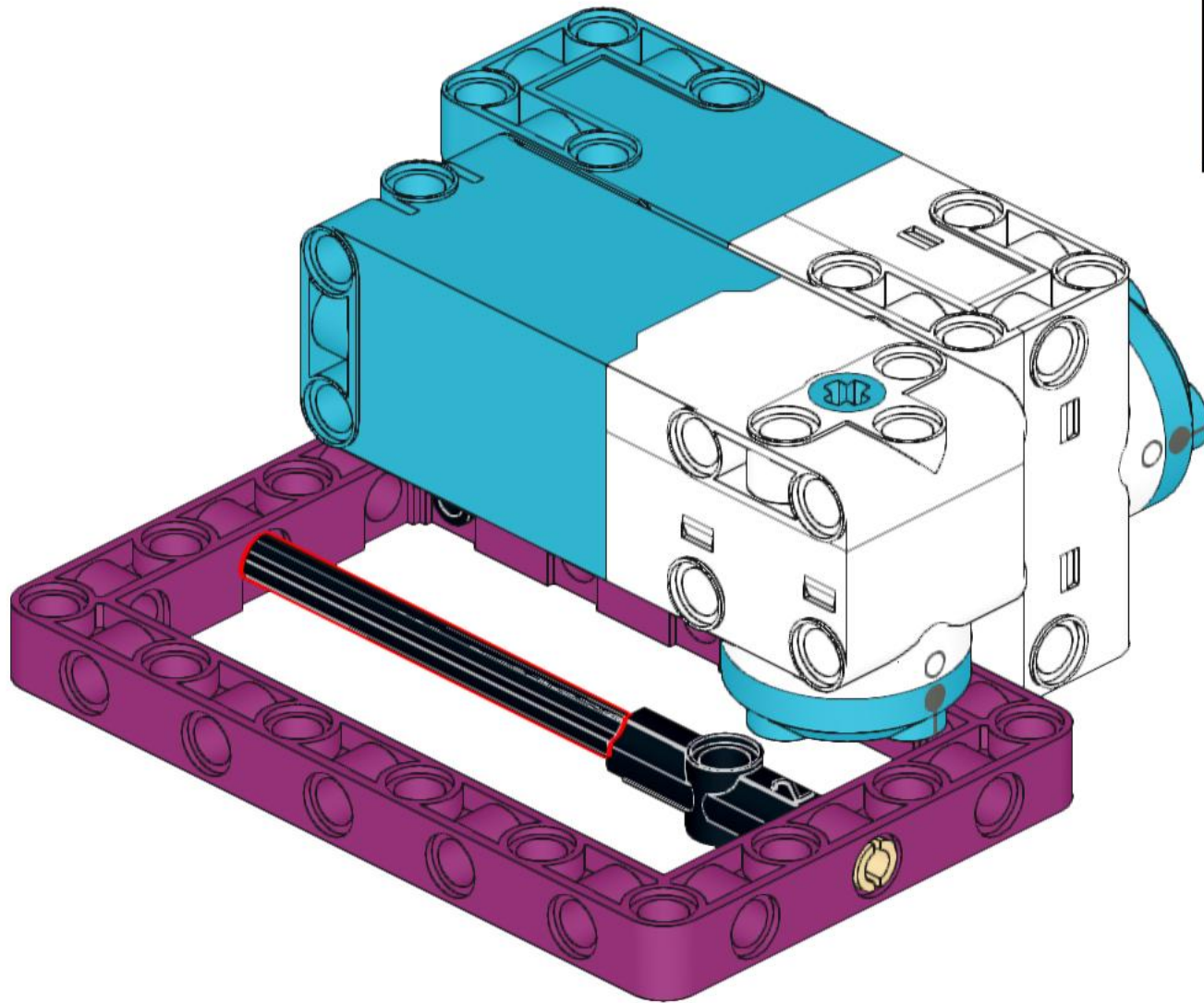
2



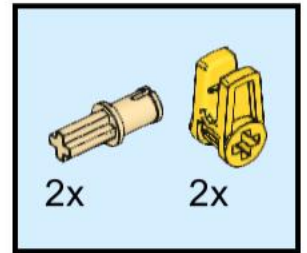
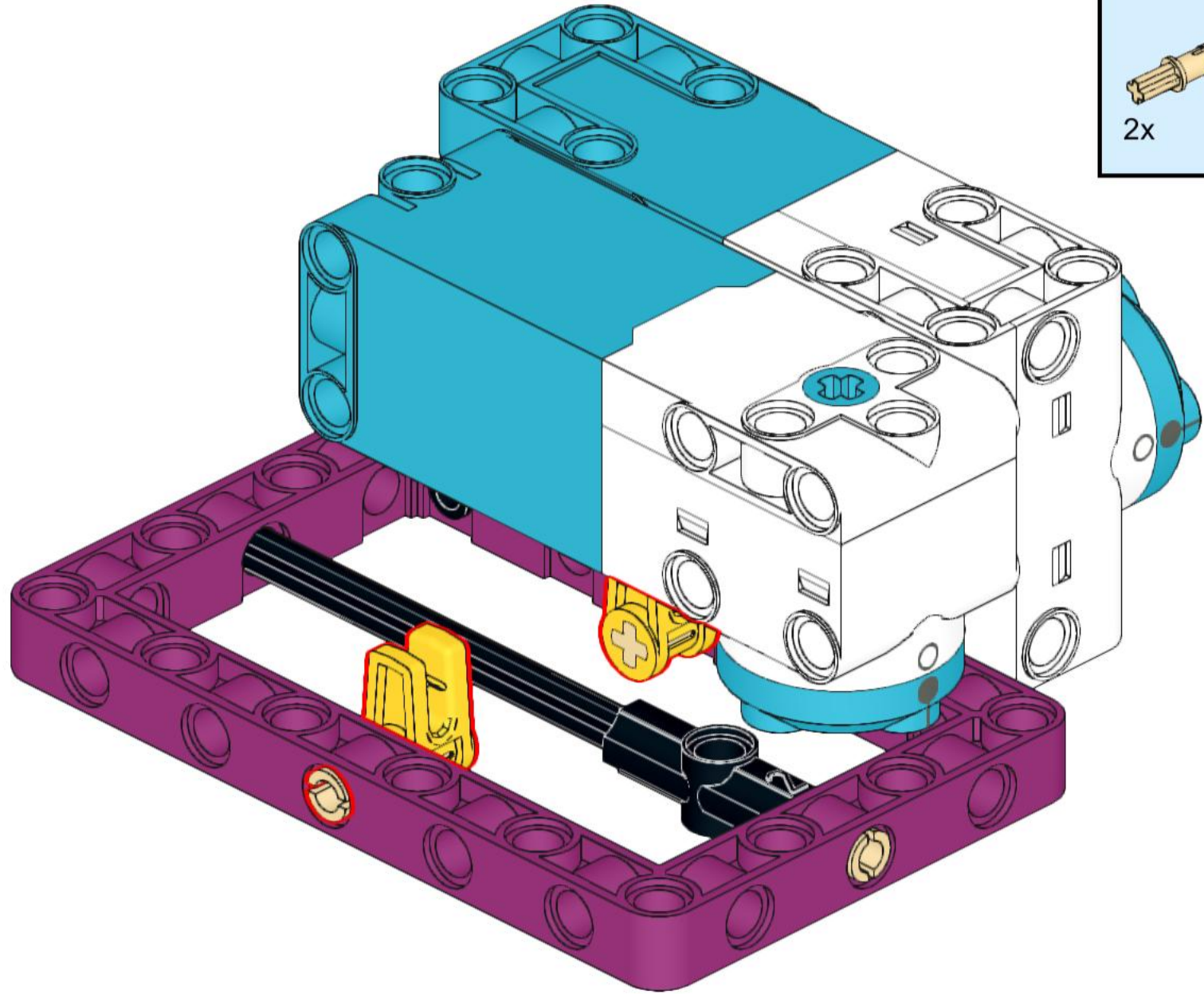
3



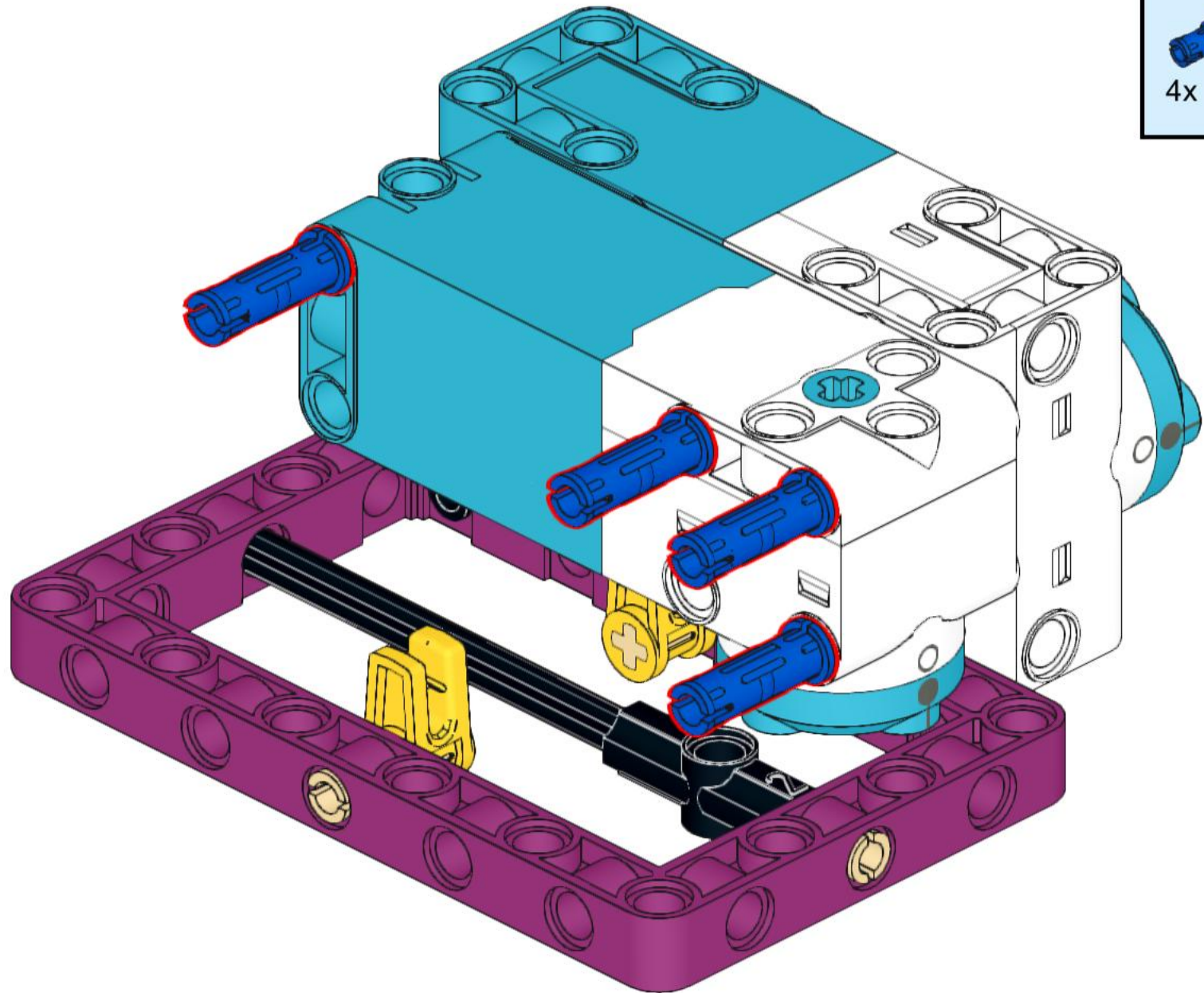
4



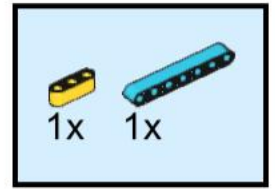
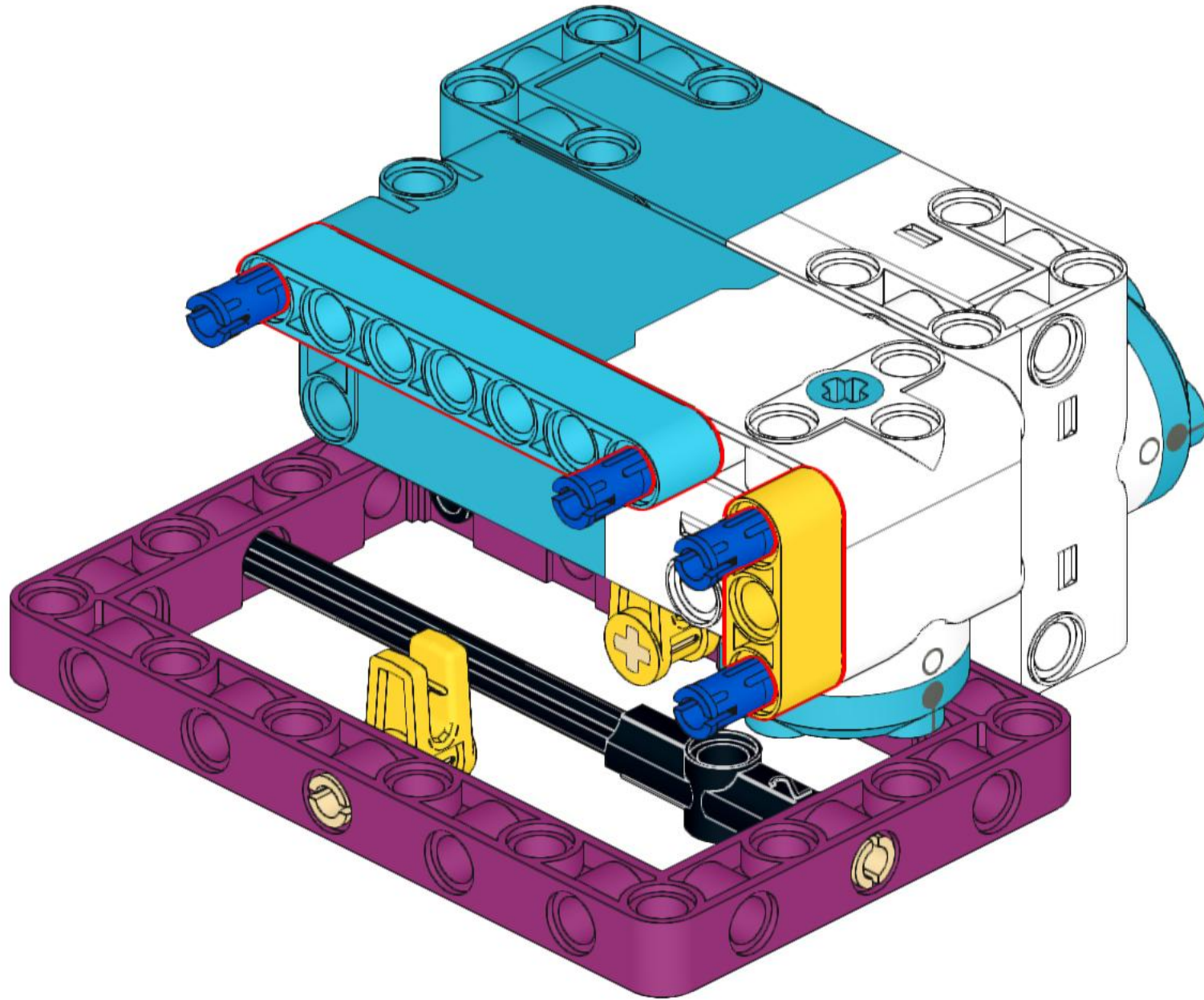
5



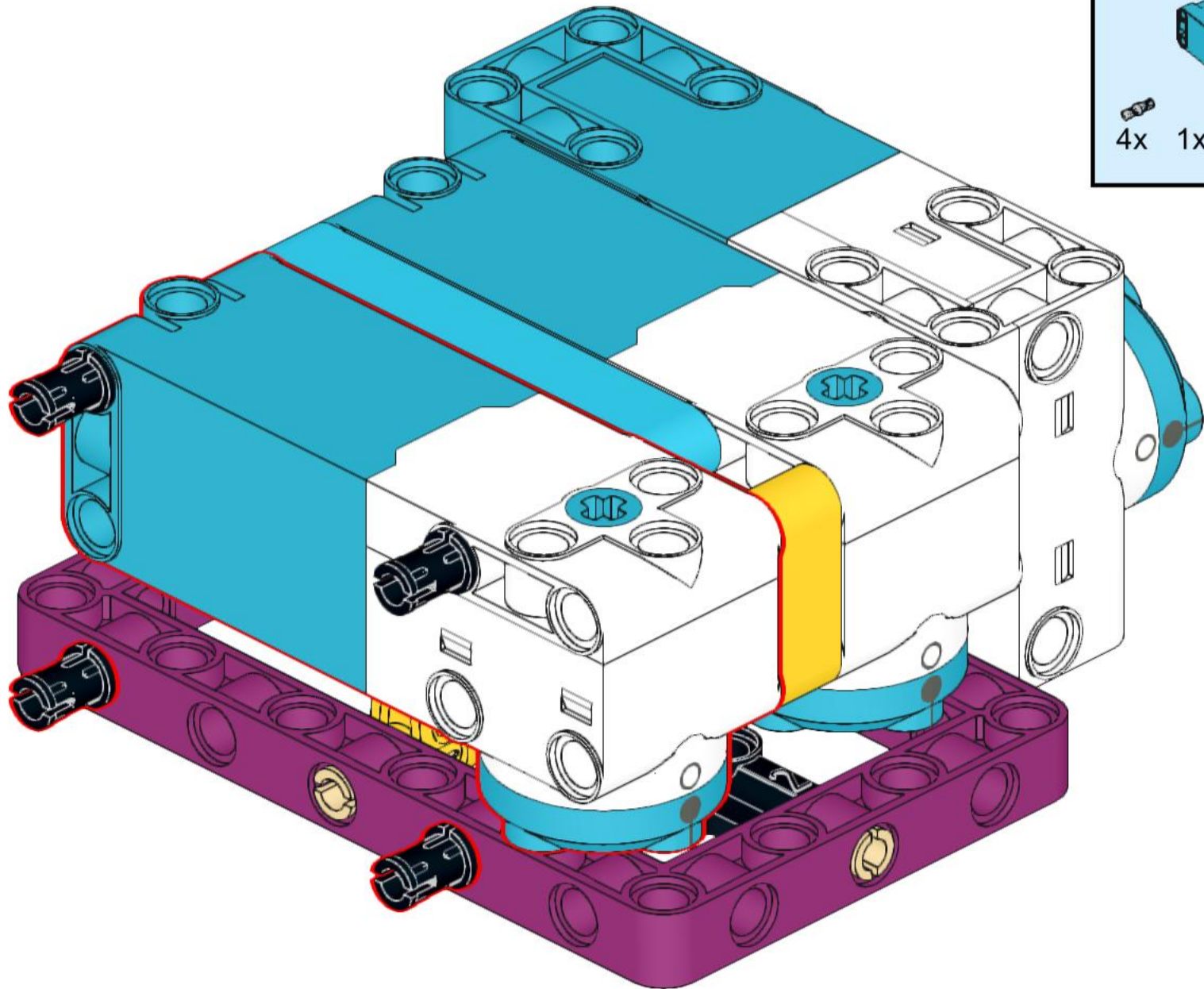
6



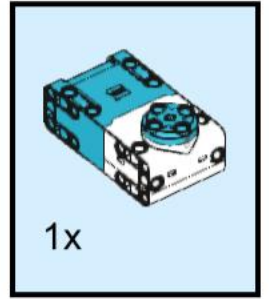
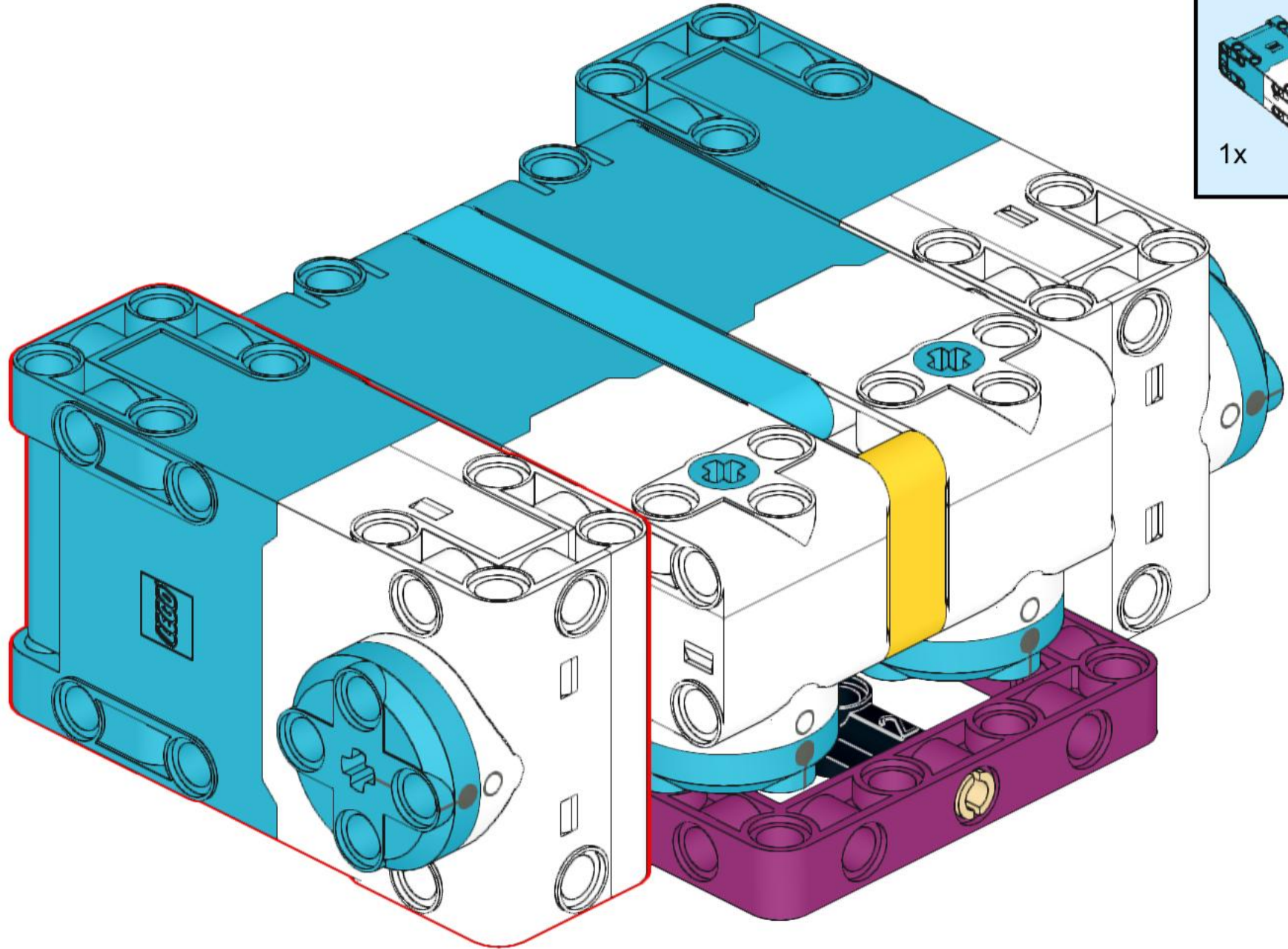
7



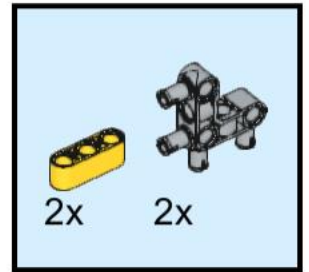
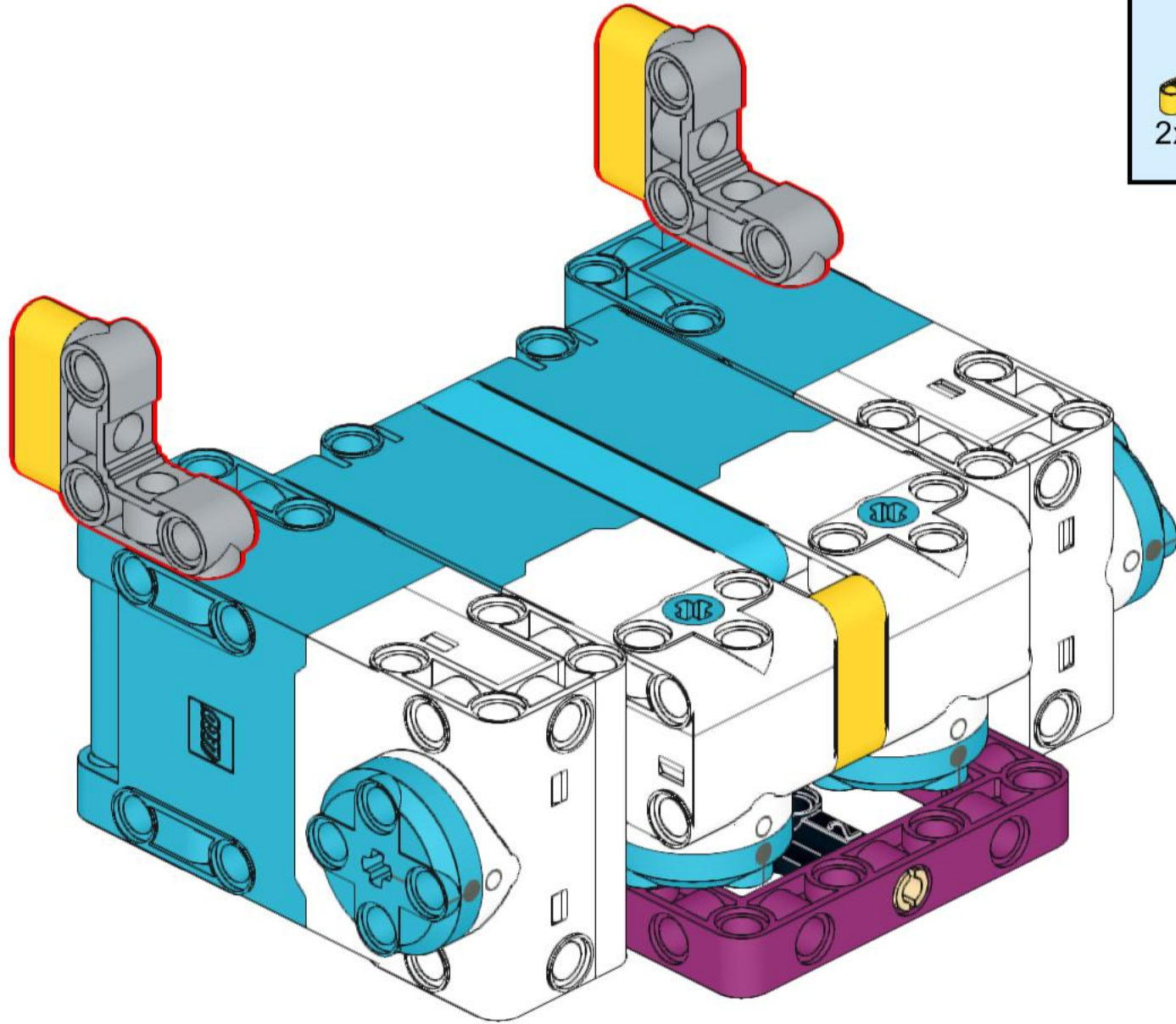
8



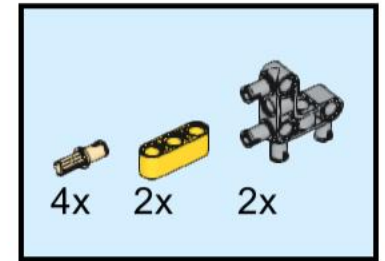
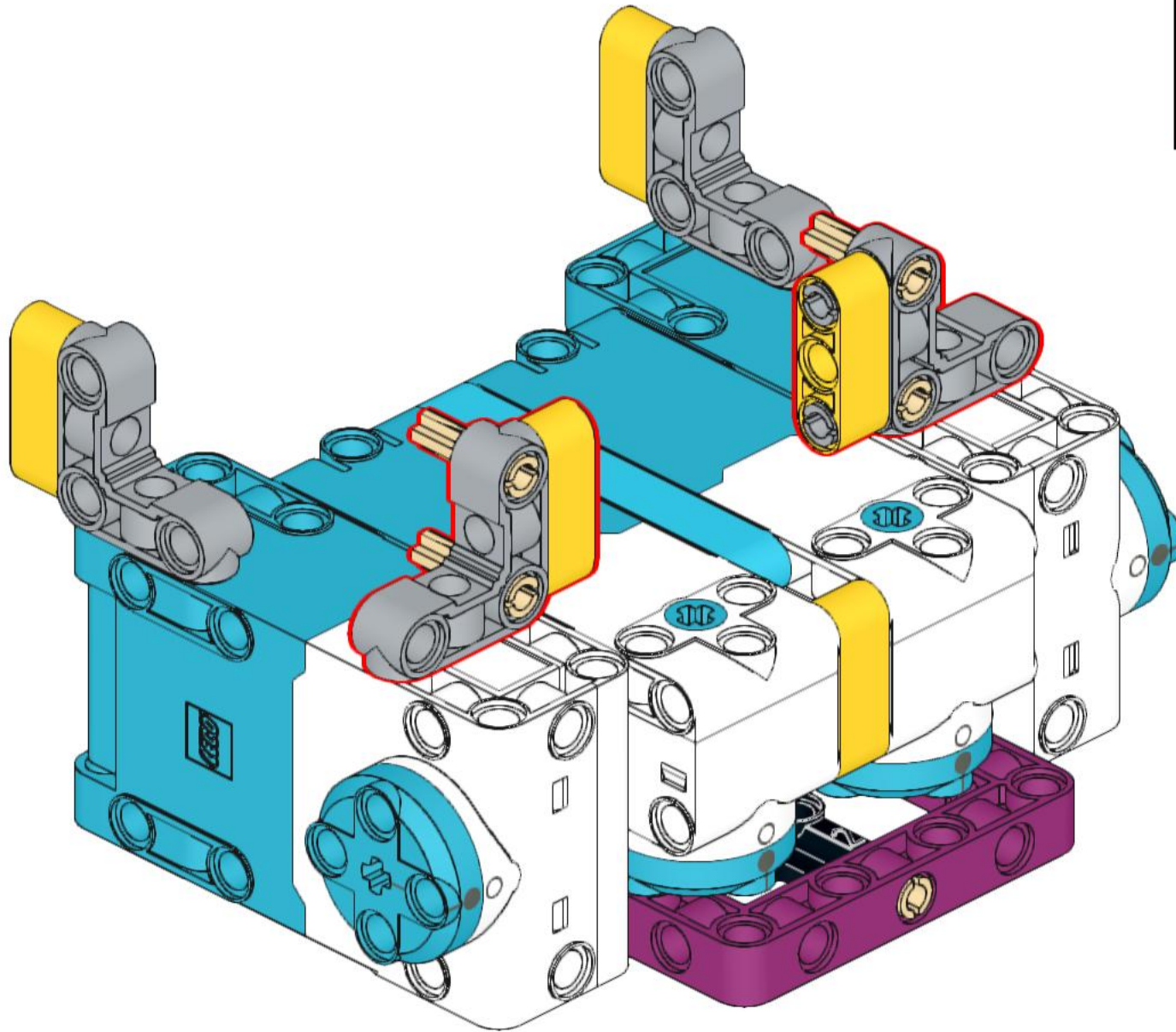
9



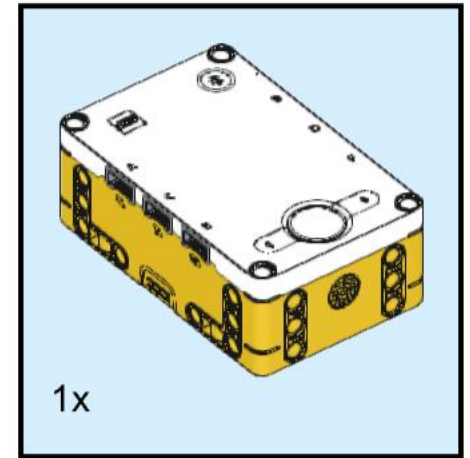
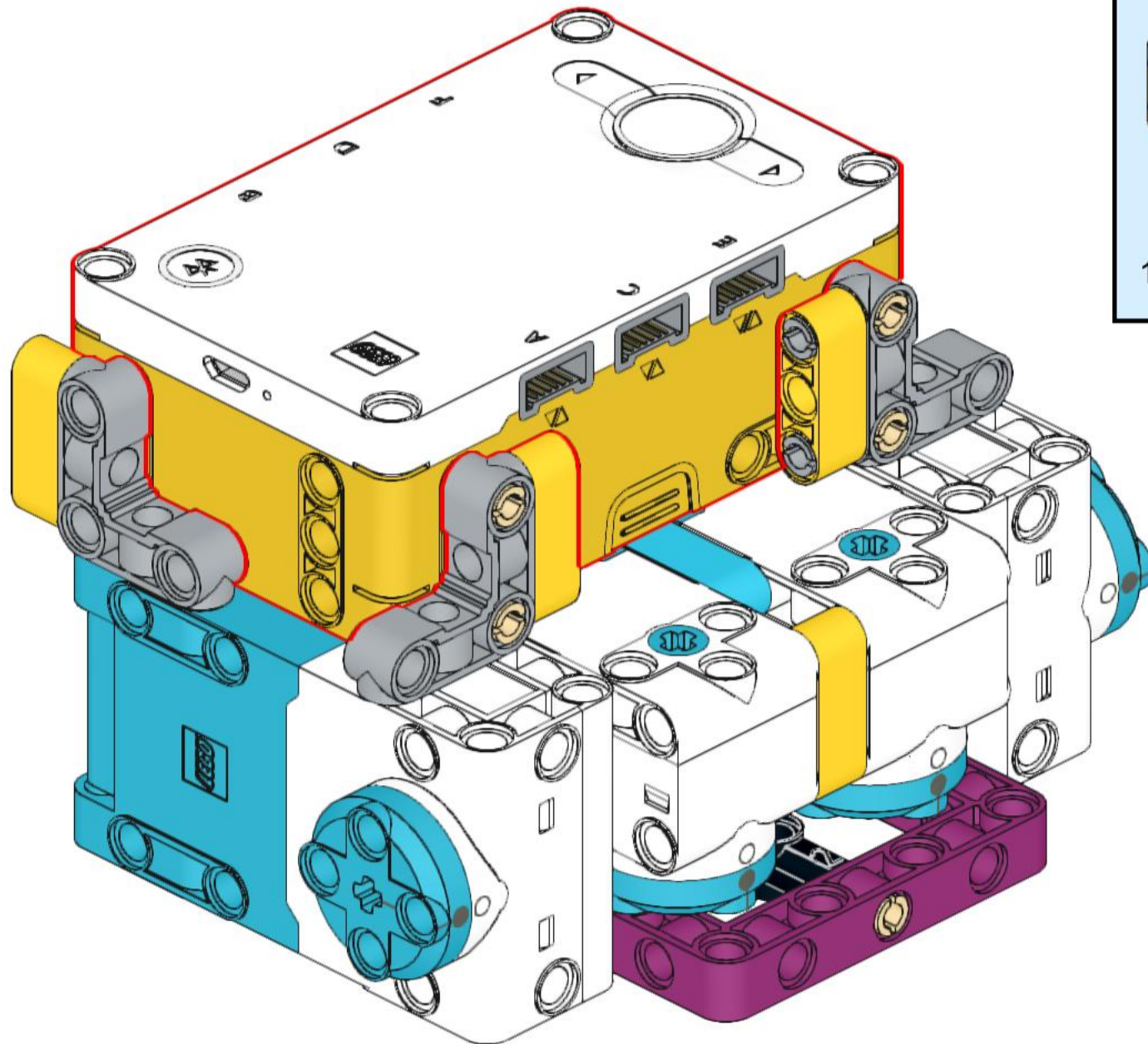
10



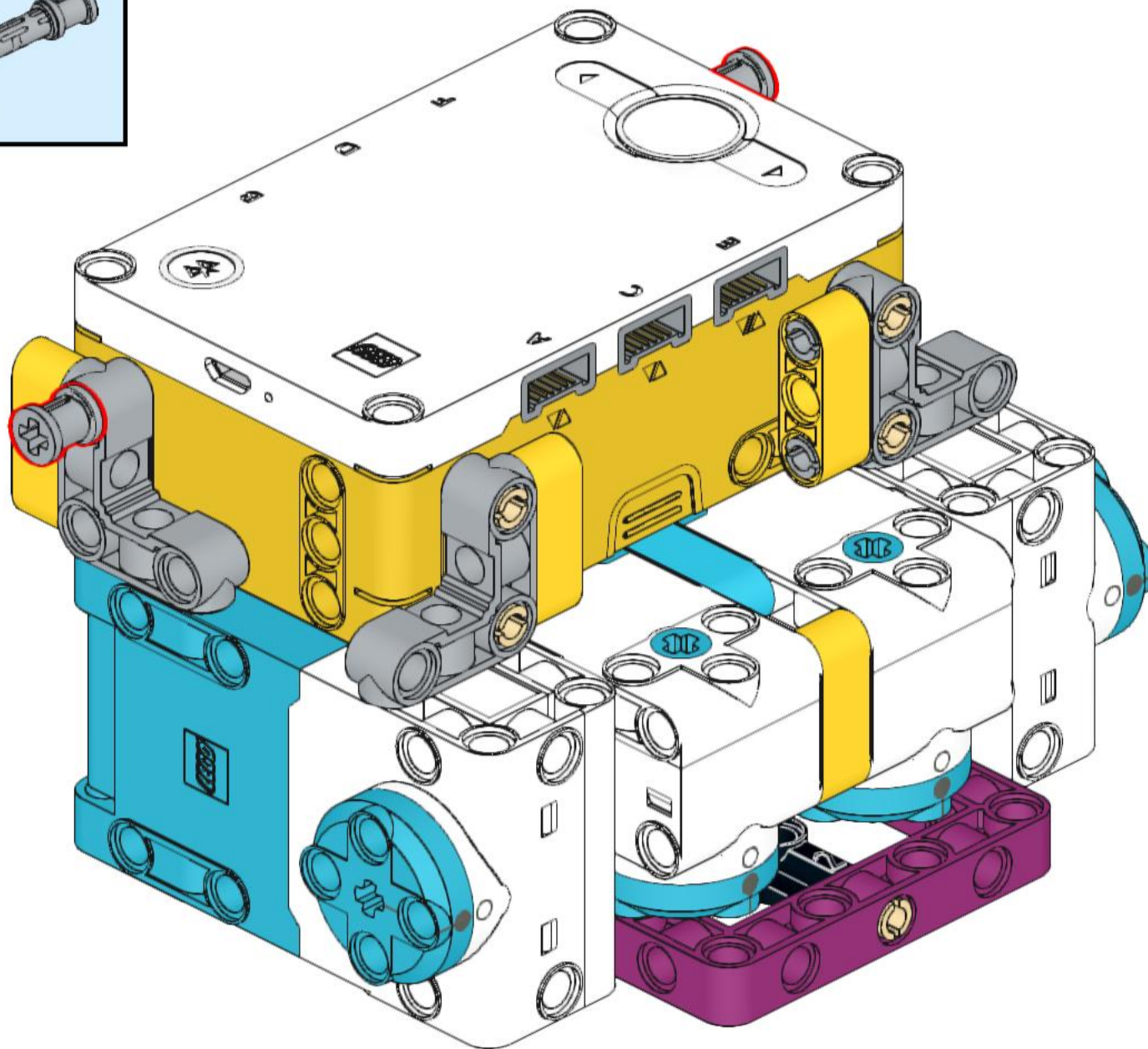
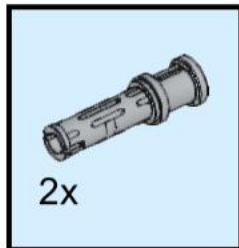
11



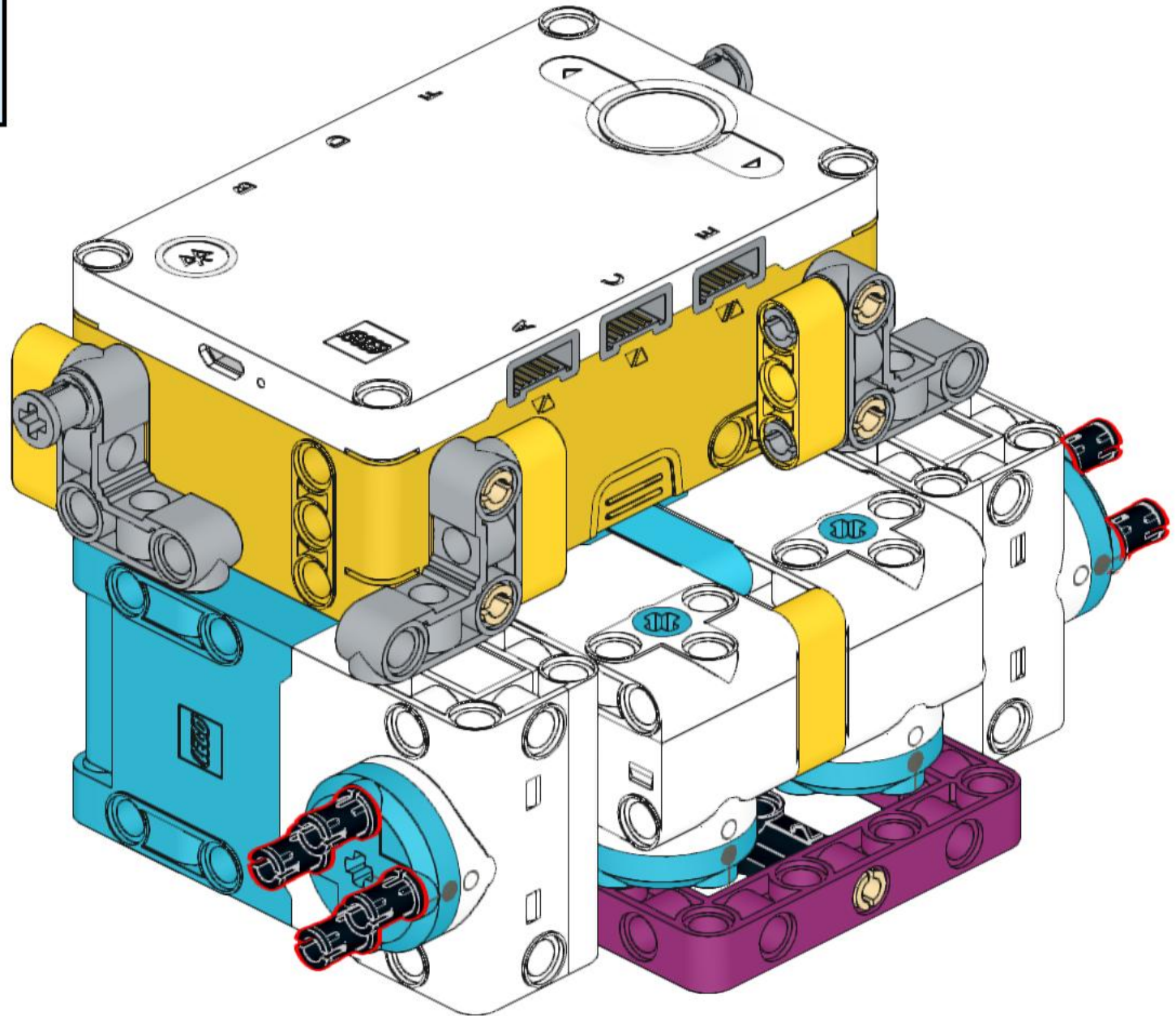
12



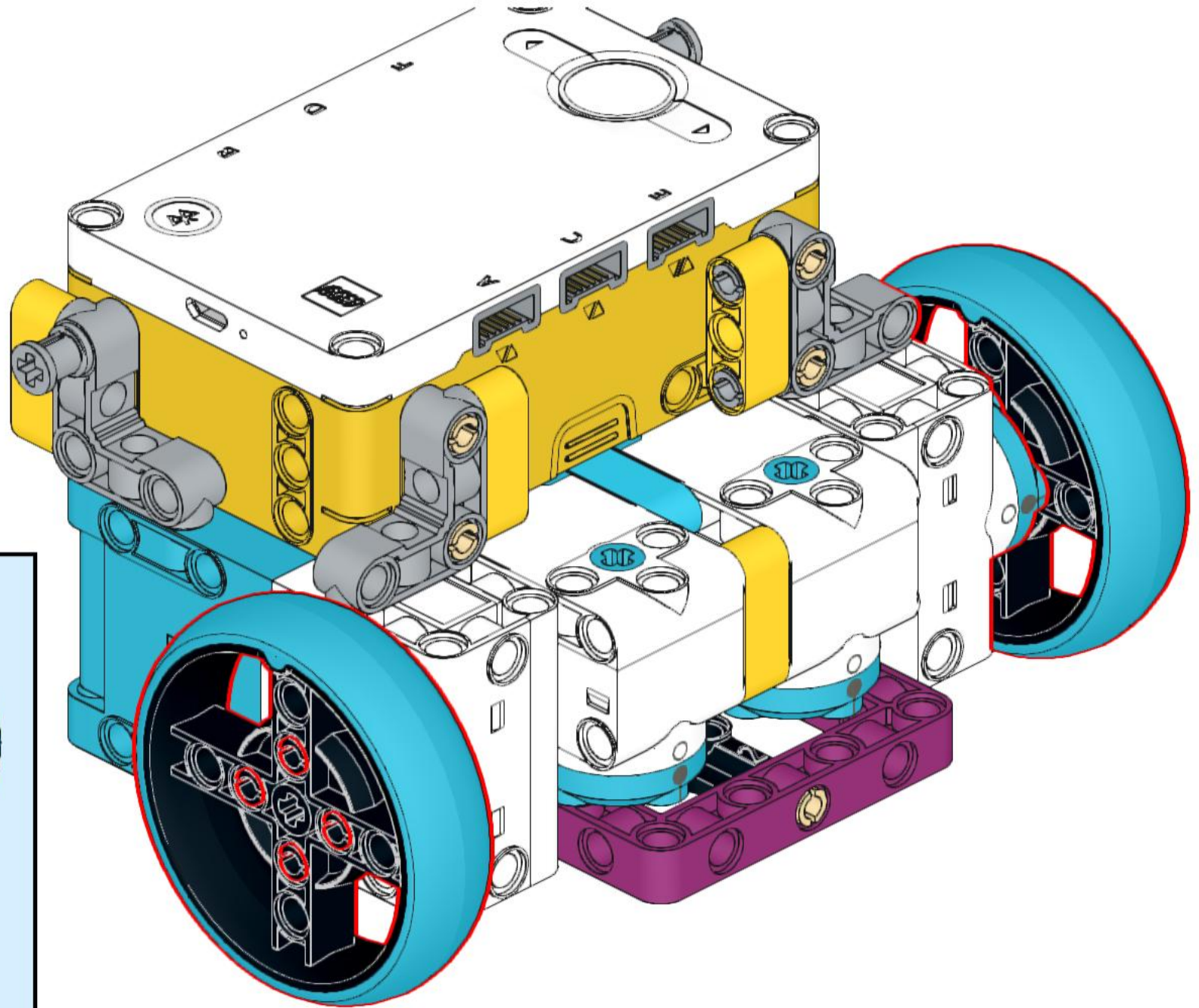
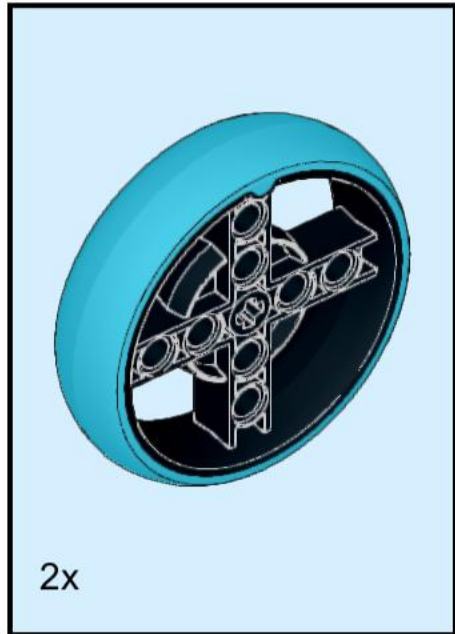
13



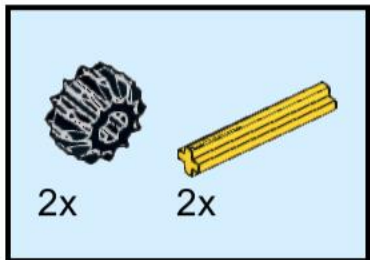
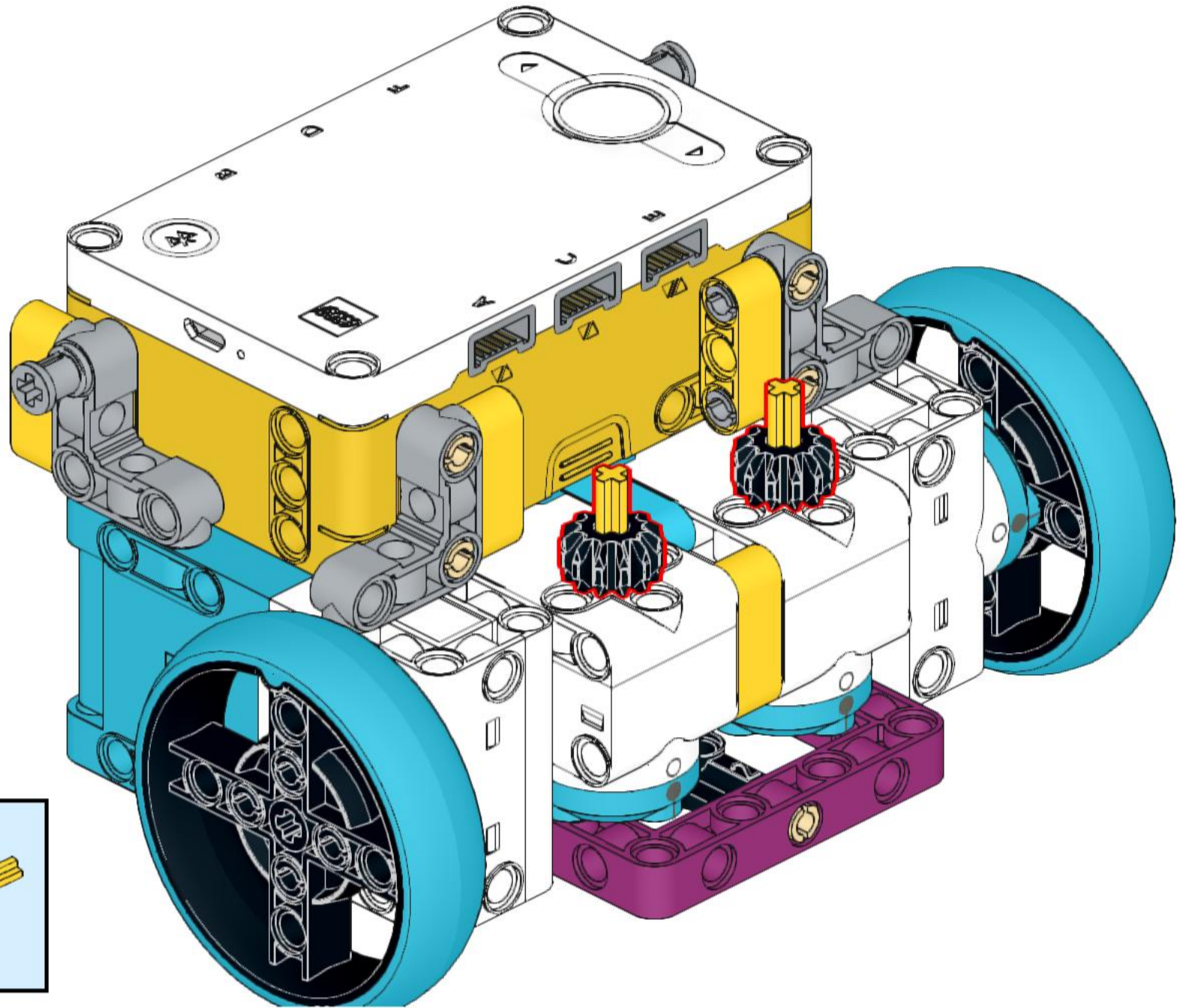
14



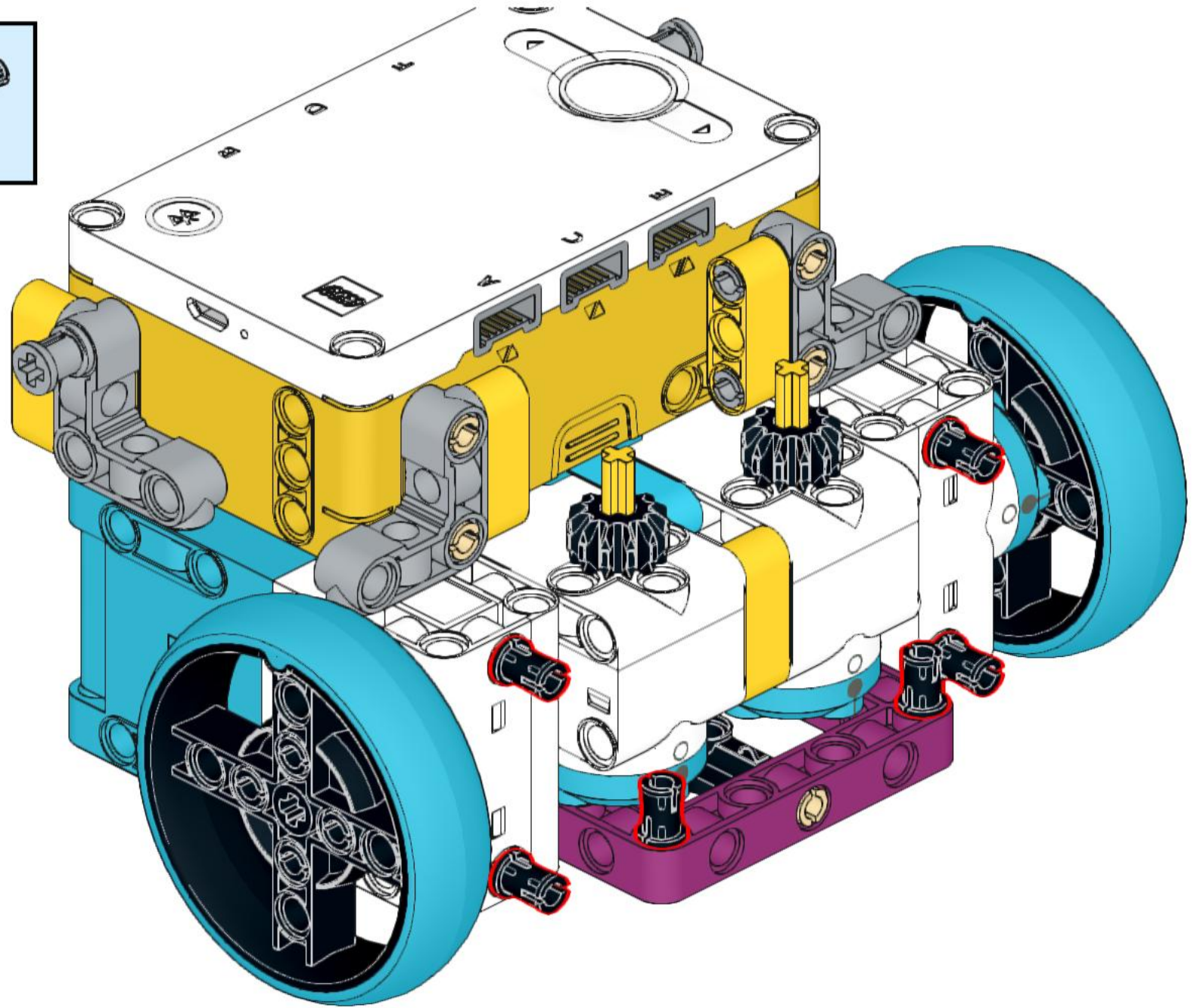
15



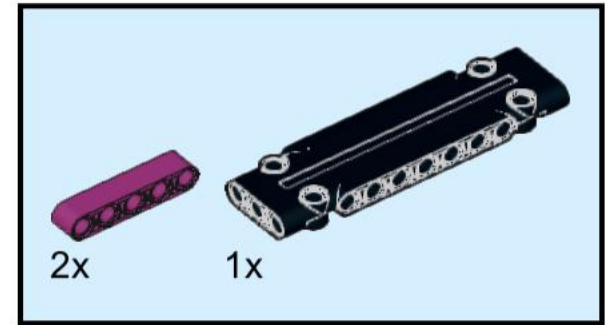
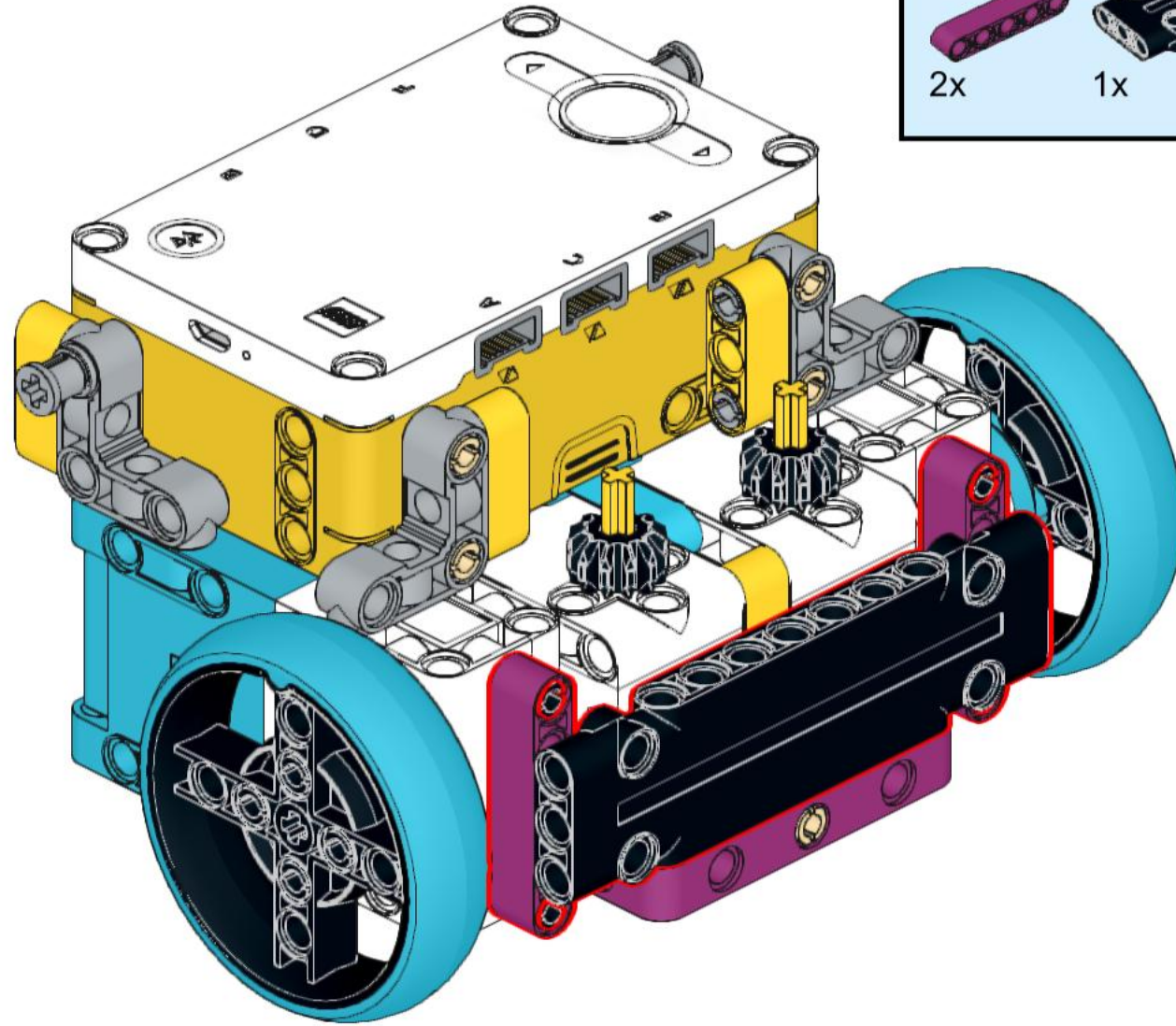
16



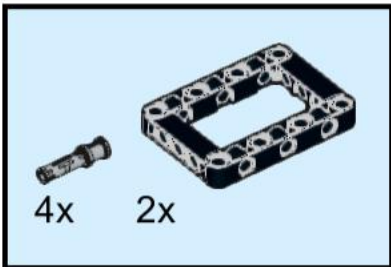
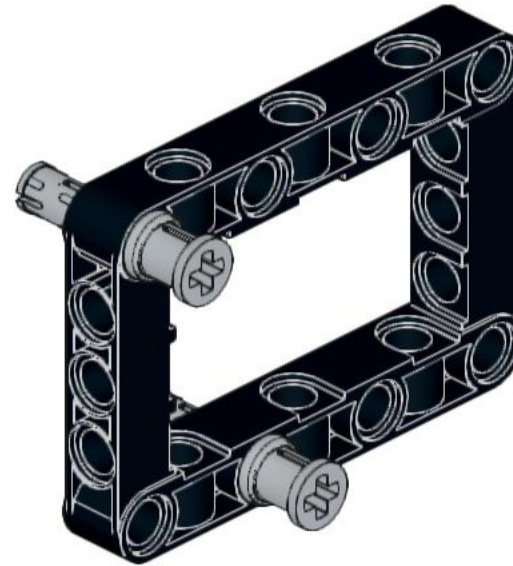
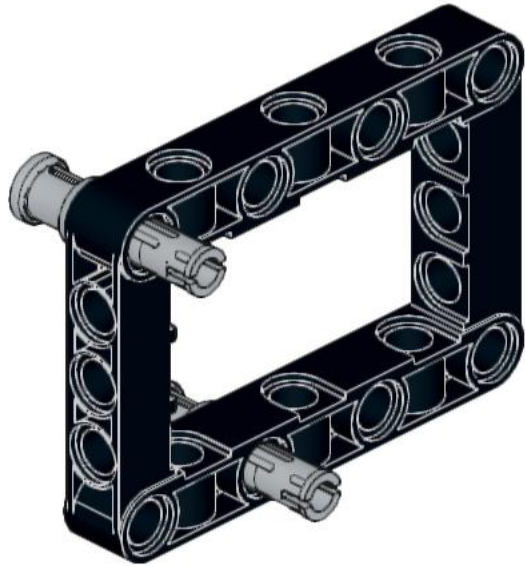
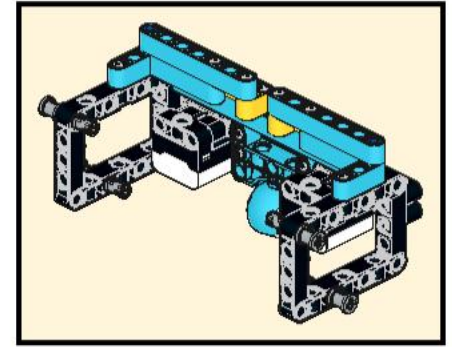
17



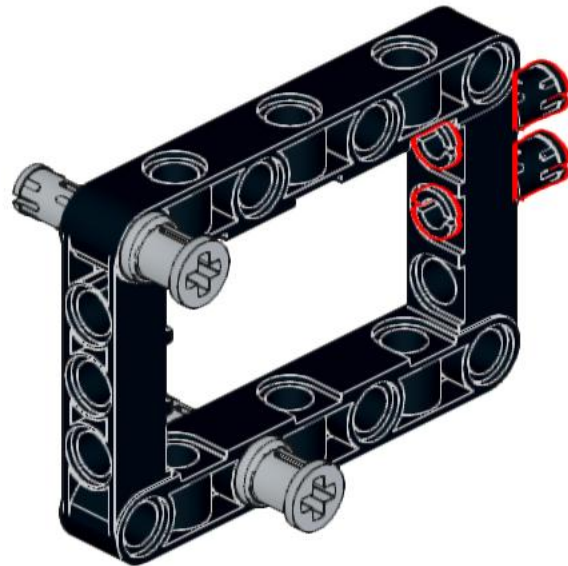
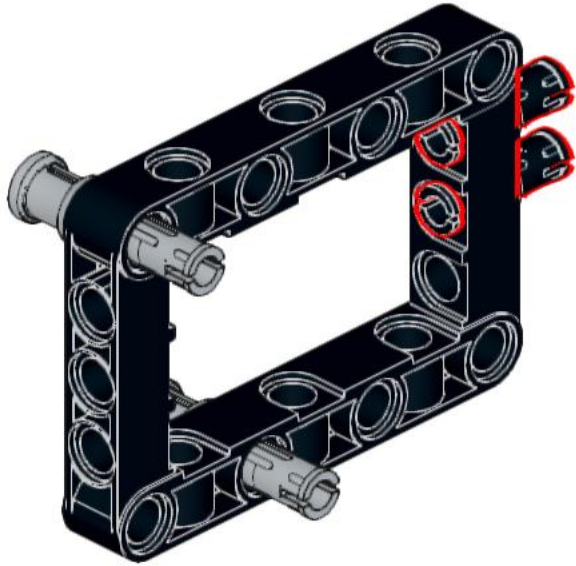
18



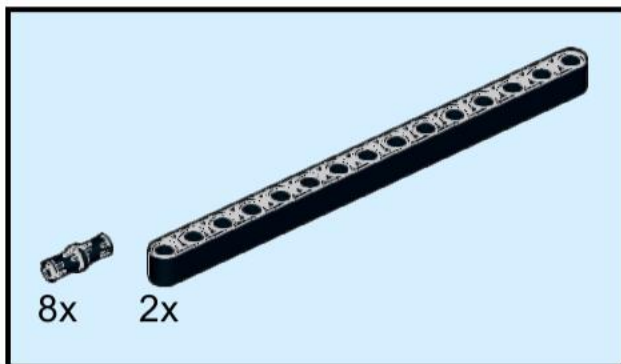
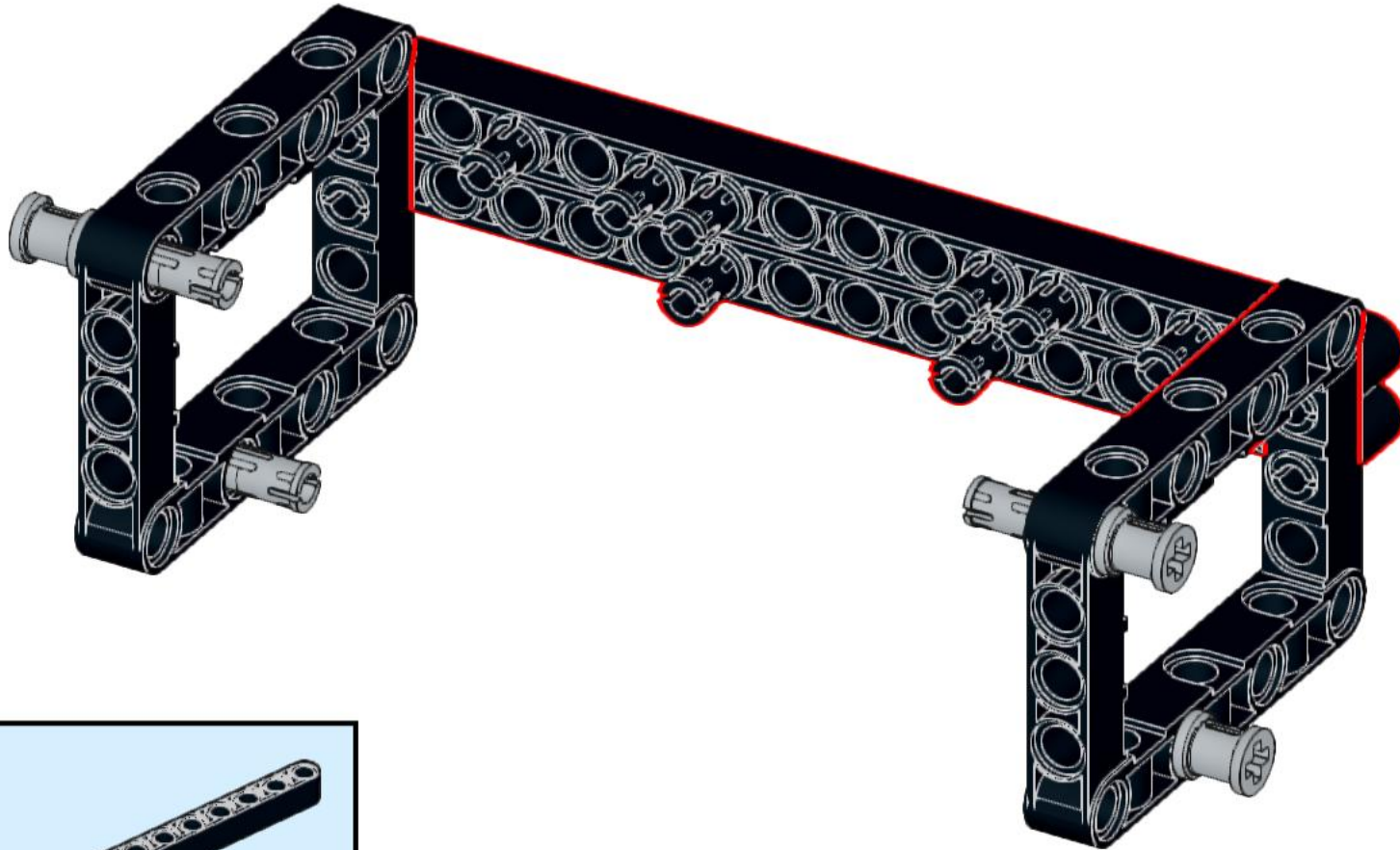
19



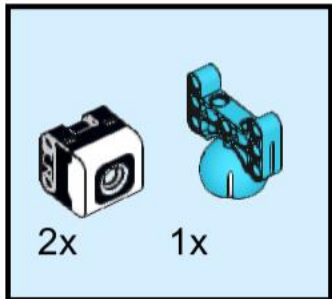
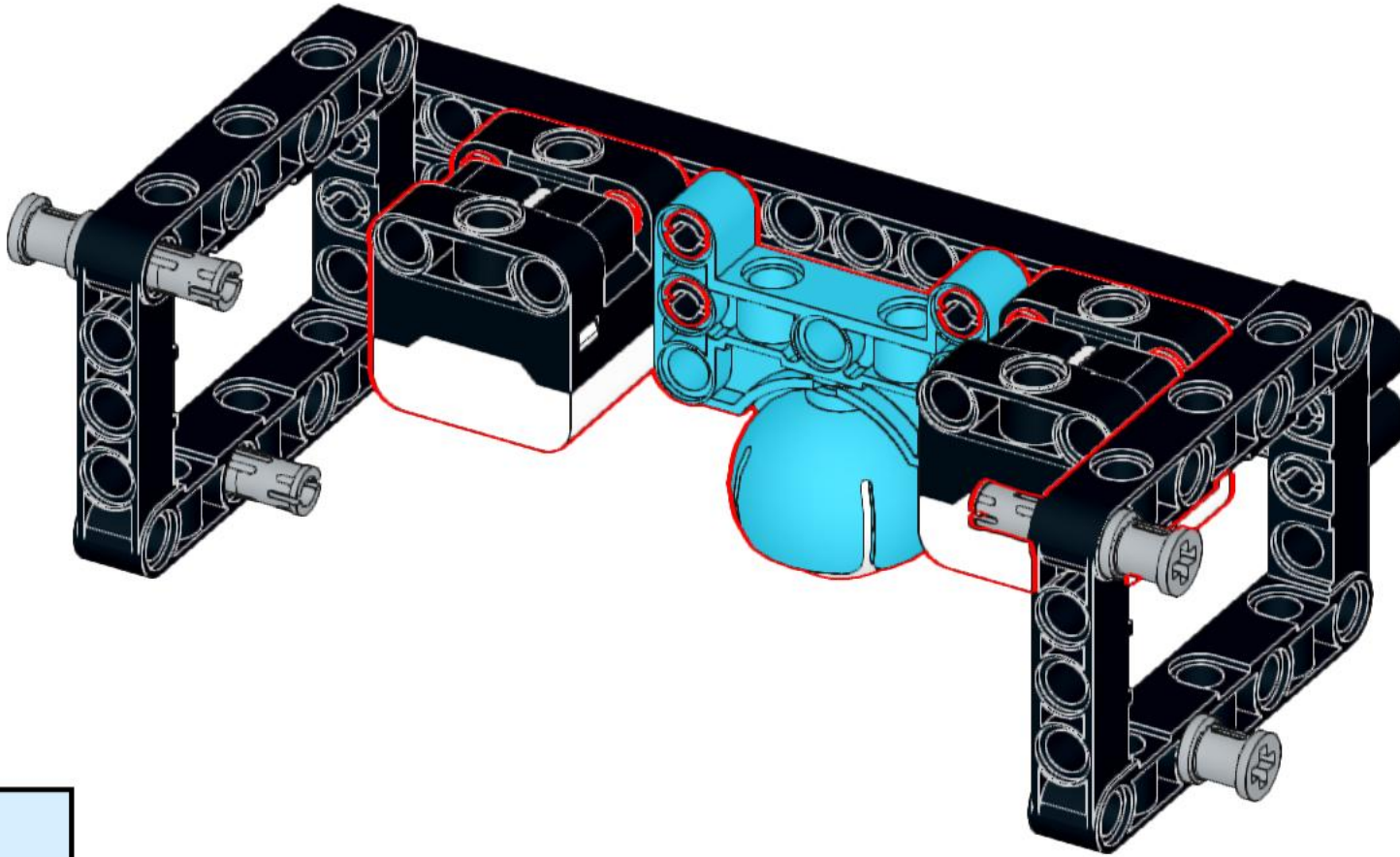
20



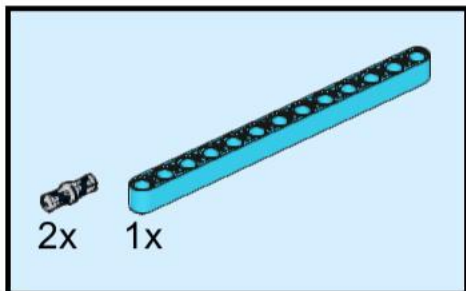
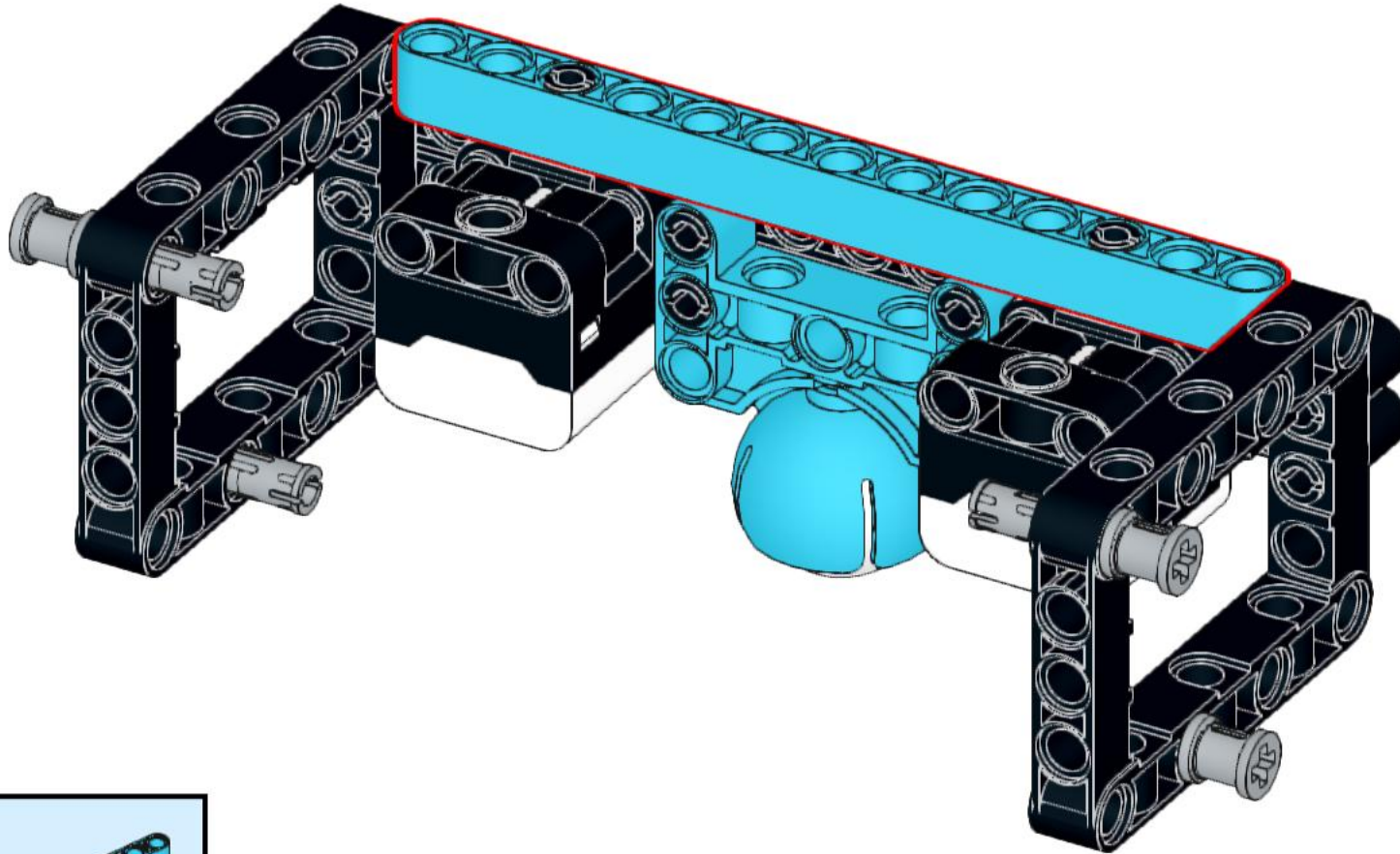
21



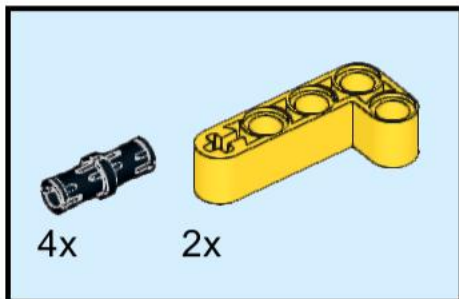
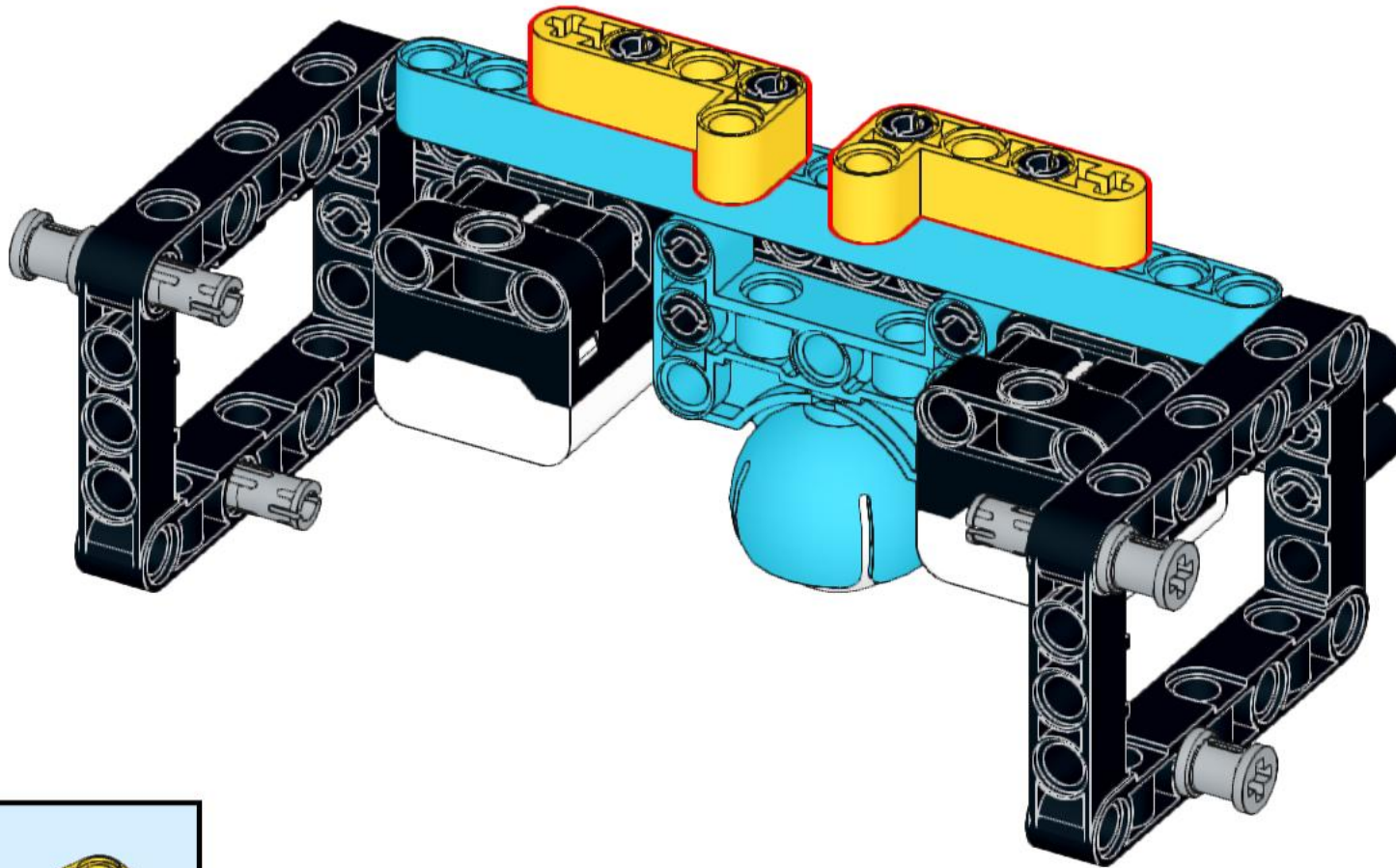
22



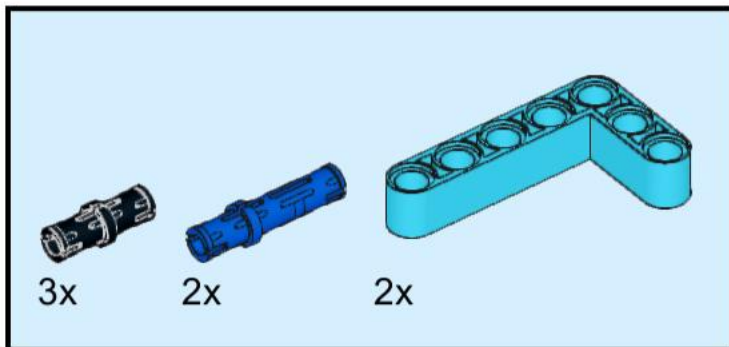
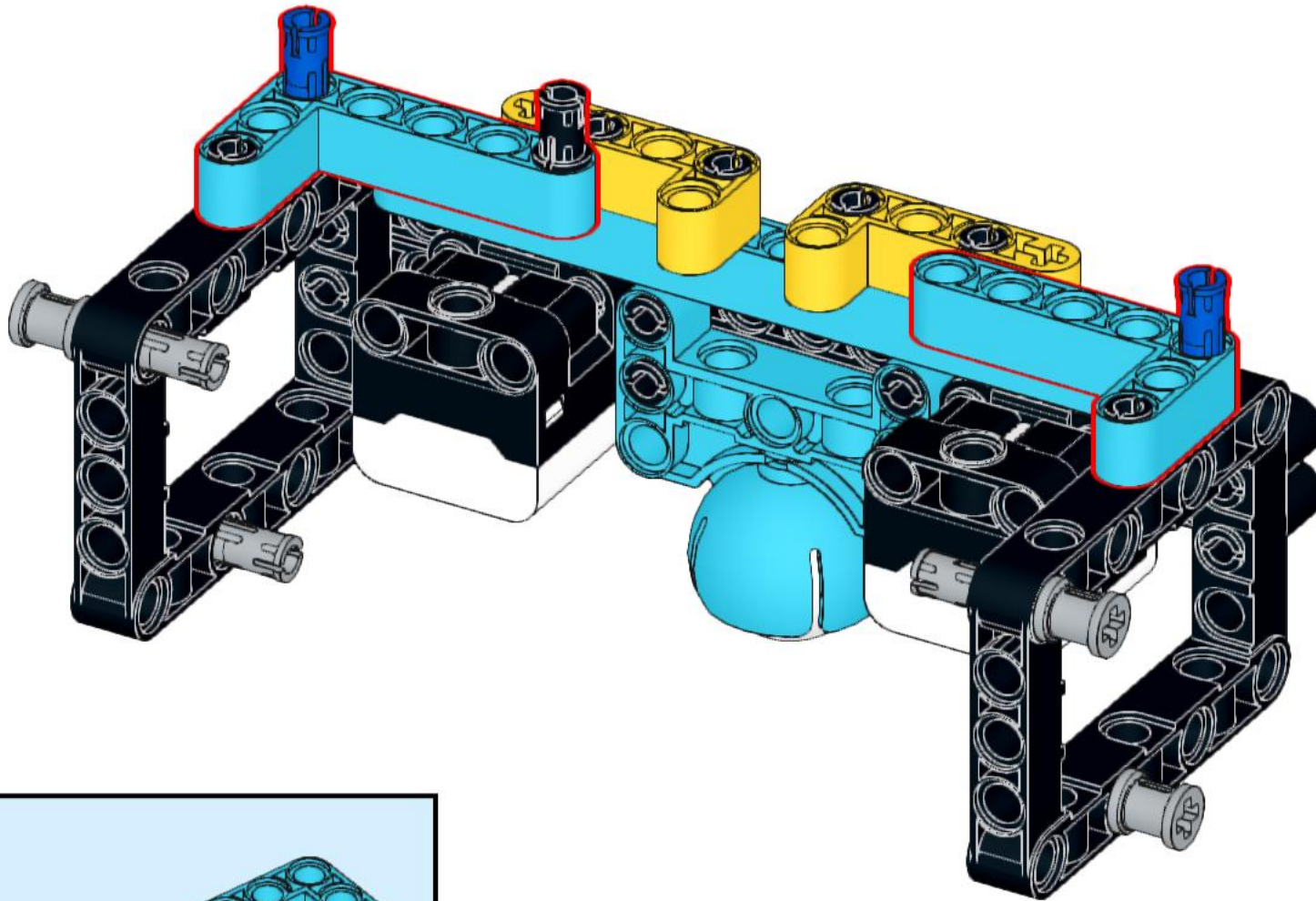
23



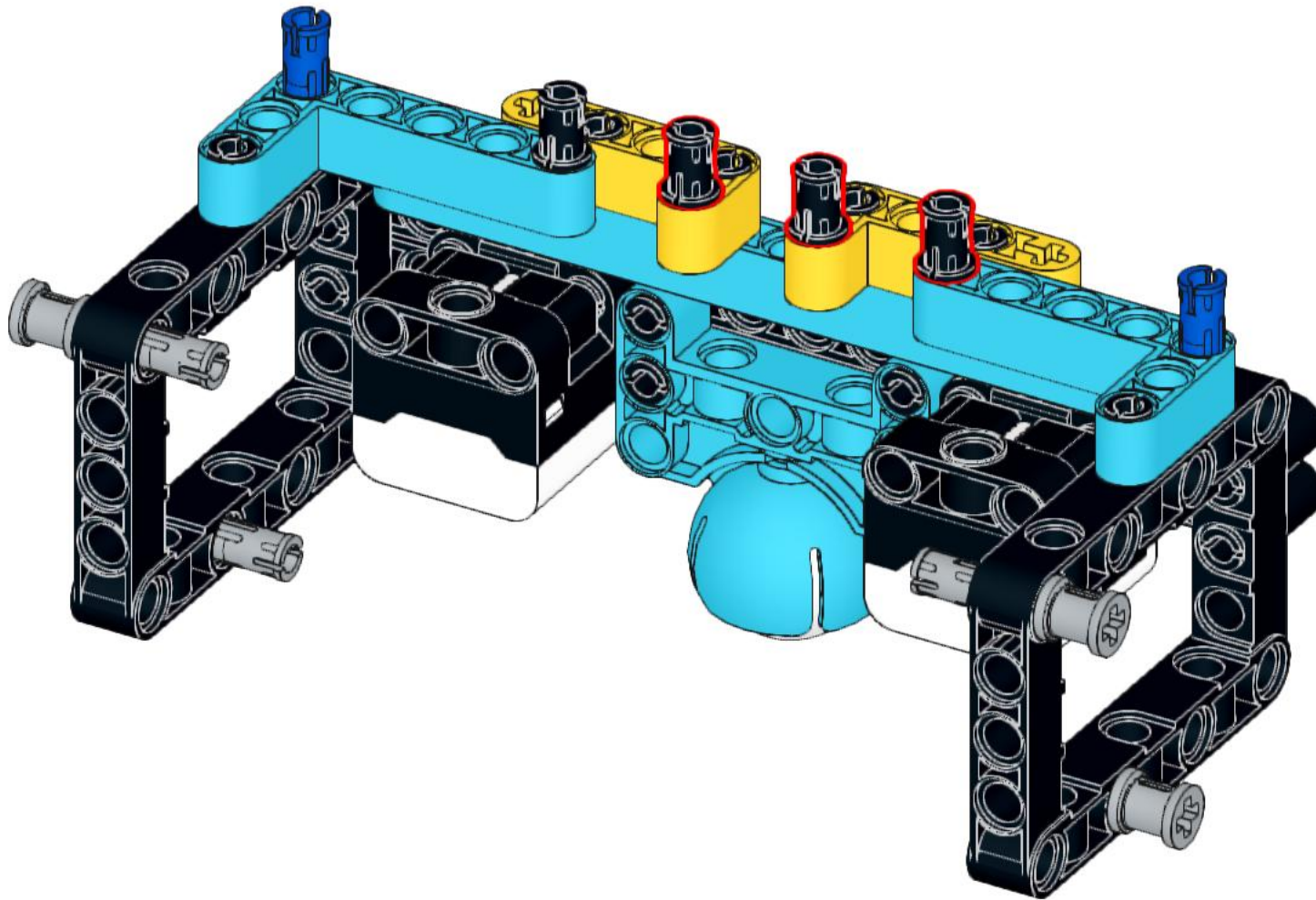
24



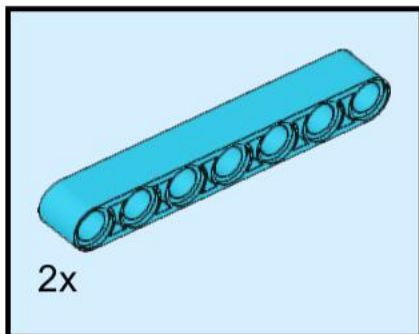
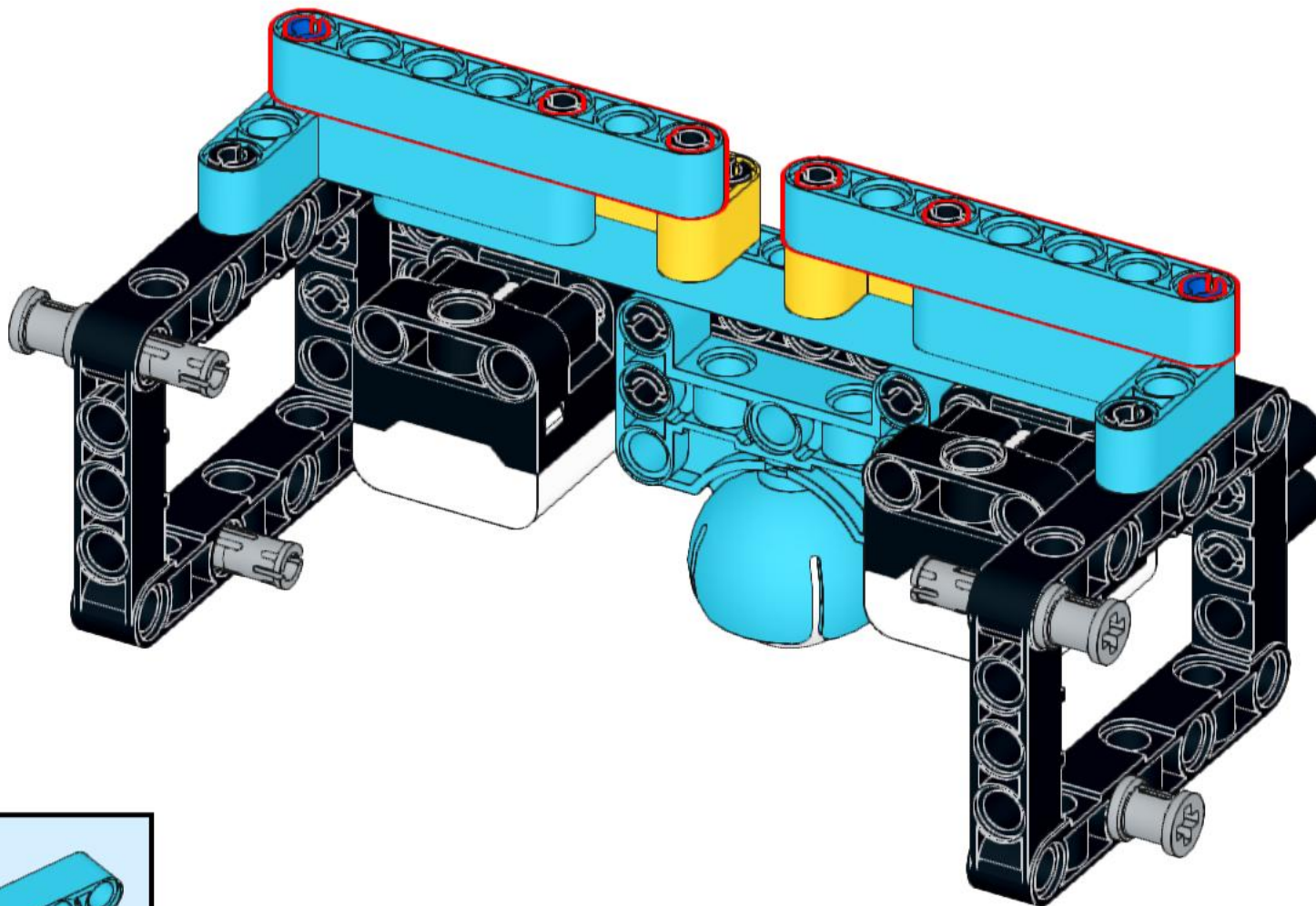
25



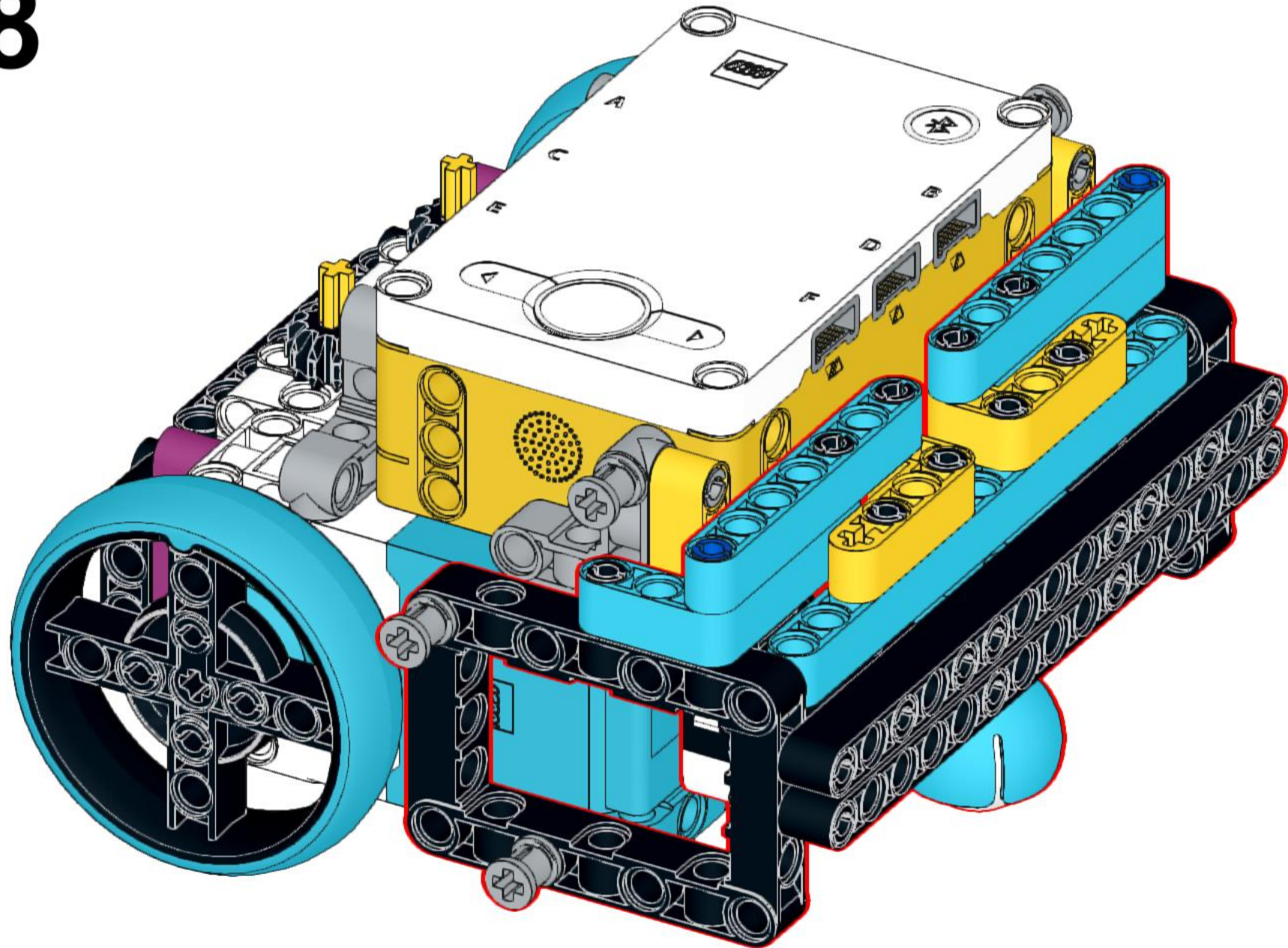
26

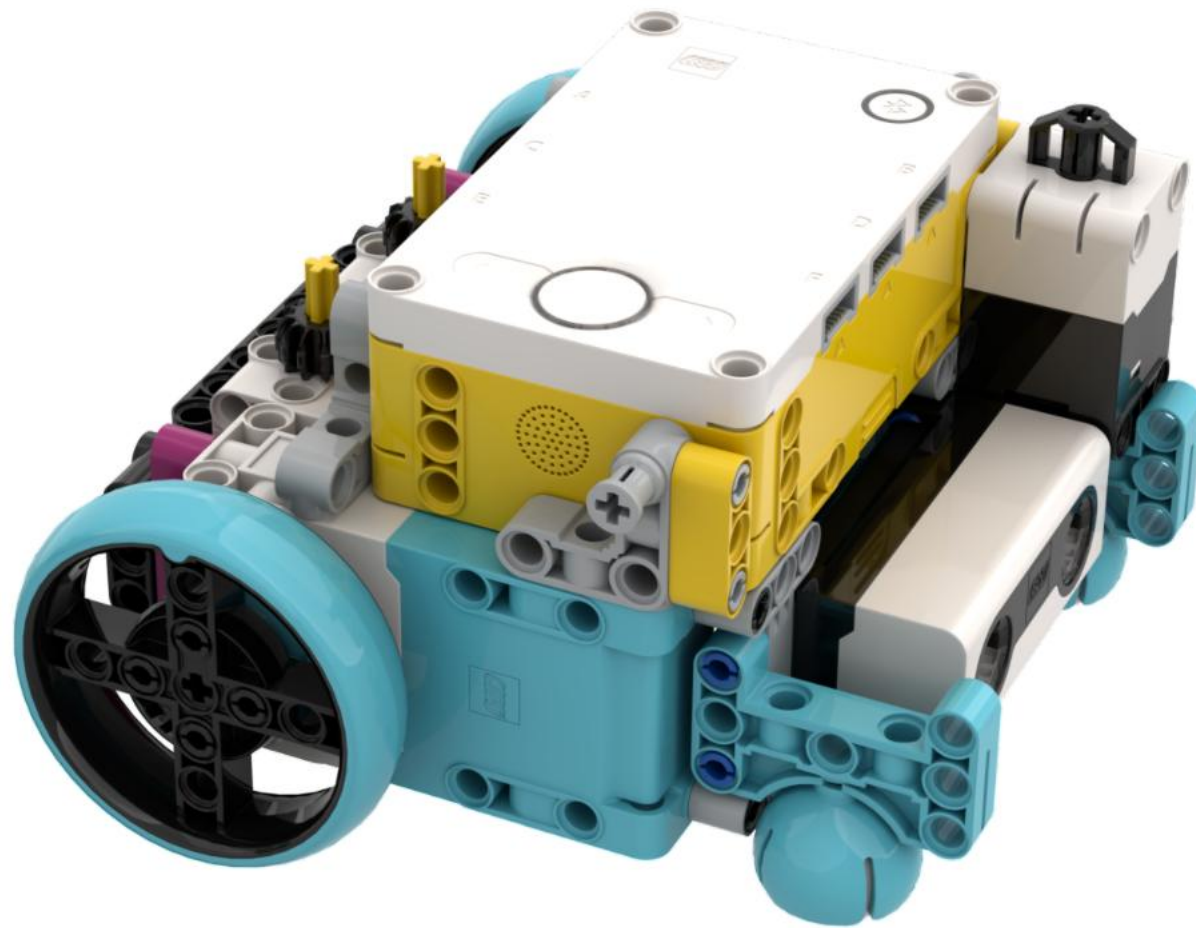


27



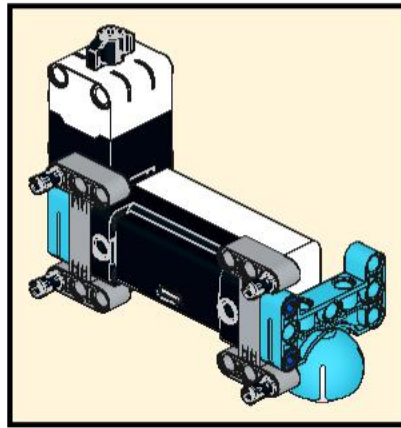
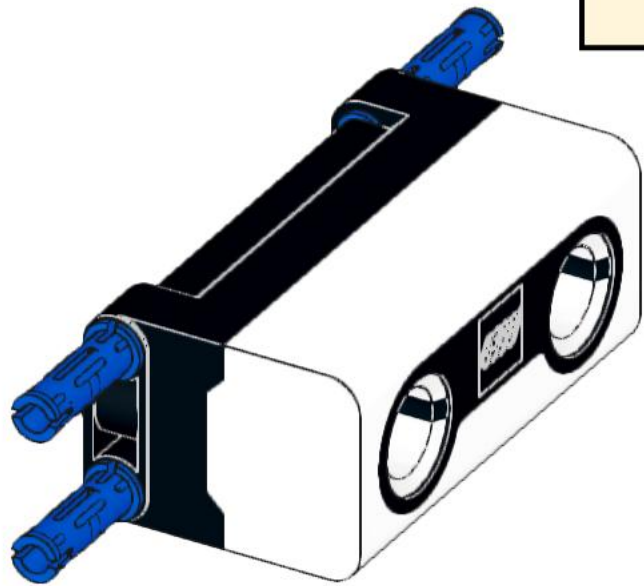
28



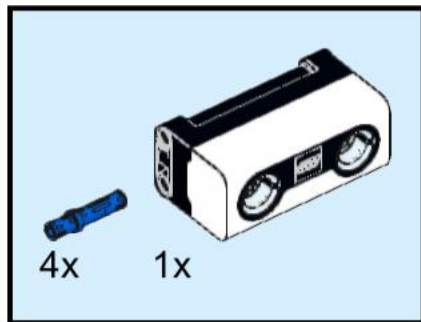
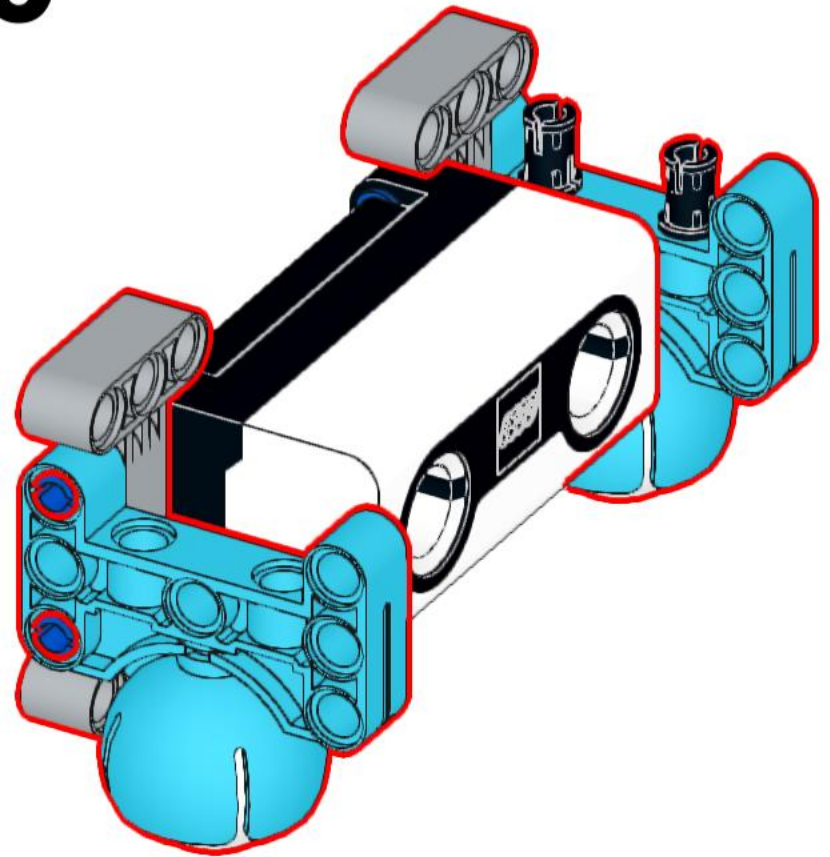


Alternative Sensor Module

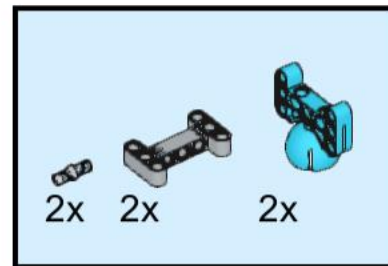
29



30

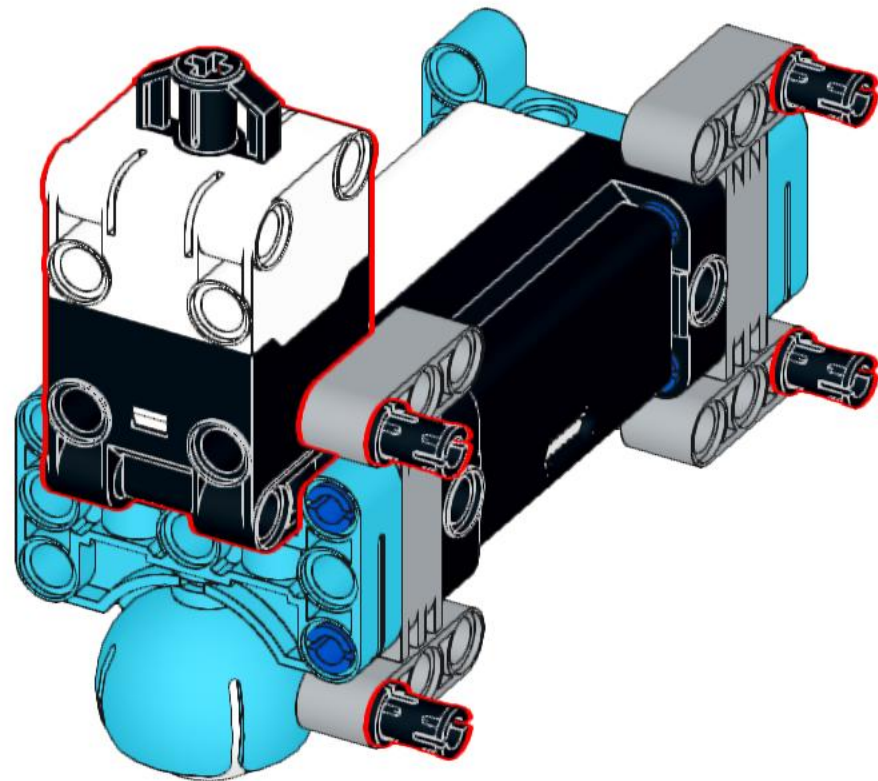
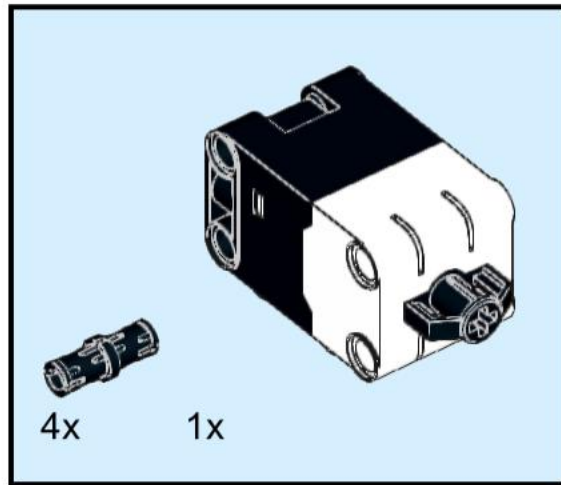


4x 1x

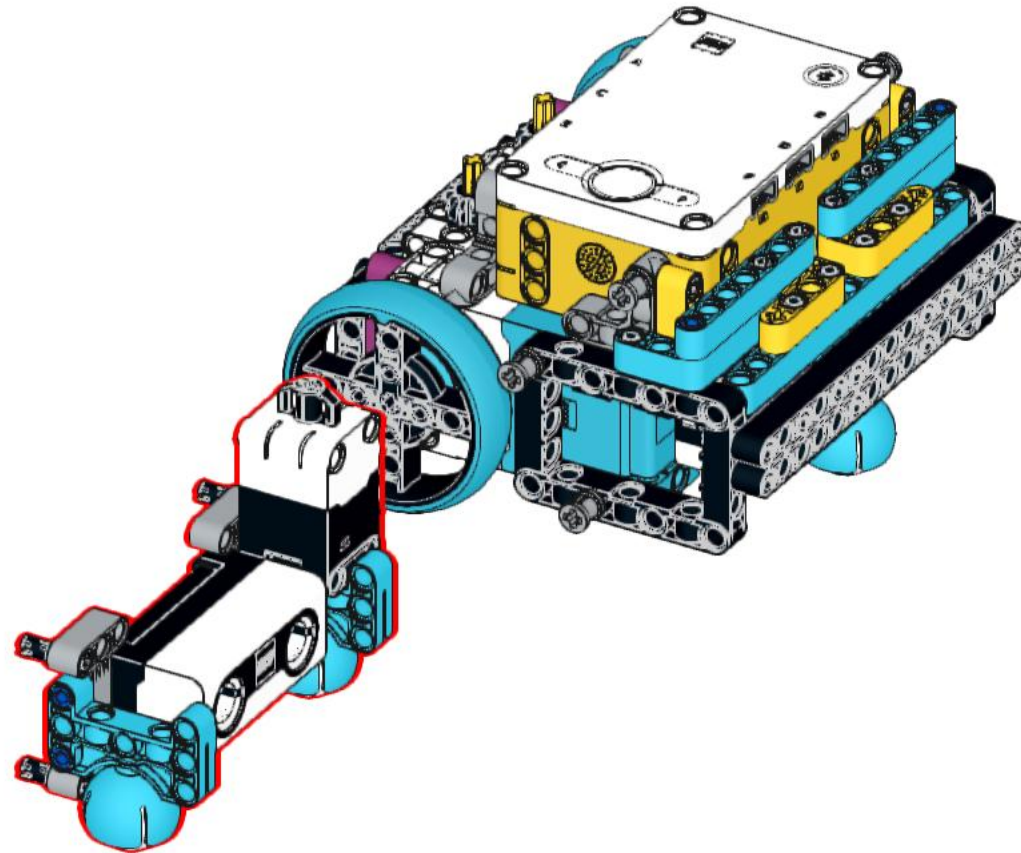


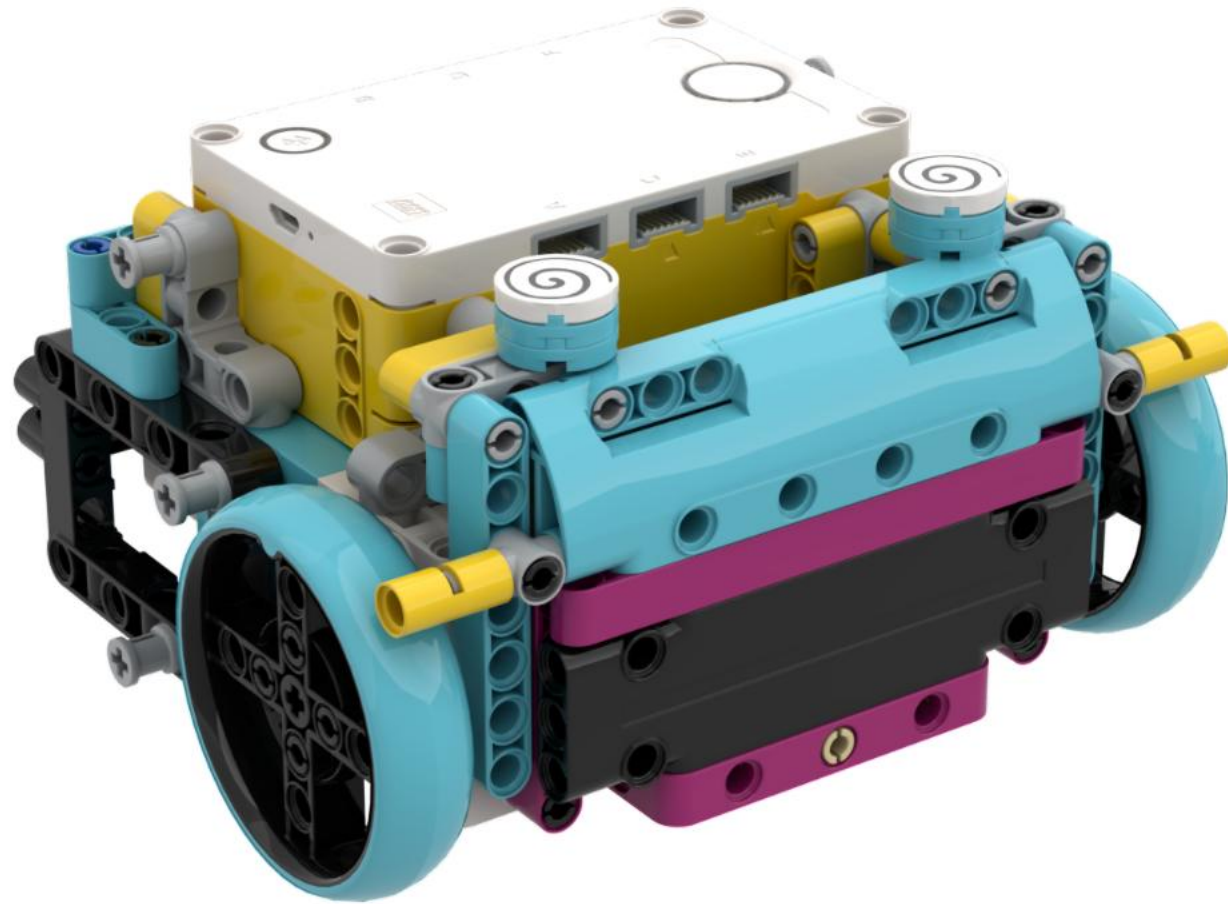
2x 2x 2x

31



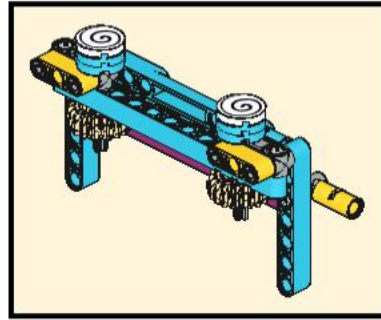
32



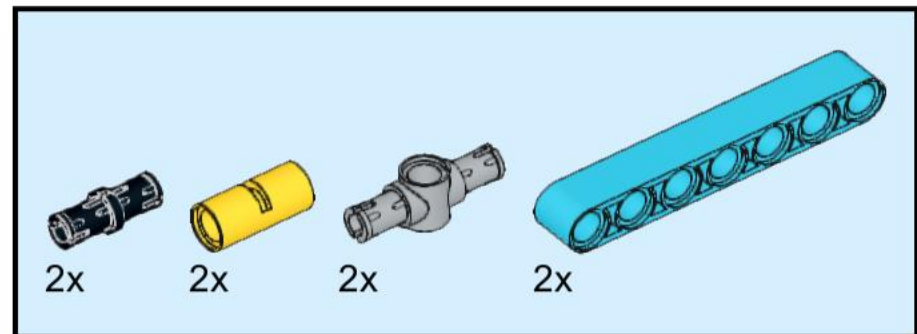
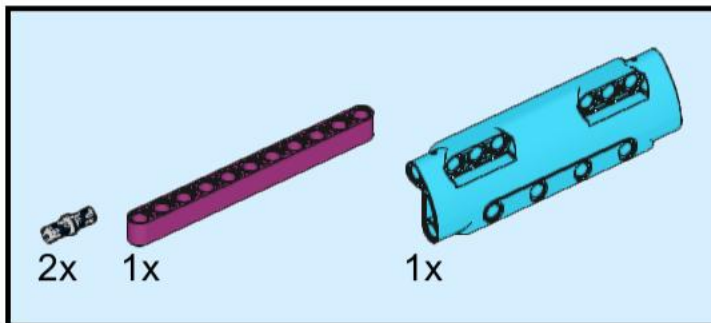
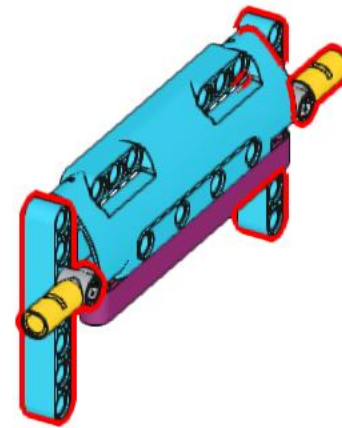
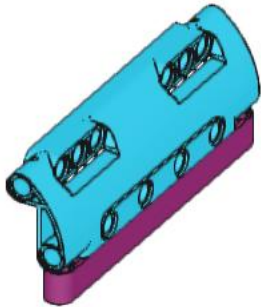


Attachment Module

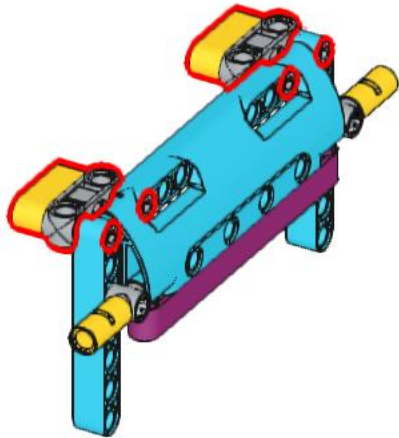
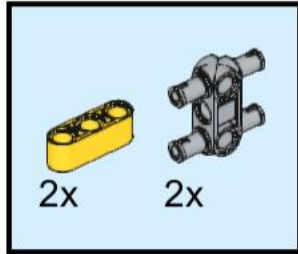
33



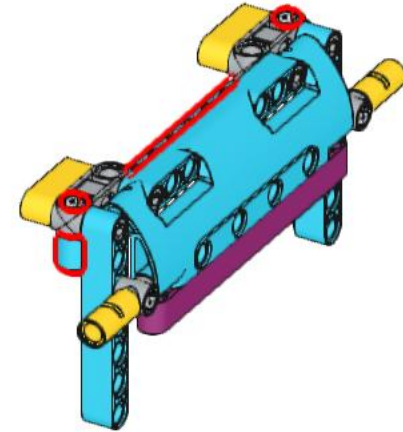
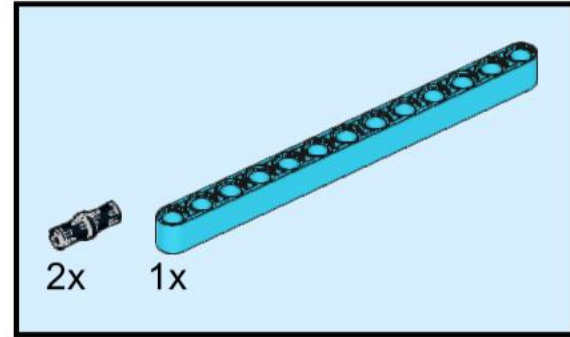
34



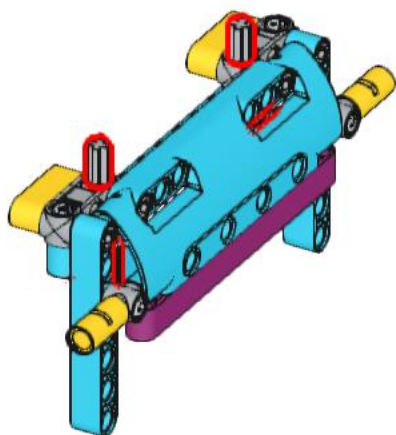
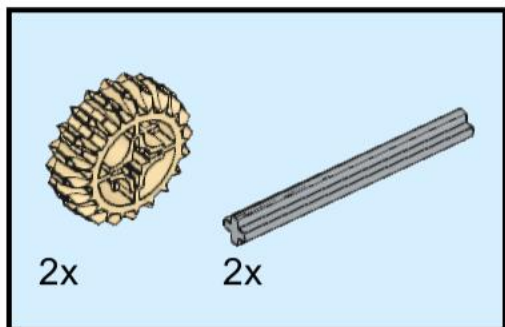
35



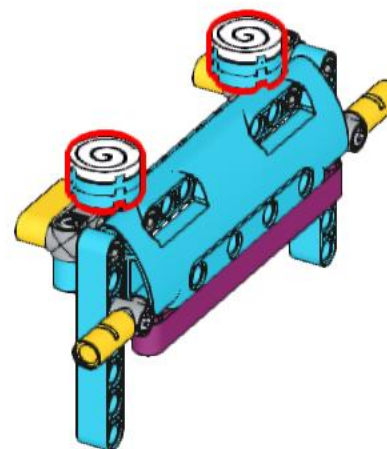
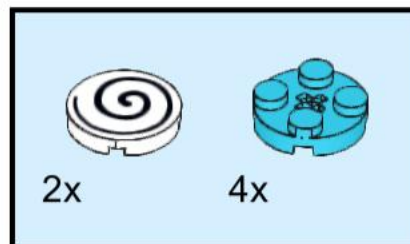
36



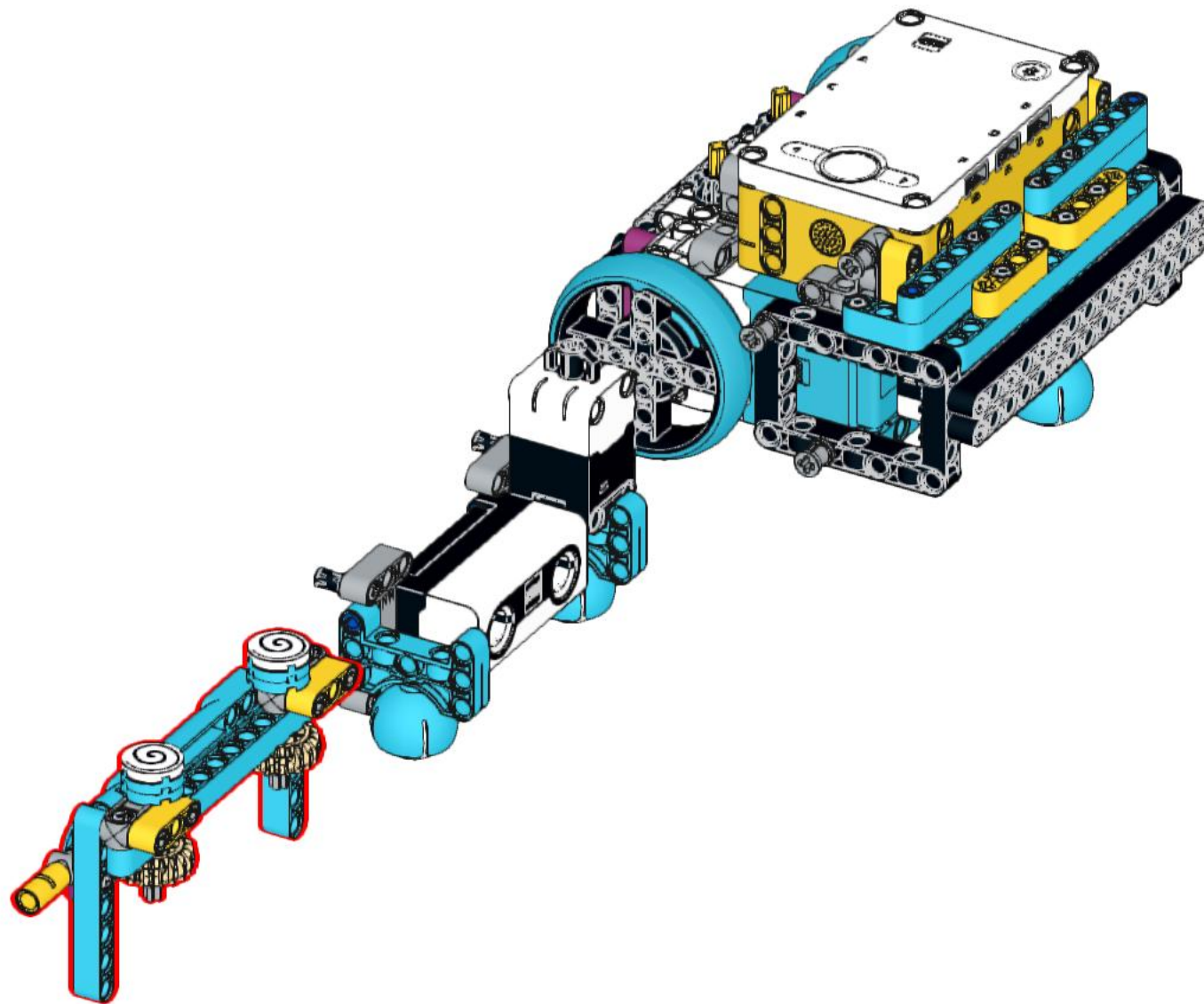
37



38



39



58x
2780, 11

2x
32270, 11

1x
32034, 11

1x
3707, 11

2x
64179, 11

2x

1x
15458, 11

2x
32278, 11

2x
87082, 86

6x
32054, 86

2x
48989, 86

2x
32073, 86

2x
14720, 86

4x
55615, 86

2x
14769pb209, 1

2x

1x

1x

2x

2x

1x

7x
3749, 2

2x
32269, 2

2x
49283, 3

2x
62462, 3

2x
4519, 3

7x
32523, 3

2x
32140, 3

4x
4032, 156

2x
32526, 156

5x
32524, 156

3x

1x
11954, 156

2x
41239, 156

10x
6558, 7

2x
32316, 71

1x
32525, 71

1x
39794, 71